

US00D841500S

(12) **United States Design Patent** (10) **Patent No.:** **US D841,500 S**
Kang (45) **Date of Patent:** **** Feb. 26, 2019**

(54) **SPECTROPHOTOMETER**

(71) Applicant: **SHIMADZU CORPORATION**, Kyoto (JP)

(72) Inventor: **Hyeri Kang**, Kyoto (JP)

(73) Assignee: **SHIMADZU CORPORATION**, Kyoto (JP)

(**) Term: **15 Years**

(21) Appl. No.: **29/615,534**

(22) Filed: **Aug. 30, 2017**

(51) **LOC (11) Cl.** **10-04**

(52) **U.S. Cl.**

USPC **D10/81**; D24/216

(58) **Field of Classification Search**

USPC D10/81; D24/216, 232, 233, 234

CPC A01C 21/007; G01J 3/427; G01J 3/433;

G01J 3/00; G01J 3/0202; G01J 3/0205;

G01J 3/0208; G01J 3/021; G01J 3/0213;

G01J 3/0216; G01J 3/0218; G01J 3/0221;

G01J 3/0224; G01J 3/0227; G01J 3/0229;

G01J 3/0232; G01J 3/0235; G01J 3/0237;

G01J 3/024; G01J 3/0243; G01J 3/0245;

G01J 3/0248; G01J 3/0251; G01J 3/0254;

G01J 3/0256; G01J 3/0259; G01J 3/0262;

G01J 3/0264; G01J 3/0267; G01J 3/027;

G01J 3/0272; G01J 3/0275; G01J 3/0278;

G01J 3/0283; G01J 3/0286; G01J 3/0289;

G01J 3/0291; G01J 3/0294; G01J 3/0297;

G01J 3/04; G01J 3/06; G01J 3/08; G01J

3/12; G01J 3/1256; G01J 3/14; G01J

3/16; G01J 3/18; G01J 3/1804; G01J

3/1809; G01J 3/1833; G01J 3/1838; G01J

3/189; G01J 3/1895; G01J 3/20; G01J

3/22; G01J 3/24; G01J 3/26; G01J 3/28;

G01J 3/2803; G01J 3/2823; G01J 3/2846;

G01J 3/2889; G01J 3/30; G01J 3/32;

G01J 3/36; G01J 3/40; G01J 3/42; G01J

3/4338; G01J 3/44; G01J 3/4406; G01J

3/4412; G01J 3/443; G01J 3/447; G01J

3/45; G01J 3/453; G01J 3/4531; G01J
3/4532; G01J 3/4535; G01J 3/4537; G01J
3/457; G01J 3/46; G01J 3/461; G01J
3/462; G01J 3/463; G01J 3/465; G01J
3/50; G01J 3/501; G01J 3/502; G01J
3/504; G01J 3/505; G01J 3/506; G01J
3/508; G01J 3/51; G01J 3/513; G01J
3/52; G01J 3/522; G01J 3/524; G01J
3/526; G01J 3/528; G01J 2003/0281;
G01J 2003/042; G01J 2003/045; G01J
2003/047; G01J 2003/061; G01J
2003/062; G01J 2003/064;

(Continued)

(56) **References Cited**

U.S. PATENT DOCUMENTS

D378,782 S * 4/1997 LaBarbera D10/81
D381,756 S * 7/1997 Ohnuma D24/231

* cited by examiner

Primary Examiner — Antoine Duval Davis

(74) *Attorney, Agent, or Firm* — JCIPRNET

(57) **CLAIM**

The ornamental design for a spectrophotometer, as shown.

DESCRIPTION

The file of this patent contains a least one drawing executed in color. Copies of this patent with color drawings will be provided by the United States Patent and Trademark Office upon request and payment of the necessary fee.

FIG. 1 is a perspective view of a spectrophotometer showing my new design;

FIG. 2 is a front view thereof;

FIG. 3 is a rear view thereof;

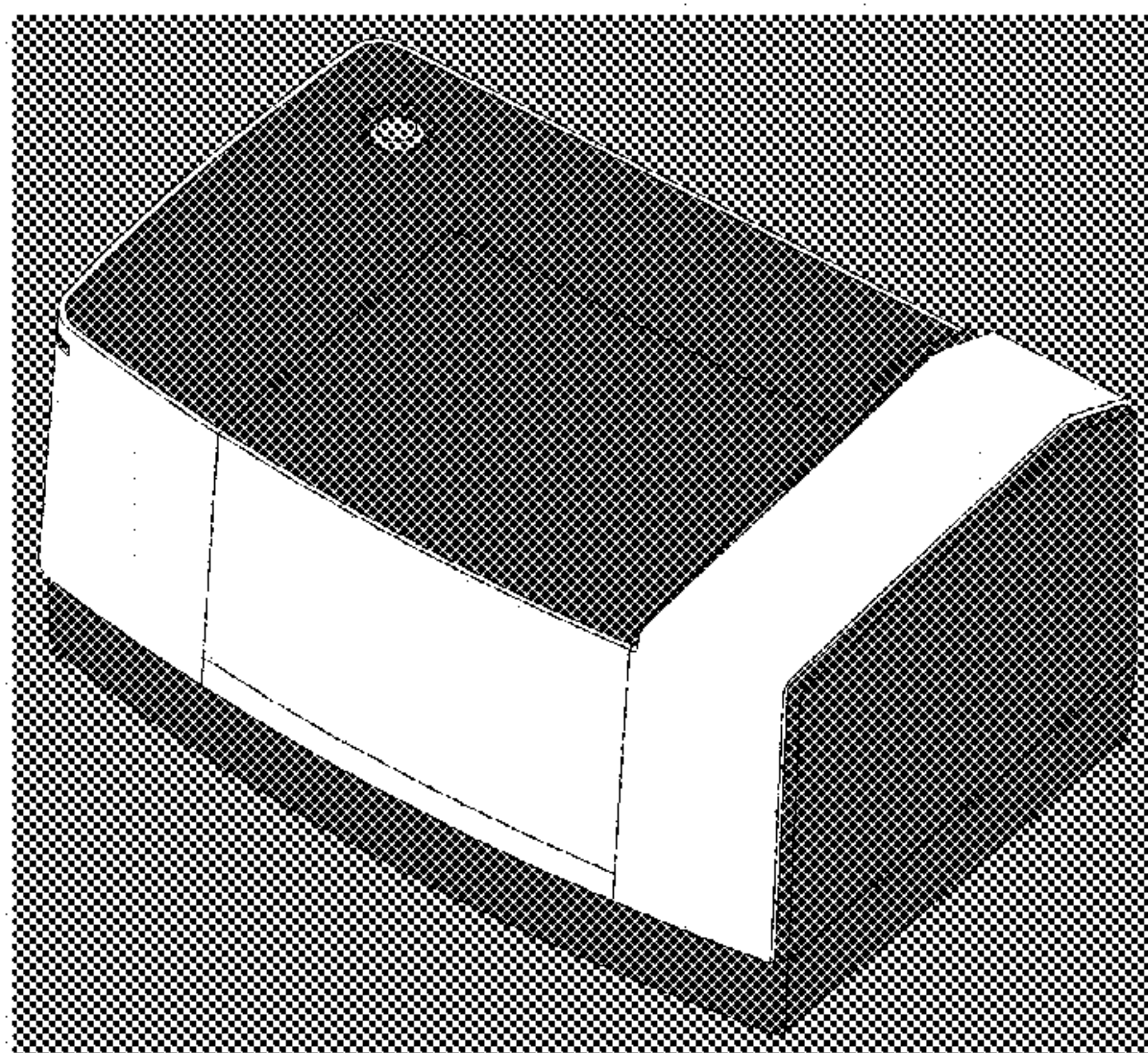
FIG. 4 is a left side view thereof;

FIG. 5 is a right side view thereof;

FIG. 6 is a top view thereof; and,

FIG. 7 is a bottom view thereof.

1 Claim, 5 Drawing Sheets
(5 of 5 Drawing Sheet(s) Filed in Color)



(58) **Field of Classification Search**

CPC G01J 2003/065; G01J 2003/066; G01J
2003/067; G01J 2003/068; G01J
2003/069; G01J 2003/1204; G01J
2003/1208; G01J 2003/1213; G01J
2003/1217; G01J 2003/1221; G01J
2003/1226; G01J 2003/123; G01J
2003/1234; G01J 2003/1239; G01J
2003/1243; G01J 2003/1247; G01J
2003/1252; G01J 2003/126; G01J
2003/1265; G01J 2003/1269; G01J
2006/1273; G01J 2003/1278; G01J
2003/1282; G01J 2003/1286; G01J
2003/1291; G01J 2003/1295; G01J
2003/145; G01J 2003/1814; G01J
2003/1819; G01J 2003/1823; G01J
2003/1828; G01J 2003/1842; G01J
2003/1847; G01J 2003/1852; G01J
2003/1857; G01J 2003/1861; G01J
2003/1866; G01J 2003/1871; G01J
2003/1876; G01J 2003/188; G01J
2003/1885; G01J 2003/262; G01J
2003/26; G01J 2003/267; G01J
2003/2806; G01J 2003/2809; G01J
2003/2813; G01J 2003/2816; G01J
2003/282; G01J 2003/2826; G01J
2003/283; G01J 2003/2833; G01J
2003/2836; G01J 2003/284; G01J

2003/2843; G01J 2003/285; G01J
2003/2853; G01J 2006/2856; G01J
2003/2859; G01J 2003/2863; G01J
2003/2866; G01J 2003/2869; G01J
2003/2873; G01J 2003/2876; G01J
2003/2879; G01J 2003/2883; G01J
2003/2886; G01J 2003/2893; G01J
2003/2896; G01J 2003/323; G01J
2003/326; G01J 2003/421; G01J
2003/423; G01J 2003/425; G01J
2003/4275; G01J 2003/4332; G01J
2003/4334; G01J 2003/4336; G01J
2003/4418; G01J 2003/4424; G01J
2003/4435; G01J 2003/451; G01J
2003/452; G01J 2003/4534; G01J
2003/4538; G01J 2003/466; G01J
2003/467; G01J 2003/468; G01J
2003/503; G01J 2003/507; G01J
2003/516; G01N 21/3563; G01N
21/4738; G01N 2021/3181; G01N
2021/0627; G01N 2021/0691; G01N
2021/0694; G01N 21/3155; G06F 17/14;
G01R 23/16; G01R 23/163; G01R
23/165; G01R 23/167; G01R 23/17;
G01R 23/173; G01R 23/175; G01R
23/177; G01R 23/18; G01R 23/20; G01R
23/005; H04N 17/00

See application file for complete search history.

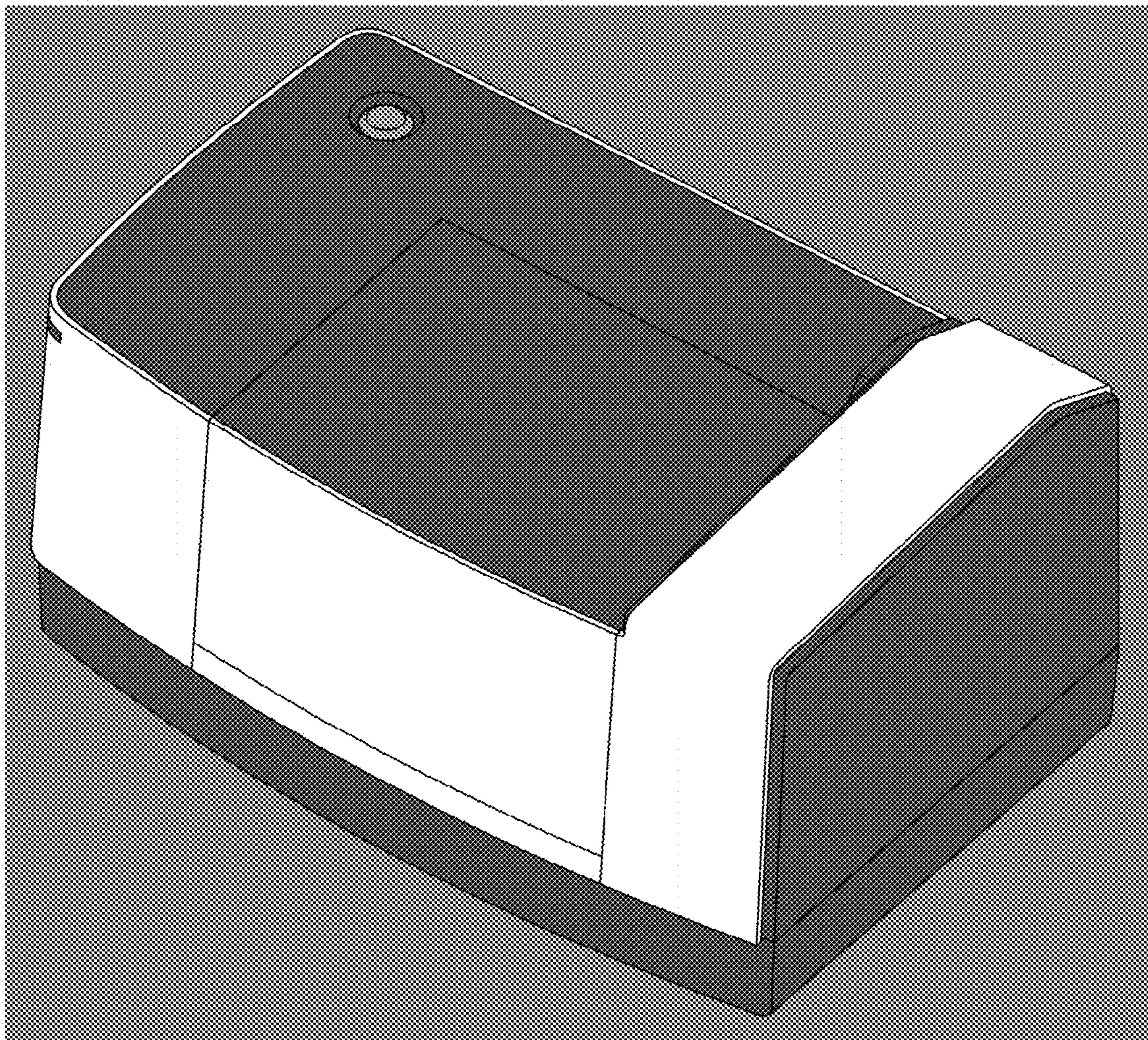


FIG. 1

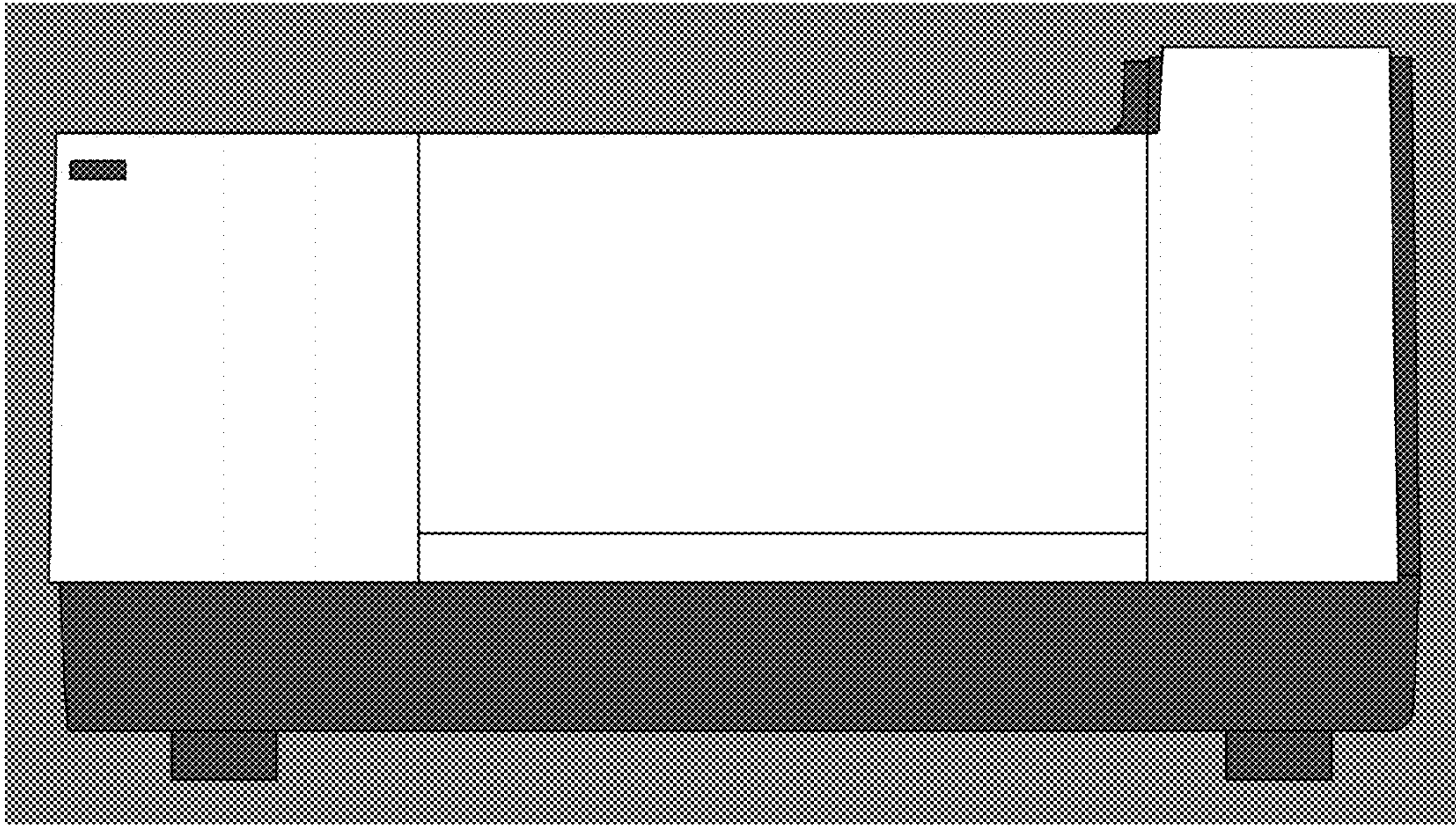


FIG. 2

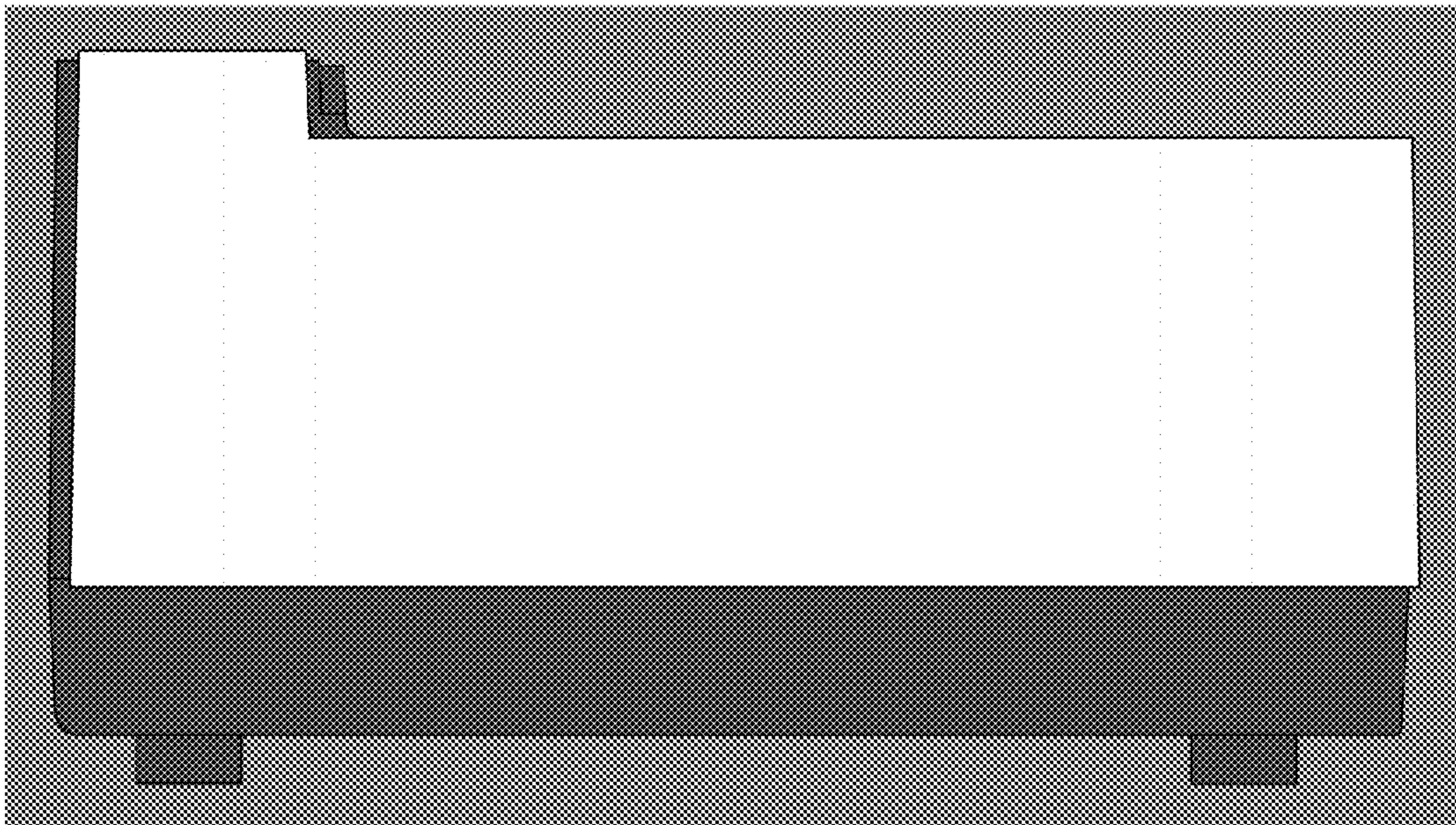


FIG. 3

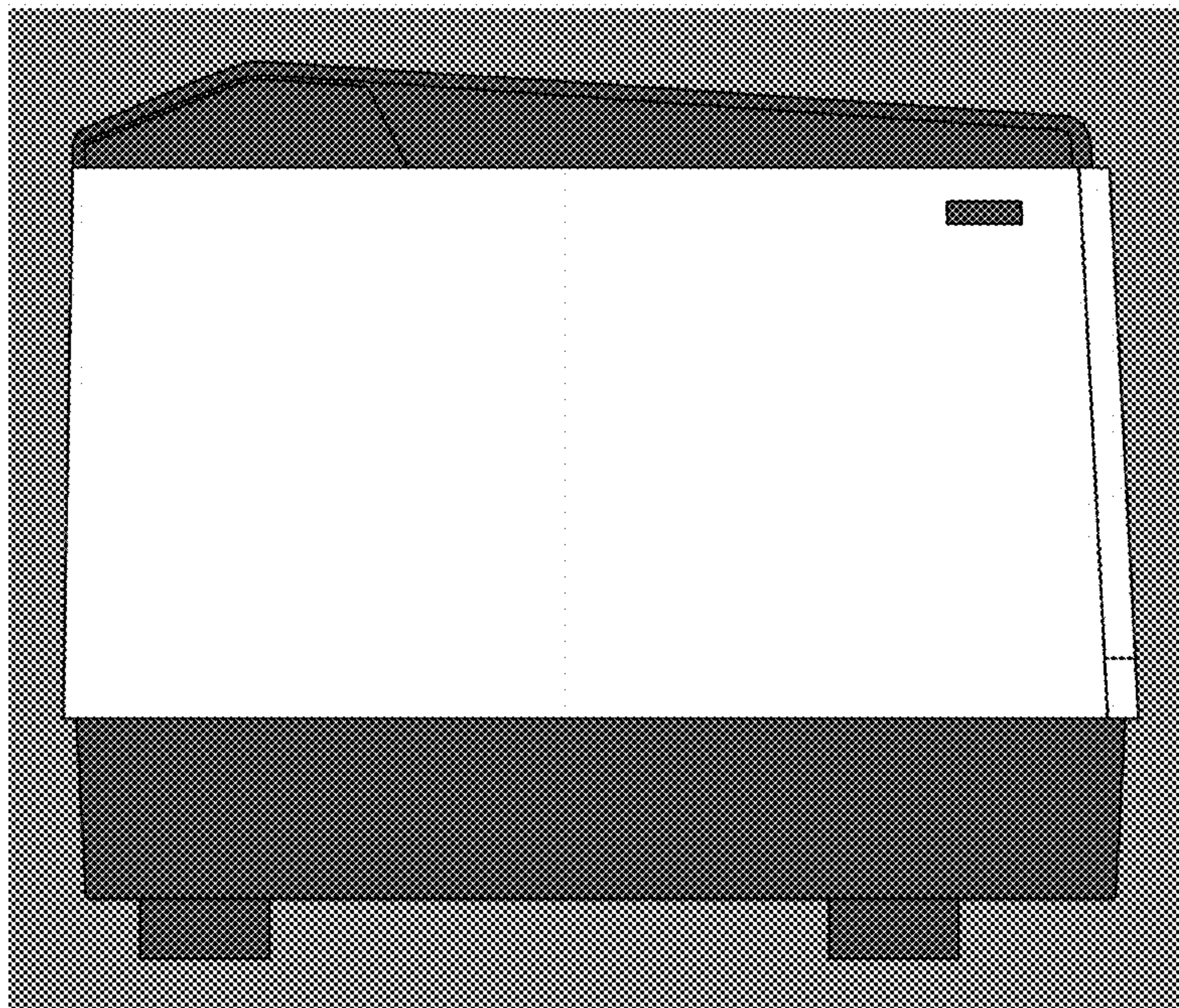


FIG. 4

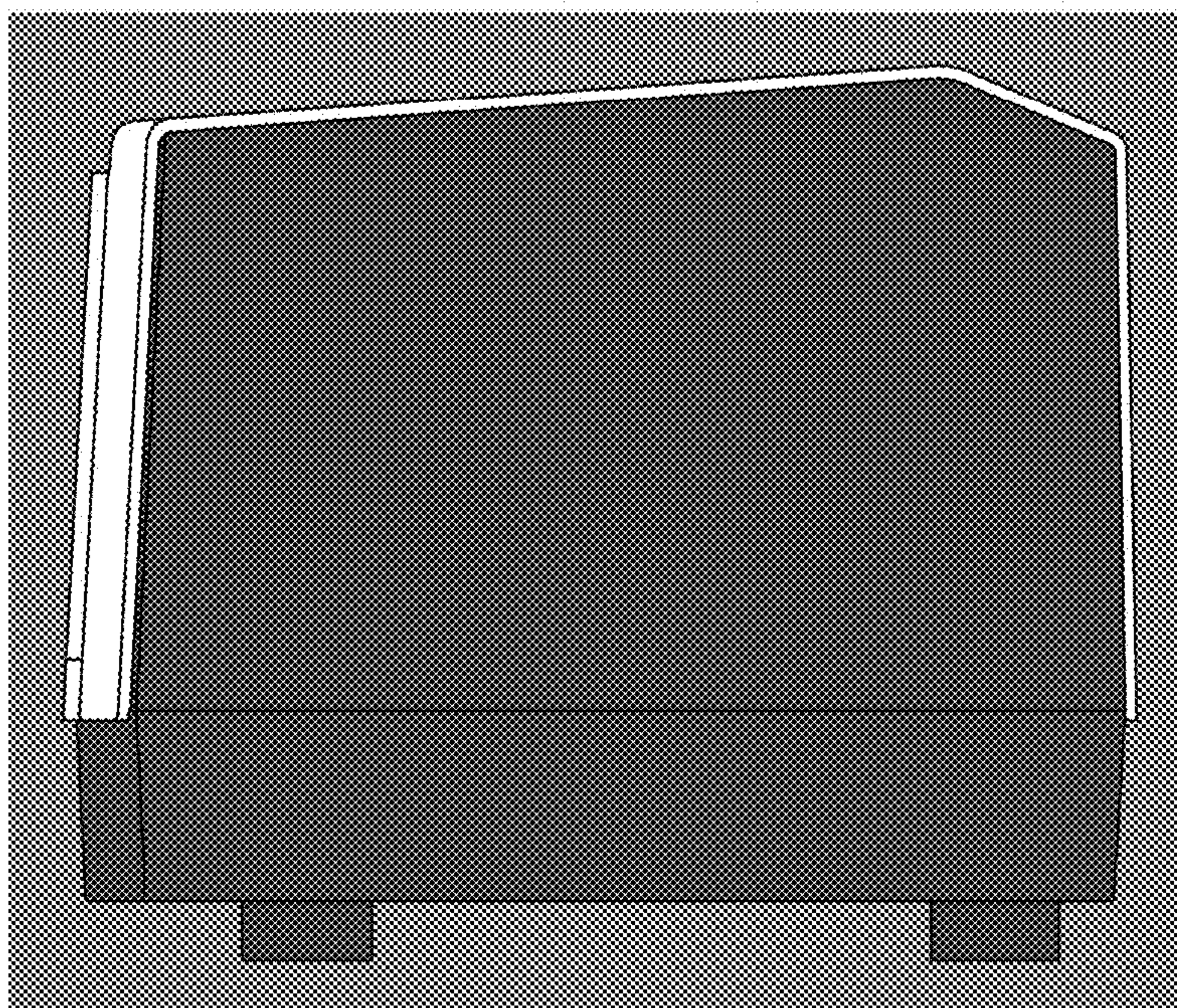


FIG. 5

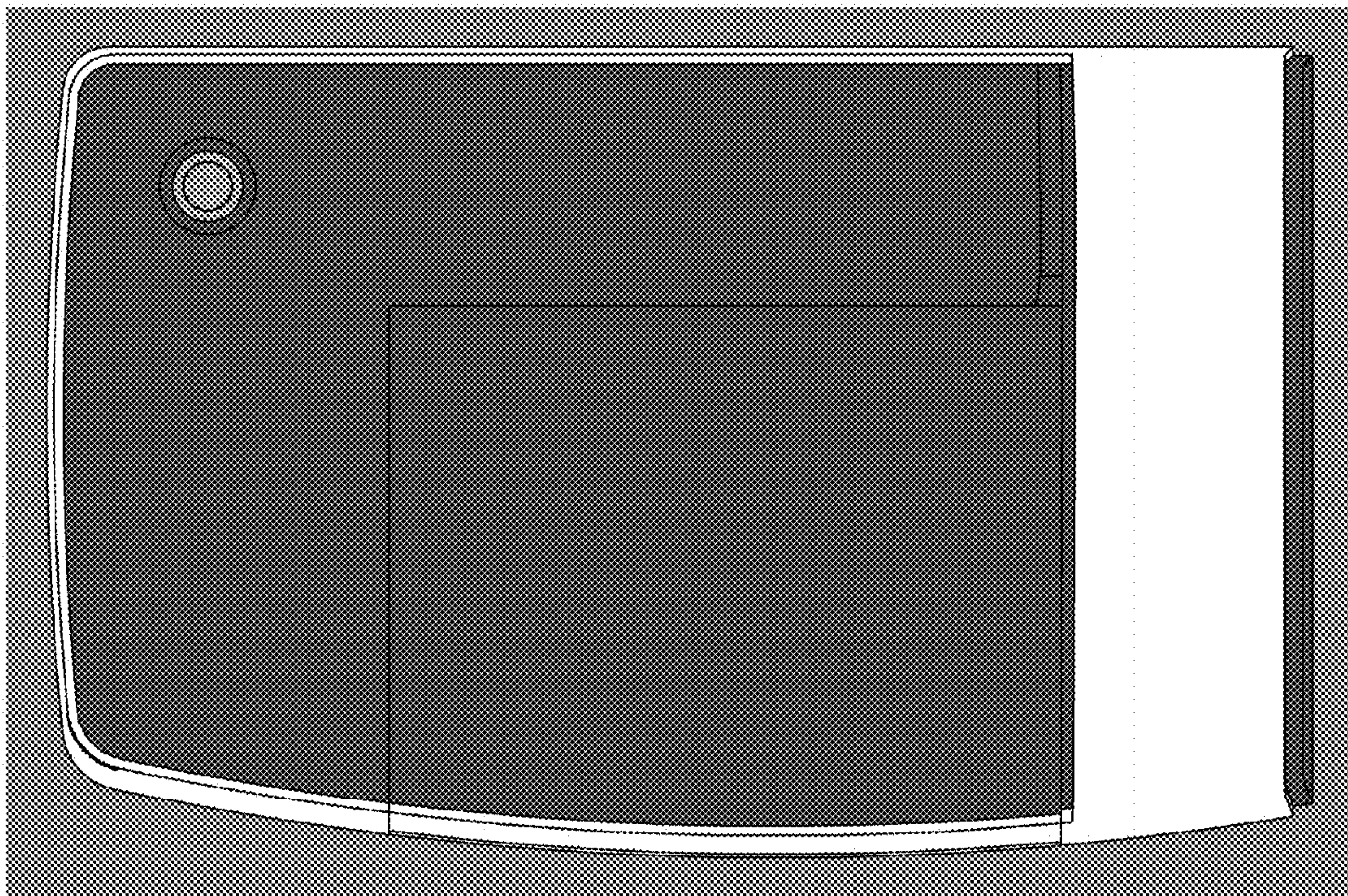


FIG. 6

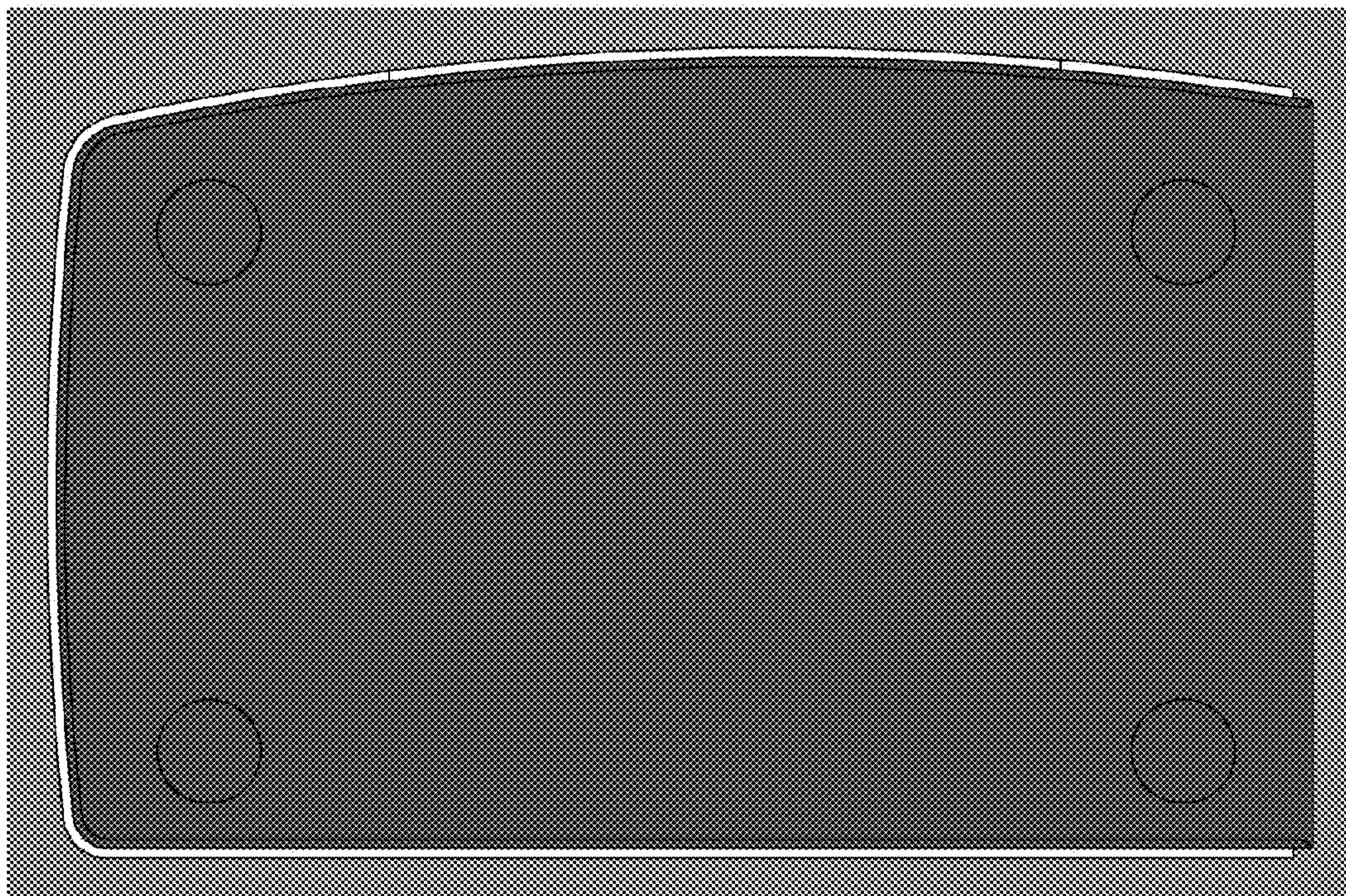


FIG. 7