



US00D841499S

(12) **United States Design Patent**
Drewes et al.

(10) **Patent No.:** **US D841,499 S**

(45) **Date of Patent:** **** Feb. 26, 2019**

(54) **IN-LINE FILTER HOLDER**

(71) Applicant: **Ocean Optics, Inc.**, Largo, FL (US)

(72) Inventors: **Jonathan Drewes**, Oviedo, FL (US);
Bryan Auz, Orlando, FL (US)

(73) Assignee: **Ocean Optics, Inc.**, Largo, FL (US)

(**) Term: **15 Years**

(21) Appl. No.: **29/607,061**

(22) Filed: **Jun. 9, 2017**

(51) **LOC (11) Cl.** **10-04**

(52) **U.S. Cl.**
USPC **D10/81; D24/186; D24/216**

(58) **Field of Classification Search**
USPC D10/81; D24/186, 216
CPC G01N 1/10; G01N 35/1097; G01N 1/2247;
G01N 1/4077; G01N 35/09; G01N
2001/227; G01N 21/474; G01N 21/645;
G01N 21/6466; G01N 21/65; G01N
2021/475; G01N 2021/6417; G01N
2021/656; G01N 2201/0627; A61B
5/0059; A61B 5/0071; A61B 5/444
See application file for complete search history.

(56) **References Cited**

U.S. PATENT DOCUMENTS

6,069,689 A * 5/2000 Zeng A61B 5/0059
356/301
6,499,362 B1 * 12/2002 Wolcott G01N 1/10
73/863.24

7,099,012 B1 * 8/2006 Crawford G01N 21/645
250/458.1
D787,963 S * 5/2017 Scott D10/81

* cited by examiner

Primary Examiner — Antoine Duval Davis

(74) *Attorney, Agent, or Firm* — Dennis L. Cook, Esq.

(57) **CLAIM**

The ornamental design for an in-line filter holder, as shown and described.

DESCRIPTION

FIG. 1A is a perspective view from the front of an in-line filter holder showing my new design;
FIG. 1B is a perspective view from the back of an in-line filter holder showing my new design;
FIG. 2A is a front view of an in-line filter holder showing my new design;
FIG. 2B is a back view of an in-line filter holder showing my new design;
FIG. 3A is a side view of an in-line filter holder showing my new design;
FIG. 3B is a top view of an in-line filter holder showing my new design;
FIG. 3C is a bottom view of an in-line filter holder showing my new design; and,
FIG. 4 is an exploded side view of an in-line filter holder showing my new design.

1 Claim, 4 Drawing Sheets

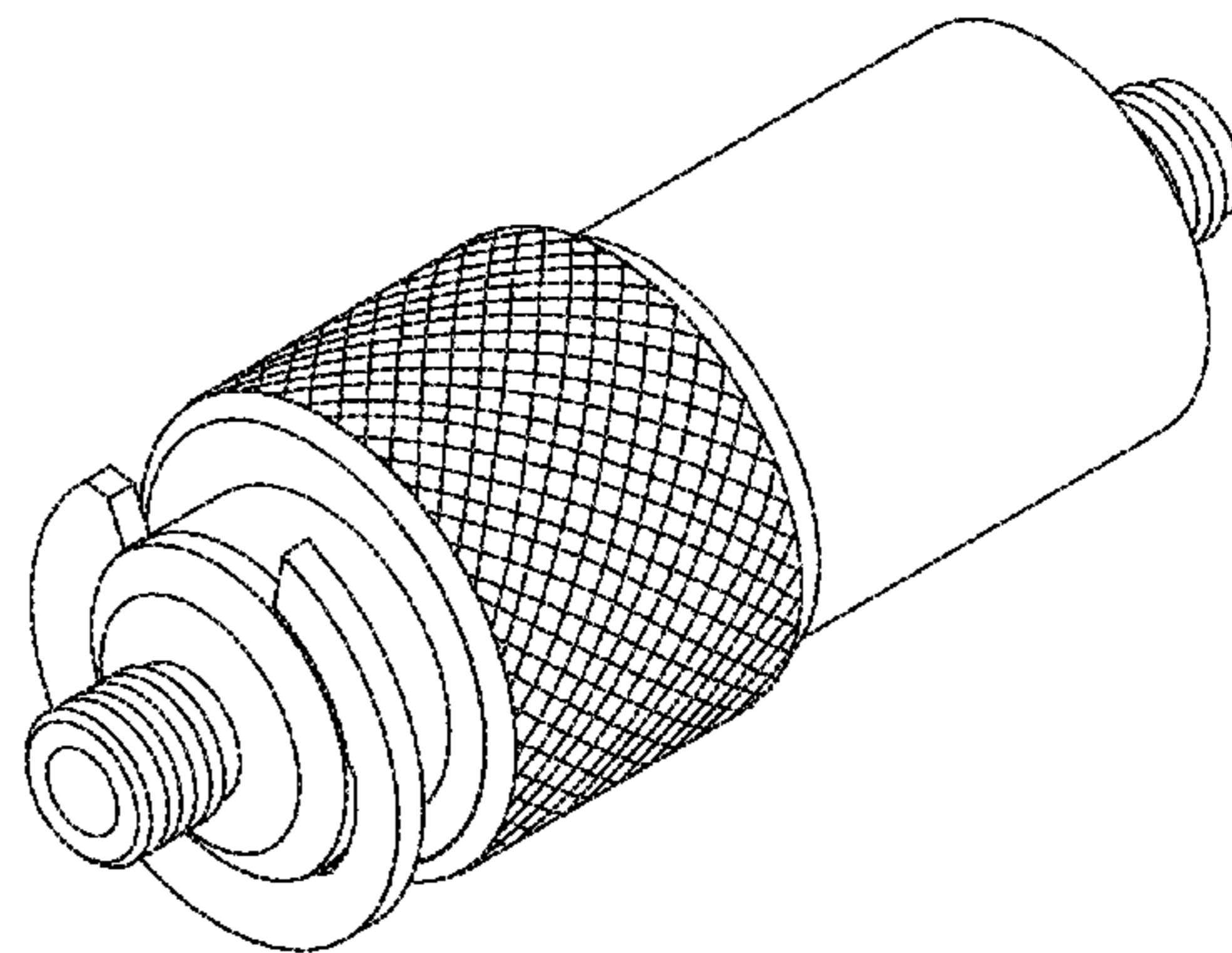
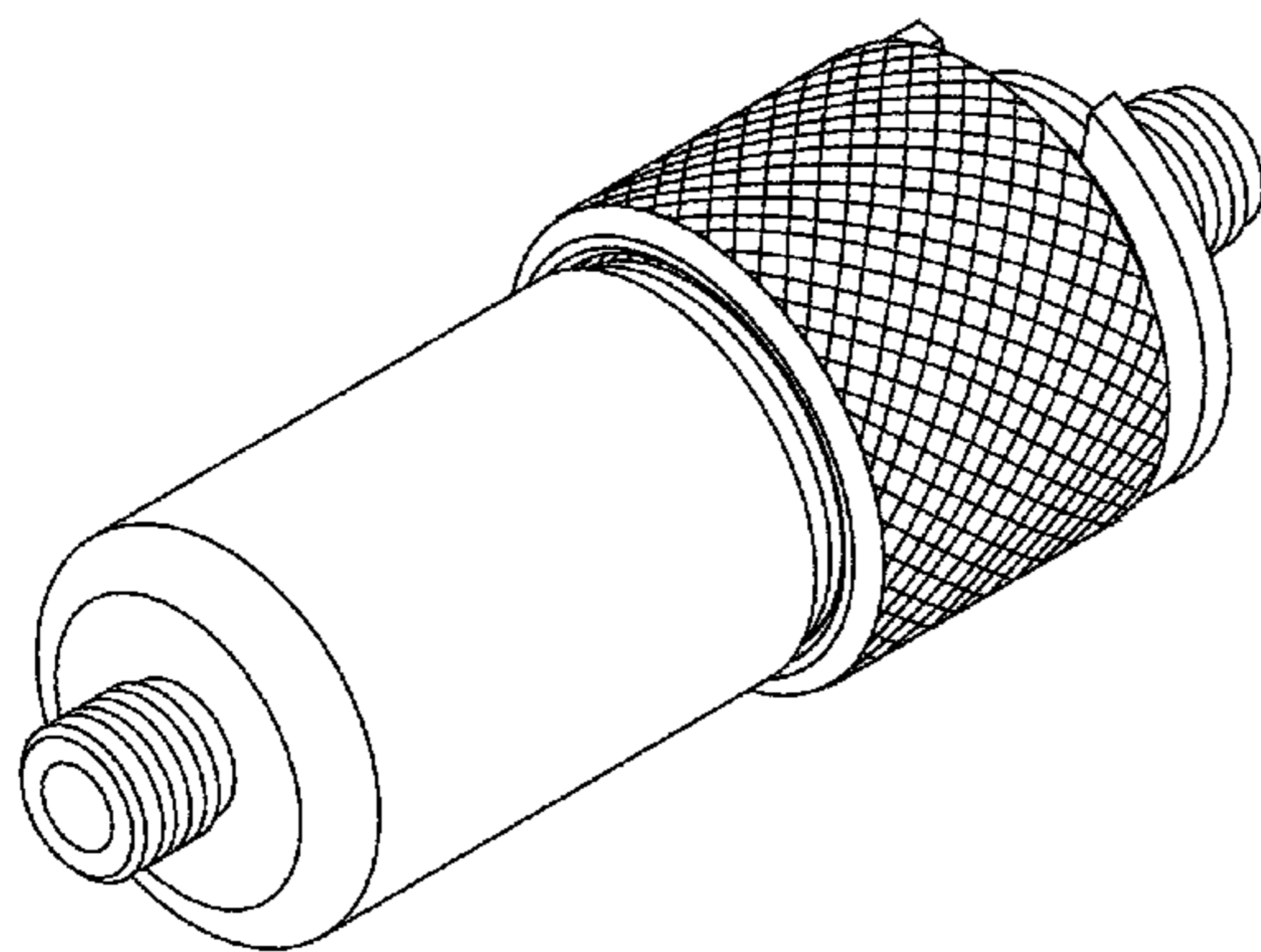


FIG 1A

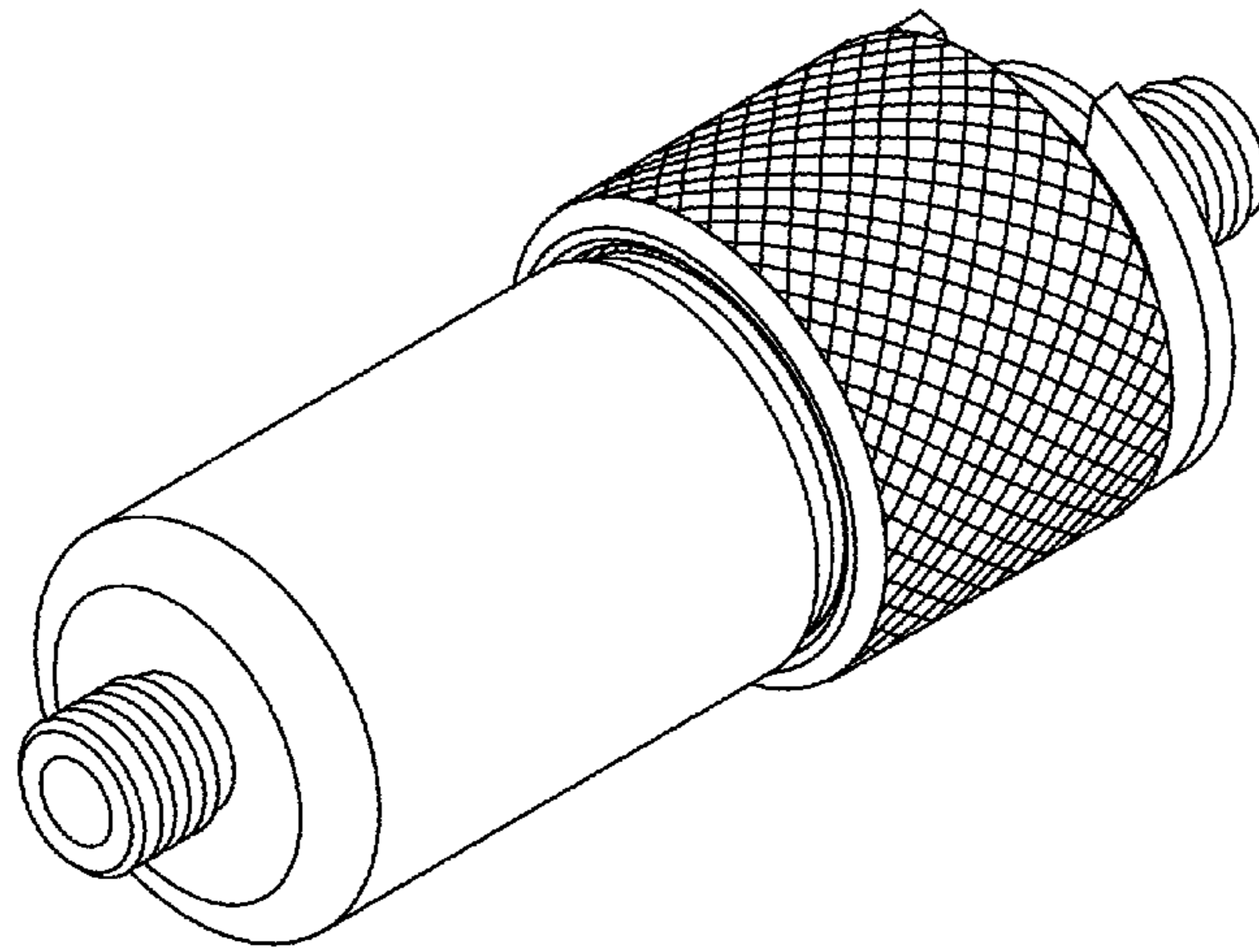


FIG 1B

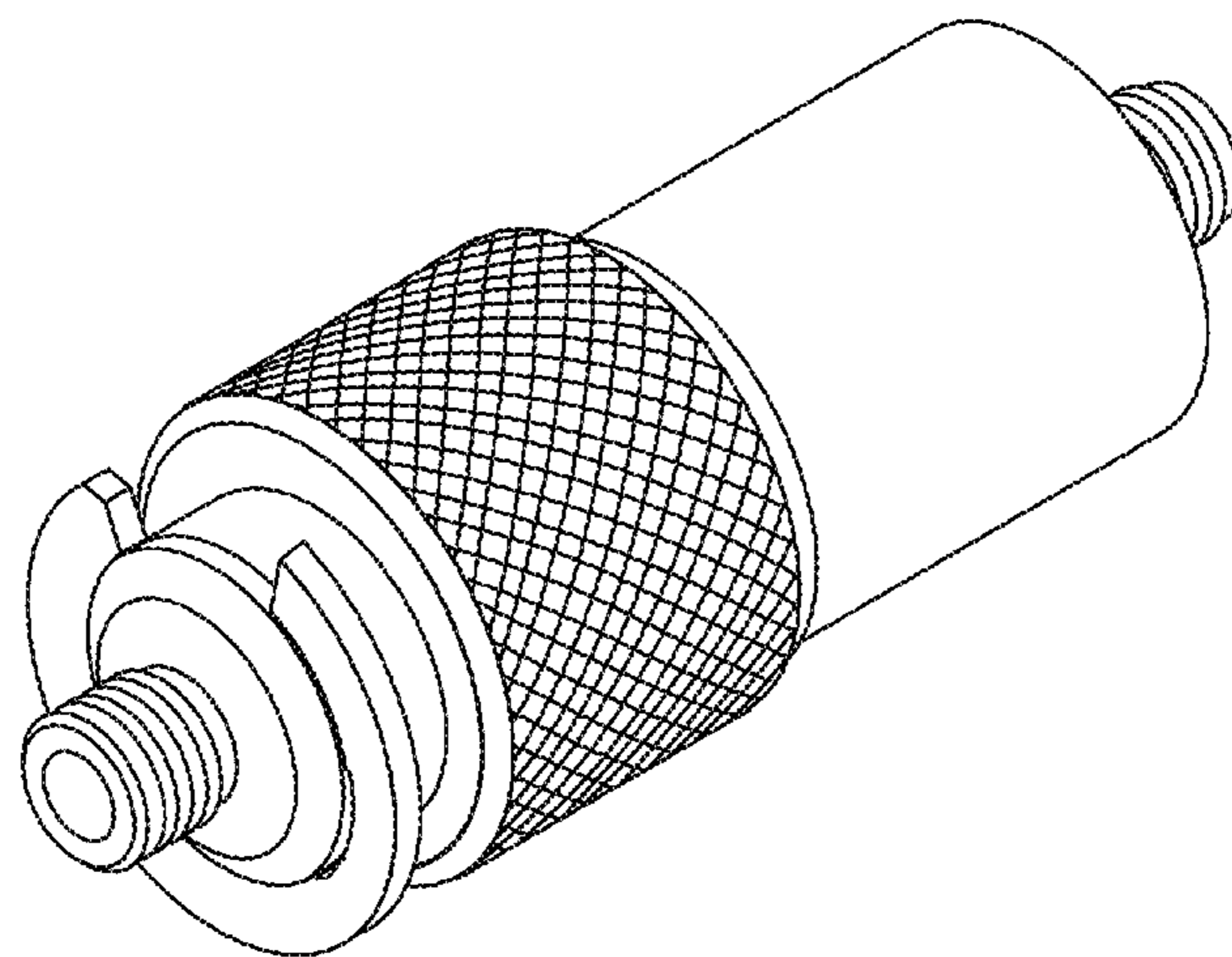


FIG 2A

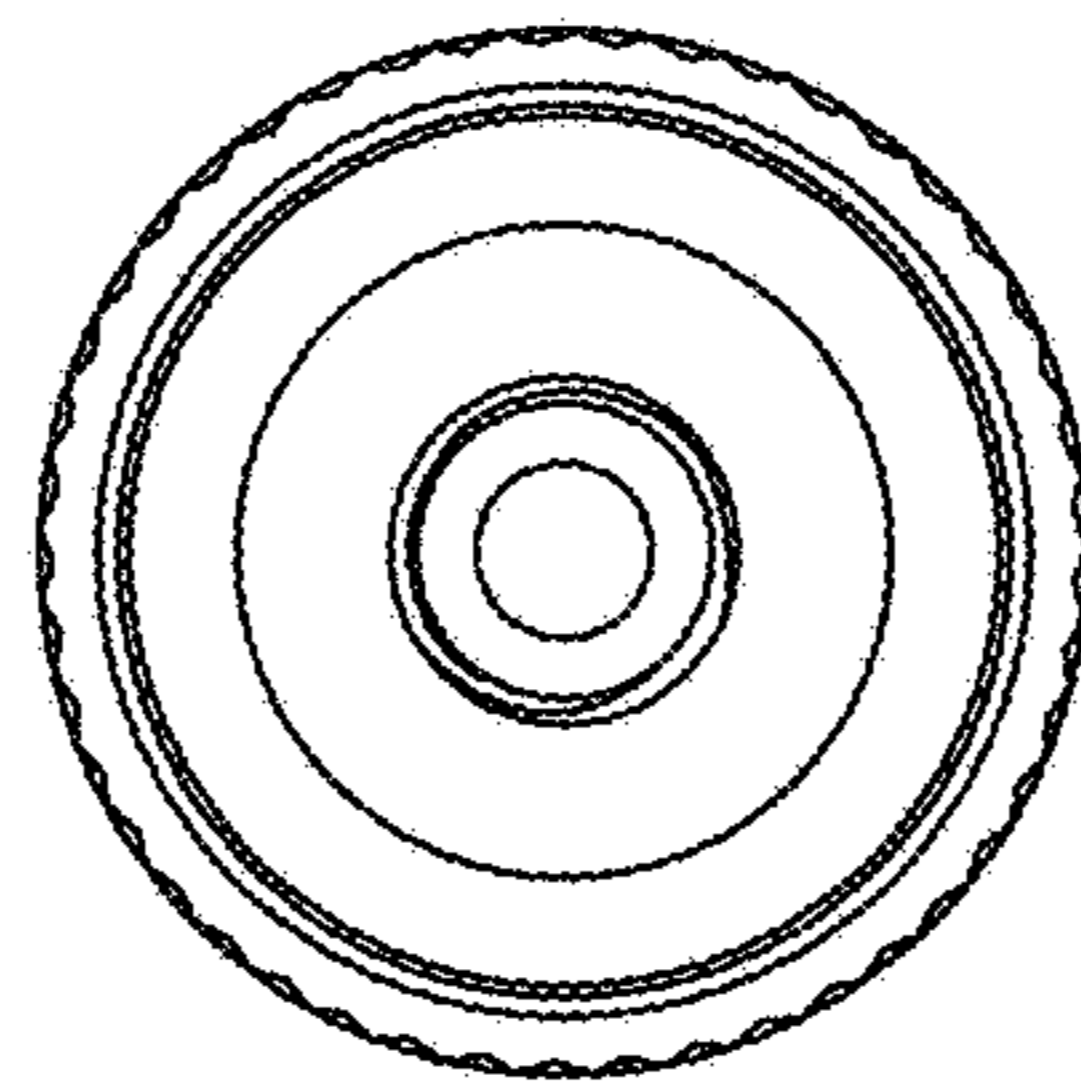


FIG 2B

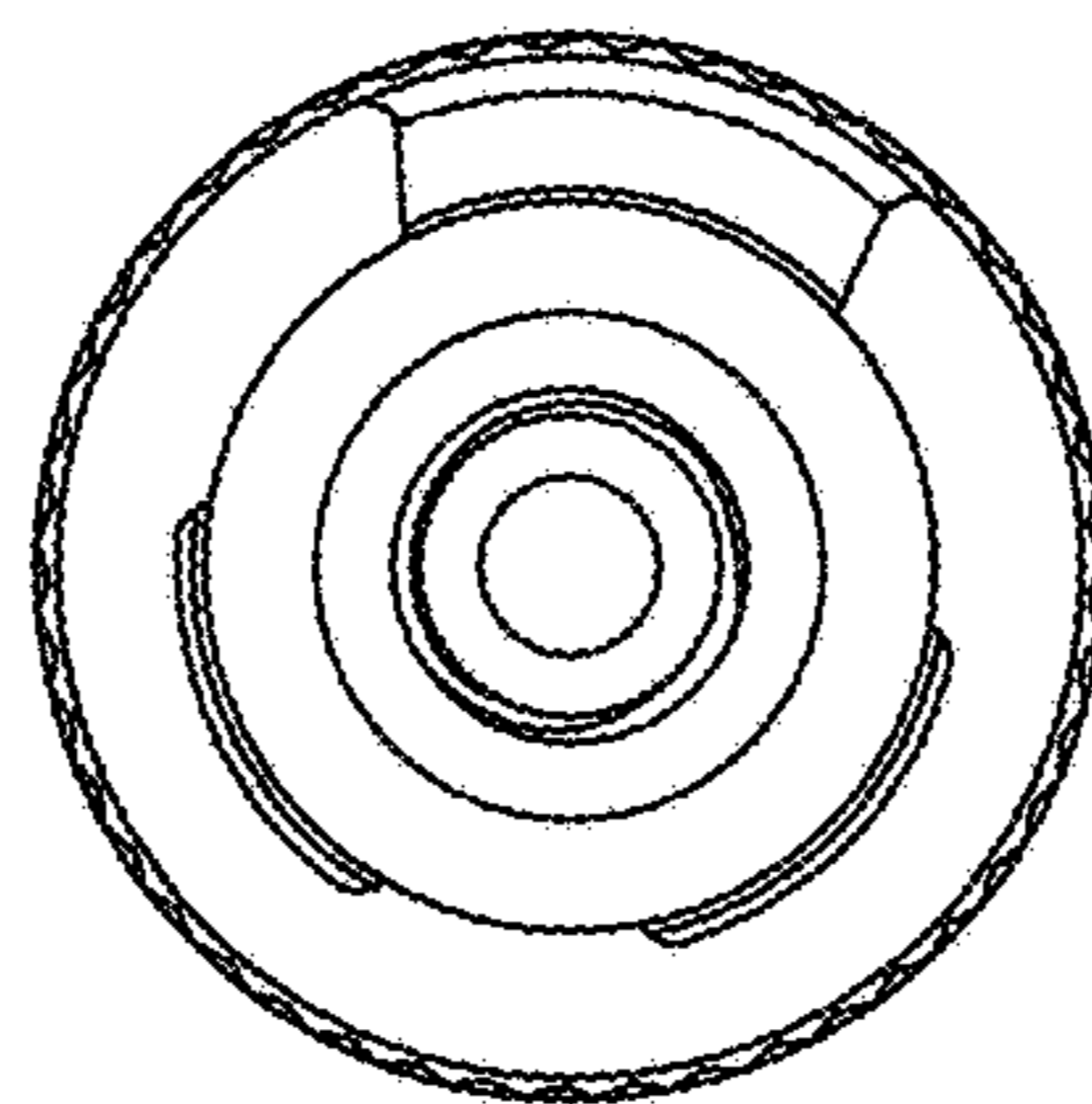


FIG 3A

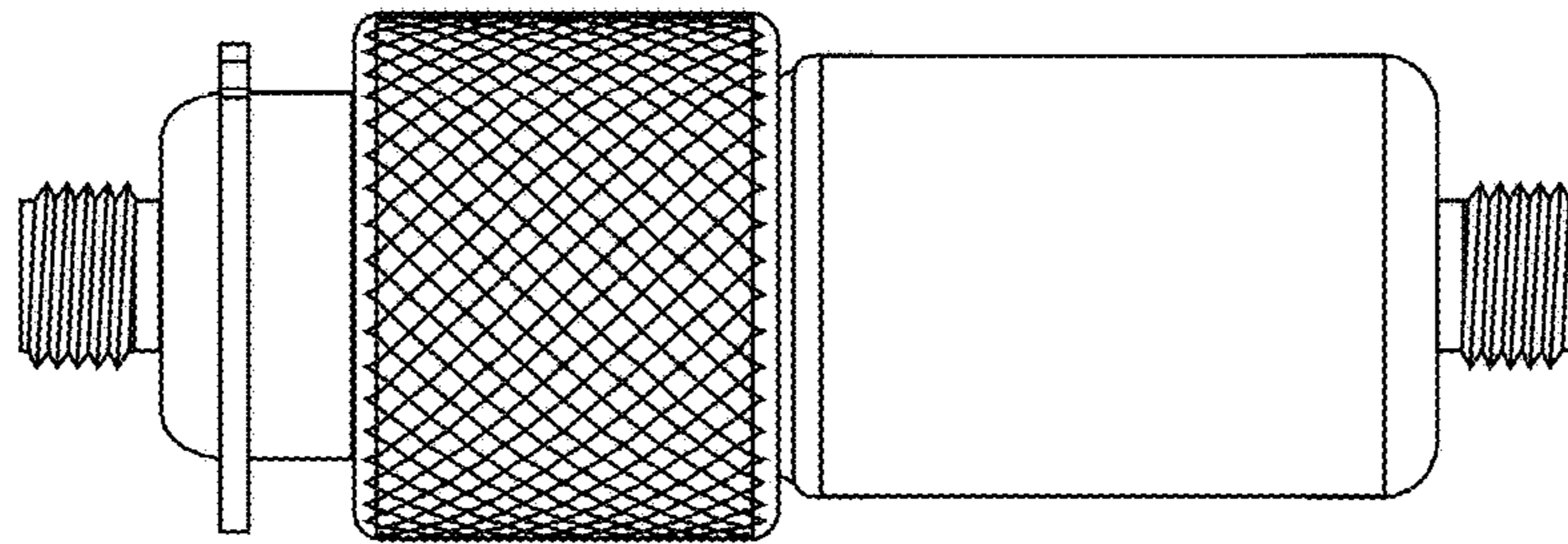


FIG 3B

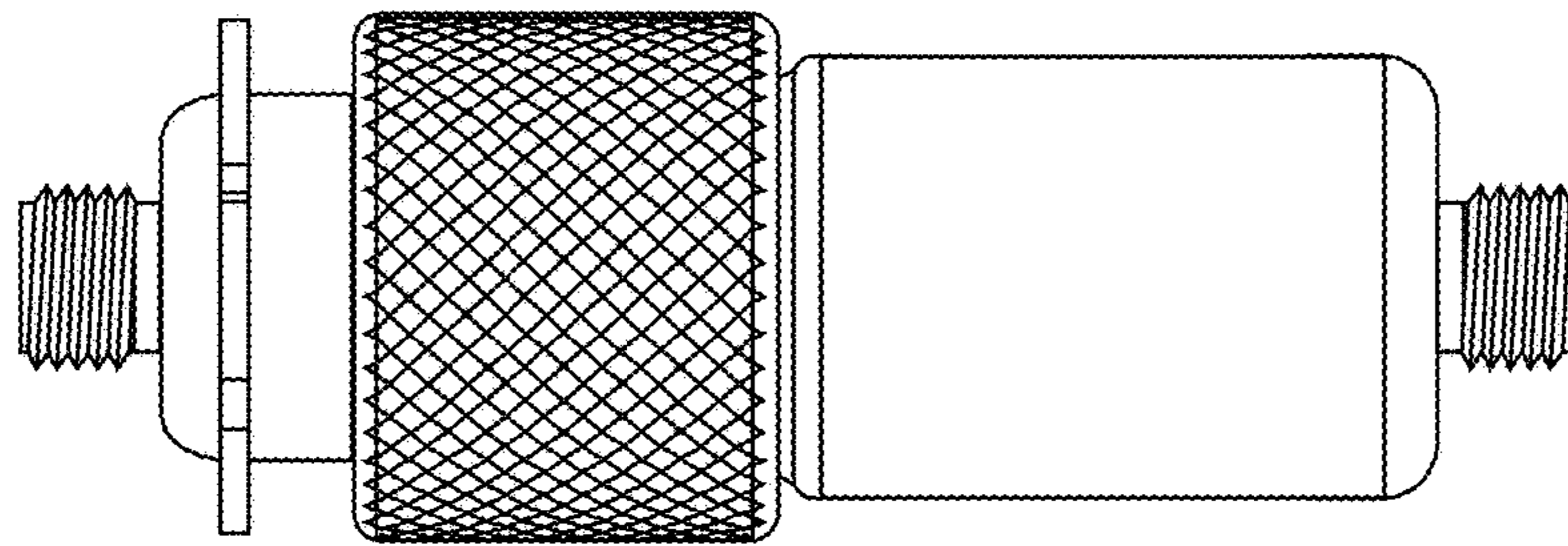


FIG 3C

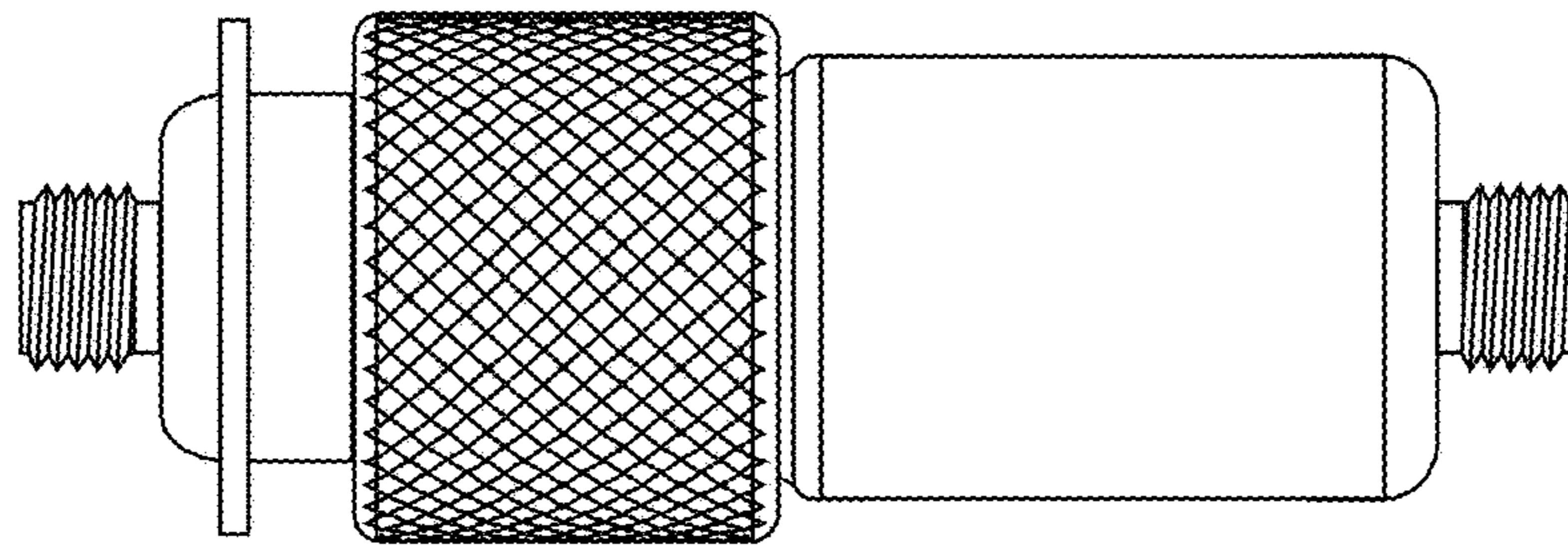


FIG 4

