



US00D841497S

(12) **United States Design Patent**
Blair et al.

(10) **Patent No.:** **US D841,497 S**

(45) **Date of Patent:** **** Feb. 26, 2019**

(54) **WIRELESS SENSOR WITHOUT DISPLAY**

(71) Applicant: **Aktiebolaget SKF**, Göteborg (SE)

(72) Inventors: **Andrew Blair**, Edinburgh (GB); **Bryan L. Calderwood**, Murrieta, CA (US); **James Glencross**, Edinburgh (GB); **Allan McDougall**, Edinburgh (GB); **Jonathan David Murphy**, Friday Harbor, WA (US)

(73) Assignee: **Aktiebolaget SKF**, Göteborg (SE)

(**) Term: **15 Years**

(21) Appl. No.: **29/611,870**

(22) Filed: **Jul. 26, 2017**

(30) **Foreign Application Priority Data**

Jan. 27, 2017 (EM) 003718519

(51) **LOC (11) Cl.** **10-04**

(52) **U.S. Cl.**
USPC **D10/78**

(58) **Field of Classification Search**
USPC D10/78
CPC .. G01M 99/005; G01M 99/00; G08B 21/187;
G08B 21/18; G06K 7/10366; G06K
19/0719; G06K 2017/0077; G06K 7/10;
G08M 29/02; F16C 41/008; F16C 41/00;
H04W 56/0015; H04W 4/70; H04W
56/0016; H04W 4/00; H04W 56/00;
H04L 7/0012

See application file for complete search history.

(56) **References Cited**

U.S. PATENT DOCUMENTS

D299,318 S * 1/1989 Chiang D10/78
D358,347 S * 5/1995 Max D10/78
6,513,386 B2 * 2/2003 Barclay G01M 13/028
73/649
D701,130 S * 3/2014 Laurino D10/78
9,759,636 B2 * 9/2017 Murphy H04W 4/70
9,775,957 B2 * 10/2017 Despa A61M 5/14244

* cited by examiner

Primary Examiner — Antoine Duval Davis

(74) *Attorney, Agent, or Firm* — Bryan Peckjian; SKF USA Inc. Patent Dept.

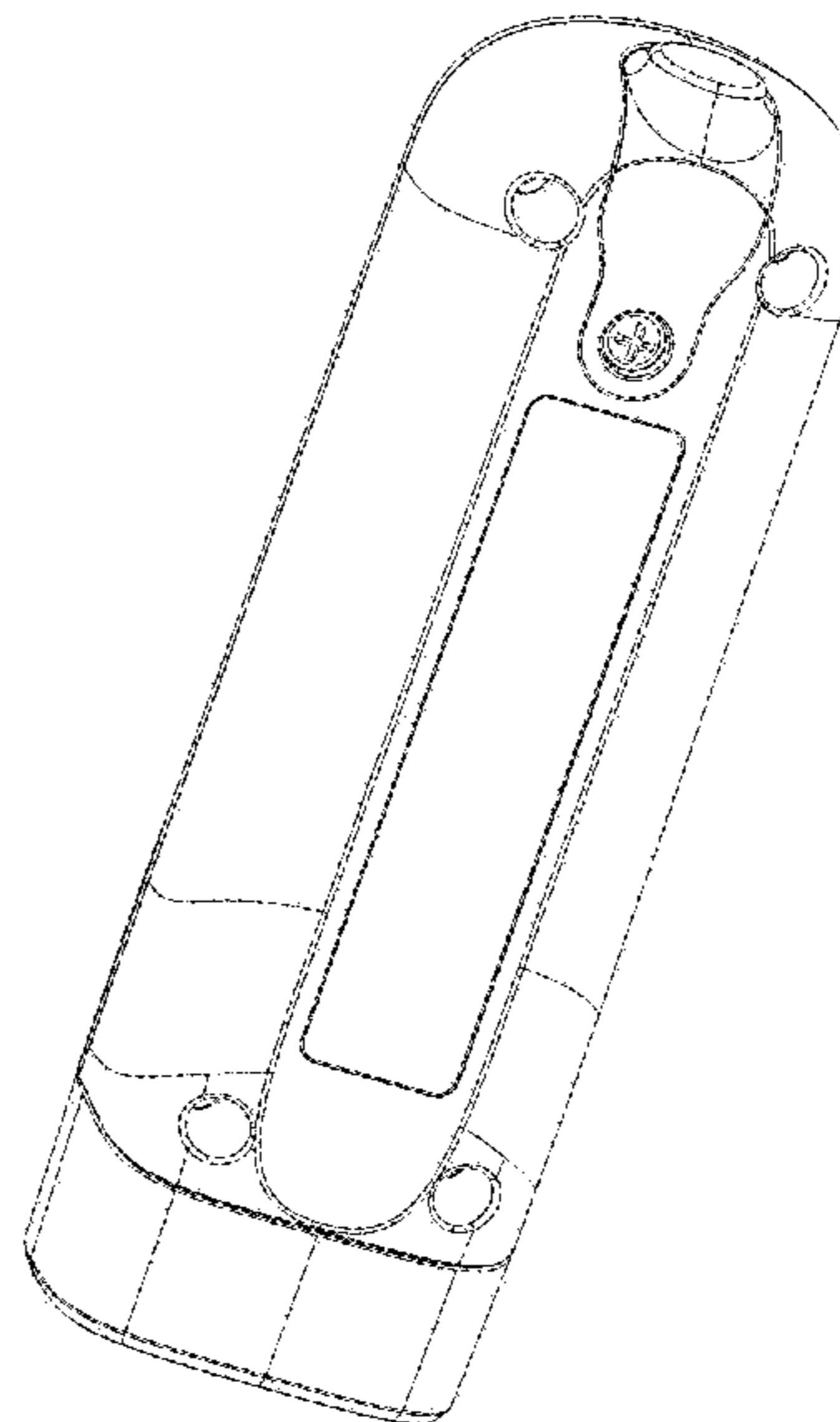
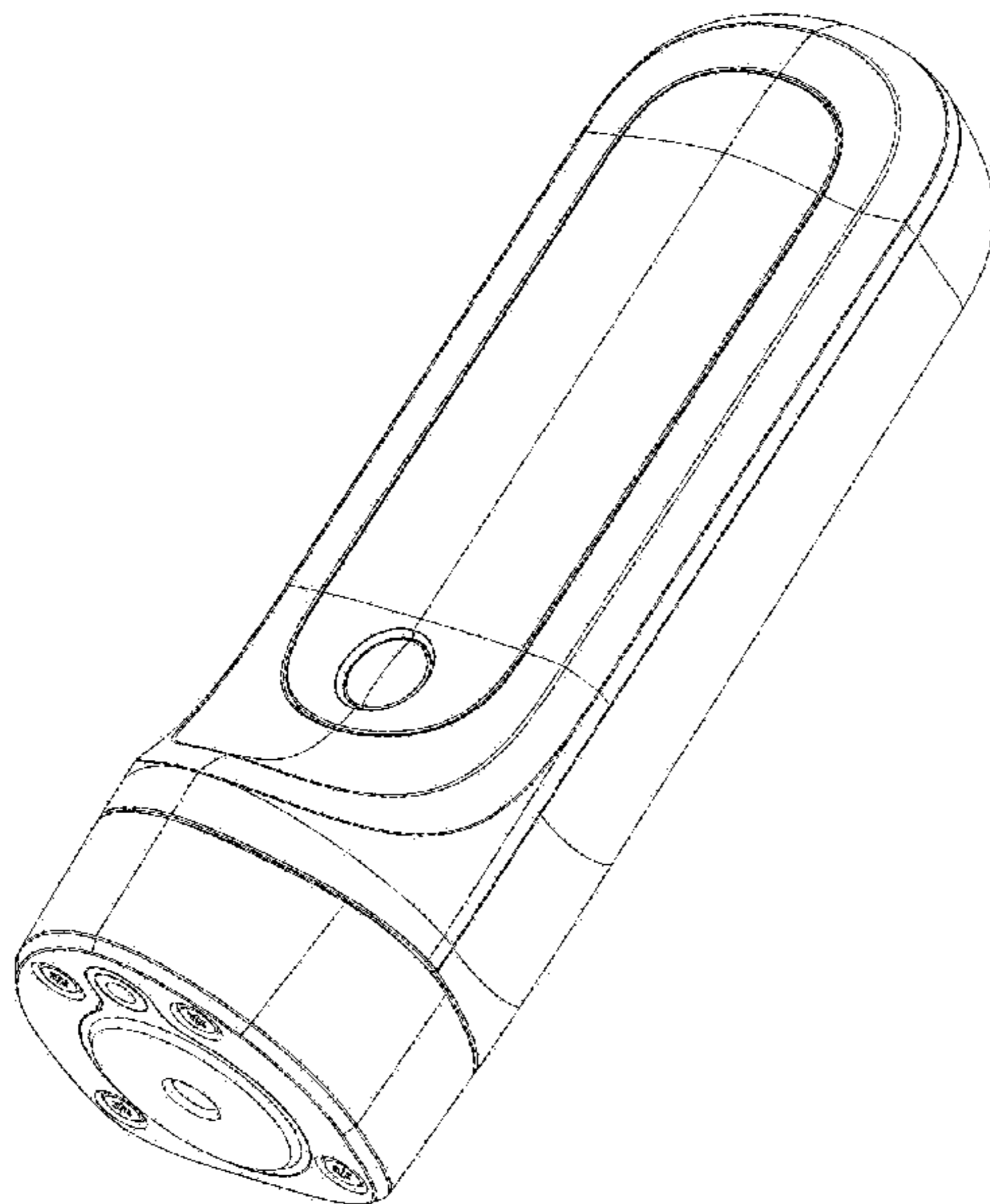
(57) **CLAIM**

We claim the ornamental design for a wireless sensor without display, as shown and described.

DESCRIPTION

FIG. 1 is an isometric front, bottom view of a first embodiment of a wireless sensor without display;
FIG. 2 is an isometric rear, top view thereof;
FIG. 3 is a back view thereof;
FIG. 4 is a left side view thereof;
FIG. 5 is a right side view thereof;
FIG. 6 is a front view thereof;
FIG. 7 is a top view thereof; and,
FIG. 8 is a bottom view thereof.

1 Claim, 8 Drawing Sheets



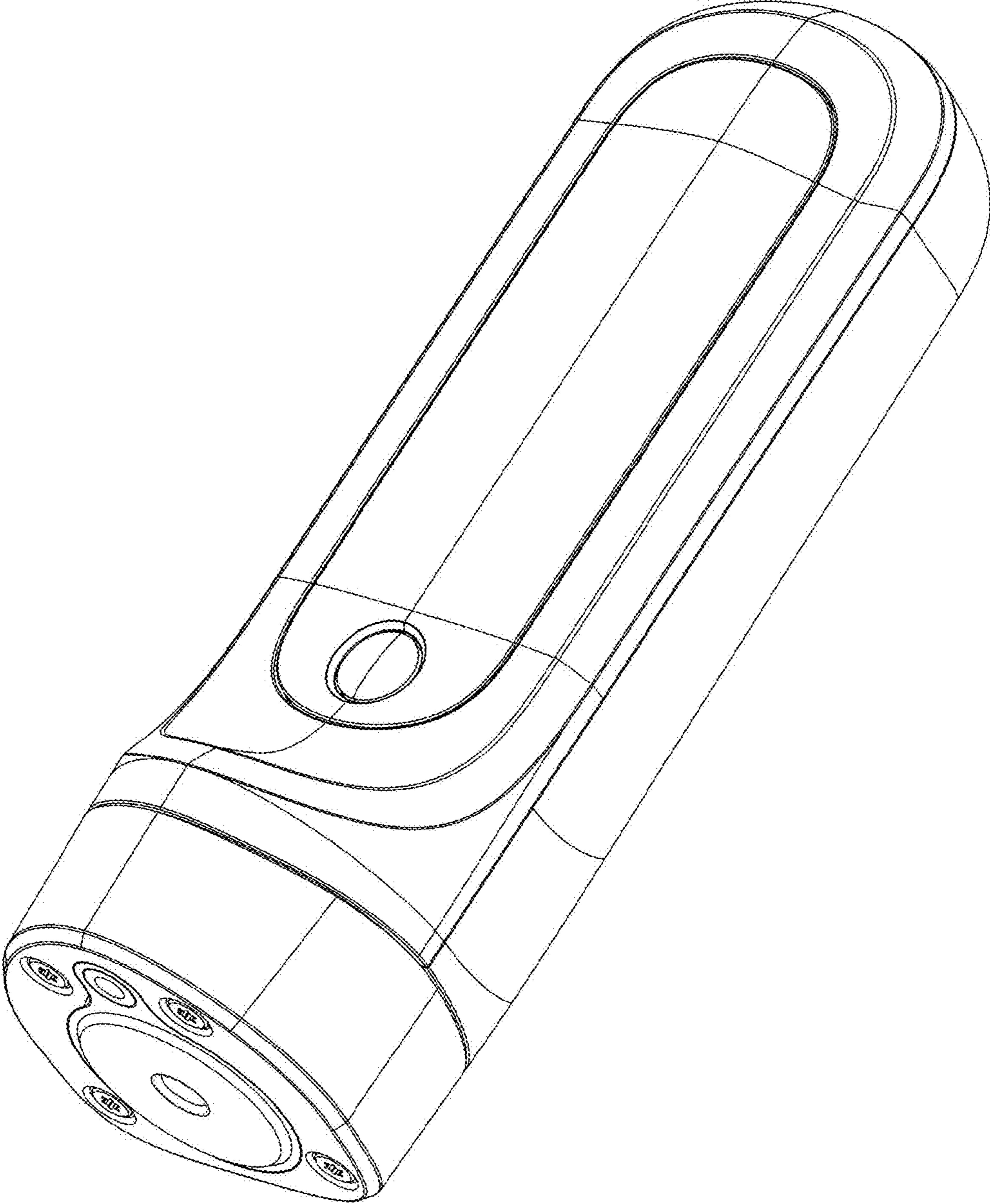


FIG. 1

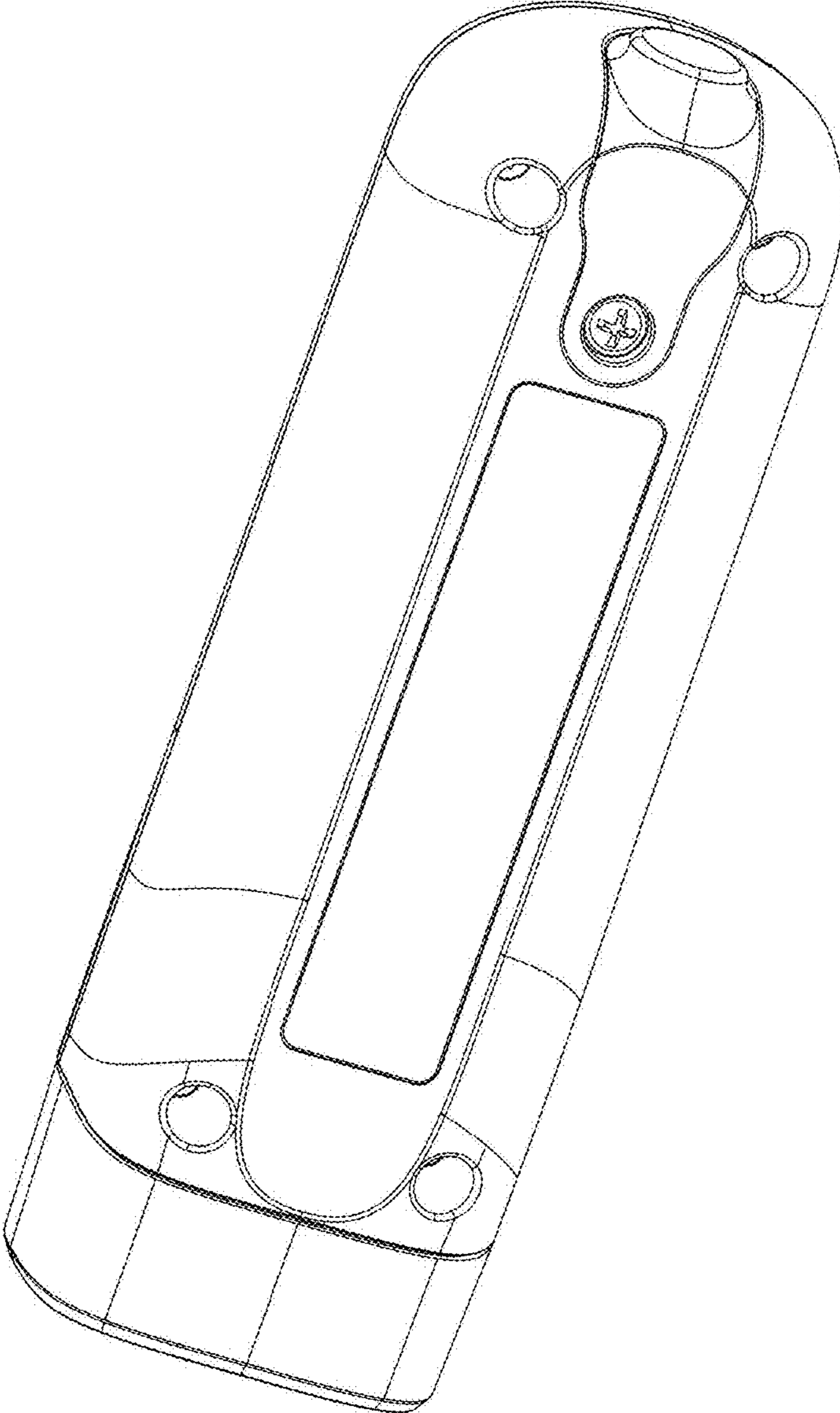


FIG. 2

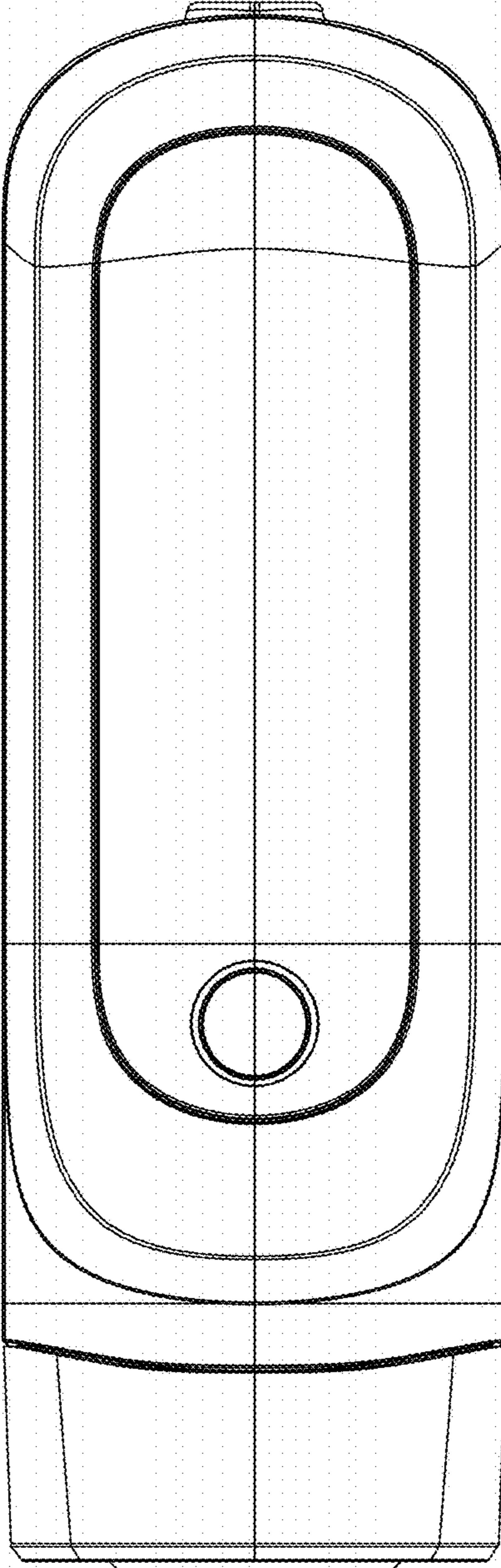


FIG. 3

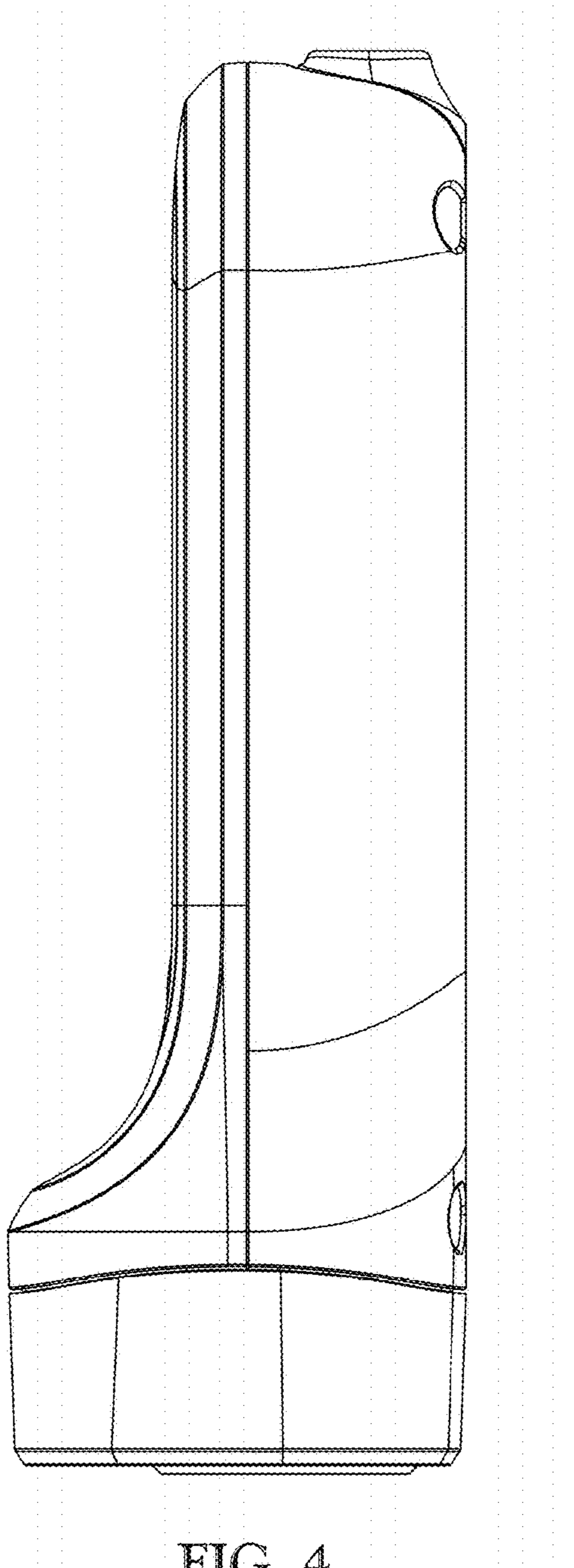


FIG. 4

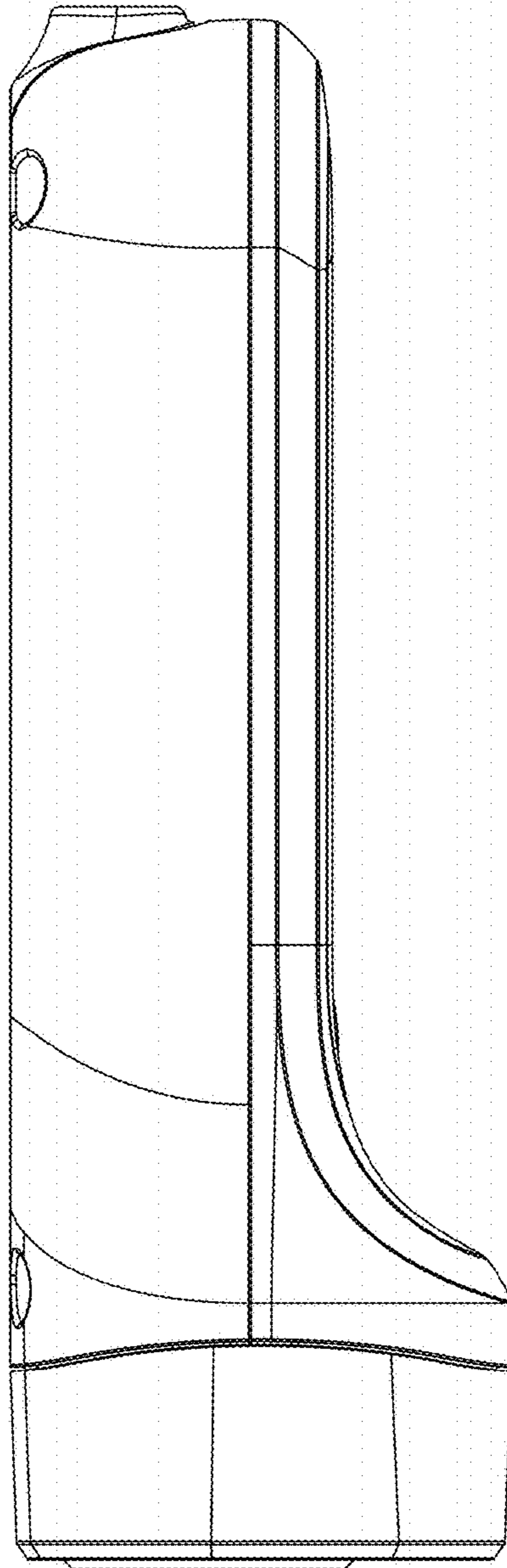


FIG. 5

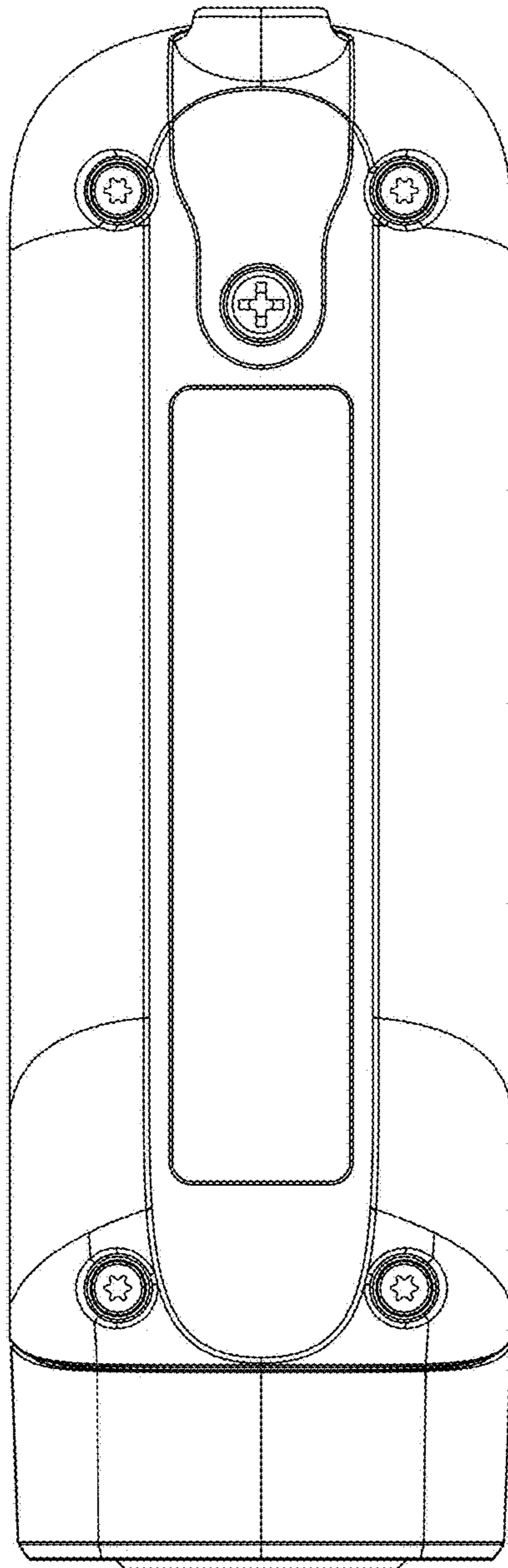


FIG. 6

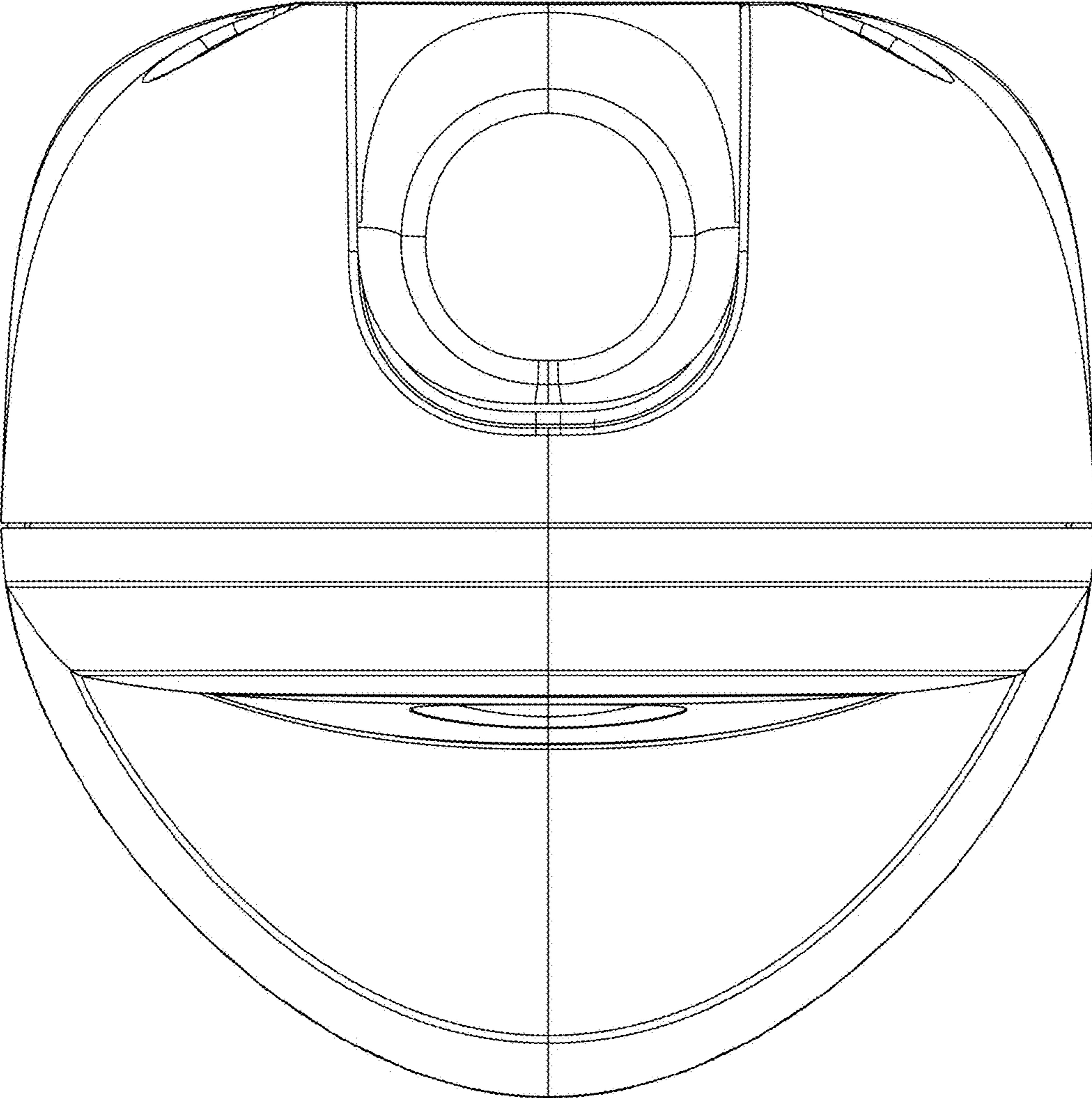


FIG. 7

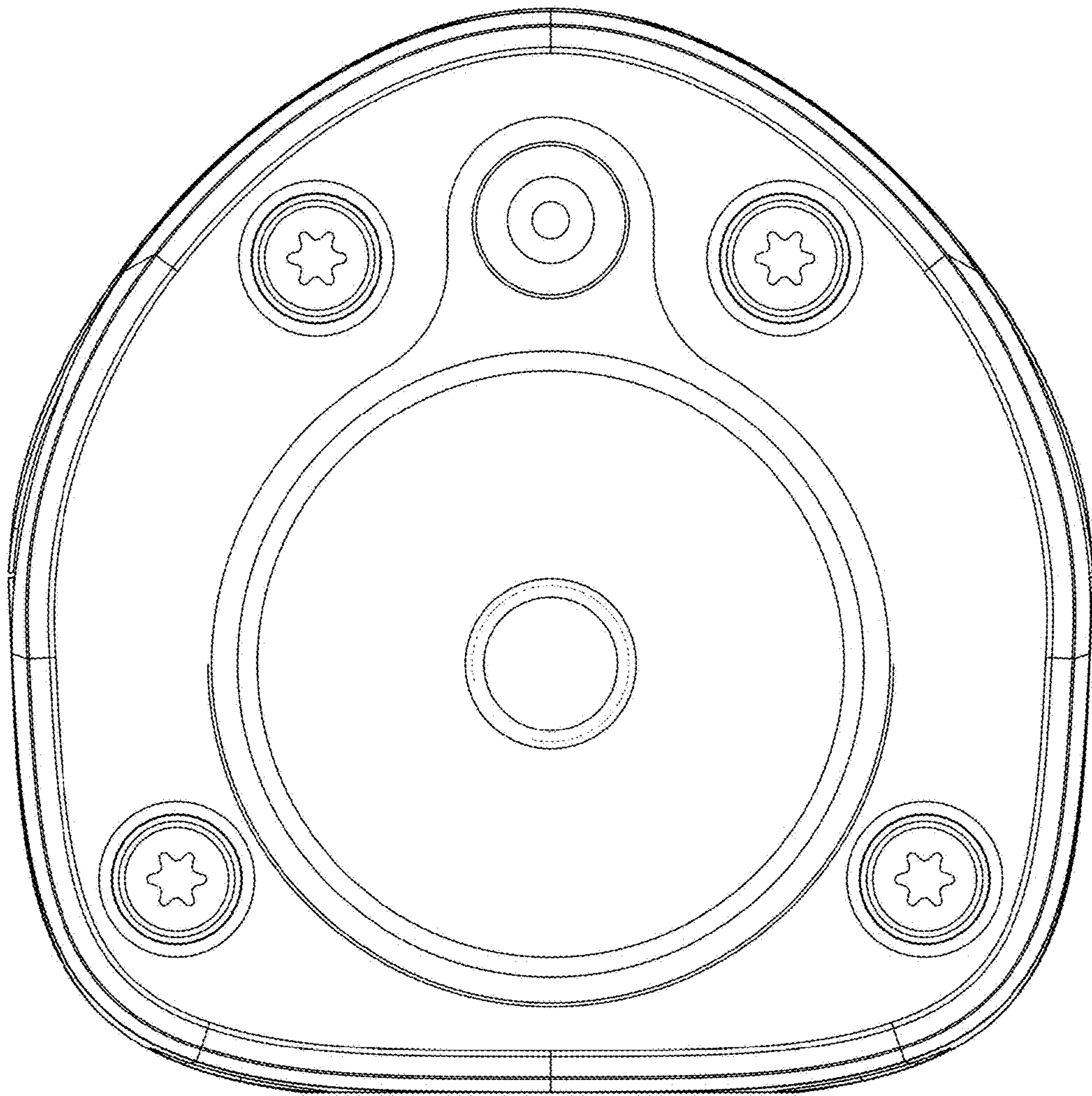


FIG. 8