



US00D841496S

(12) **United States Design Patent** (10) **Patent No.:** **US D841,496 S**
Peterson (45) **Date of Patent:** **** Feb. 26, 2019**

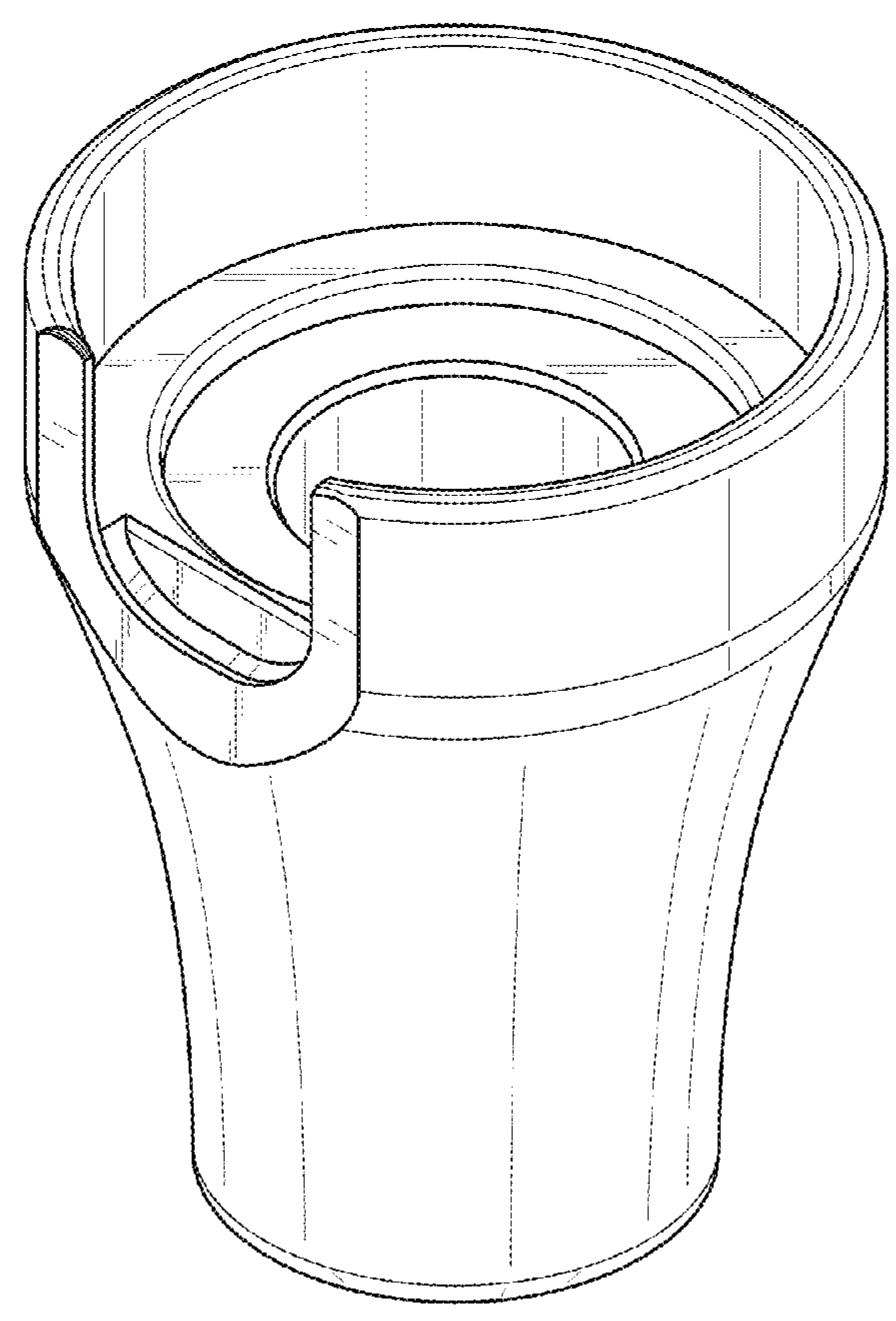
(54) **LASER LEVEL ATTACHMENT**
(71) Applicant: **Scott Peterson**, Stanwood, WA (US)
(72) Inventor: **Scott Peterson**, Stanwood, WA (US)
(**) Term: **15 Years**
(21) Appl. No.: **29/603,545**
(22) Filed: **May 10, 2017**
(51) **LOC (11) Cl.** **10-04**
(52) **U.S. Cl.**
USPC **D10/74; D10/103**
(58) **Field of Classification Search**
USPC D10/74, 64, 65, 71, 103; D15/138, 140,
D15/143
CPC . G01B 3/46; G01B 3/00; G01B 3/002; G01B
3/02; G01B 3/04; G01B 3/207; G01B
3/24; G01B 3/25; G01B 3/245; B43L
7/027; B43L 7/0275; B43L 7/033; Y10T
279/00; Y10T 279/10; Y10T 279/1004;
Y10T 279/1008; Y10T 279/1012; Y10T
279/17; Y10T 279/17205; Y10T
279/17957
See application file for complete search history.

(56) **References Cited**
U.S. PATENT DOCUMENTS
D635,429 S * 4/2011 Hakki D15/140
* cited by examiner
Primary Examiner — Antoine Duval Davis
(74) *Attorney, Agent, or Firm* — Michelle E. Carey;
Telekta Law, P.S.

(57) **CLAIM**
The ornamental design for a laser level attachment, as shown
and described.

DESCRIPTION
FIG. 1 is an isometric view of the laser level attachment,
showing my new design;
FIG. 2 is a front plan view thereof;
FIG. 3 is a rear plan view thereof;
FIG. 4 is a left side plan view thereof;
FIG. 5 is a right side plan view thereof;
FIG. 6 is a top plan view thereof;
FIG. 7 is a bottom plan view thereof
FIG. 8 is an isometric plan view of the laser level attachment
from the bottom side; and,
FIG. 9 is a cross-sectional plan view of the laser level
attachment taken along line 9-9 of FIG. 6.

1 Claim, 9 Drawing Sheets



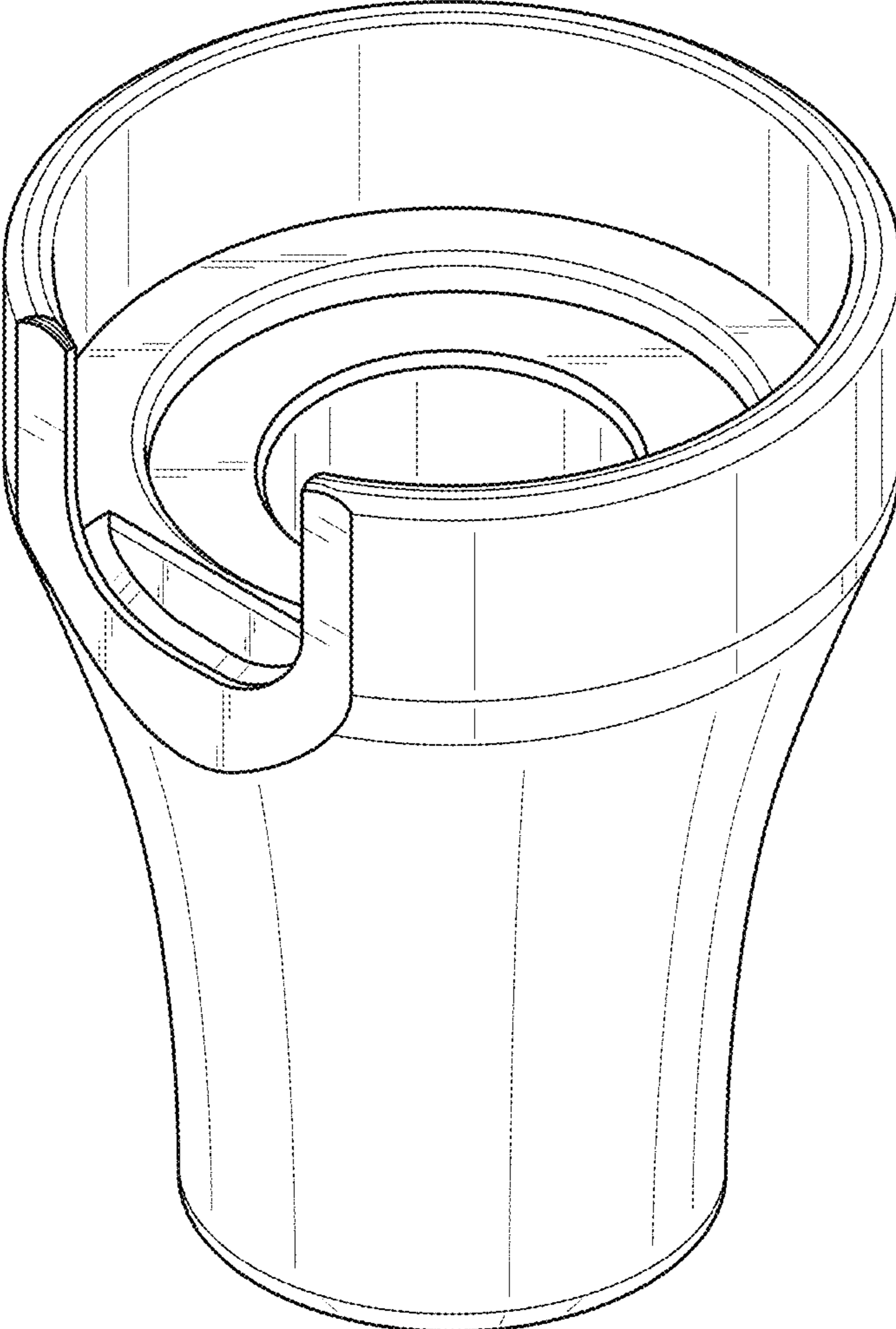


FIG. 1

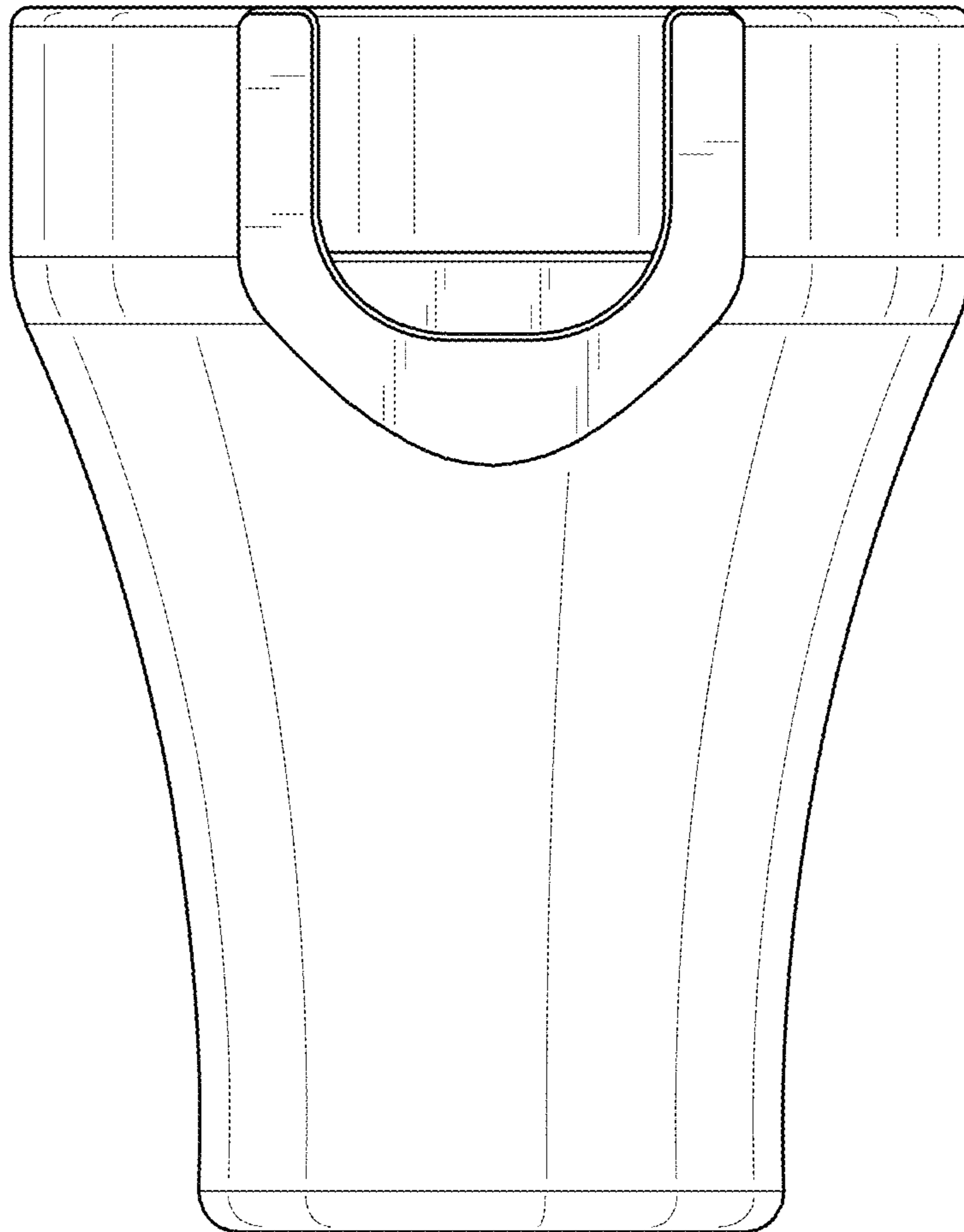


FIG. 2

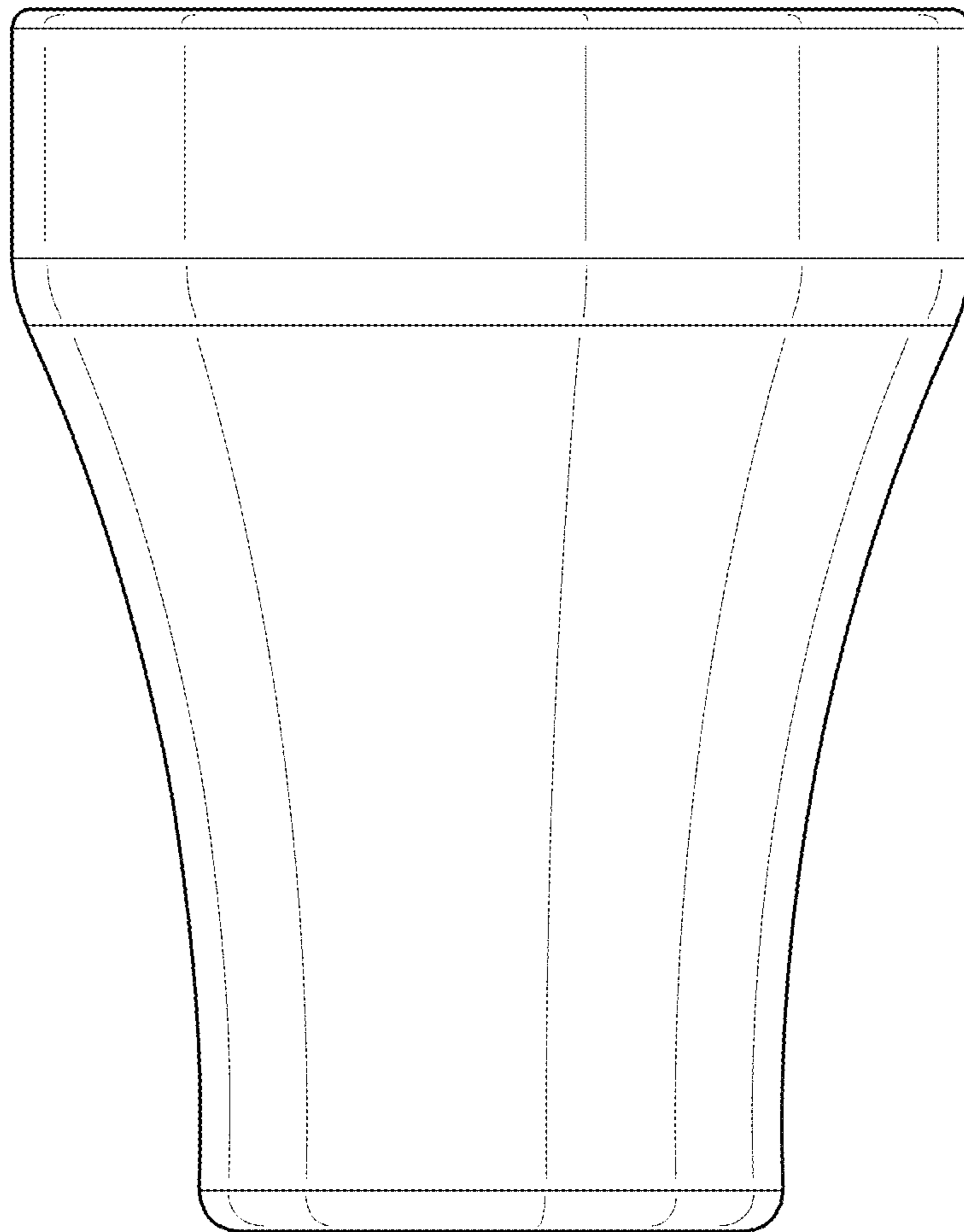


FIG. 3

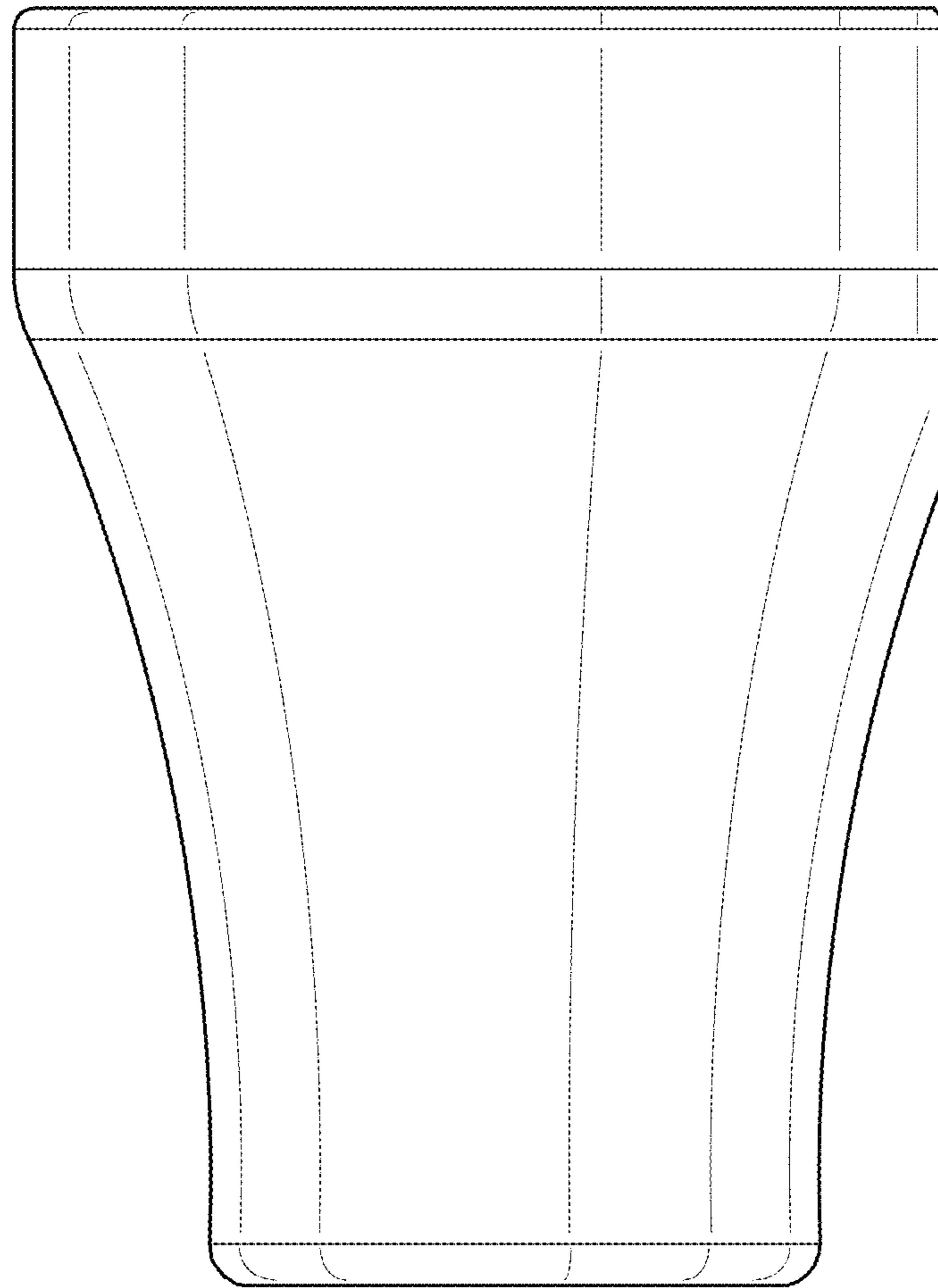


FIG. 4

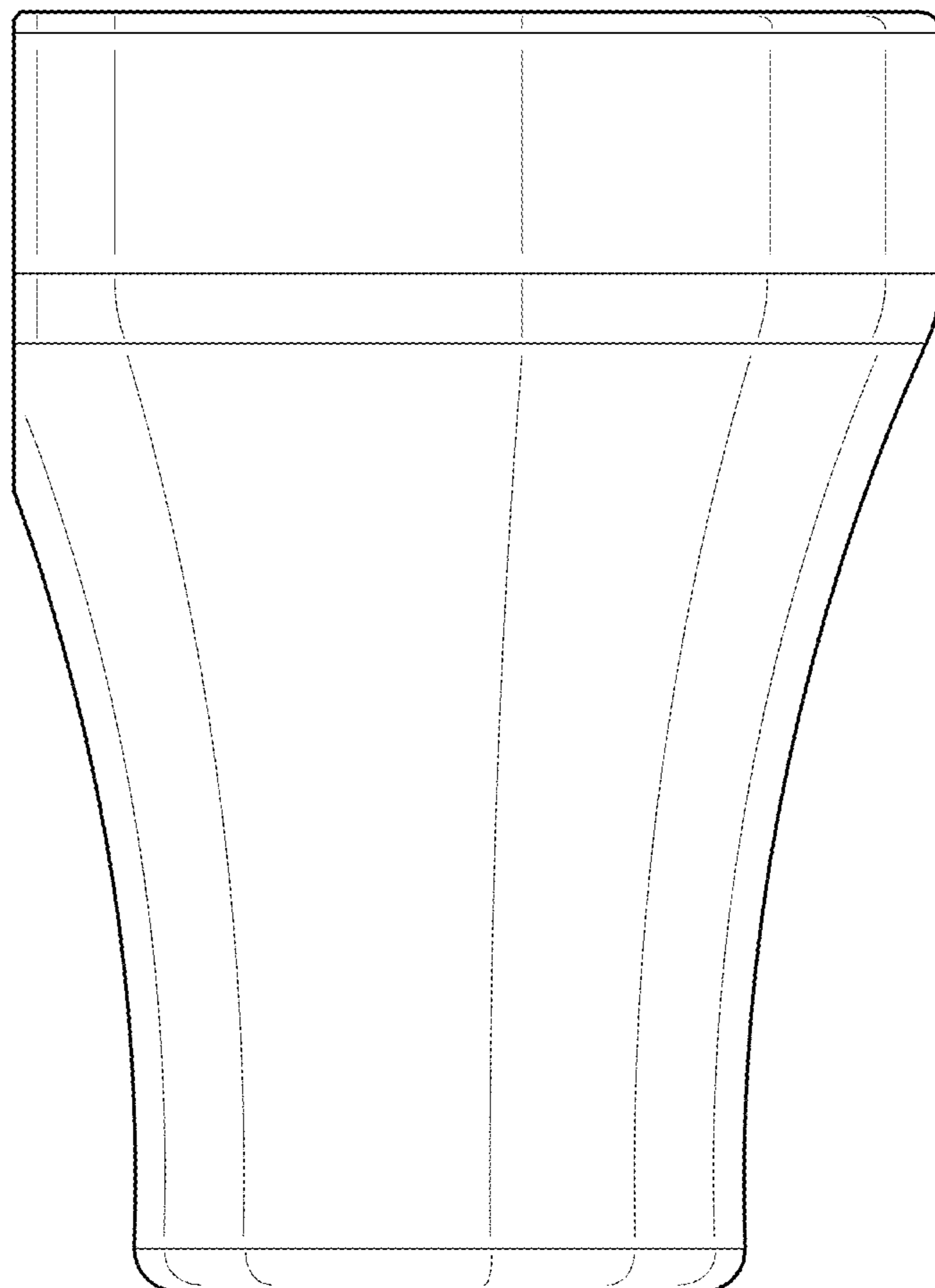


FIG. 5

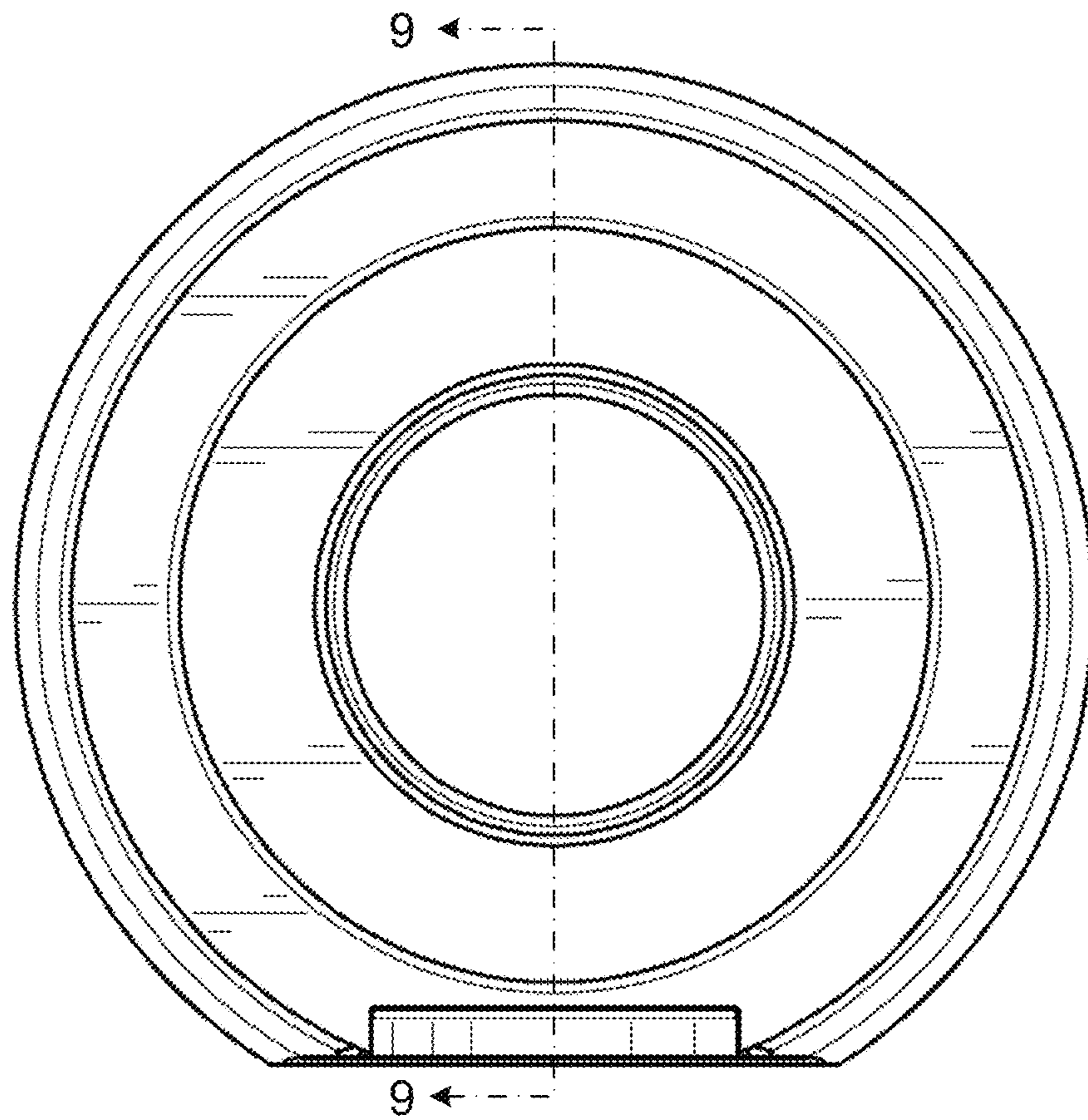


FIG. 6

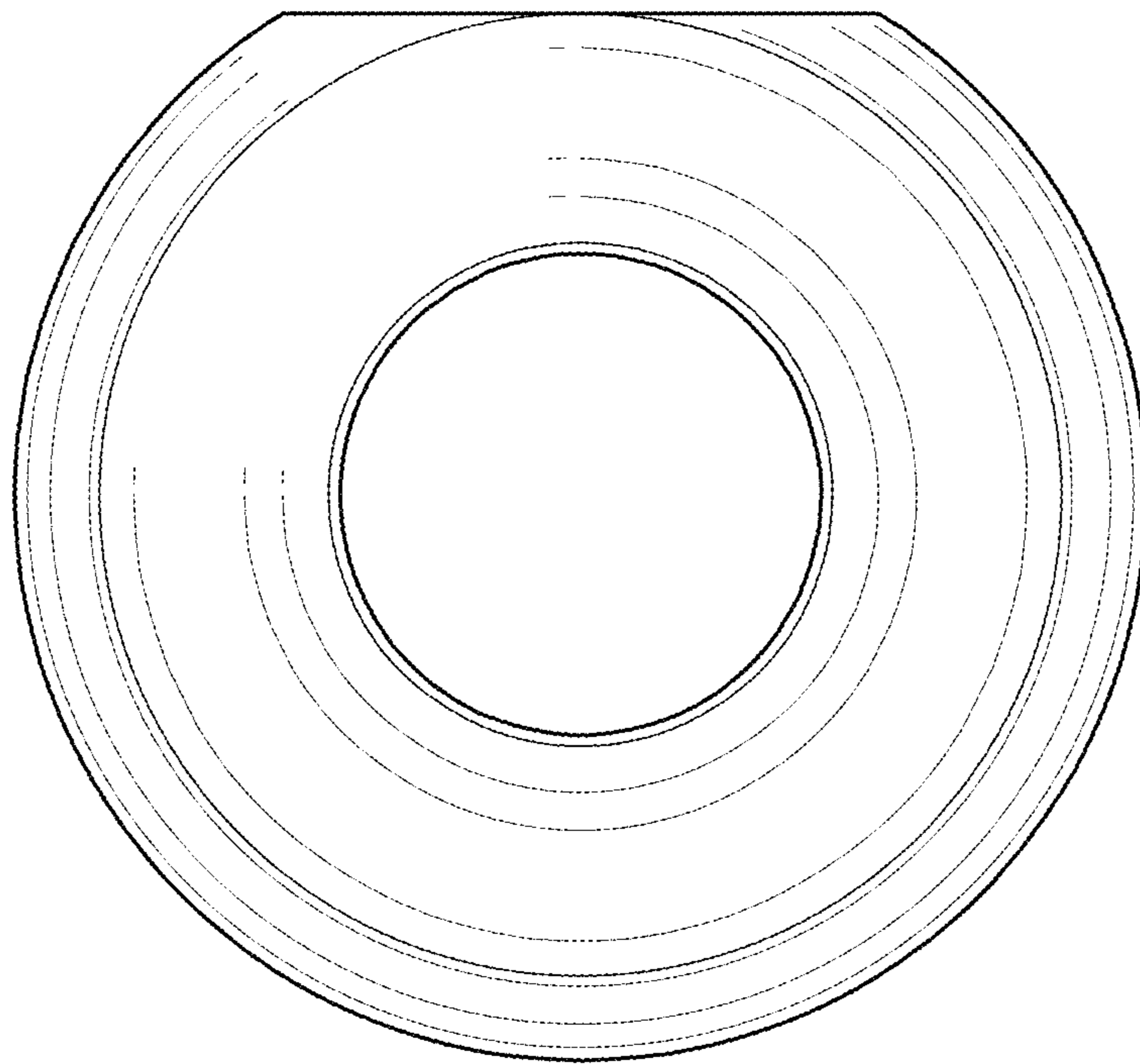


FIG. 7

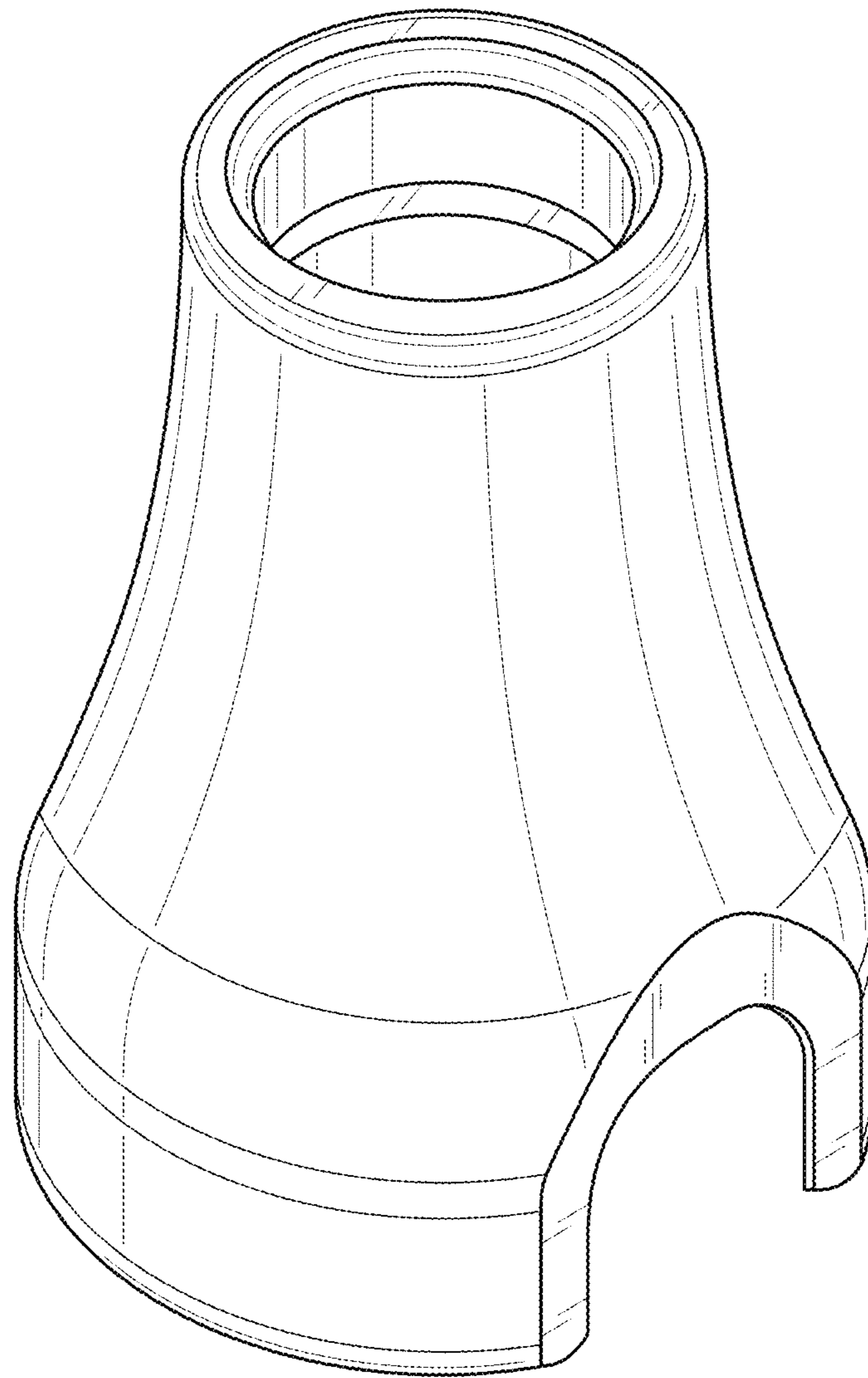


FIG. 8

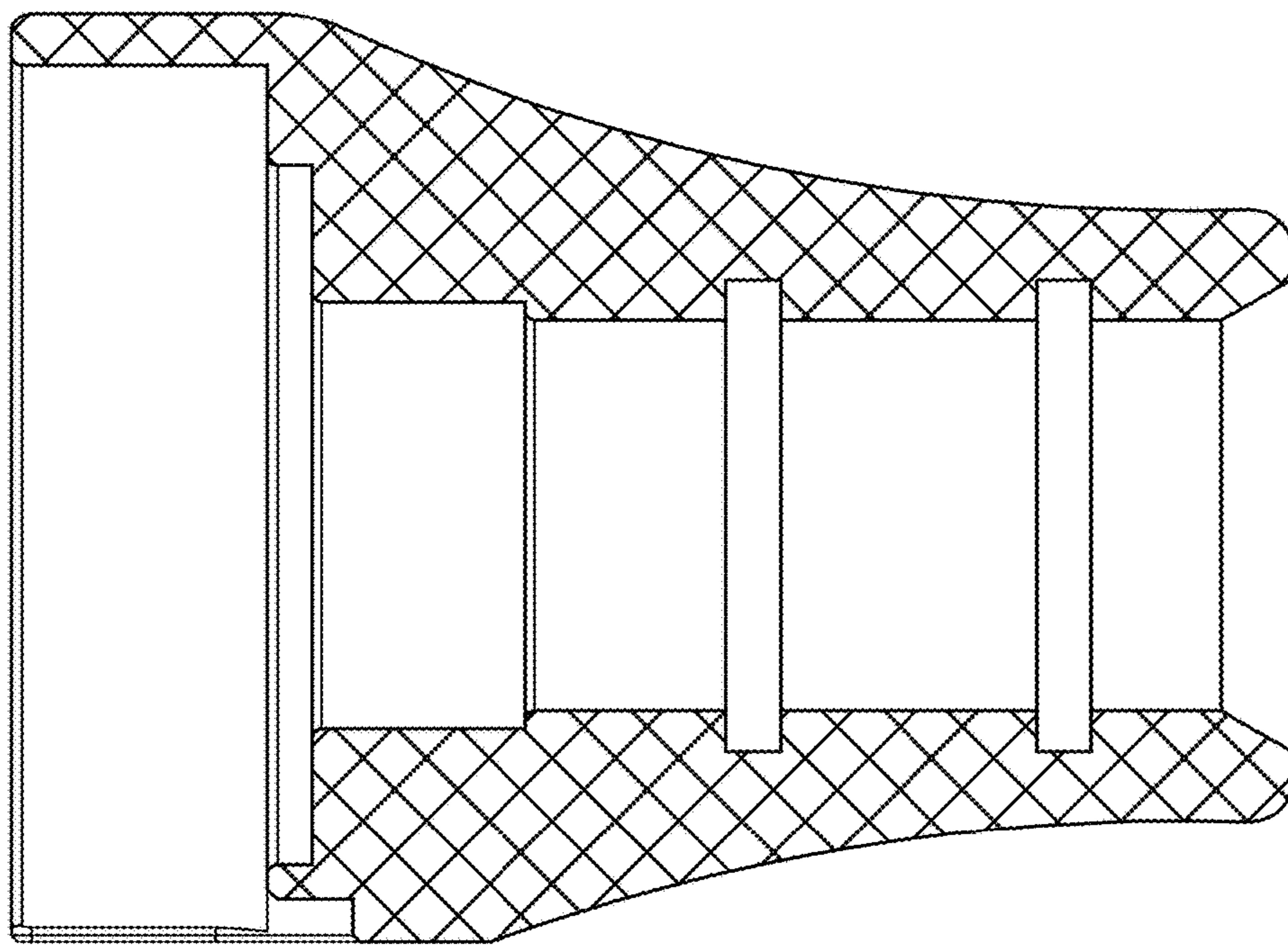


FIG. 9