



US00D841494S

(12) **United States Design Patent**
Liu

(10) **Patent No.:** **US D841,494 S**

(45) **Date of Patent:** **** Feb. 26, 2019**

(54) **BLUETOOTH FOOD THERMOMETER (PRO4)**

(71) Applicant: **SHENZHEN HYPERSYNES CO., LTD**, Shenzhen (CN)

(72) Inventor: **Linqing Liu**, Shenzhen (CN)

(73) Assignee: **SHENZHEN HYPERSYNES CO., LTD**, Shenzhen (CN)

(**) Term: **15 Years**

(21) Appl. No.: **29/633,633**

(22) Filed: **Jan. 15, 2018**

(51) **LOC (11) Cl.** **10-04**

(52) **U.S. Cl.**
USPC **D10/57**

(58) **Field of Classification Search**
USPC D10/57, 58
CPC G01K 2207/02; G01K 2207/04; G01K 2207/06; G01K 2207/08
See application file for complete search history.

(56) **References Cited**

U.S. PATENT DOCUMENTS

- 6,568,848 B1 * 5/2003 Chapman G01K 1/024
340/870.17
- 7,201,099 B2 * 4/2007 Harris, Jr. G01K 1/02
374/E1.002
- D579,800 S * 11/2008 Mobley D10/57

- 7,648,268 B2 * 1/2010 Yerlikaya G01K 13/002
29/602.1
- 7,722,248 B1 * 5/2010 Chapman G01K 1/024
340/870.17
- 9,625,327 B1 * 4/2017 Bernstein G01K 1/022
- 9,677,950 B2 * 6/2017 Feyh G01K 13/00
- D795,093 S * 8/2017 Stanton D10/57
- 10,074,255 B2 * 9/2018 Prabhakar G08B 17/06

* cited by examiner

Primary Examiner — Antoine Duval Davis

(74) *Attorney, Agent, or Firm* — Wayne & Ken, LLC;
Tony Hom

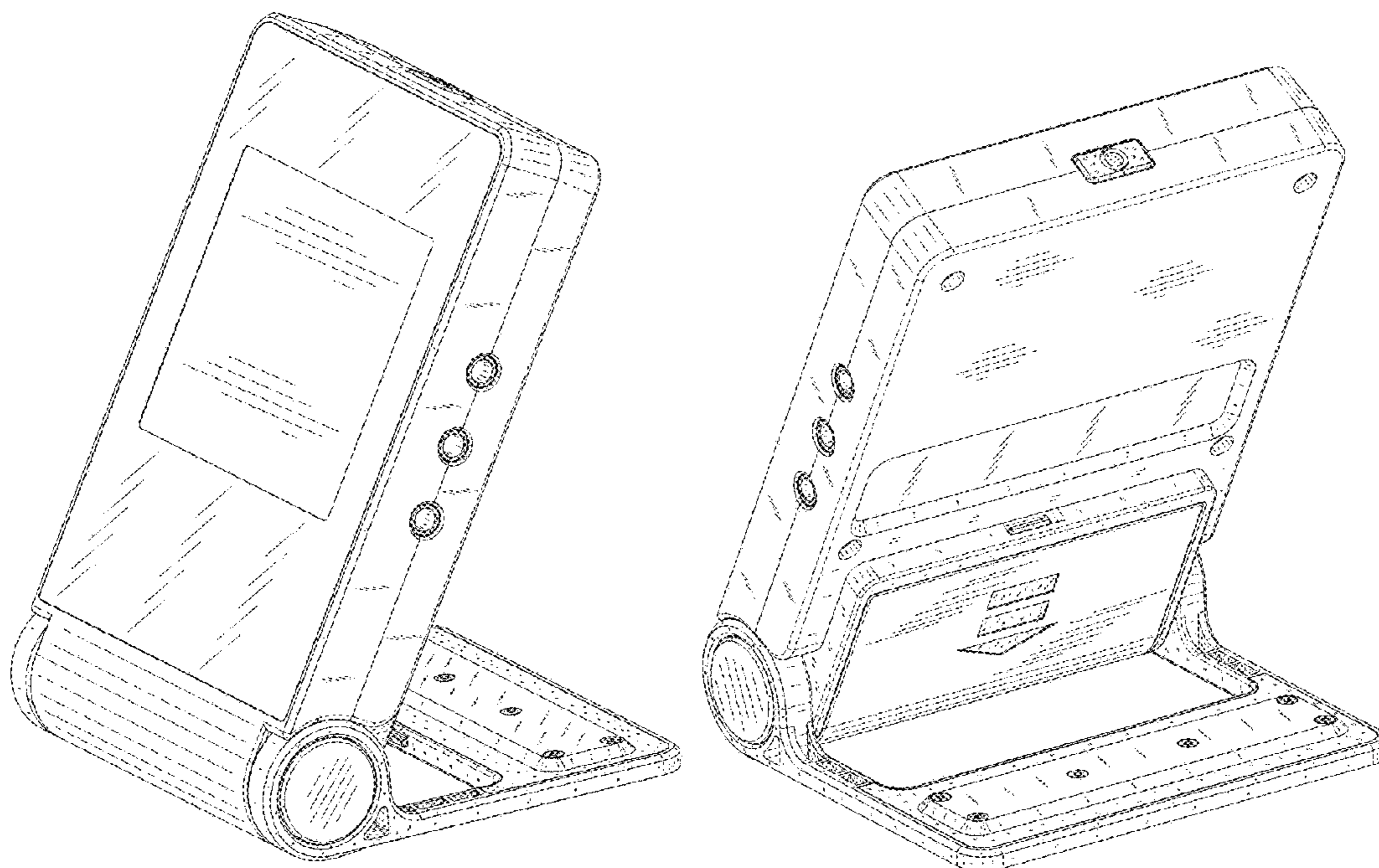
(57) **CLAIM**

A new, original, ornamental design for a bluetooth food thermometer (PRO4), as shown and described.

DESCRIPTION

FIG. 1 is a perspective view of a bluetooth food thermometer (PRO4) showing my new design;
 FIG. 2 is a front view thereof;
 FIG. 3 is a back view thereof;
 FIG. 4 is a left view thereof;
 FIG. 5 is a right view thereof;
 FIG. 6 is a top view thereof;
 FIG. 7 is a bottom view thereof;
 FIG. 8 is a perspective view when the bluetooth food thermometer (PRO4) is in working state; and,
 FIG. 9 is another perspective view when the bluetooth food thermometer (PRO4) is in working state.

1 Claim, 9 Drawing Sheets



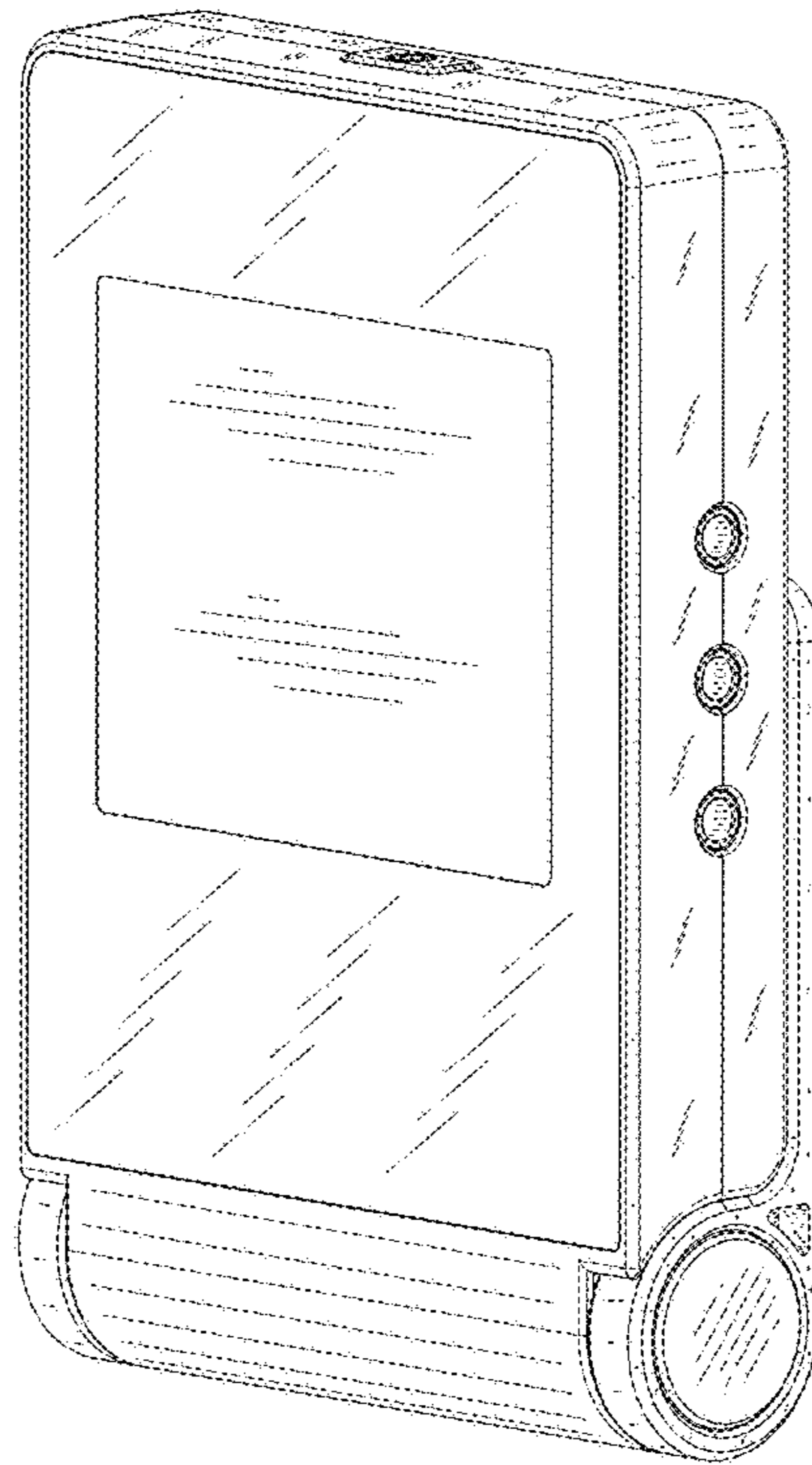


FIG .1

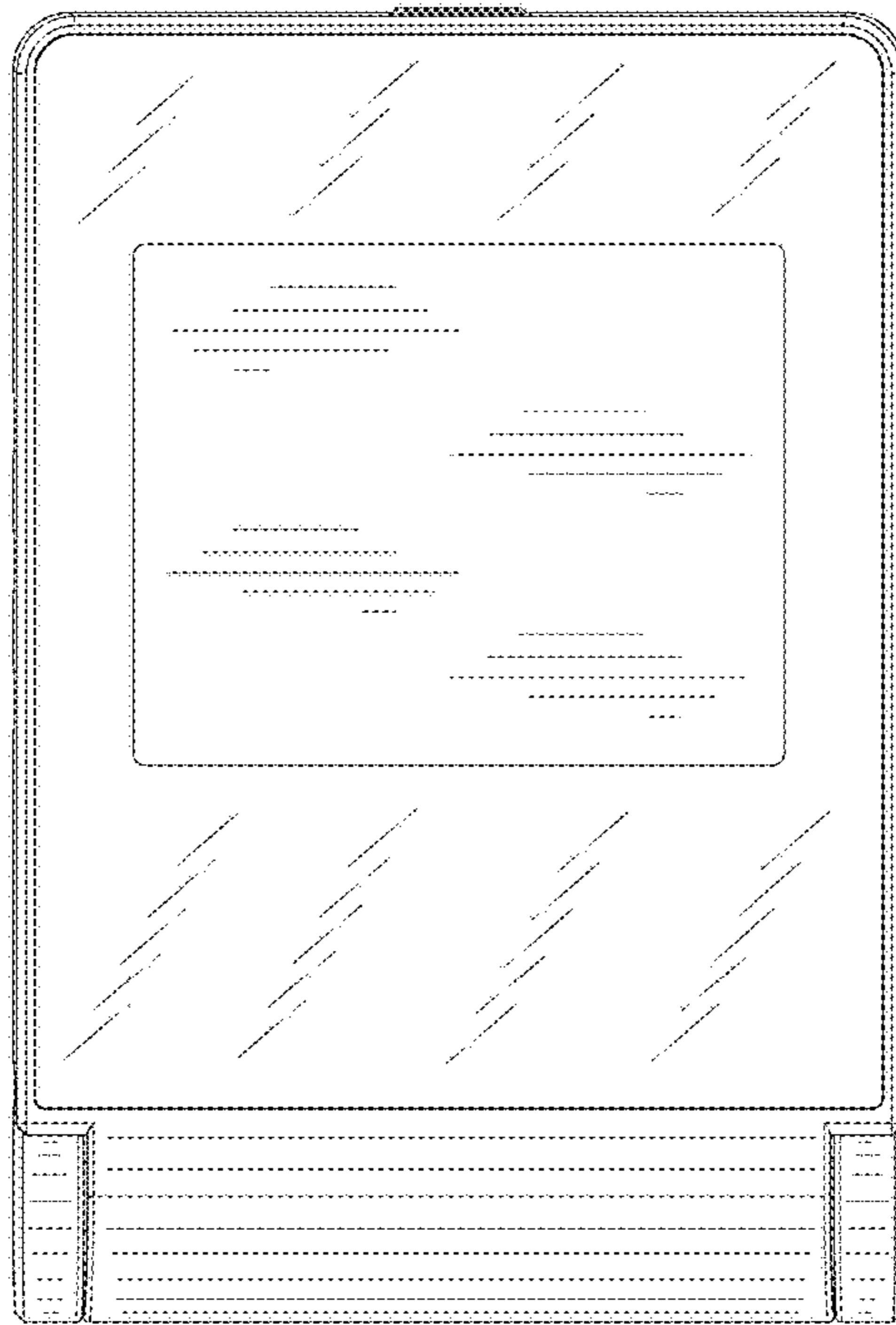


FIG .2

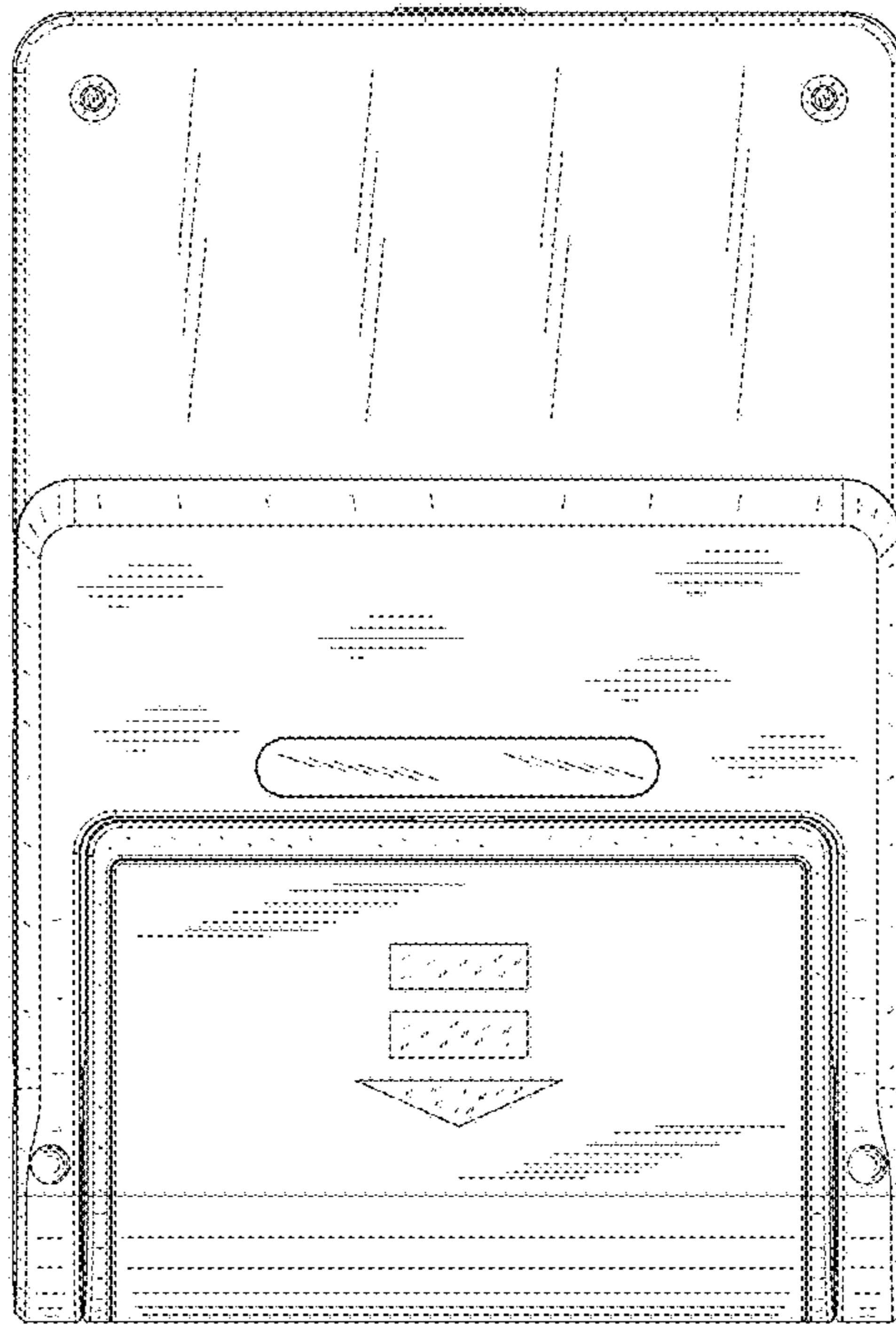


FIG .3

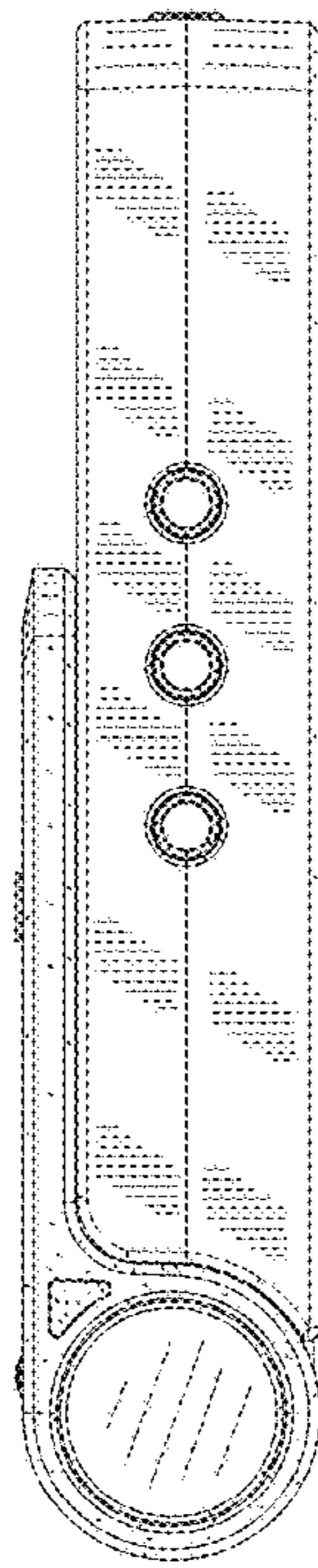


FIG .4

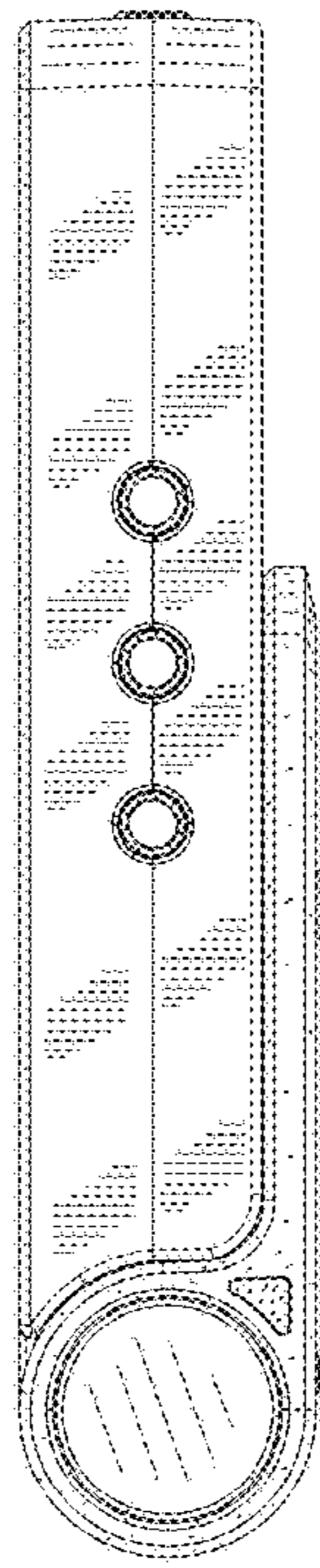


FIG .5

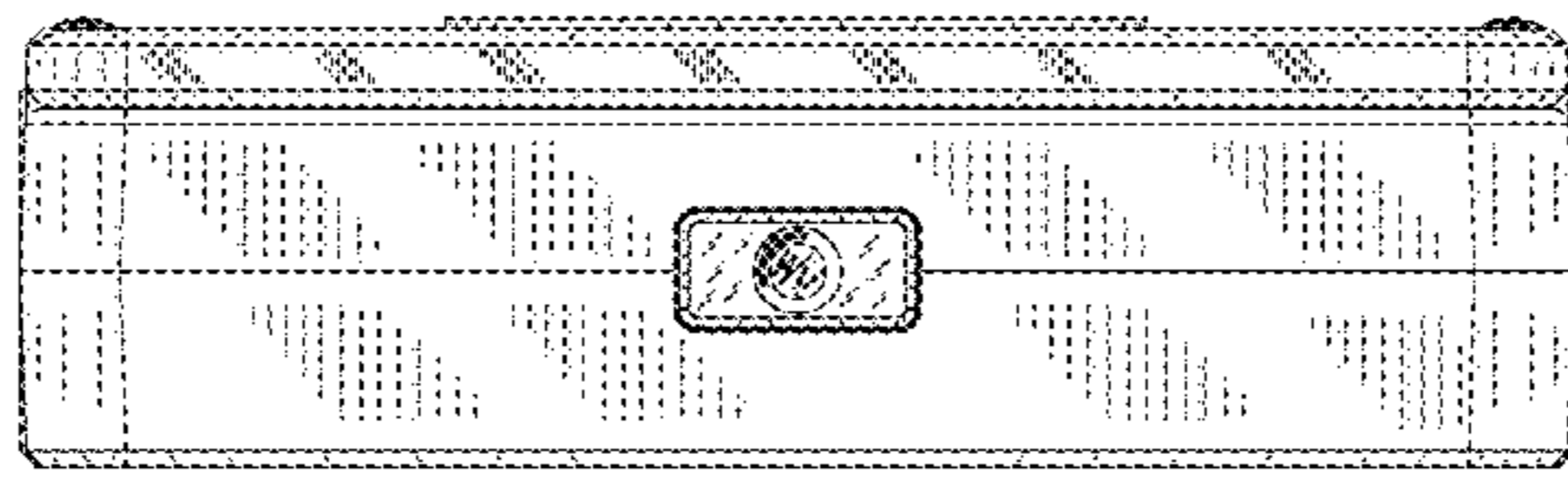


FIG .6

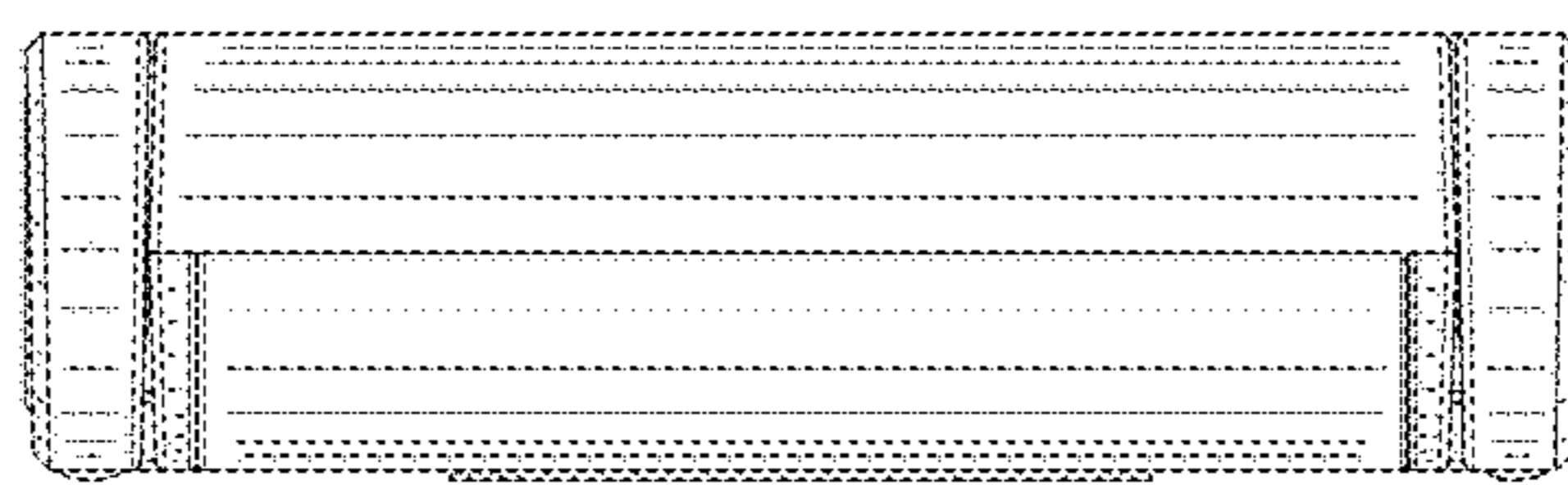


FIG .7

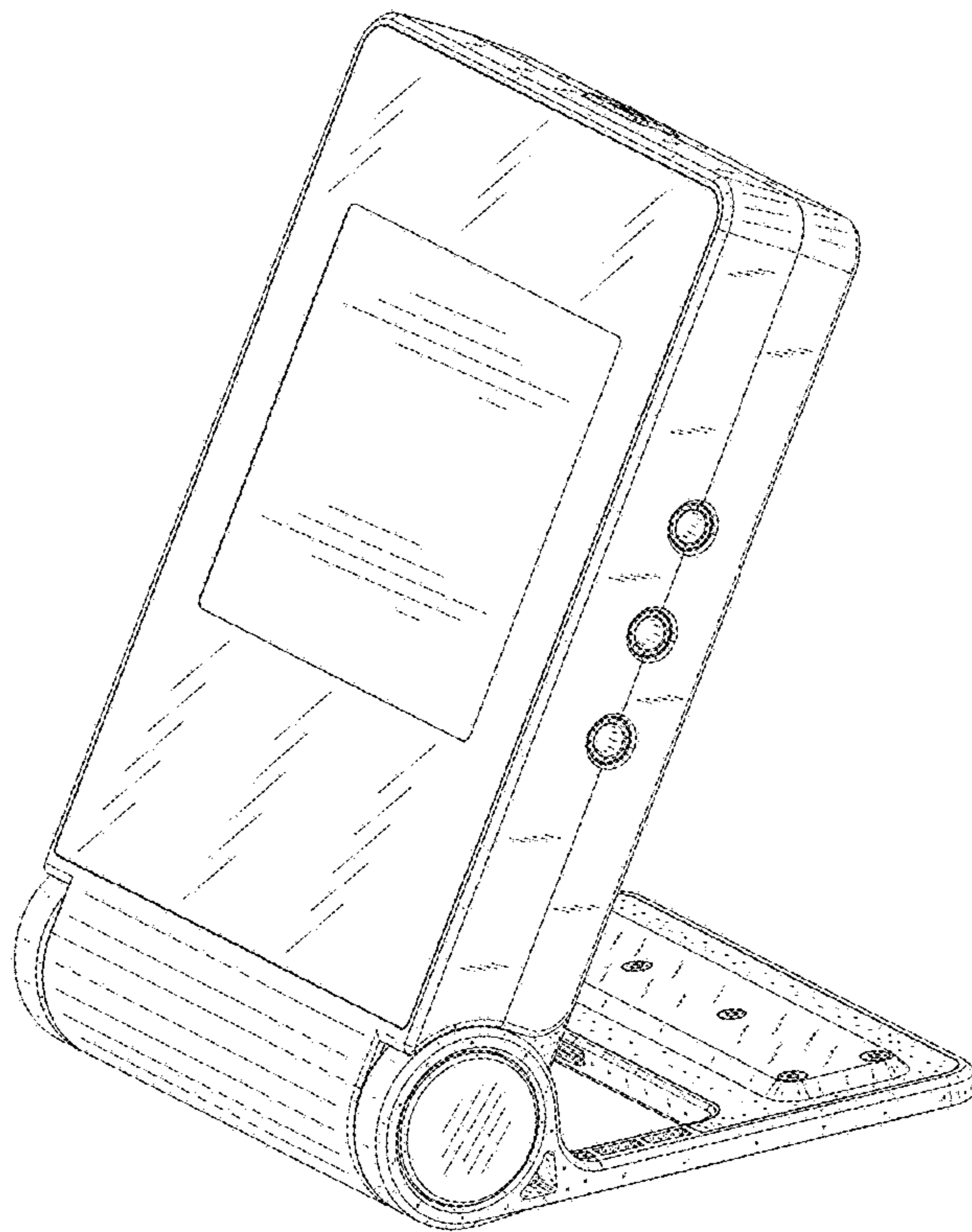


FIG .8

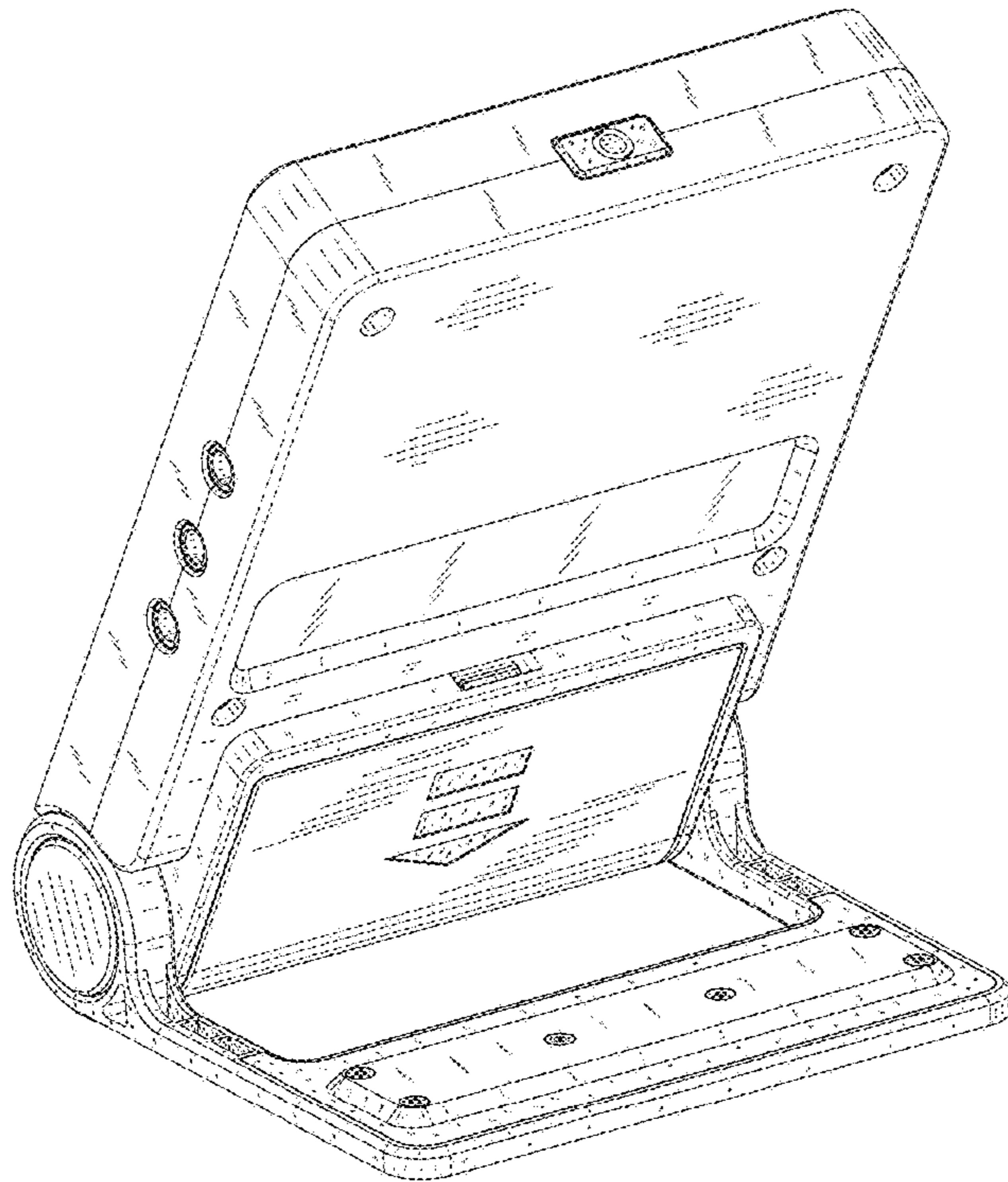


FIG .9