



US00D841493S

(12) **United States Design Patent**
Liu

(10) **Patent No.:** **US D841,493 S**

(45) **Date of Patent:** **** Feb. 26, 2019**

(54) **BLUETOOTH FOOD THERMOMETER (PRO3)**

(71) Applicant: **SHENZHEN HYPERSYNES CO., LTD**, Shenzhen (CN)

(72) Inventor: **Linqing Liu**, Shenzhen (CN)

(73) Assignee: **SHENZHEN HYPERSYNES CO., LTD**, Shenzhen (CN)

(**) Term: **15 Years**

(21) Appl. No.: **29/633,625**

(22) Filed: **Jan. 15, 2018**

(51) **LOC (11) Cl.** **10-04**

(52) **U.S. Cl.**
USPC **D10/57**

(58) **Field of Classification Search**
USPC D10/57, 58
CPC G01K 2207/02; G01K 2207/04; G01K 2207/06; G01K 2207/08

See application file for complete search history.

(56) **References Cited**

U.S. PATENT DOCUMENTS

D472,480 S * 4/2003 Chung D10/57
6,568,848 B1 * 5/2003 Chapman G01K 1/024
340/870.17

7,201,099 B2 * 4/2007 Harris, Jr. G01K 1/02
374/E1.002

7,648,268 B2 * 1/2010 Yerlikaya G01K 13/002
29/602.1

7,722,248 B1 * 5/2010 Chapman G01K 1/024
340/870.17

10,074,255 B2 * 9/2018 Prabhakar G08B 17/06

* cited by examiner

Primary Examiner — Antoine Duval Davis

(74) *Attorney, Agent, or Firm* — Wayne & Ken, LLC;
Tony Hom

(57) **CLAIM**

A new, original, ornamental design for a bluetooth food thermometer (PRO3), as shown and described.

DESCRIPTION

FIG. 1 is a front view of a bluetooth food thermometer (PRO3) showing my new design;

FIG. 2 is a back view thereof;

FIG. 3 is a left view thereof;

FIG. 4 is a right view thereof;

FIG. 5 is a top view thereof;

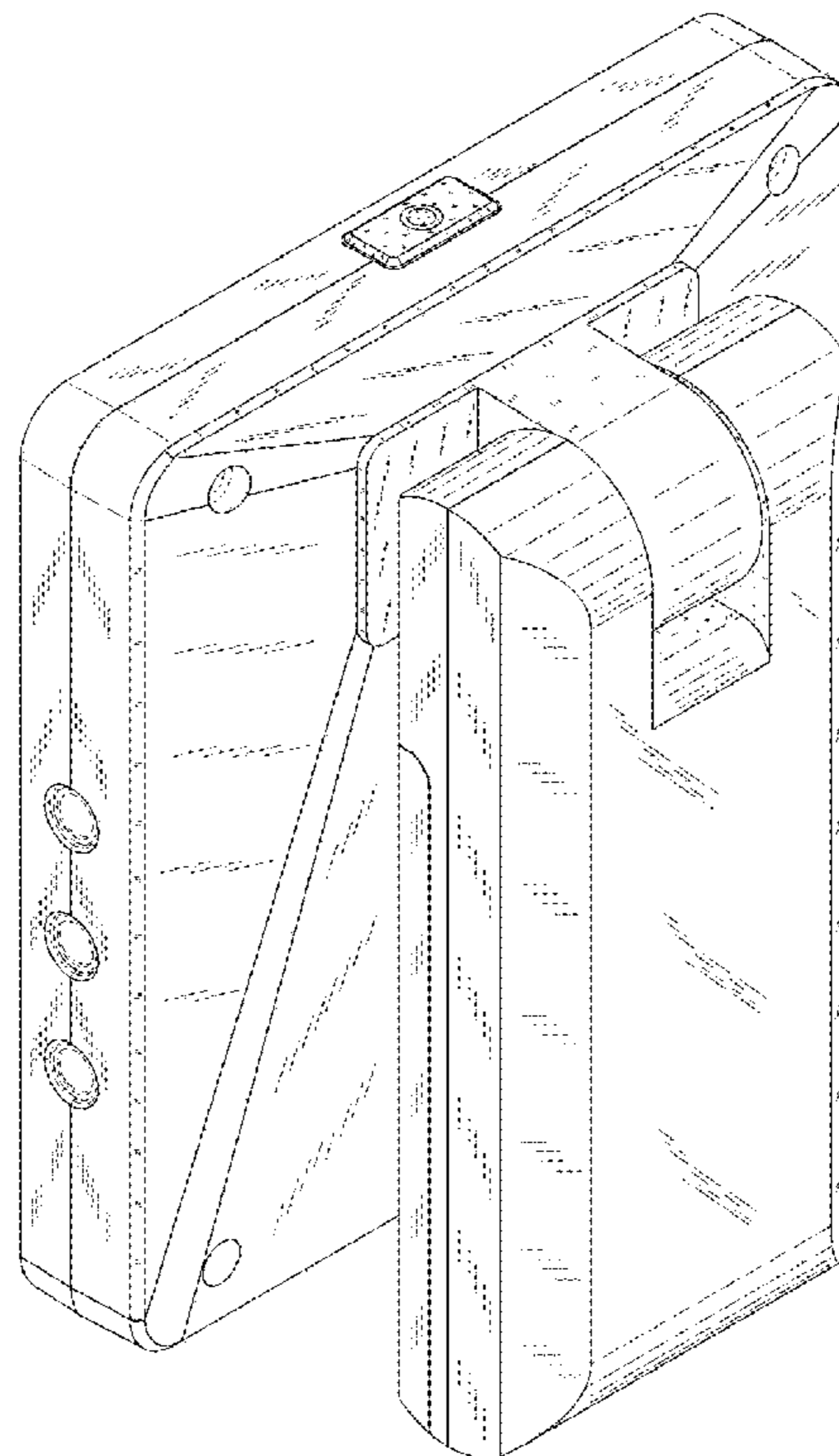
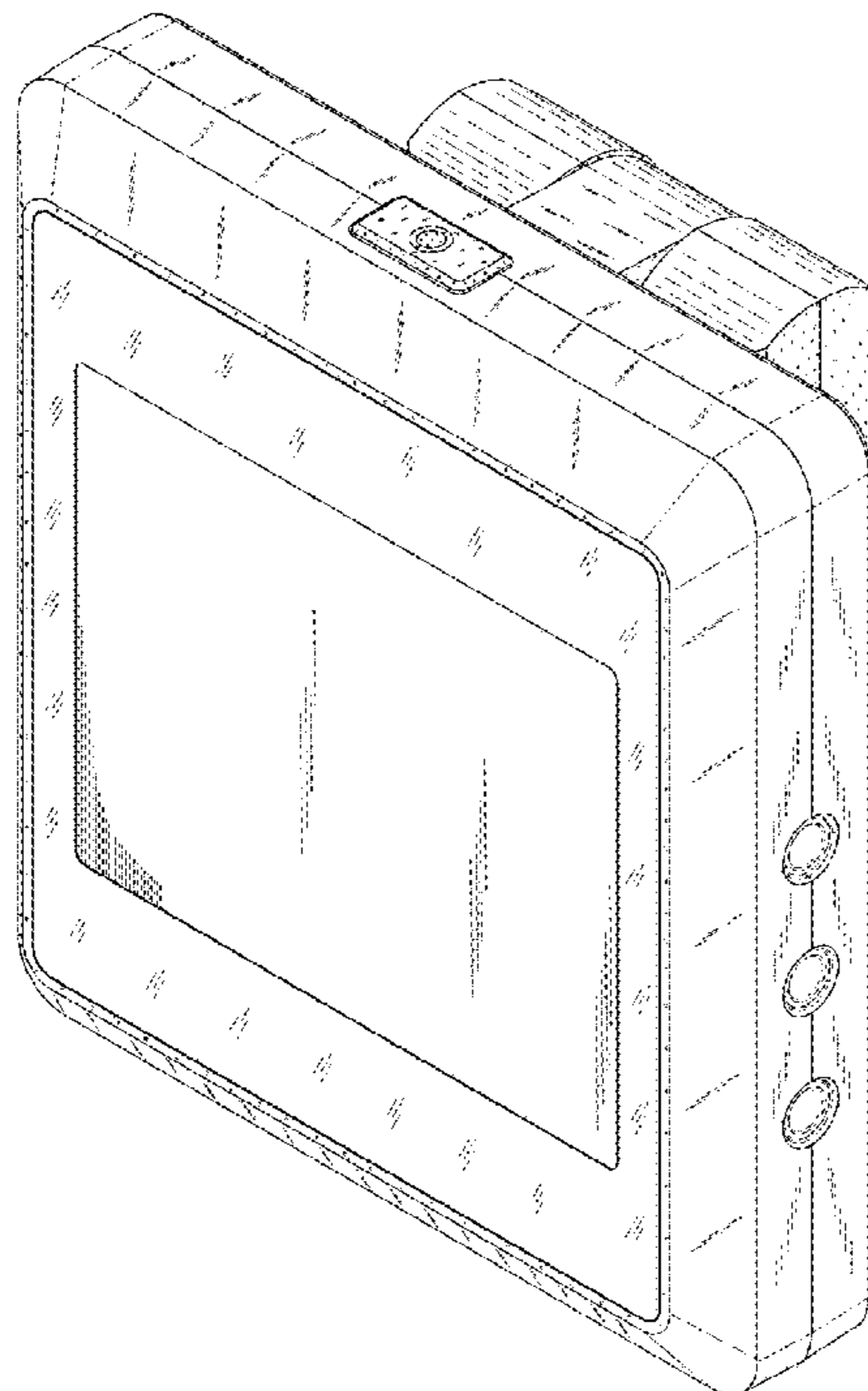
FIG. 6 is a bottom view thereof;

FIG. 7 is a perspective view; and,

FIG. 8 is another perspective thereof.

The broken lines in the drawing depict environmental subject matter only and form no part of the claimed design.

1 Claim, 8 Drawing Sheets



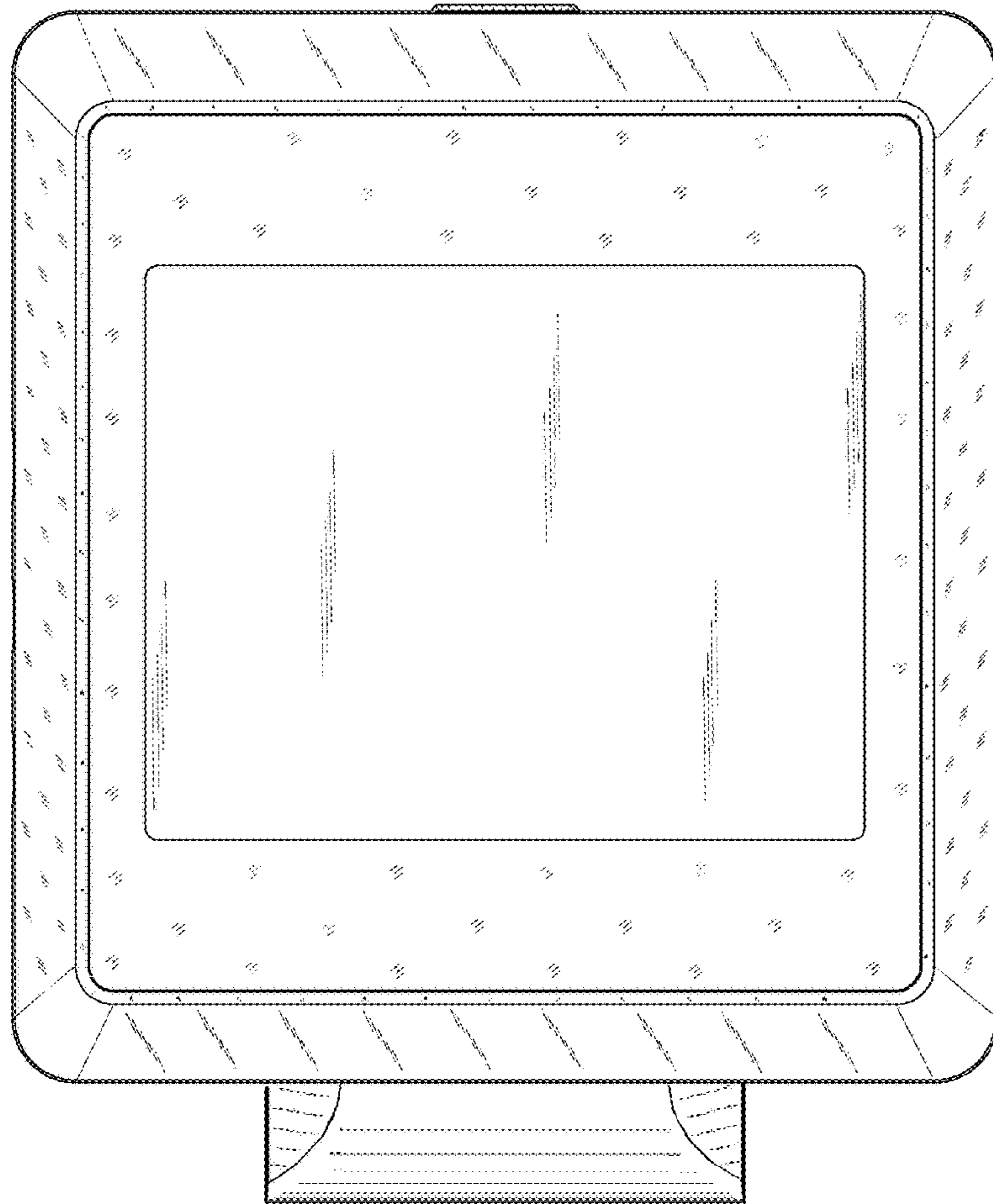


Fig. 1

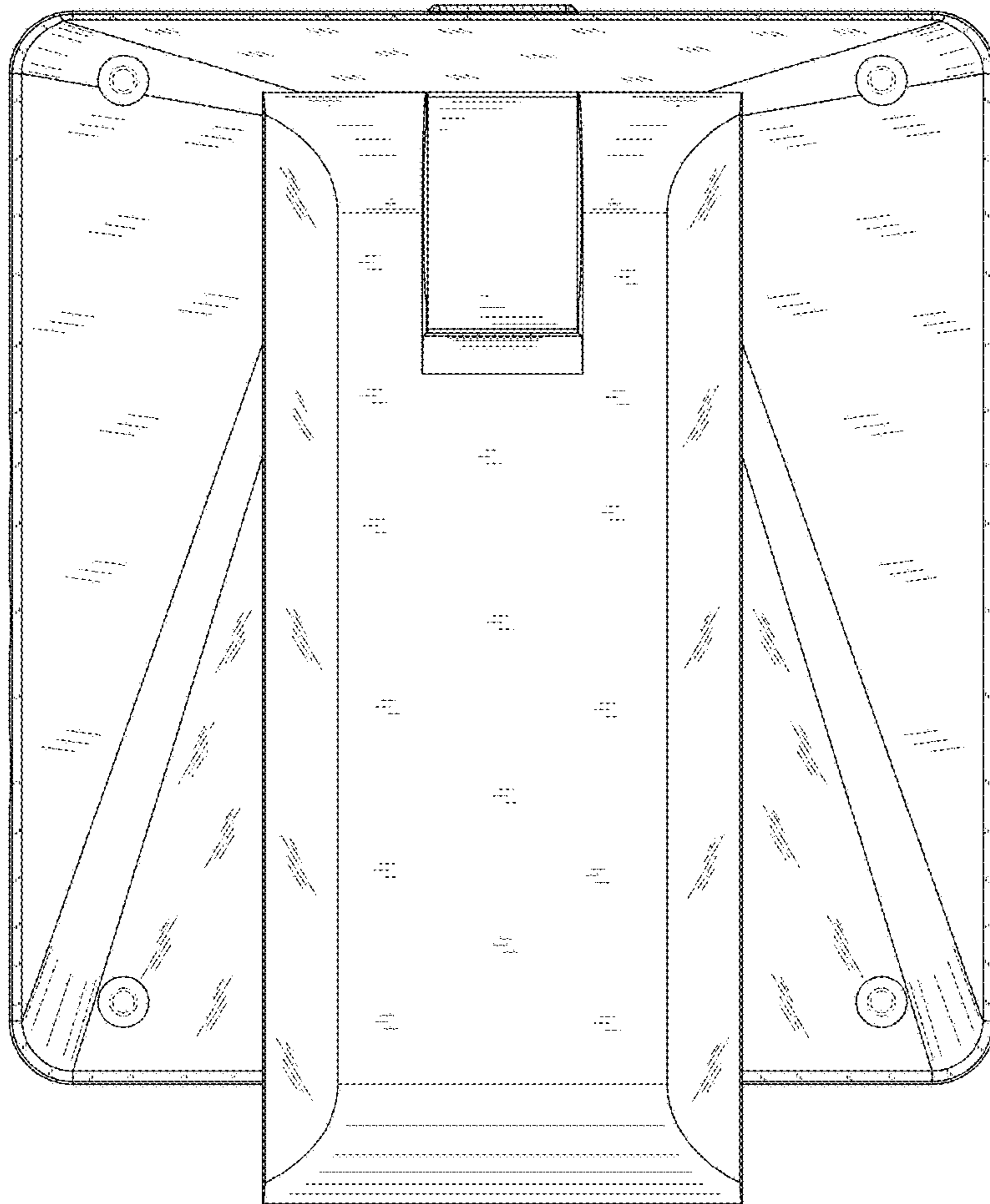


Fig. 2

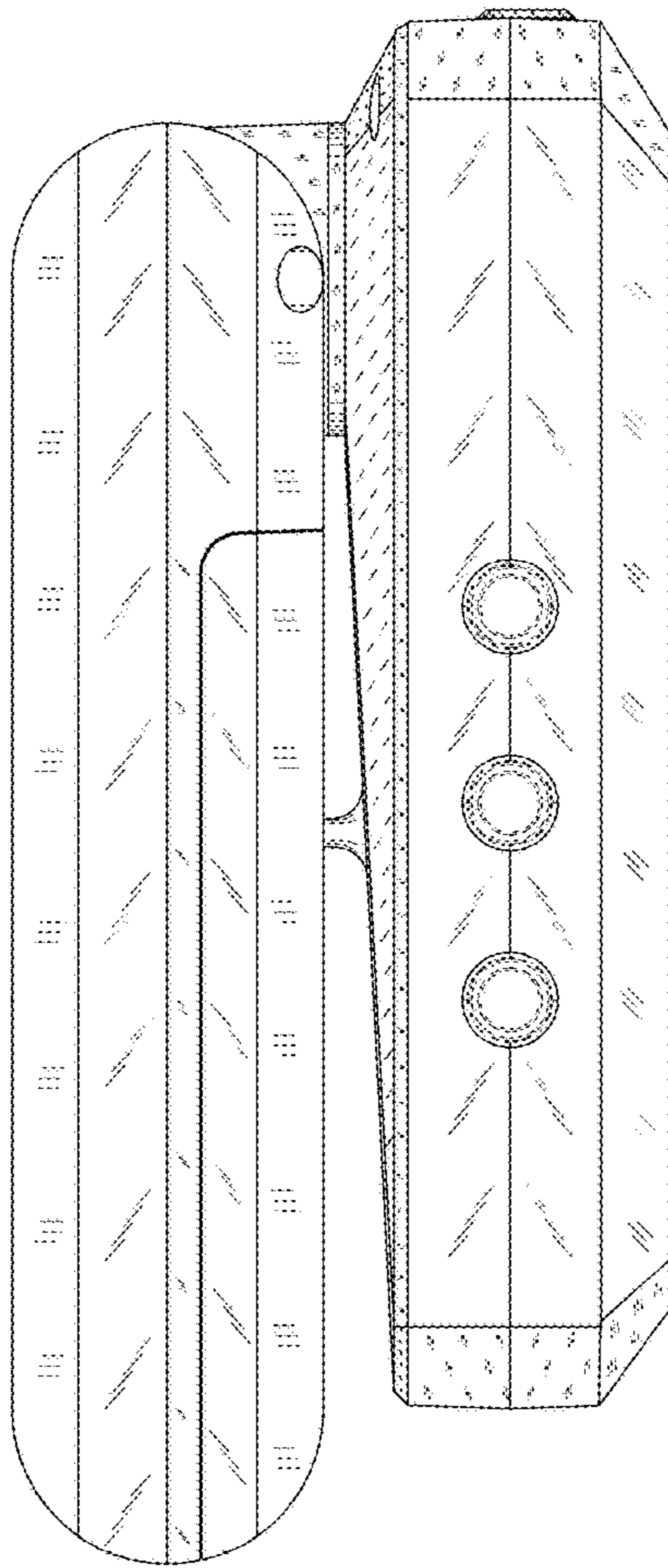


Fig. 3

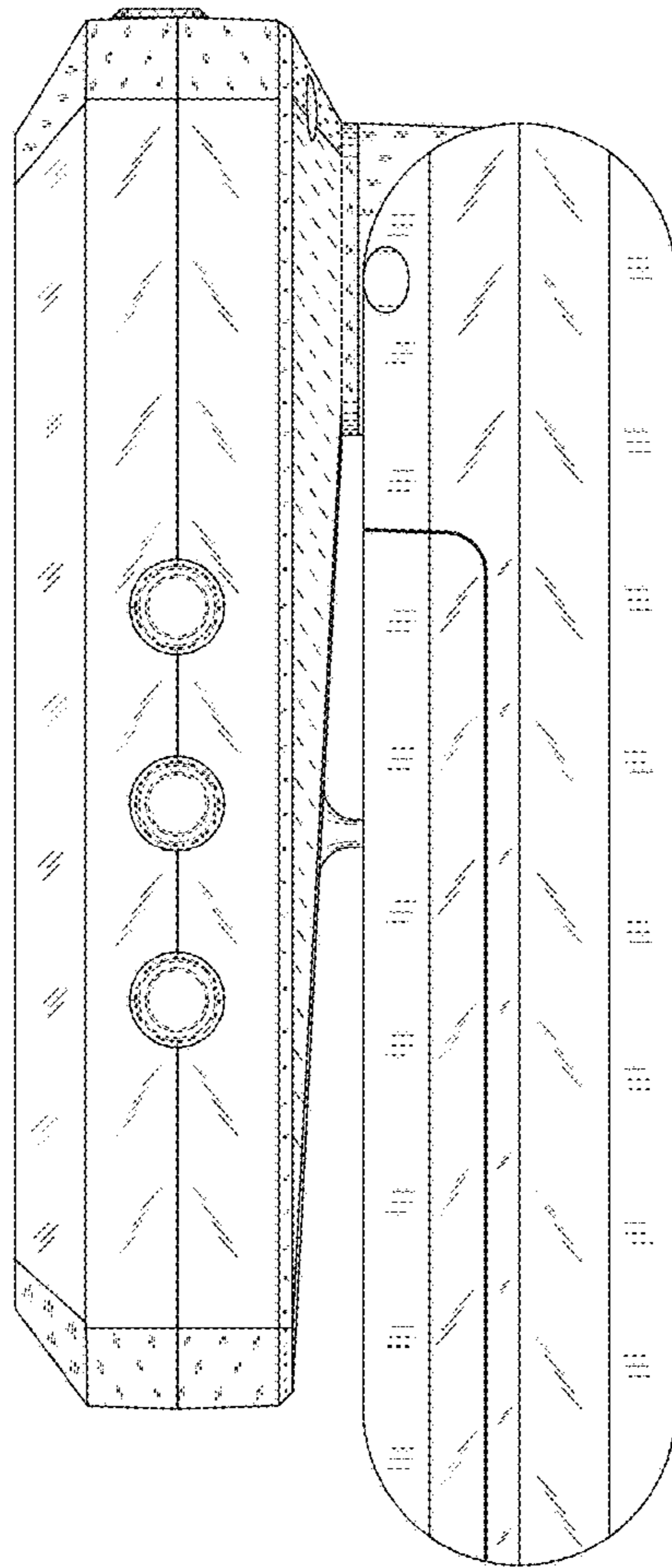


Fig. 4

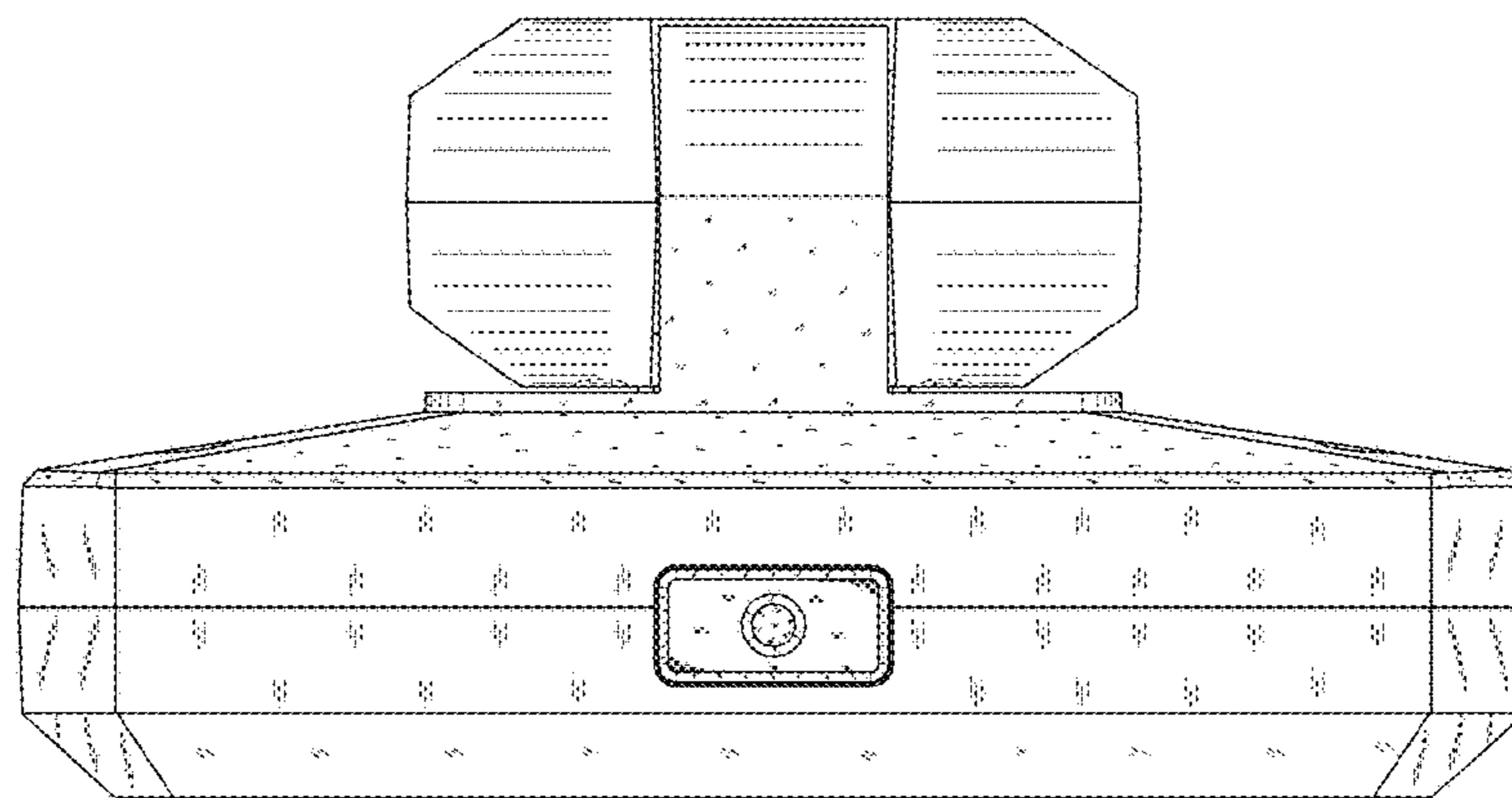


Fig. 5

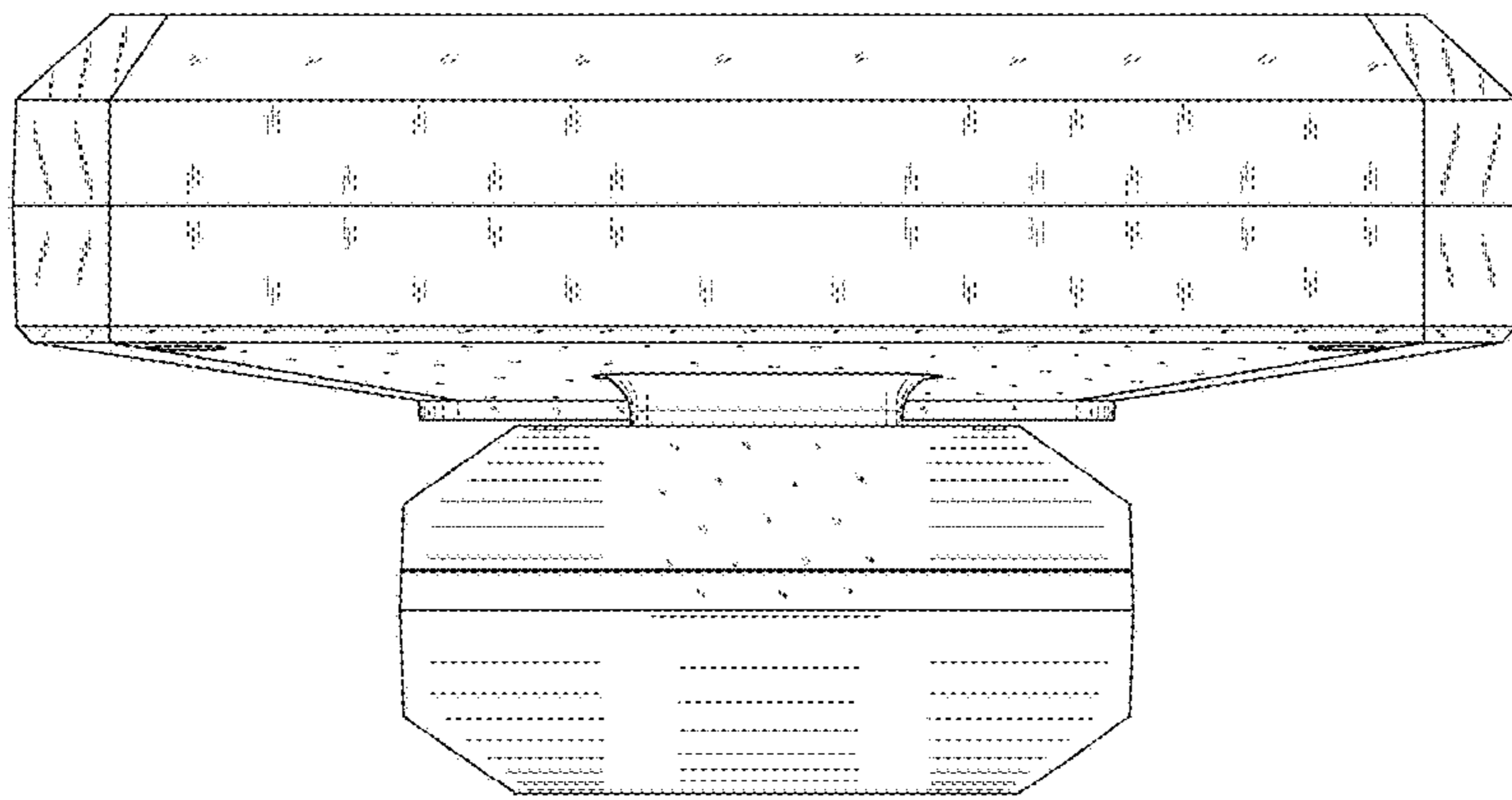


Fig. 6

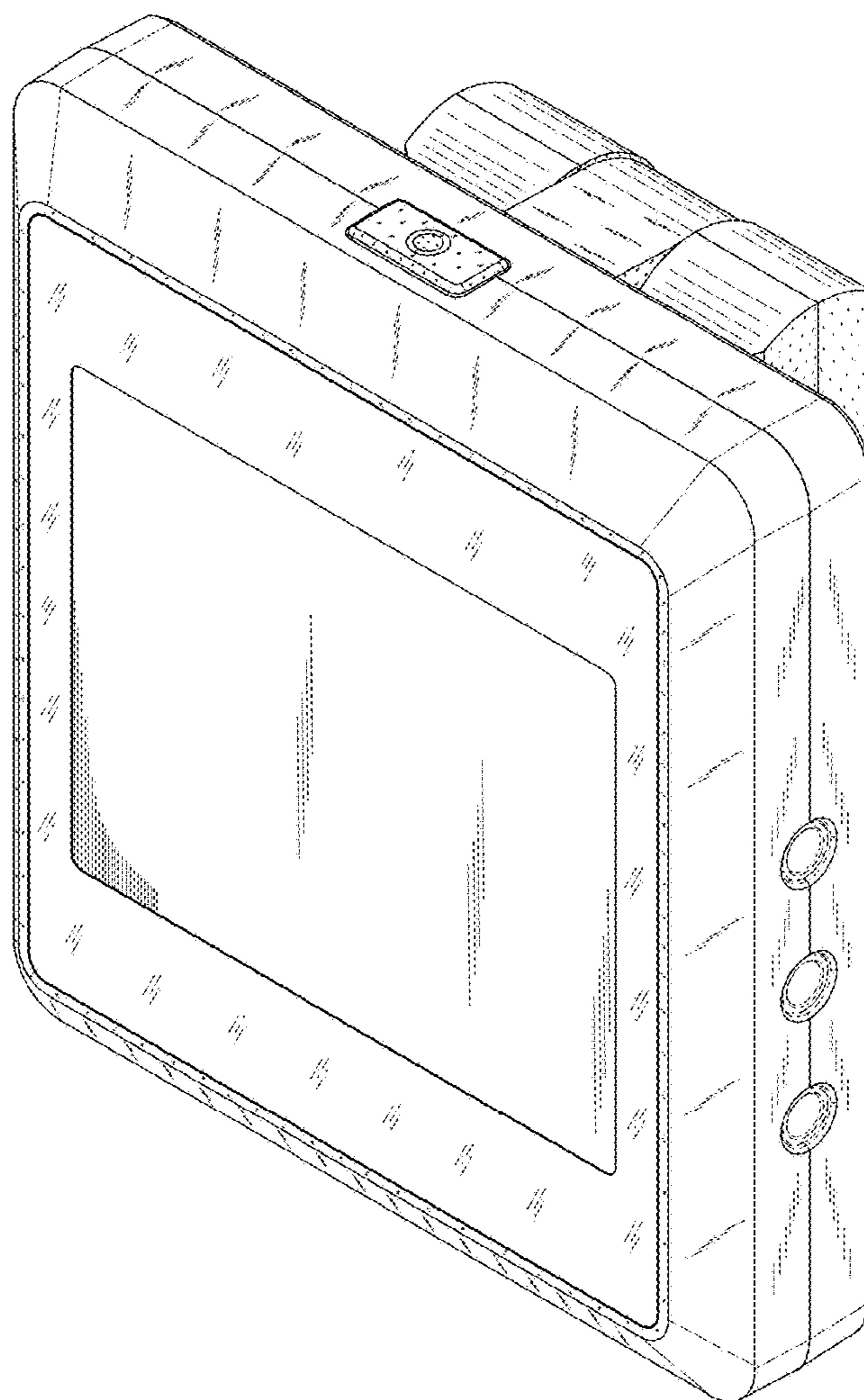


Fig. 7

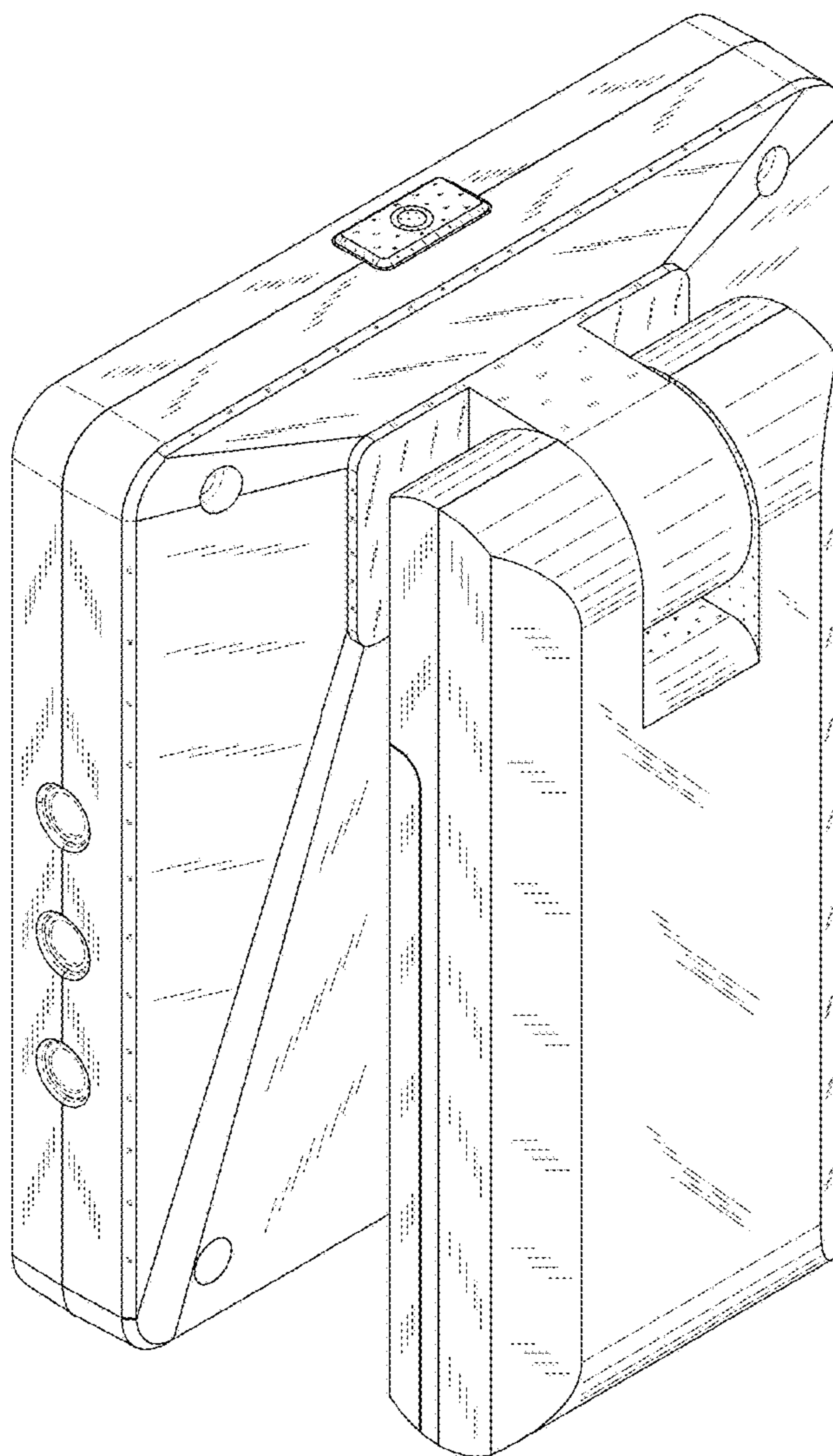


Fig. 8