



US00D841492S

(12) **United States Design Patent**  
**Liu**

(10) **Patent No.:** **US D841,492 S**  
(45) **Date of Patent:** **\*\* Feb. 26, 2019**

(54) **BLUETOOTH FOOD THERMOMETER (PRO2)**

(71) Applicant: **SHENZHEN HYPERSYNES CO., LTD**, Shenzhen (CN)

(72) Inventor: **Linqing Liu**, Shenzhen (CN)

(73) Assignee: **SHENZHEN HYPERSYNES CO., LTD**, Shenzhen (CN)

(\*\*) Term: **15 Years**

(21) Appl. No.: **29/633,600**

(22) Filed: **Jan. 15, 2018**

(51) **LOC (11) Cl.** ..... **10-04**

(52) **U.S. Cl.**  
USPC ..... **D10/57**

(58) **Field of Classification Search**  
USPC ..... D10/57, 58  
CPC ..... G01K 2207/02; G01K 2207/04; G01K 2207/06; G01K 2207/08  
See application file for complete search history.

(56) **References Cited**

**U.S. PATENT DOCUMENTS**

- 6,568,848 B1 \* 5/2003 Chapman ..... G01K 1/024  
340/870.17
- 7,201,099 B2 \* 4/2007 Harris, Jr. .... G01K 1/02  
374/E1.002

- D579,800 S \* 11/2008 Mobley ..... D10/57
- D582,804 S \* 12/2008 Flandin ..... D10/57
- 7,648,268 B2 \* 1/2010 Yerlikaya ..... G01K 13/002  
29/602.1
- 7,722,248 B1 \* 5/2010 Chapman ..... G01K 1/024  
340/870.17
- D670,579 S \* 11/2012 Cooney ..... D10/57
- D765,523 S \* 9/2016 Chapman ..... D10/57
- 10,074,255 B2 \* 9/2018 Prabhakar ..... G08B 17/06

\* cited by examiner

*Primary Examiner* — Antoine Duval Davis

(74) *Attorney, Agent, or Firm* — Wayne & Ken, LLC;  
Tony Hom

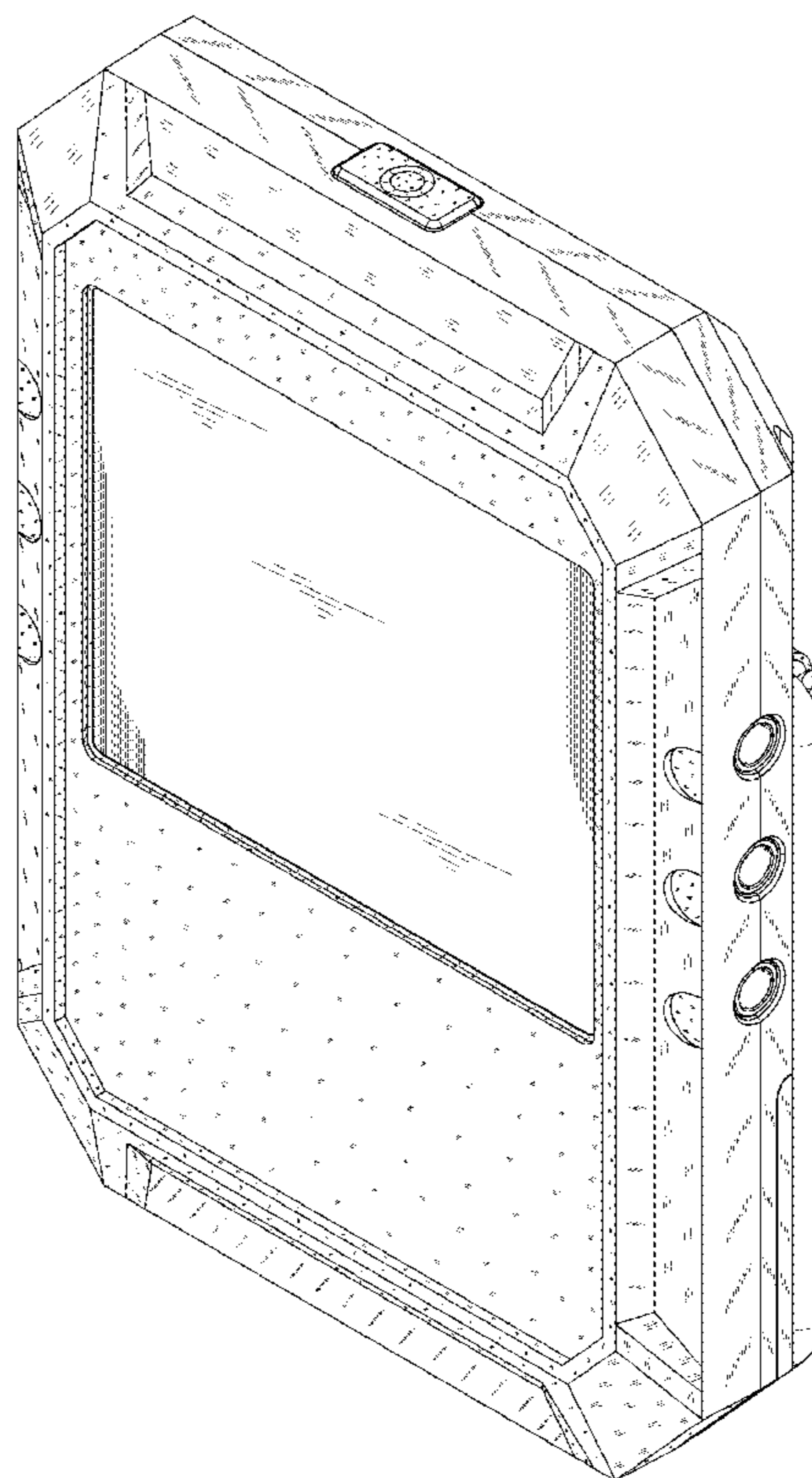
(57) **CLAIM**

A new, original, ornamental design for a bluetooth food thermometer (PRO2), as shown and described.

**DESCRIPTION**

FIG. 1 is a front view of a bluetooth food thermometer (PRO2) showing my new design;  
FIG. 2 is a back view thereof;  
FIG. 3 is a left view thereof;  
FIG. 4 is a right view thereof;  
FIG. 5 is a top view thereof;  
FIG. 6 is a bottom view thereof; and,  
FIG. 7 is a perspective view thereof.

**1 Claim, 7 Drawing Sheets**



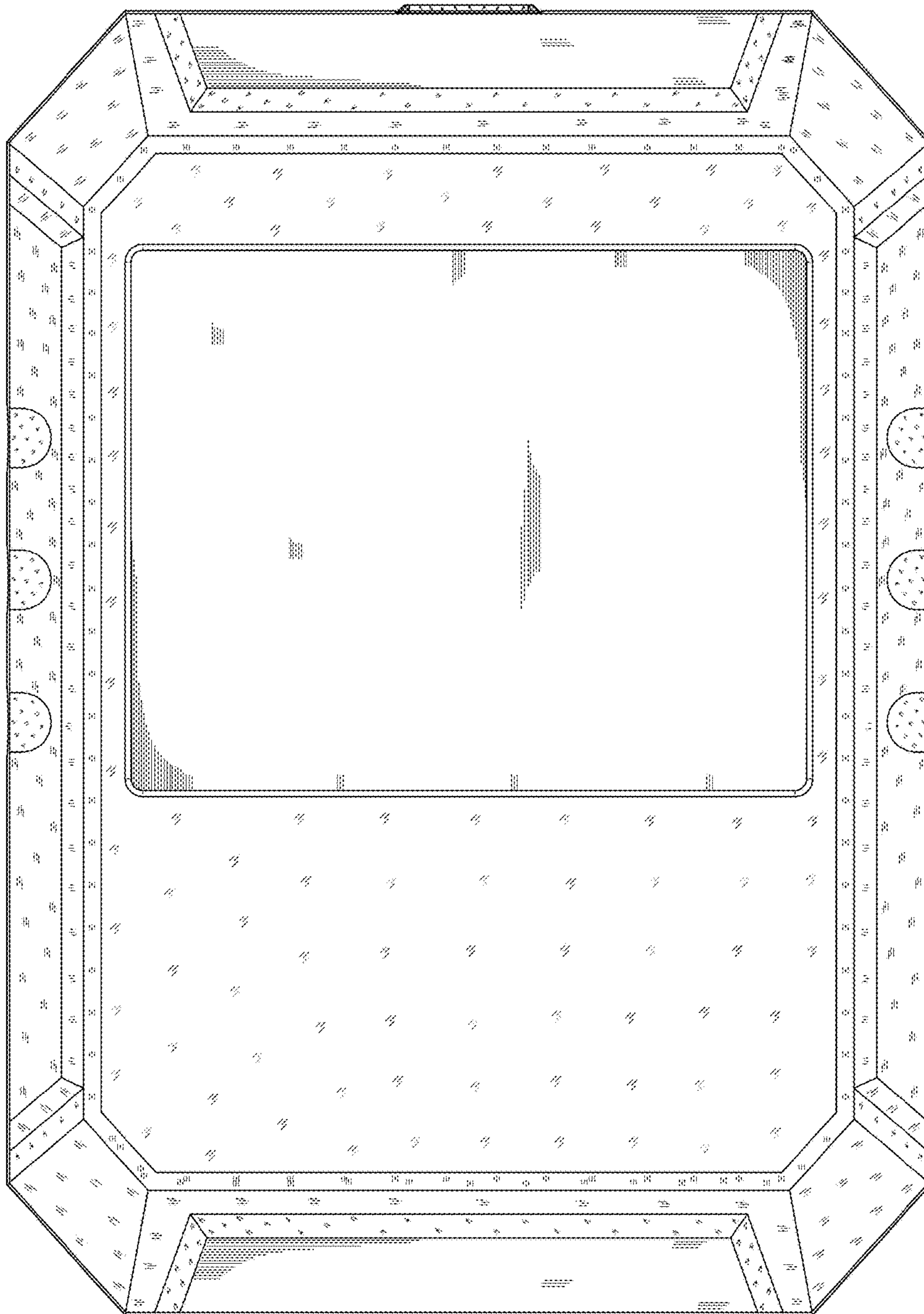


Fig. 1

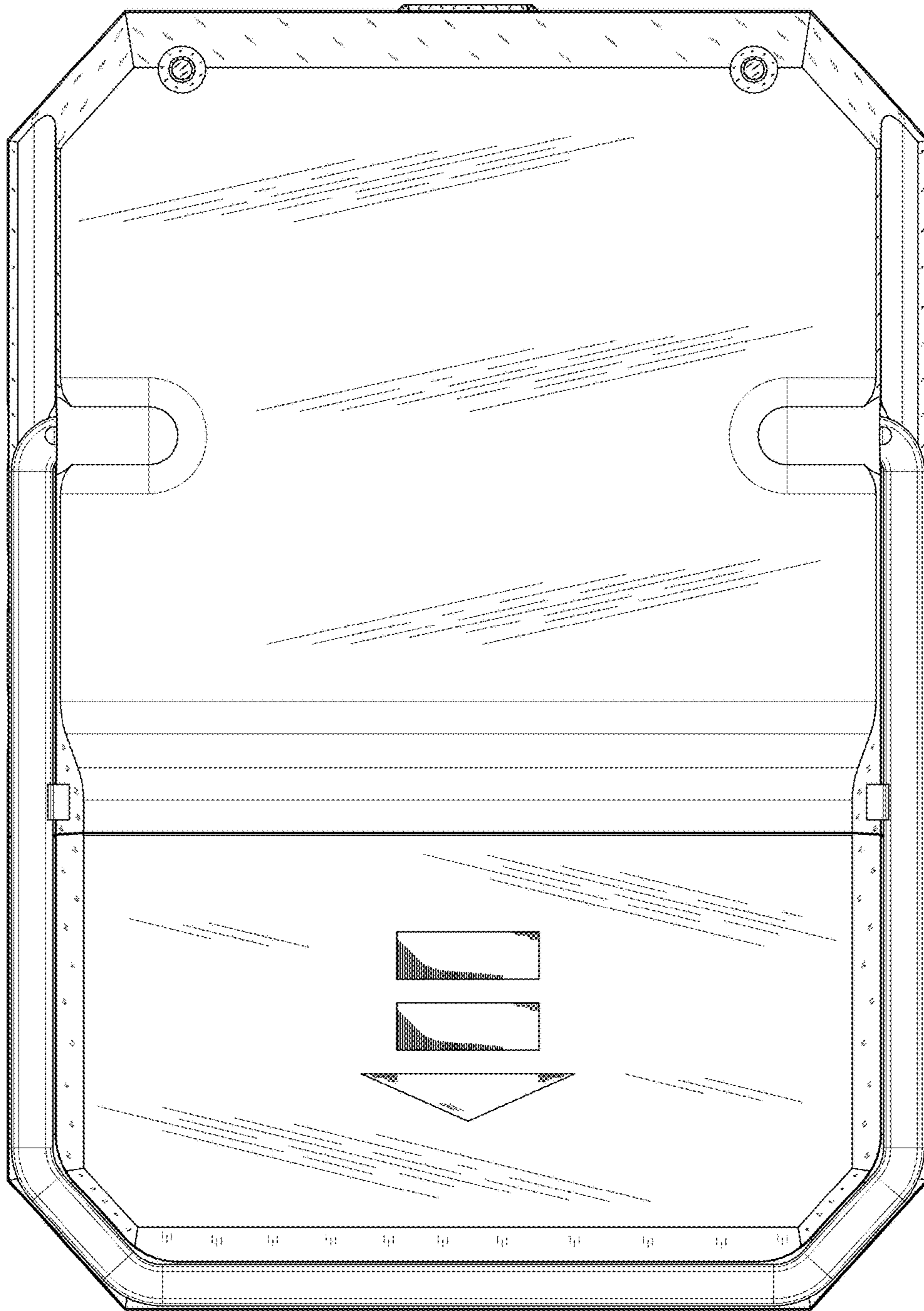


Fig. 2

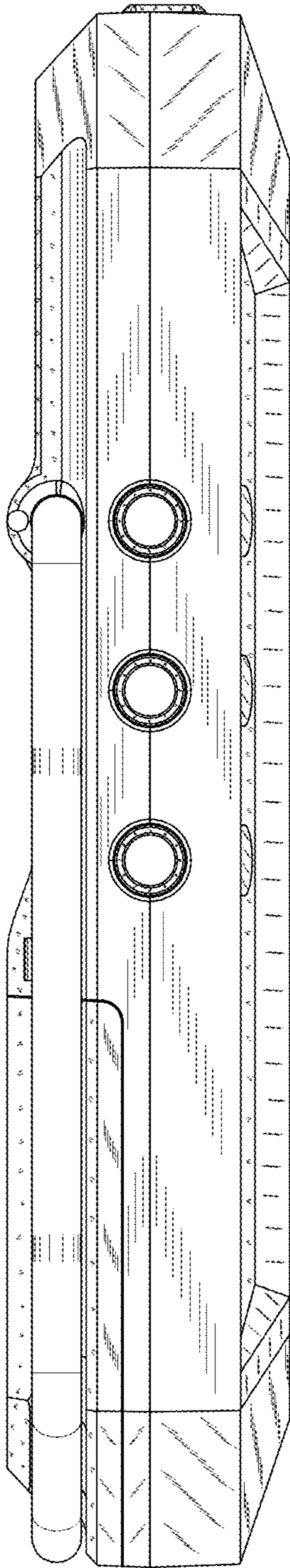


Fig. 3

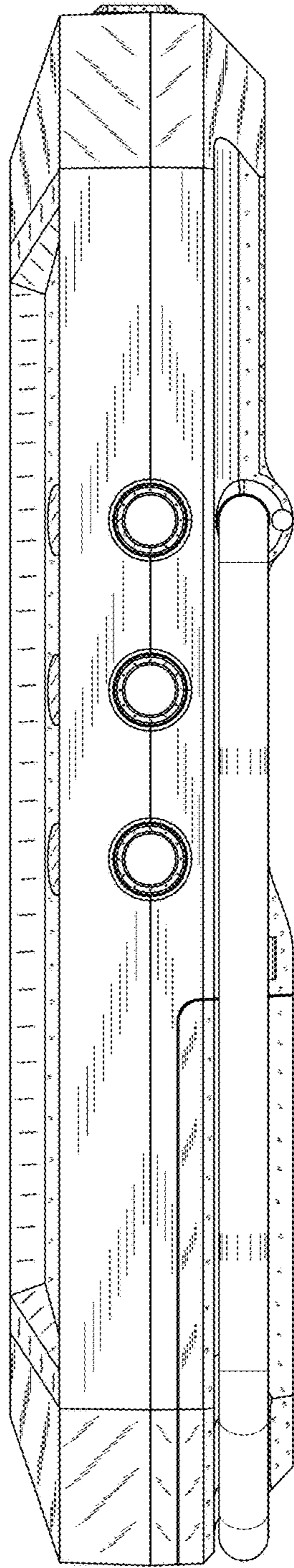


Fig. 4

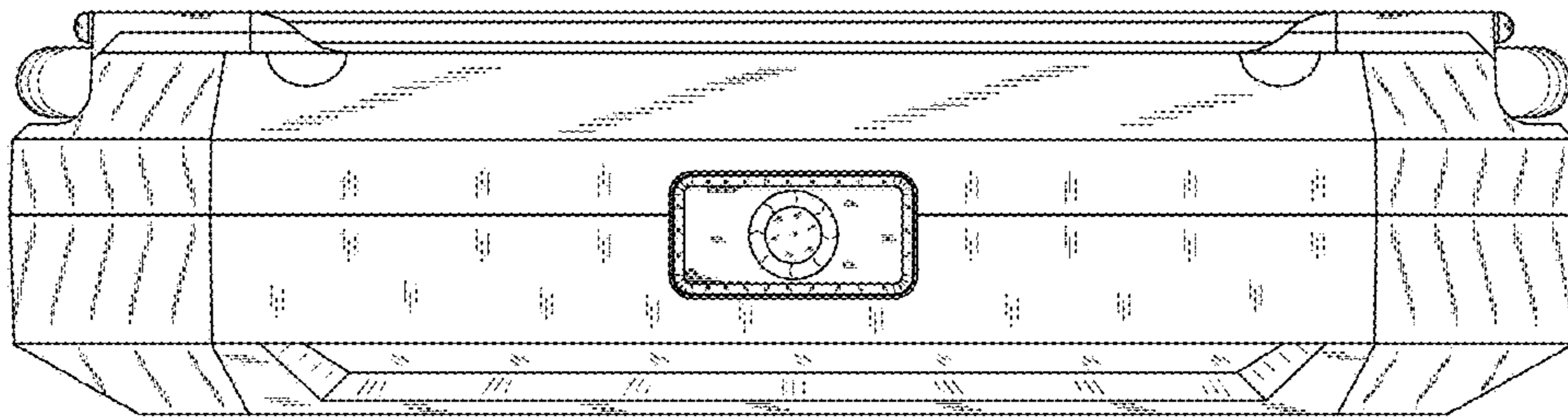


Fig. 5

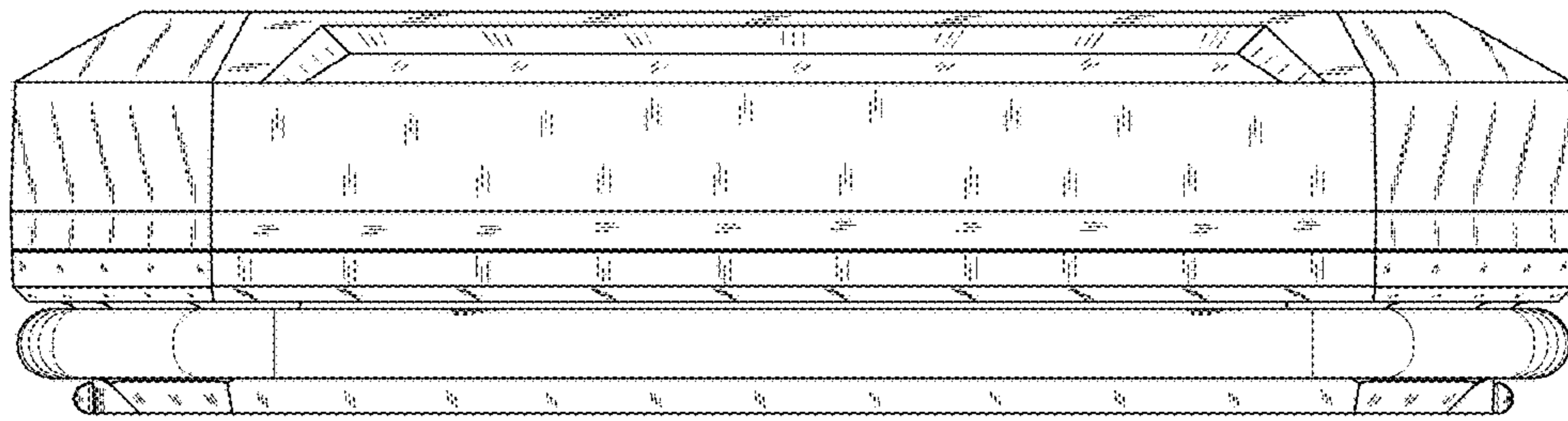


Fig. 6

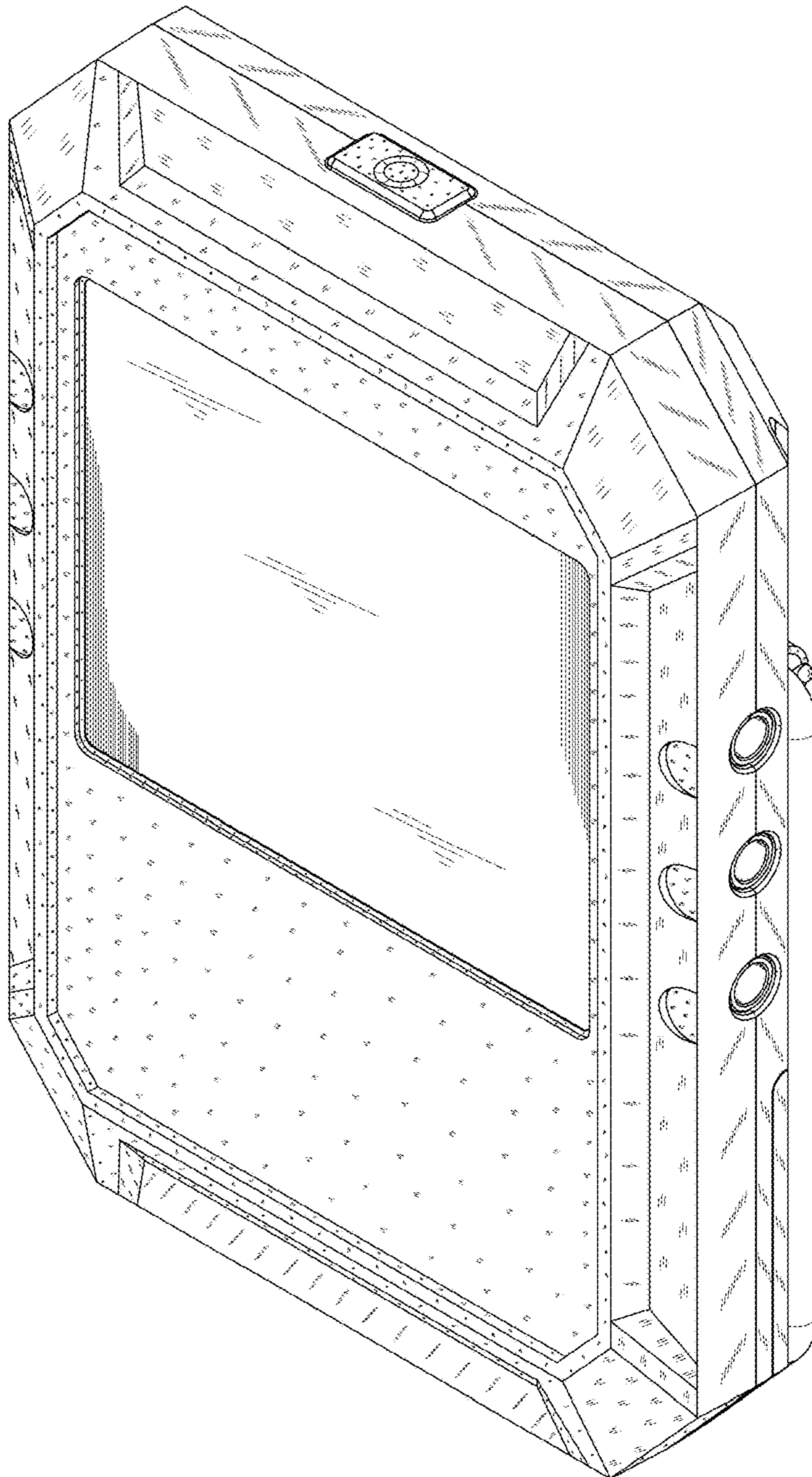


Fig. 7