



US00D841491S

(12) **United States Design Patent**
Liu

(10) **Patent No.:** **US D841,491 S**

(45) **Date of Patent:** **** Feb. 26, 2019**

(54) **BLUETOOTH FOOD THERMOMETER**

D766,113 S * 9/2016 Dohi D10/57
D795,100 S * 8/2017 Alla D10/57

(71) Applicant: **SHENZHEN HYPERSYNES CO., LTD.**, Shenzhen (CN)

* cited by examiner

(72) Inventor: **Linqing Liu**, Shenzhen (CN)

Primary Examiner — Antoine Duval Davis

(73) Assignee: **SHENZHEN HYPERSYNES CO., LTD.**, Shenzhen (CN)

(74) *Attorney, Agent, or Firm* — Wayne & Ken, LLC;
Tony Hom

(**) Term: **15 Years**

(57) **CLAIM**

(21) Appl. No.: **29/633,595**

A new, original, ornamental design for a bluetooth food thermometer, as shown and described.

(22) Filed: **Jan. 15, 2018**

(51) **LOC (11) Cl.** **10-04**

(52) **U.S. Cl.**
USPC **D10/57**

(58) **Field of Classification Search**
USPC D10/57, 58
CPC G01K 2207/02; G01K 2207/04; G01K 2207/06; G01K 2207/08
See application file for complete search history.

DESCRIPTION

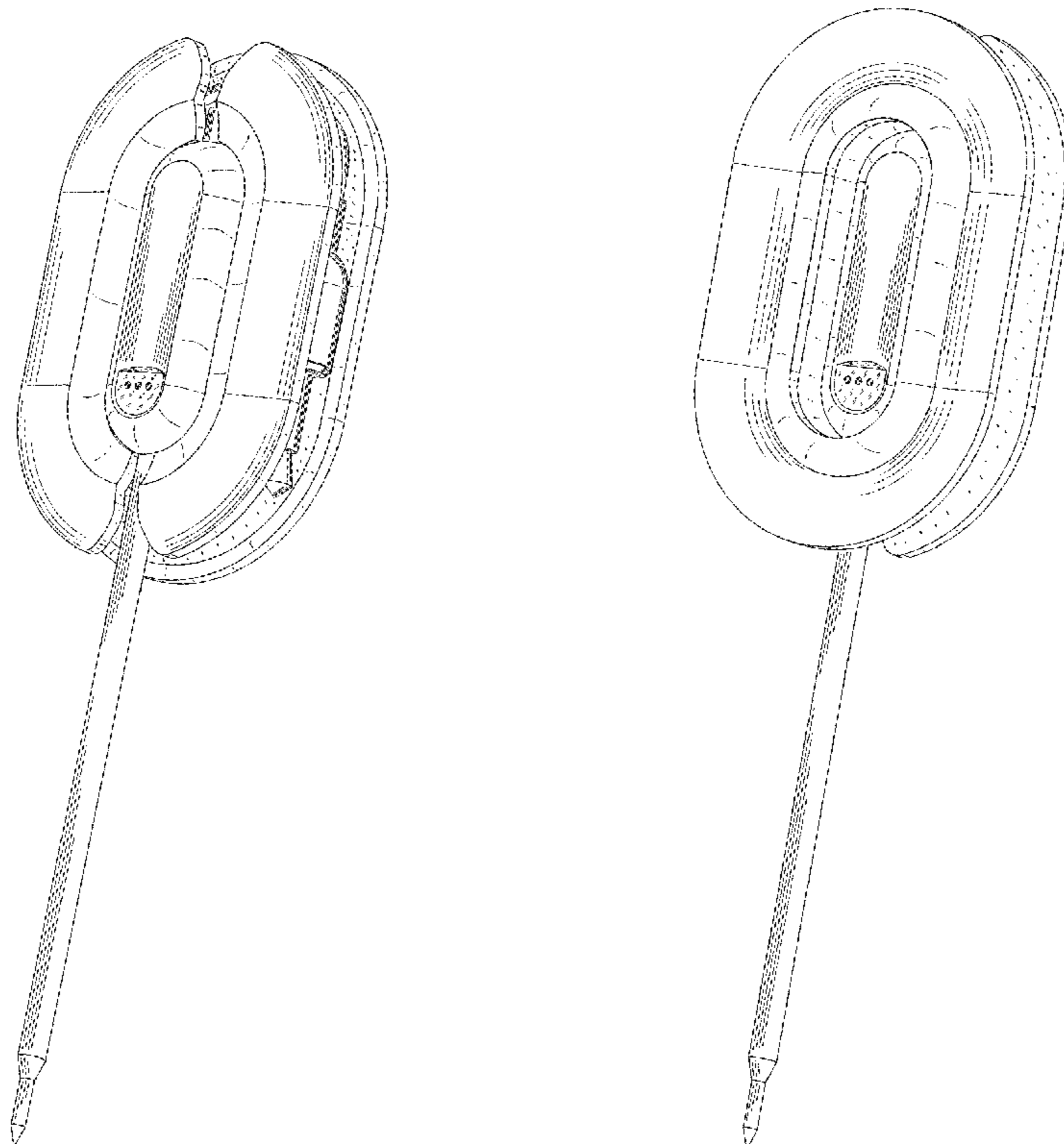
FIG. 1 is a perspective view of a bluetooth food thermometer showing my new design;
FIG. 2 is another perspective thereof;
FIG. 3 is a front view thereof;
FIG. 4 is a back view thereof;
FIG. 5 is a left view thereof;
FIG. 6 is a right view thereof;
FIG. 7 is a top view thereof; and,
FIG. 8 is a bottom view thereof.

(56) **References Cited**

U.S. PATENT DOCUMENTS

D284,096 S * 6/1986 Desjacques D10/57
D345,927 S * 4/1994 Yoshikawa D10/57

1 Claim, 8 Drawing Sheets



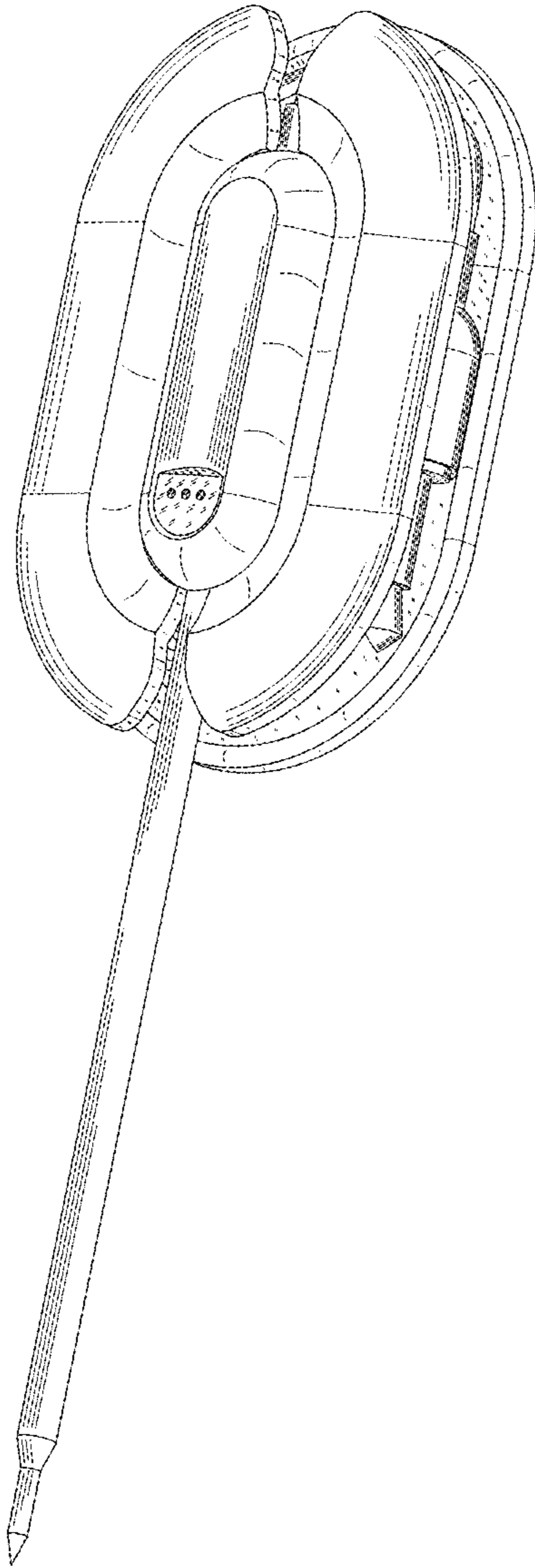


FIG .1

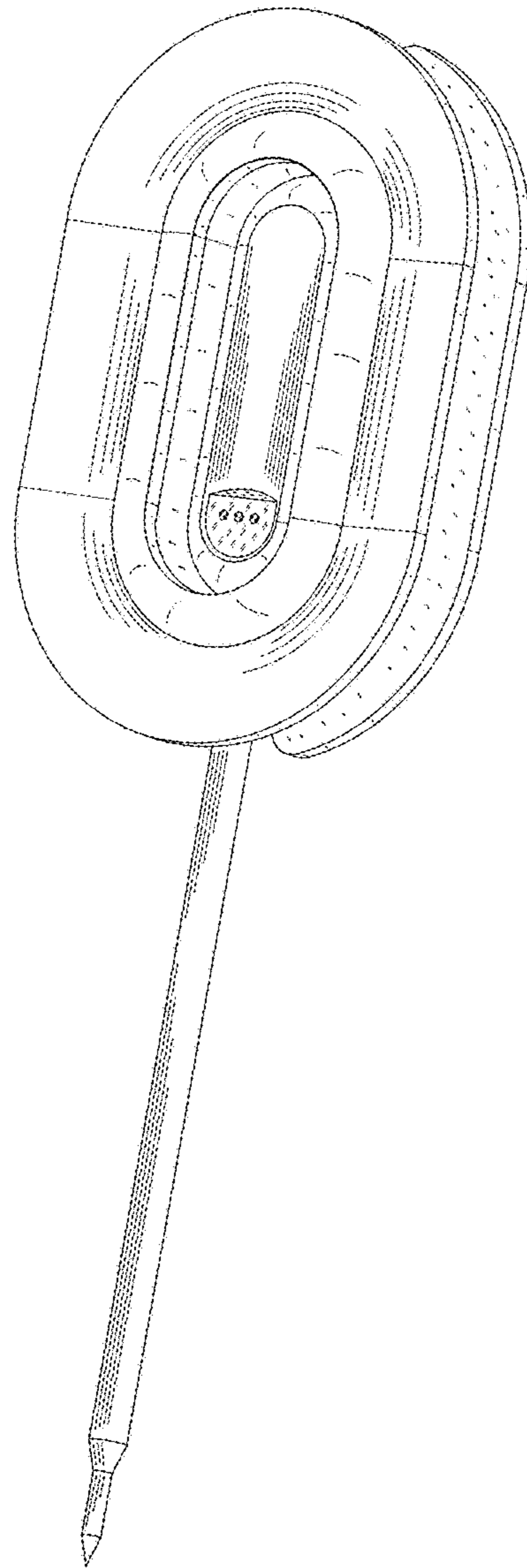


FIG .2

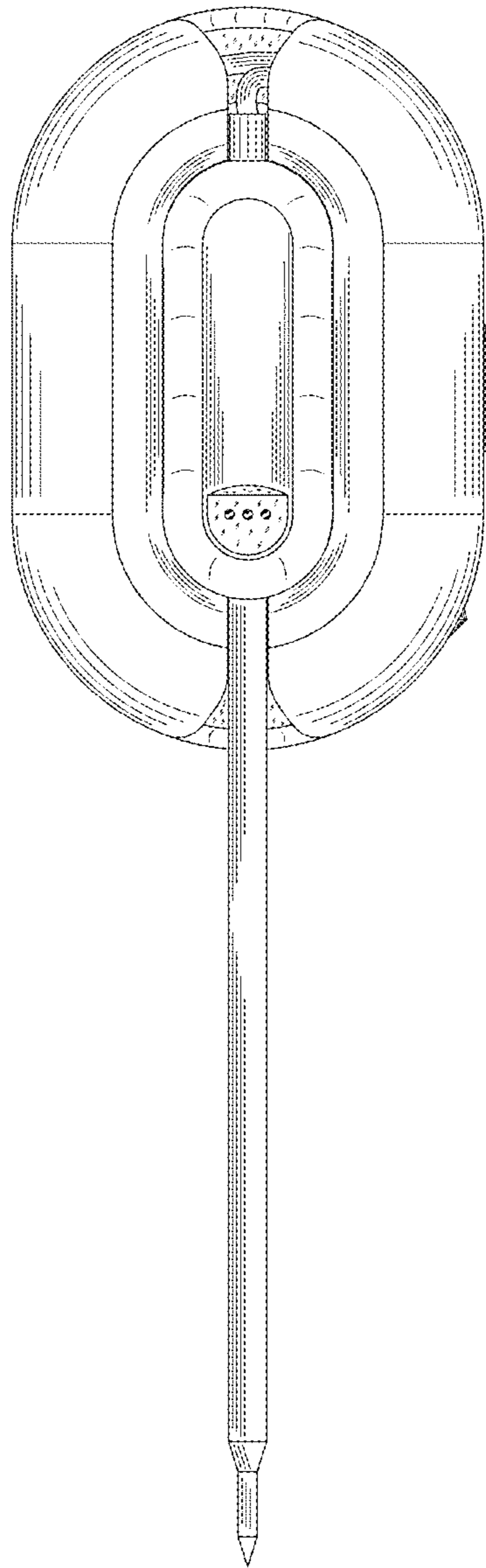


FIG .3

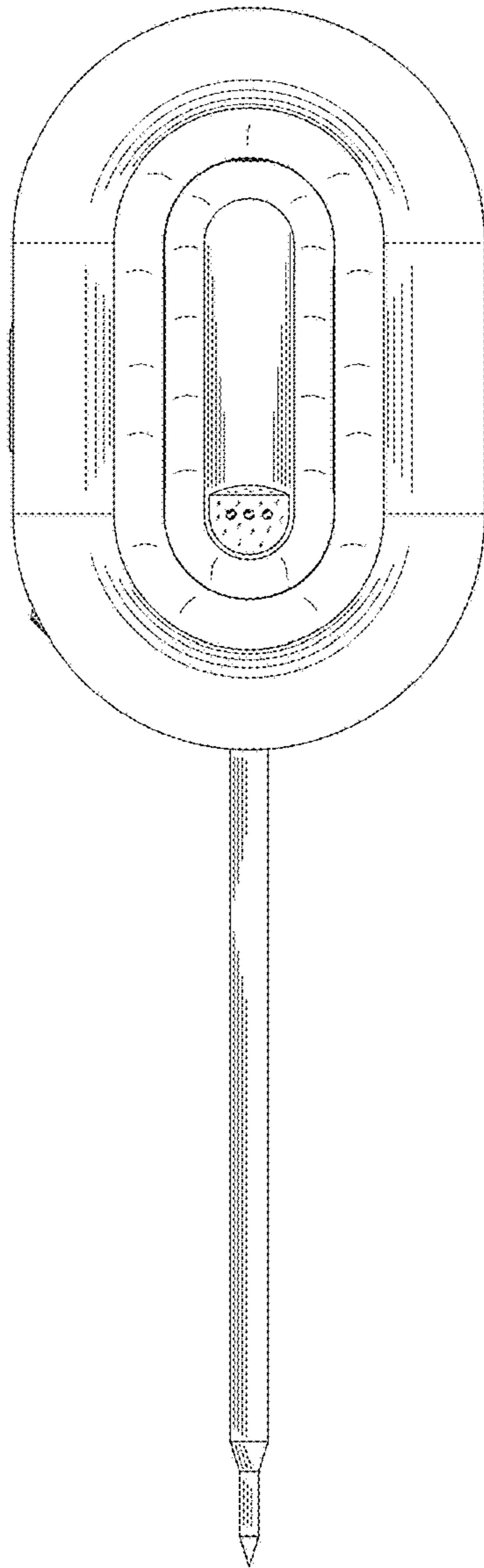


FIG .4

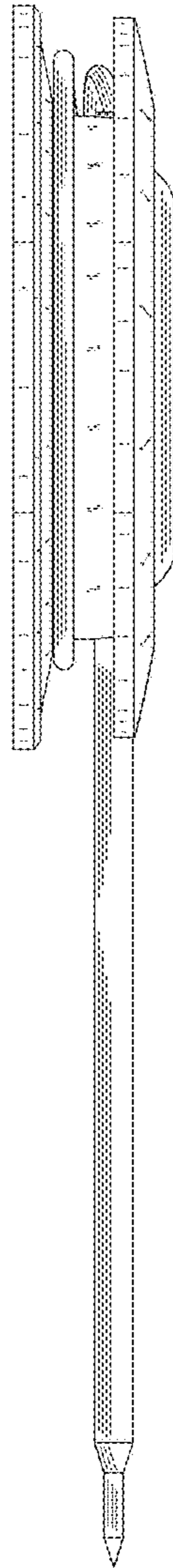


FIG .5

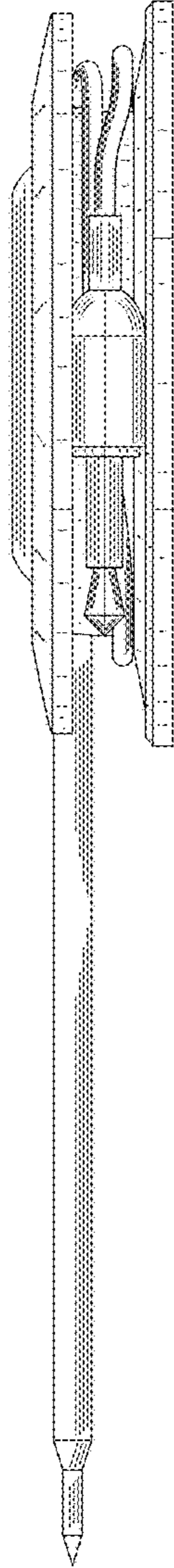


FIG .6

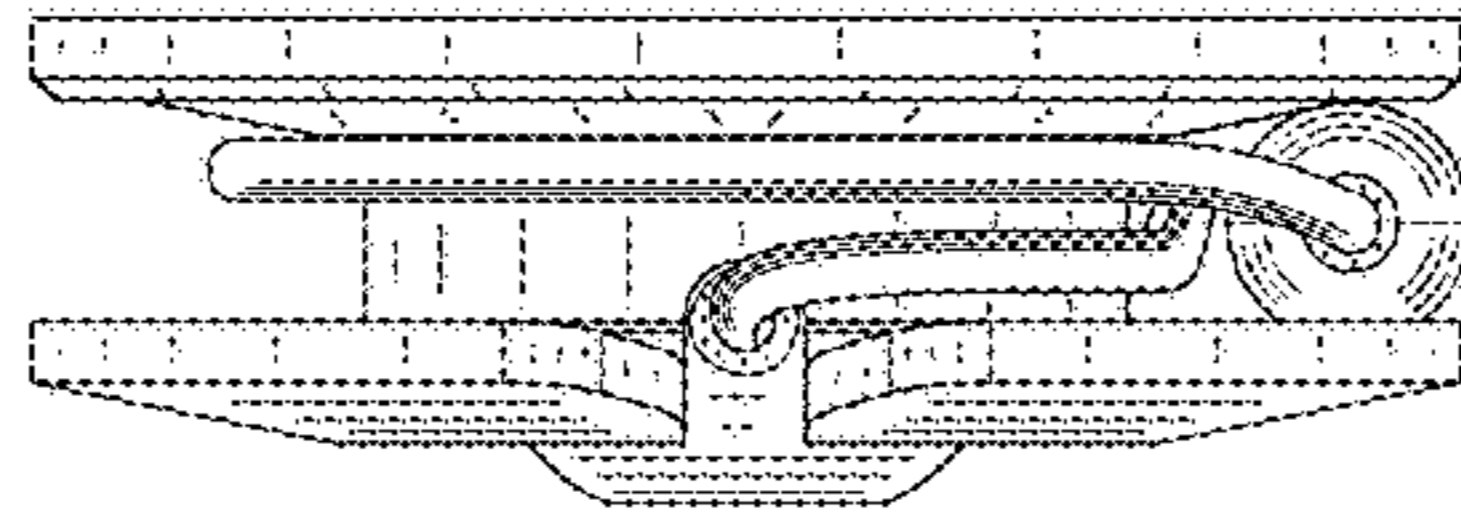


FIG .7

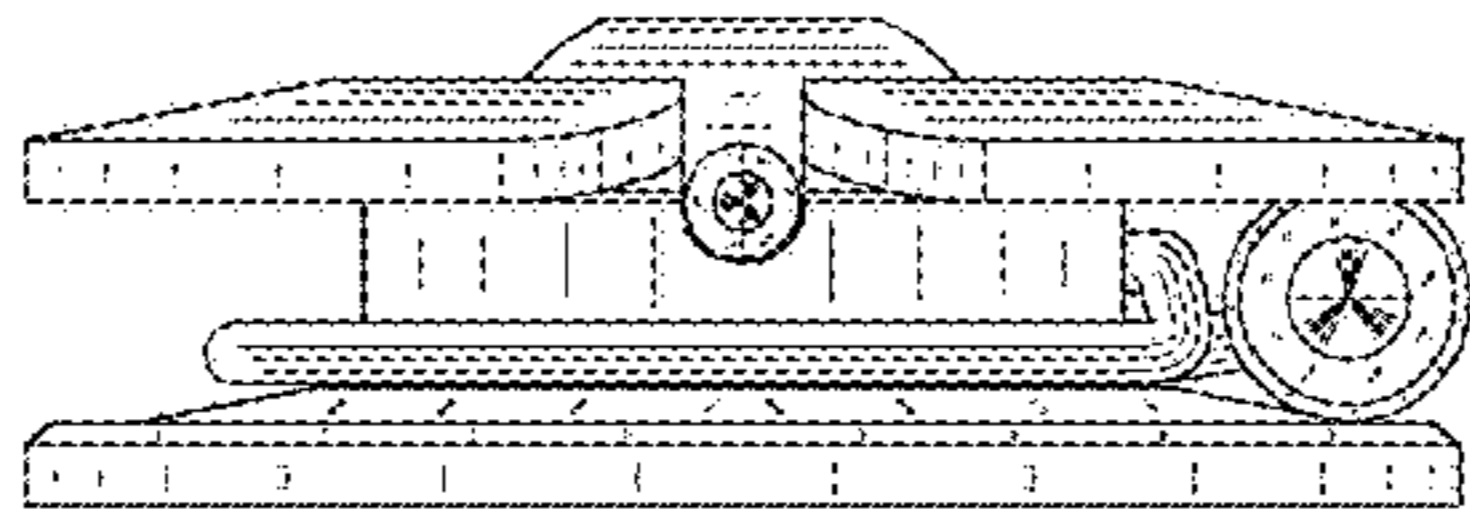


FIG .8