



US00D841488S

(12) **United States Design Patent** (10) **Patent No.:** **US D841,488 S**
Guhr (45) **Date of Patent:** **** Feb. 26, 2019**

(54) **CASING FOR A MEASURING INSTRUMENT**

(71) Applicant: **Turck Holding GmbH**, Halver (DE)

(72) Inventor: **Daniel Guhr**, Raschau-Markersbach (DE)

(73) Assignee: **Turck Holding GmbH**, Halver (DE)

(**) Term: **15 Years**

(21) Appl. No.: **29/592,215**

(22) Filed: **Jan. 27, 2017**

(30) **Foreign Application Priority Data**

Sep. 15, 2016 (EM) 001452627

(51) **LOC (11) Cl.** **10-07**

(52) **U.S. Cl.**
USPC **D10/46**

(58) **Field of Classification Search**
USPC D10/46, 96; D13/120, 158, 160, 162,
D13/164, 177, 184, 199; D15/126;
D23/200, 233, 245, 246
CPC ... H01L 41/1132; G01L 19/146; G01L 19/147
See application file for complete search history.

(56) **References Cited**

U.S. PATENT DOCUMENTS

- D375,056 S * 10/1996 Sewell D10/96
- D419,084 S * 1/2000 Boehringer D10/85
- D635,936 S * 4/2011 Reiser D13/158
- D651,181 S * 12/2011 Schreiber D13/158
- D669,039 S * 10/2012 Gunji D13/158
- D703,076 S * 4/2014 Hogg D10/85
- D722,030 S * 2/2015 Opfer D13/158
- D723,600 S * 3/2015 Nauli D16/131
- D724,981 S * 3/2015 Schreiber D10/85
- D753,061 S * 4/2016 Loveday D13/110
- D754,291 S * 4/2016 Mangold D23/233
- D760,353 S * 6/2016 Mangold D23/233
- D766,402 S * 9/2016 Mangold D23/233

- D767,118 S * 9/2016 Hyde D24/111
- D777,586 S * 1/2017 Mangold D10/49
- D778,179 S * 2/2017 Mangold D10/49
- D778,180 S * 2/2017 Mangold D10/49
- D780,820 S * 3/2017 Sedazzari D16/134
- 9,674,976 B2 * 6/2017 Strei H05K 5/064
- D800,121 S * 10/2017 Akers, Jr. D14/420

(Continued)

FOREIGN PATENT DOCUMENTS

CN 2017-07776 B * 1/2018

OTHER PUBLICATIONS

Pressure Sensors, posted on comoso.com, copyrighted 2006, no production date given, [online], [site visited Jun. 21, 2018], Available from Internet, URL: http://www.comoso.com/uploads/showcase/manuals/Turck_Comoso_B2050_PROCESS_WIRING_PRODUCTS.pdf (Year: 2006).*

Primary Examiner — Melanie H Tung
Assistant Examiner — Fritzgerald L Butac
(74) *Attorney, Agent, or Firm* — Whitmyer IP Group LLC

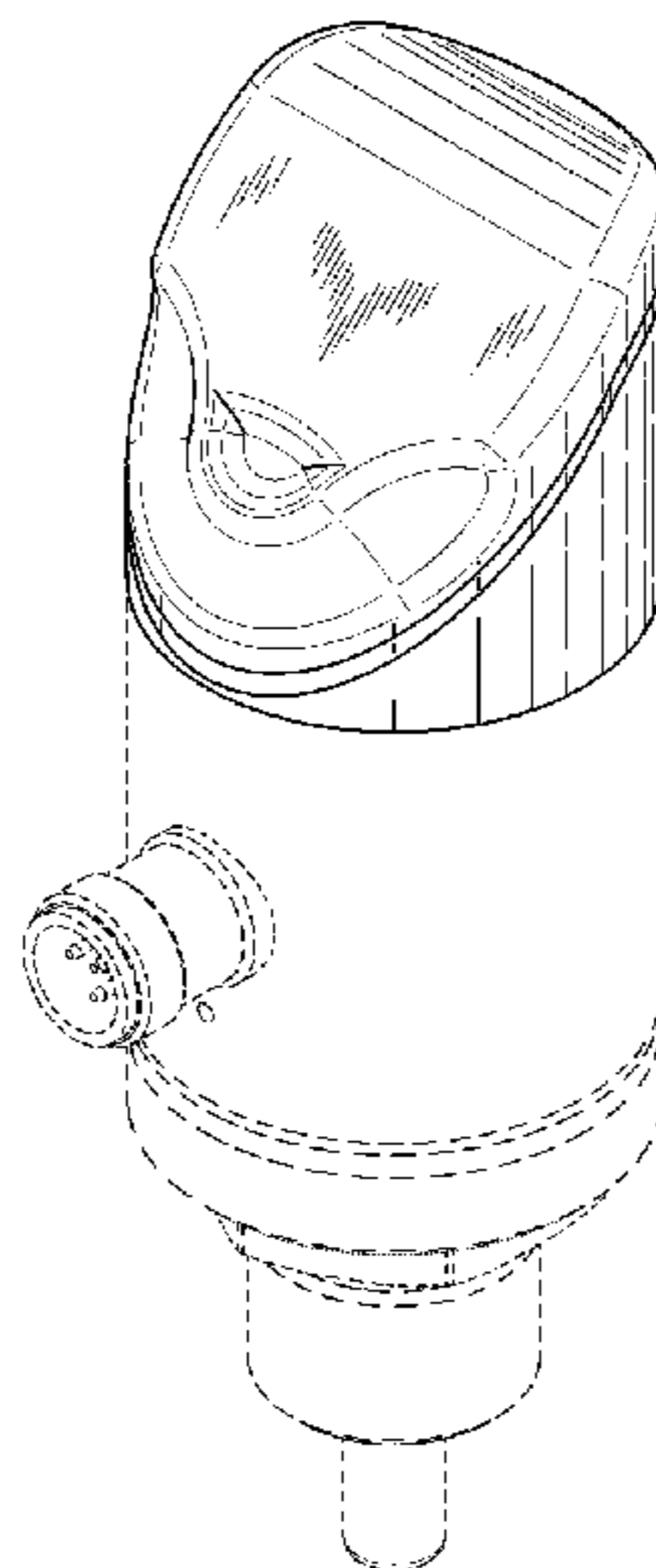
(57) **CLAIM**

The ornamental design for a casing for a measuring instrument, as shown and described.

DESCRIPTION

FIG. 1 is a front left side isometric view of a casing for a measuring instrument in accordance with the new design; FIG. 2 is a front elevational view thereof; FIG. 3 is a right side elevational view thereof; FIG. 4 is a rear elevational view thereof; FIG. 5 is a left side elevational view thereof; FIG. 6 is a top plan view thereof; and, FIG. 7 is a bottom plan view thereof. The broken lines shown in the drawings illustrate portions of the article that form no part of the claimed design.

1 Claim, 4 Drawing Sheets



(56)

References Cited

U.S. PATENT DOCUMENTS

D811,253	S	*	2/2018	Boyer	D10/85
D813,286	S	*	3/2018	Sedazzari	D16/134
D815,965	S	*	4/2018	Takimoto	D10/85
D818,509	S	*	5/2018	Miyazaki	D15/144.2
D820,955	S	*	6/2018	Ito	D23/235
D820,956	S	*	6/2018	Ito	D23/235

* cited by examiner

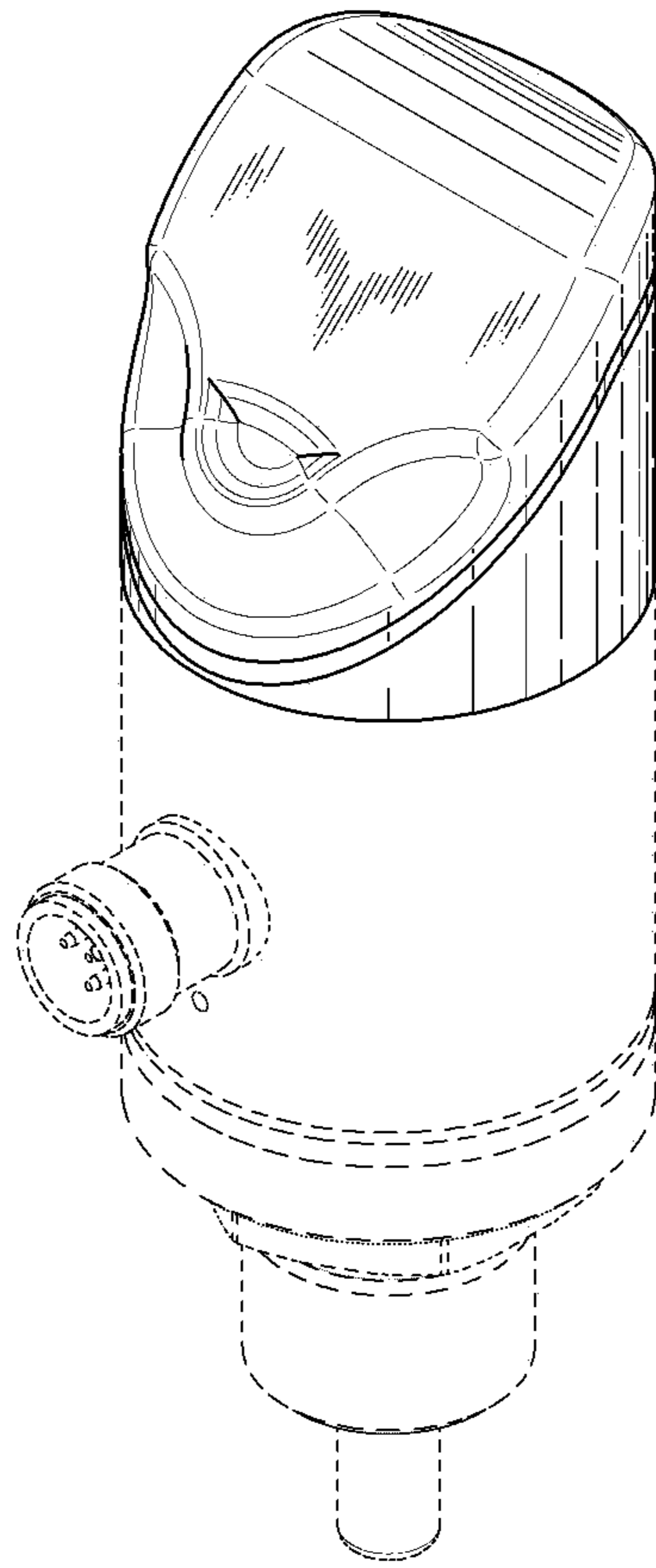


FIG. 1

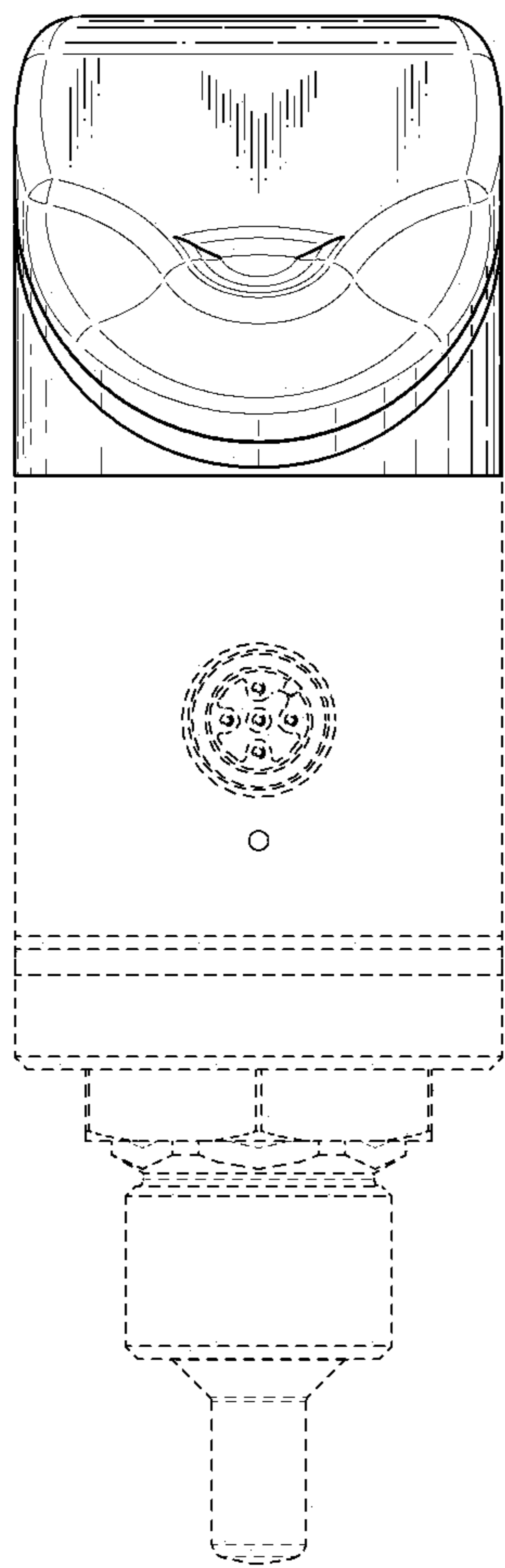


FIG. 2

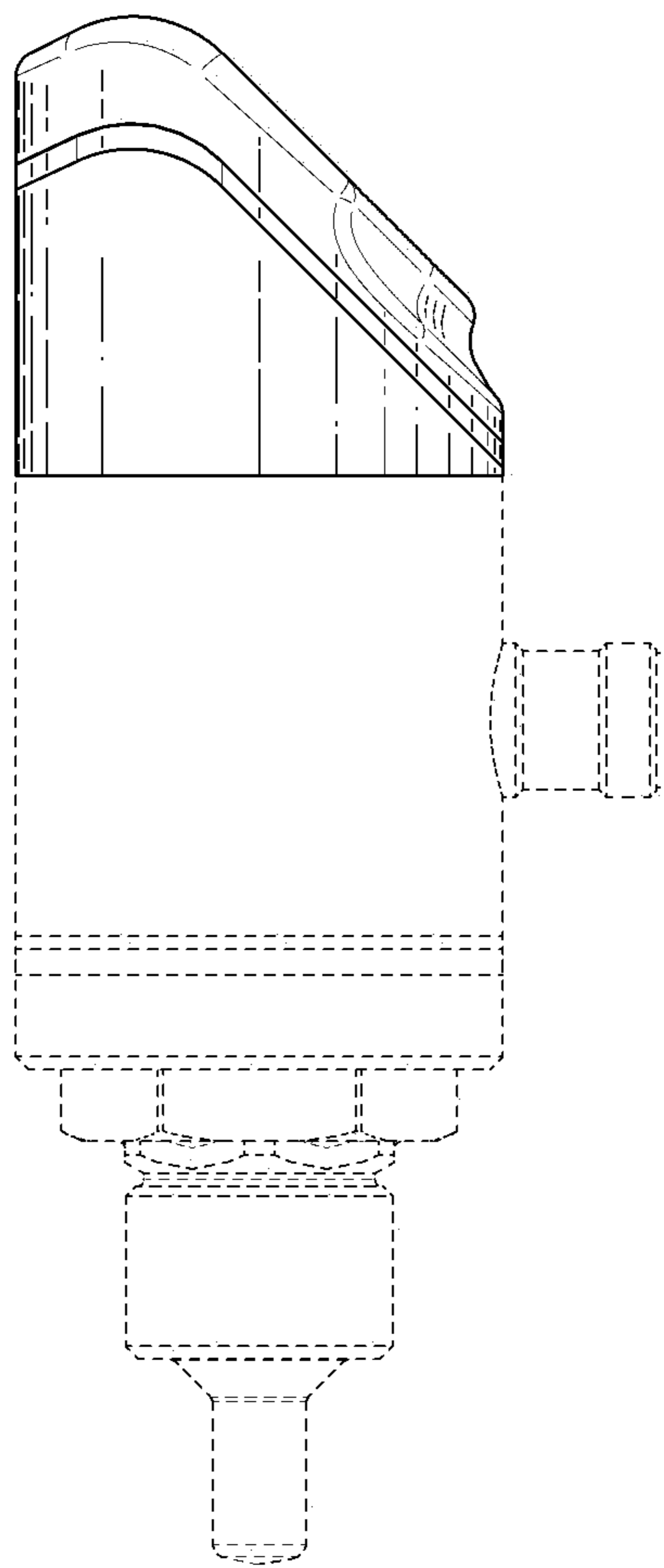


FIG. 3

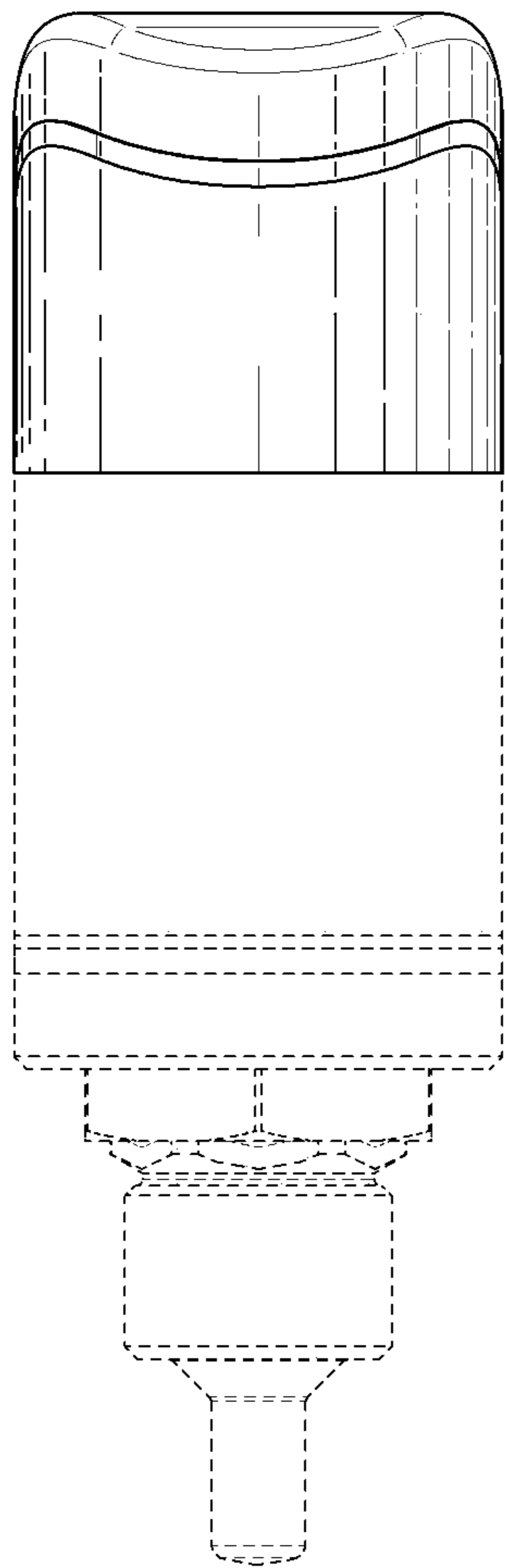


FIG. 4

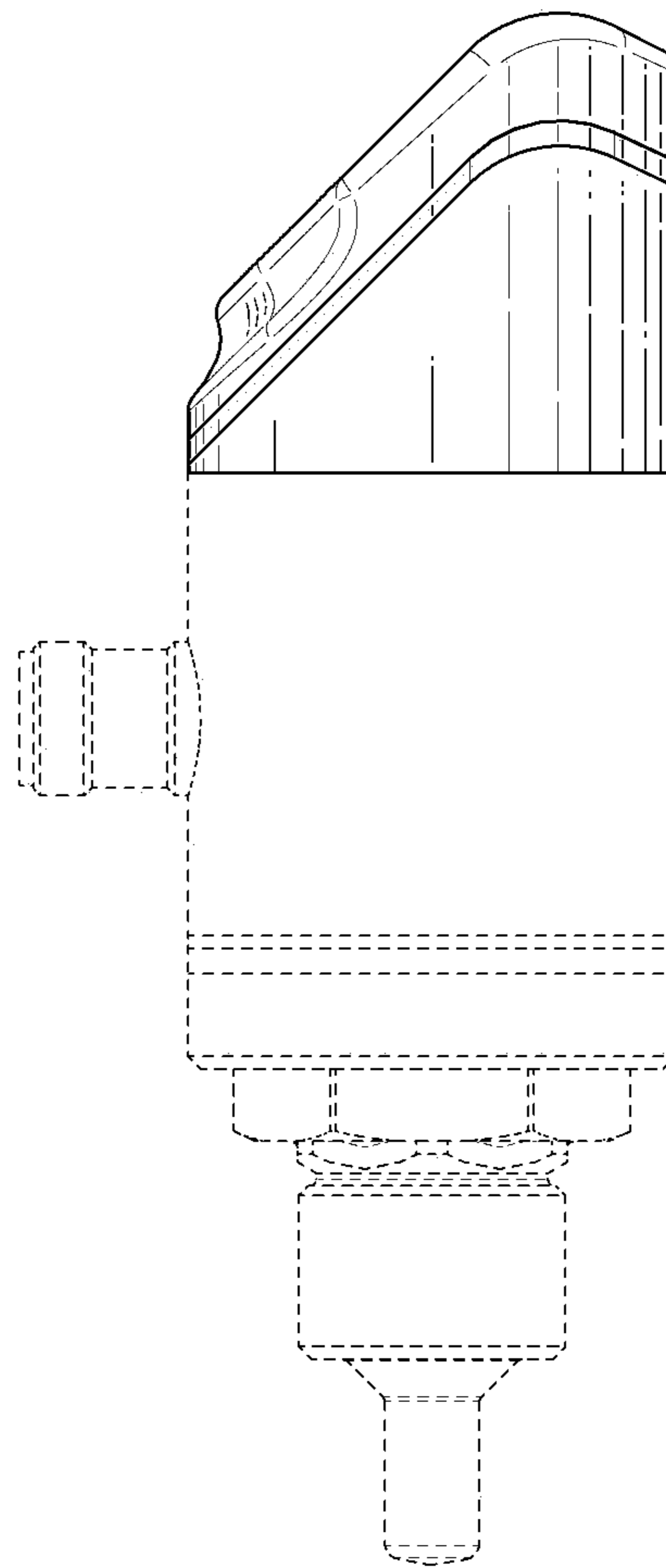


FIG. 5

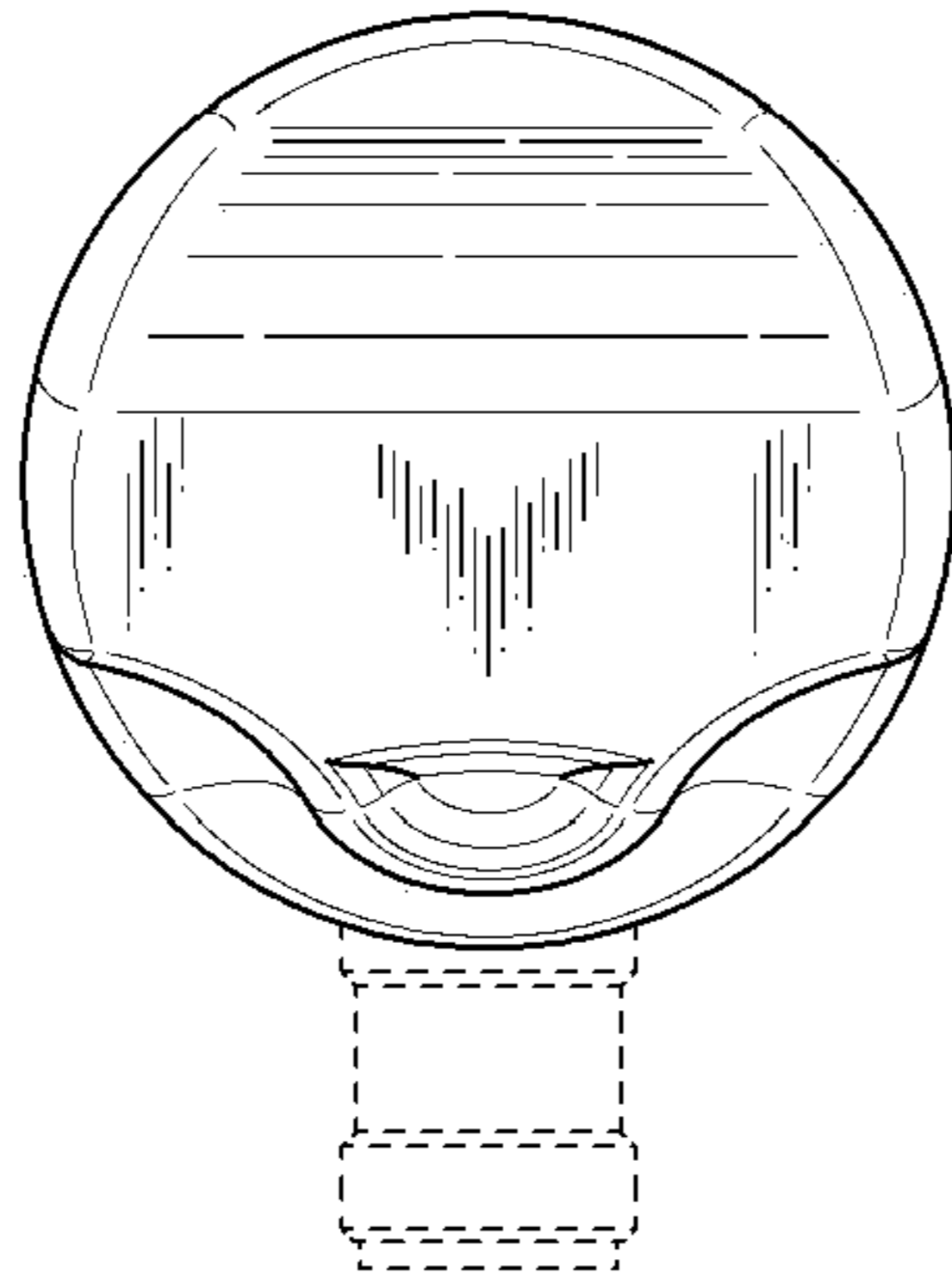


FIG. 6

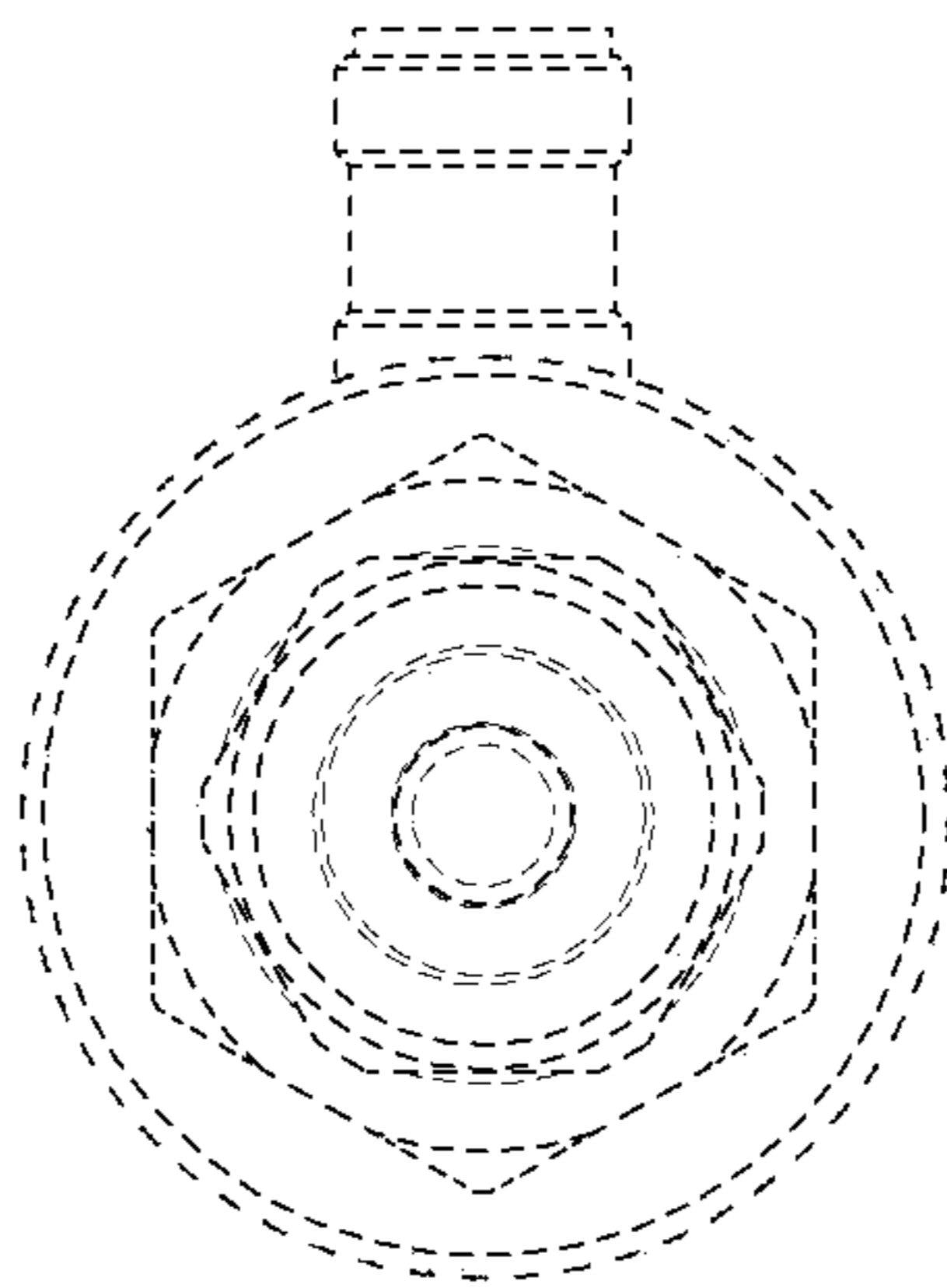


FIG. 7