



US00D841486S

(12) **United States Design Patent**
Vlahakis et al.

(10) **Patent No.:** **US D841,486 S**

(45) **Date of Patent:** **** Feb. 26, 2019**

(54) **ASYMMETRICAL BOTTLE WITH
REMOVABLE SIDE BOTTLE**

(71) Applicant: **Venus Laboratories, Inc.**, Addison, IL
(US)

(72) Inventors: **Van Vlahakis**, Cypress, CA (US); **Kelly
Vlahakis-Hanks**, Cypress, CA (US);
Jenna Arkin, New York, NY (US);
Aaron Miller, Tacoma, WA (US); **Liz
Barrett**, Newburgh, IN (US); **Jason
Rowe**, Santa Claus, IN (US); **Scott
Fisher**, Evansville, IN (US)

(73) Assignee: **Venus Laboratories, Inc.**, Addison, IL
(US)

(**) Term: **15 Years**

(21) Appl. No.: **29/575,112**

(22) Filed: **Aug. 22, 2016**

(51) **LOC (11) Cl.** **09-01**

(52) **U.S. Cl.**
USPC **D9/741; D9/743**

(58) **Field of Classification Search**
USPC D9/516, 517, 523, 528, 530, 531, 534,
D9/538, 541, 550, 560, 563, 572, 682,
D9/715, 719, 737, 738, 740, 524, 741,
D9/743

CPC . B65D 23/12; B65D 51/28; B65D 2501/0063
See application file for complete search history.

(56) **References Cited**

U.S. PATENT DOCUMENTS

D430,798 S * 9/2000 Stevens D9/520
D464,570 S * 10/2002 Maser D9/516

D495,949 S * 9/2004 Rymer D9/526
D506,933 S * 7/2005 Kearney D9/522
D543,121 S * 5/2007 Grant D9/538
D607,753 S * 1/2010 Farrell D9/563
D649,057 S * 11/2011 Renz D9/516
D675,530 S * 2/2013 Meisenheimer D9/519
D693,697 S * 11/2013 Revivo D9/684
D730,190 S * 5/2015 Lindsay D9/523
D785,456 S * 5/2017 Clemence D9/528

* cited by examiner

Primary Examiner — Ian Simmons

Assistant Examiner — Keith Frank

(74) *Attorney, Agent, or Firm* — Drinker Biddle & Reath
LLP

(57) **CLAIM**

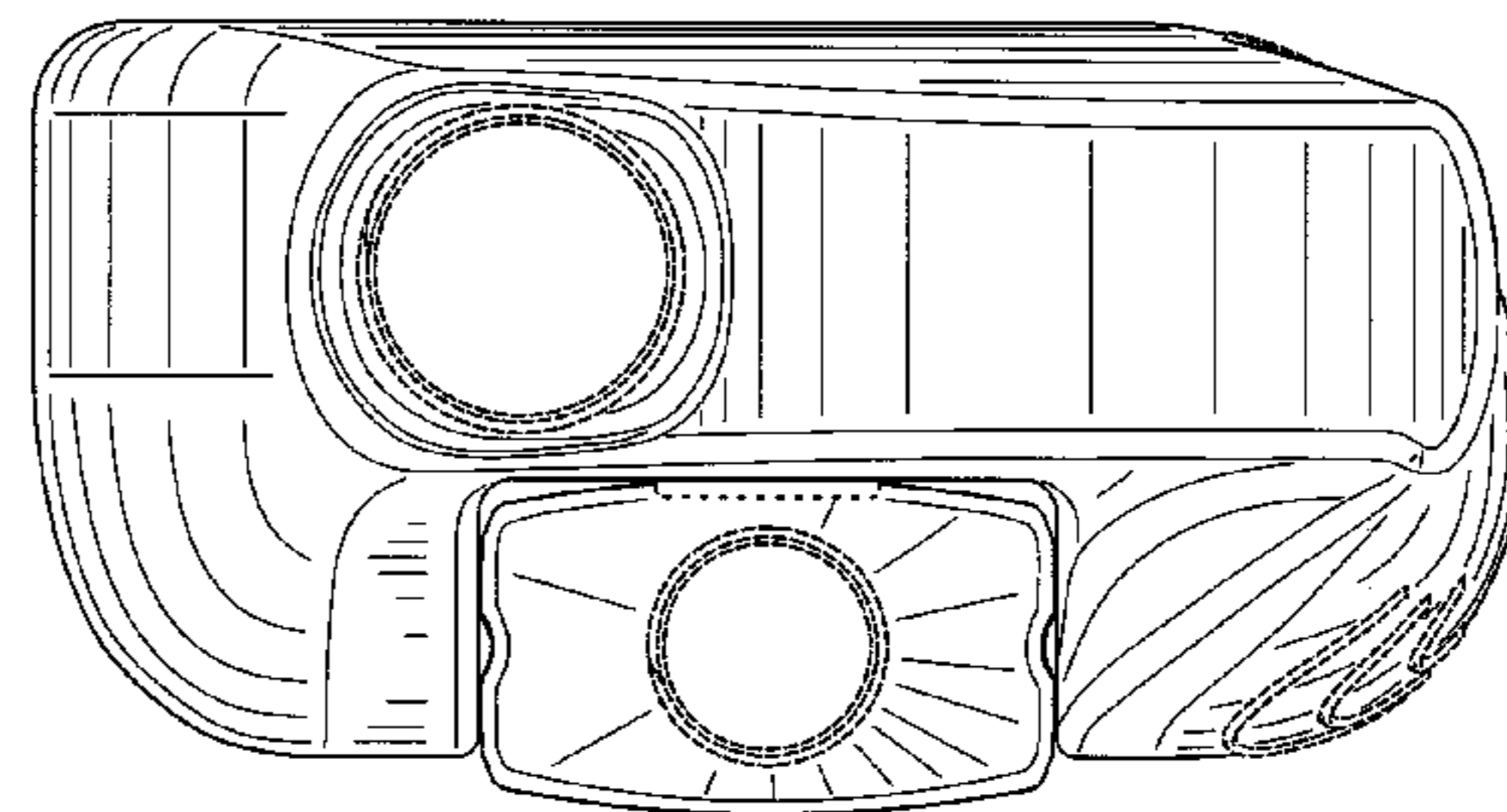
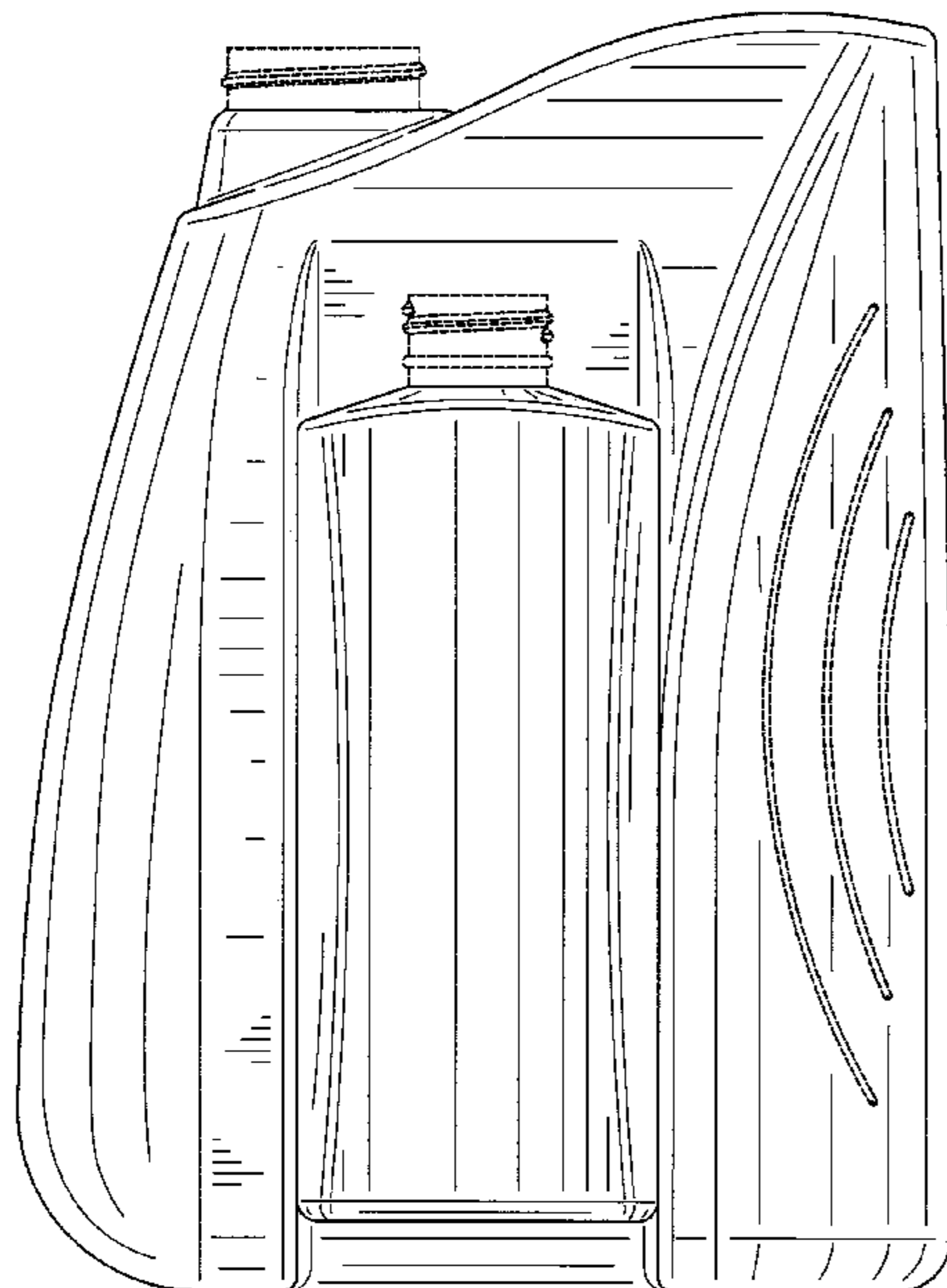
The ornamental design for an asymmetrical bottle with
removable side bottle, as shown and described.

DESCRIPTION

FIG. 1 is a front view of an asymmetrical bottle with
removable side bottle according to the present invention.
FIG. 2 is a rear view of the bottle of FIG. 1.
FIG. 3 is a left side view of the bottle of FIG. 1.
FIG. 4 is a right side view of the bottle of FIG. 1.
FIG. 5 is a top view of the bottle of FIG. 1; and,
FIG. 6 is a bottom view of the bottle of FIG. 1.

The broken lines in the drawings showing the asymmetrical
bottle with the removable side bottle illustrate the portions
of the asymmetrical bottle with the removable side bottle
that form no part of the claimed design.

1 Claim, 5 Drawing Sheets



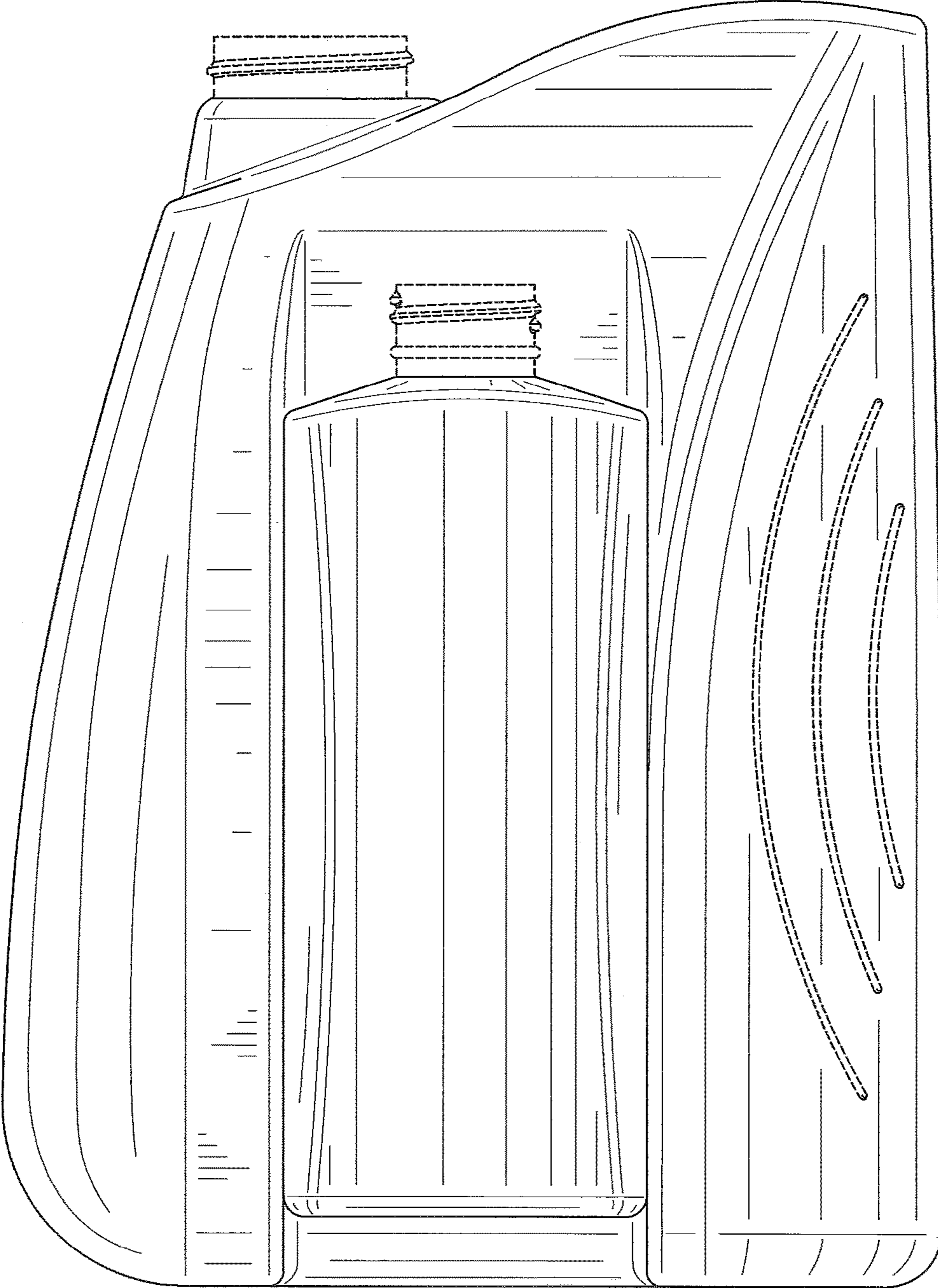


FIG. 1

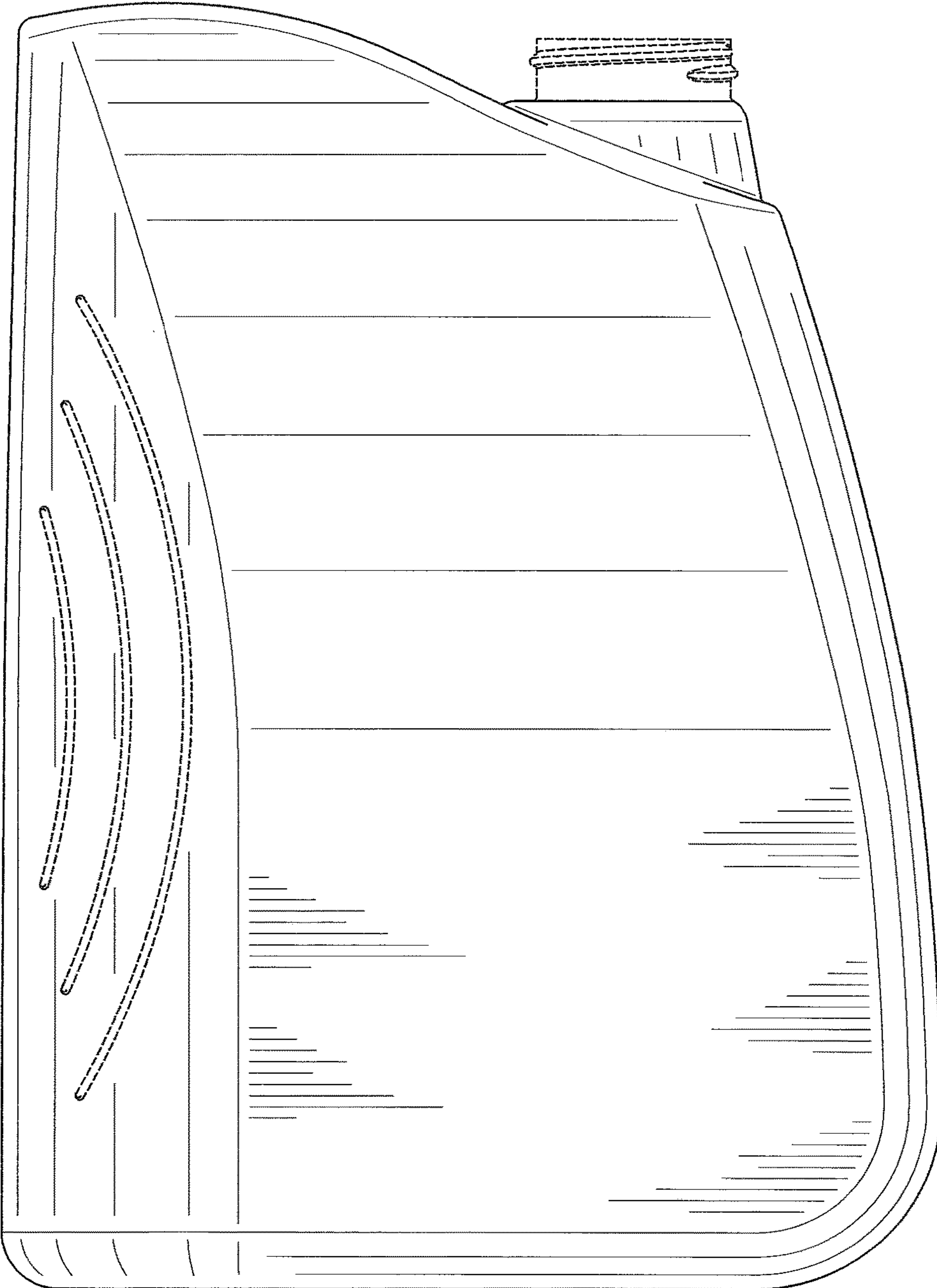


FIG. 2

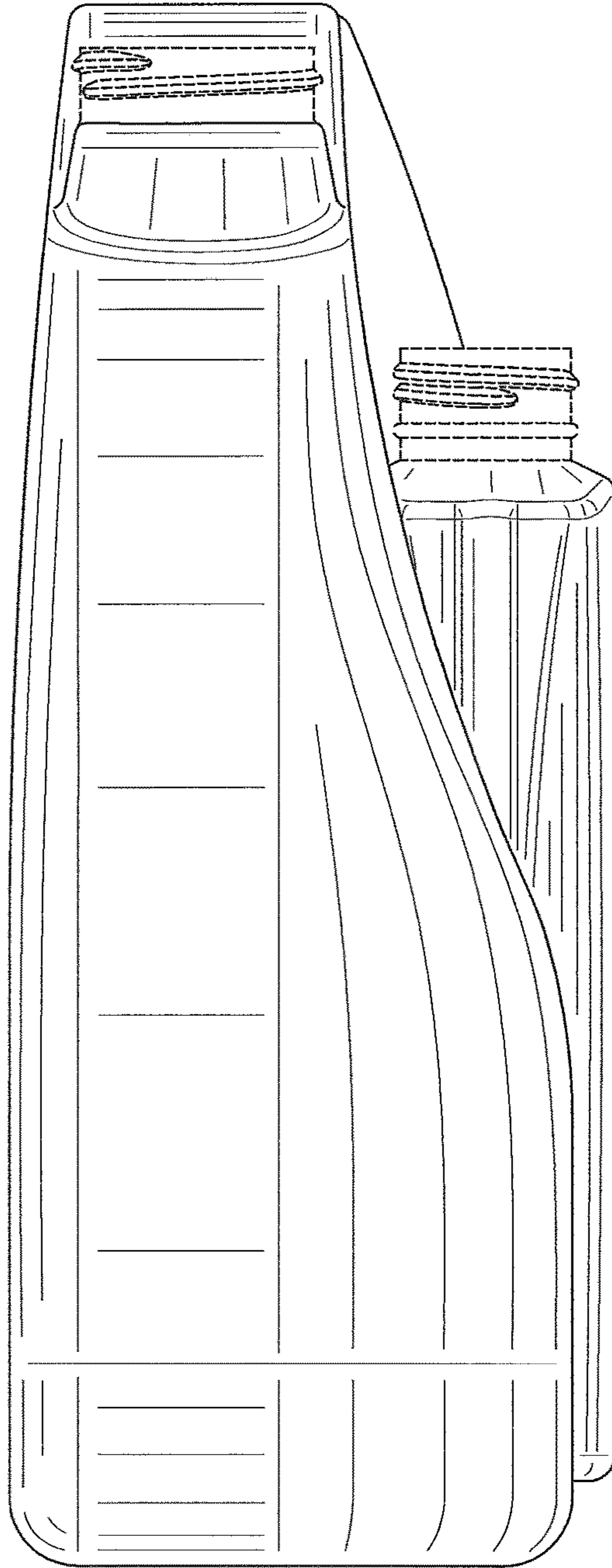


FIG. 3

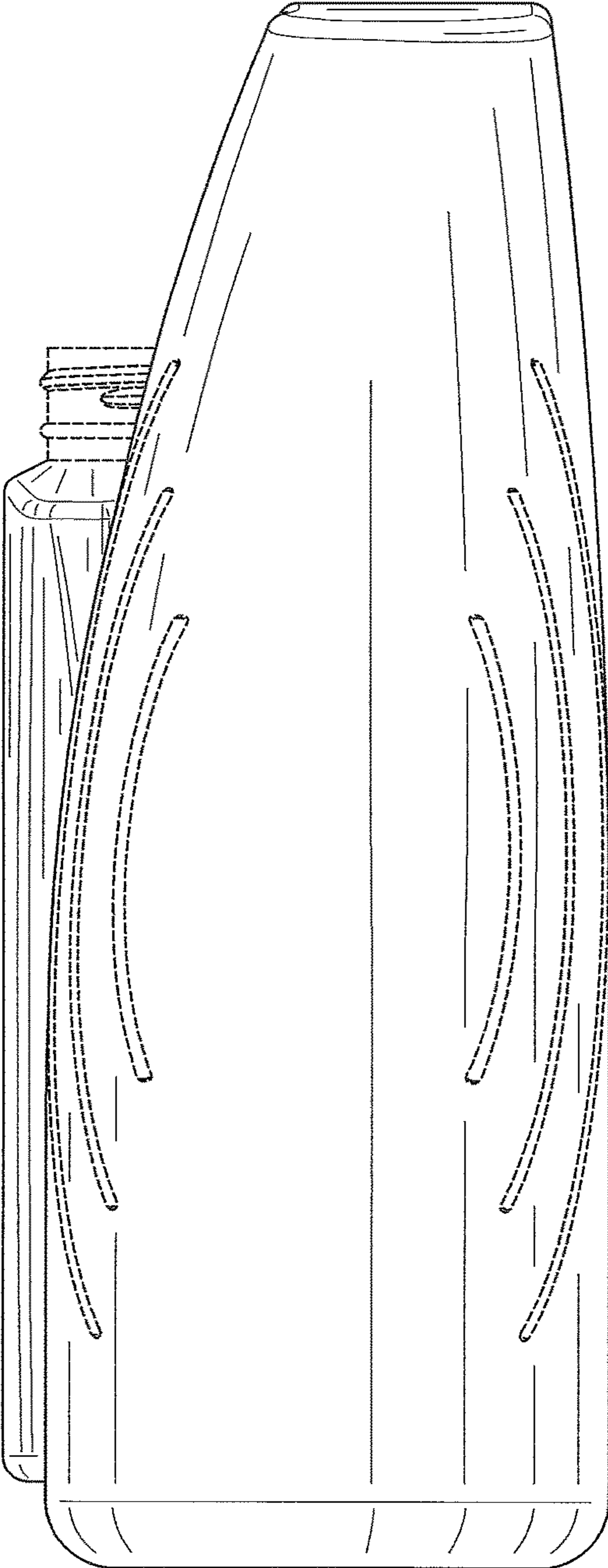


FIG. 4

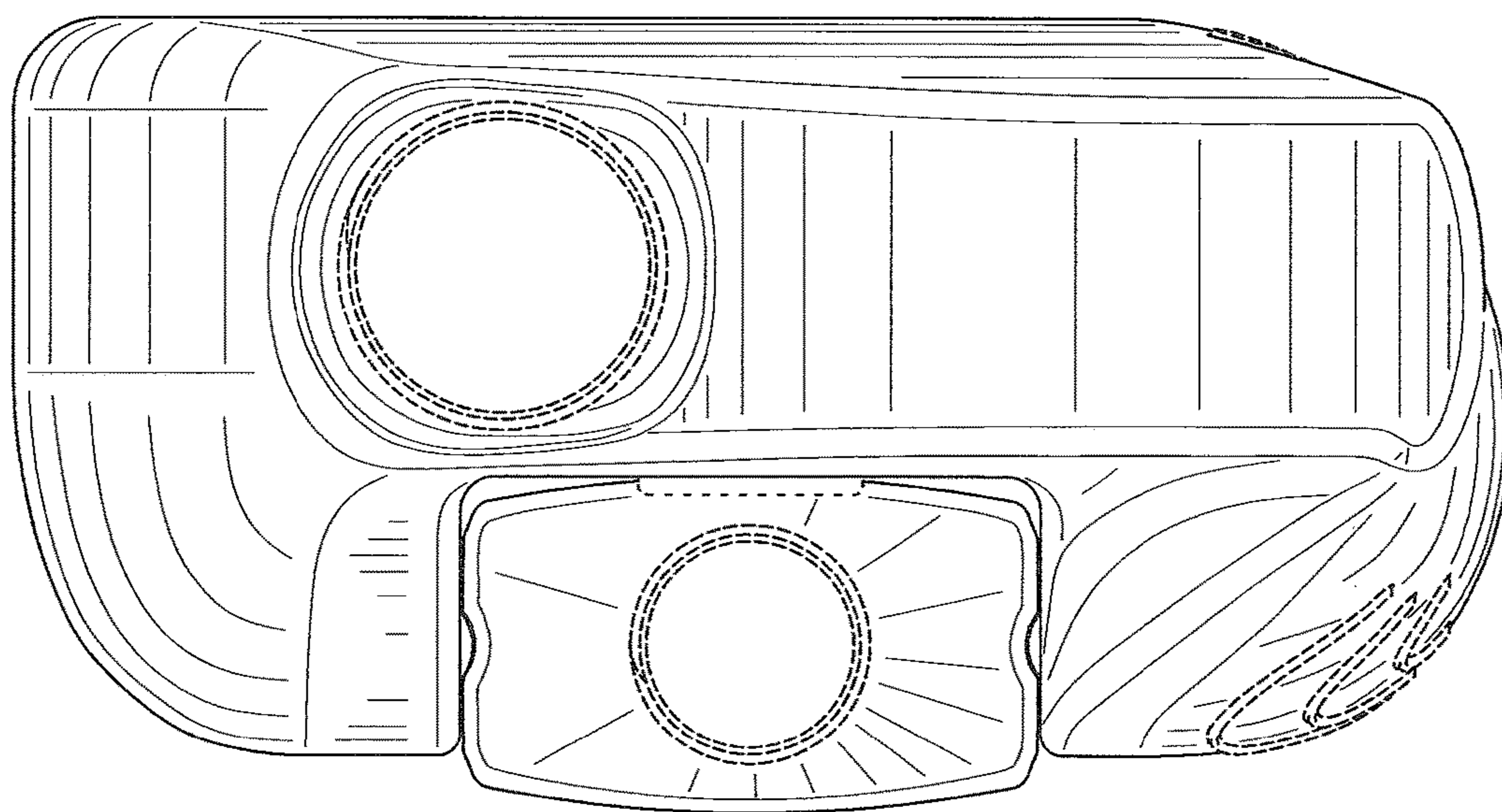


FIG. 5

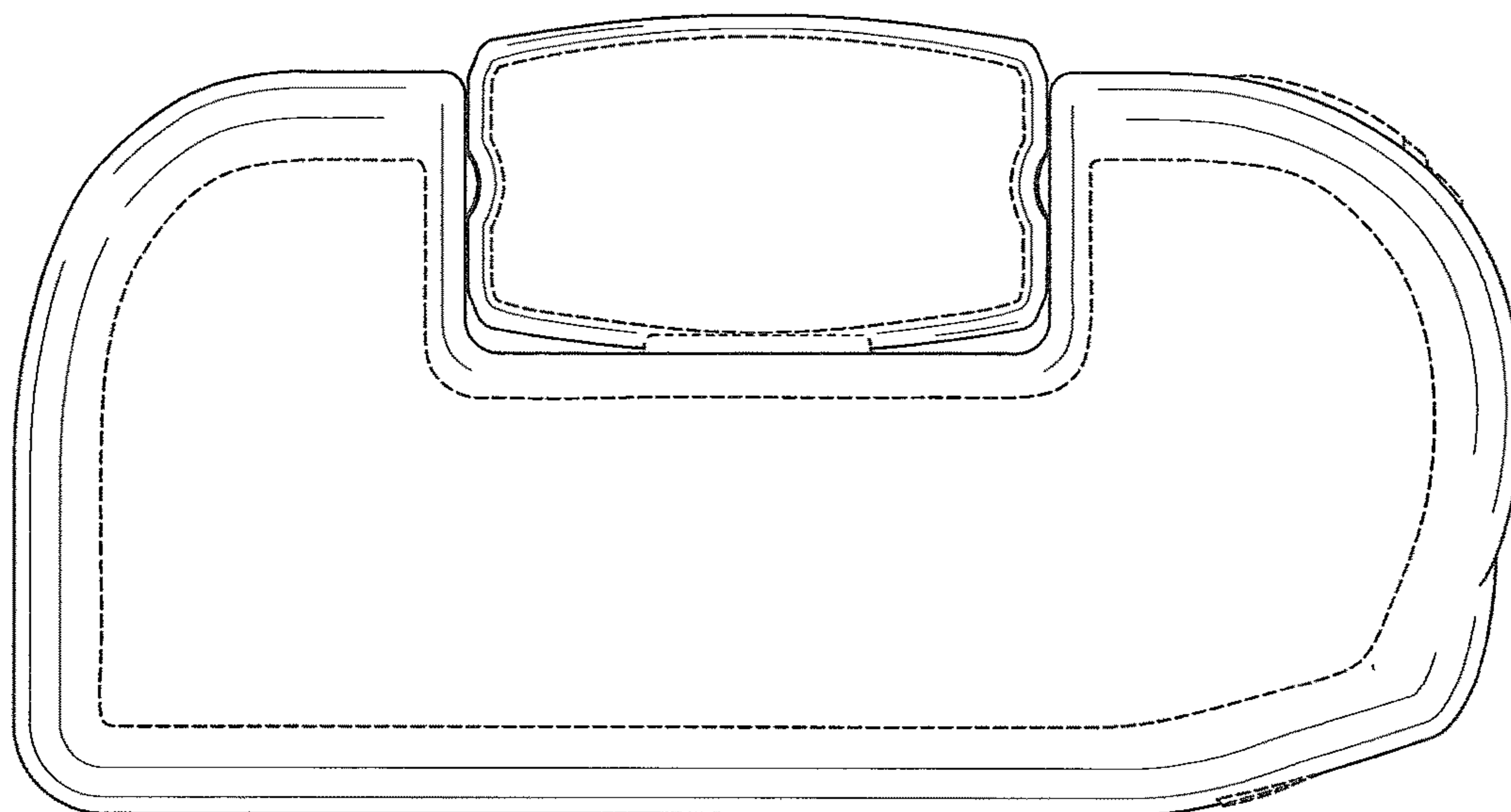


FIG. 6