



US00D841485S

(12) **United States Design Patent** (10) **Patent No.:** **US D841,485 S**
Lee (45) **Date of Patent:** **** Feb. 26, 2019**

(54) **COMBINED COSMETIC APPLICATOR AND CONTAINER**

(71) Applicant: **CHONG WOO CO., LTD.**, Incheon (KR)

(72) Inventor: **Chung Kee Lee**, Seoul (KR)

(73) Assignee: **CHONG WOO CO., LTD.**, Incheon (KR)

(**) Term: **15 Years**

(21) Appl. No.: **29/605,234**

(22) Filed: **May 24, 2017**

(30) **Foreign Application Priority Data**

Nov. 25, 2016 (KR) 30-2016-0056772

(51) **LOC (11) Cl.** **09-01**

(52) **U.S. Cl.**
USPC **D9/726**

(58) **Field of Classification Search**
USPC D9/442, 695-699, 702-714, 723-729;
D24/199; D28/7; 132/317, 318, 320;
222/95, 207, 212, 335
CPC A45D 34/00; A45D 40/00; B65D 81/3272
See application file for complete search history.

(56) **References Cited**

U.S. PATENT DOCUMENTS

D543,469 S * 5/2007 Py D9/447
D573,253 S * 7/2008 Gonzales D24/113

D579,786 S * 11/2008 Py D9/724
D655,621 S * 3/2012 Py D9/724
D695,907 S * 12/2013 Duquet D24/222
D696,789 S * 12/2013 Duquet D24/222
D722,499 S * 2/2015 Son D9/448

* cited by examiner

Primary Examiner — Derrick E Holland

Assistant Examiner — Janice Patyk

(74) *Attorney, Agent, or Firm* — Birch, Stewart, Kolasch & Birch, LLP

(57) **CLAIM**

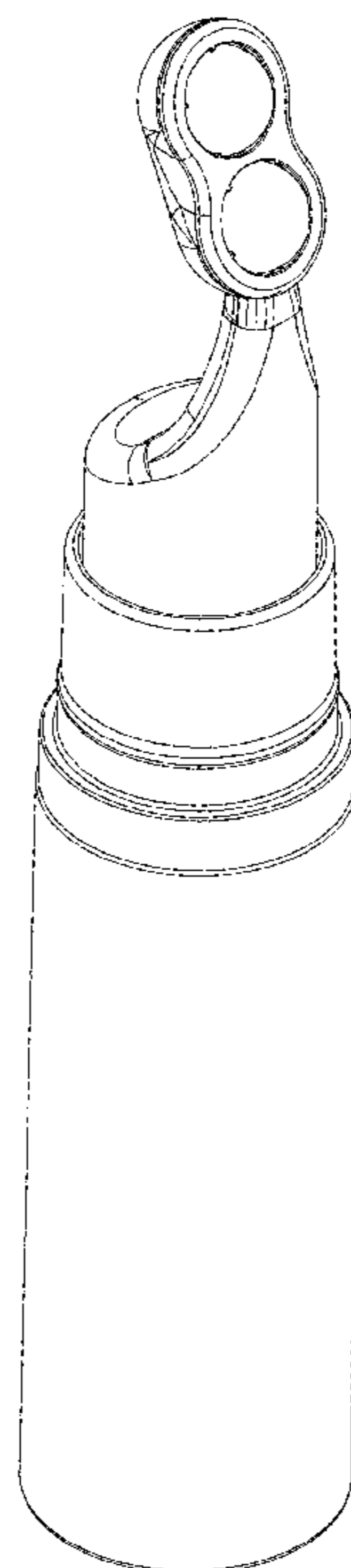
The ornamental design for a combined cosmetic applicator and container, as shown and described.

DESCRIPTION

FIG. 1 is a front, left side perspective view of a combined cosmetic applicator and container, showing my new design; FIG. 2 is a front view thereof; FIG. 3 is a rear view thereof; FIG. 4 is a left side view thereof; FIG. 5 is a right side view thereof; FIG. 6 is a top plan view thereof; FIG. 7 is a bottom view thereof; and, FIG. 8 is a front, left side perspective view thereof, shown with a cap on.

The broken lines in the figures illustrate the portions of the design that form no part of the claimed design.

1 Claim, 7 Drawing Sheets



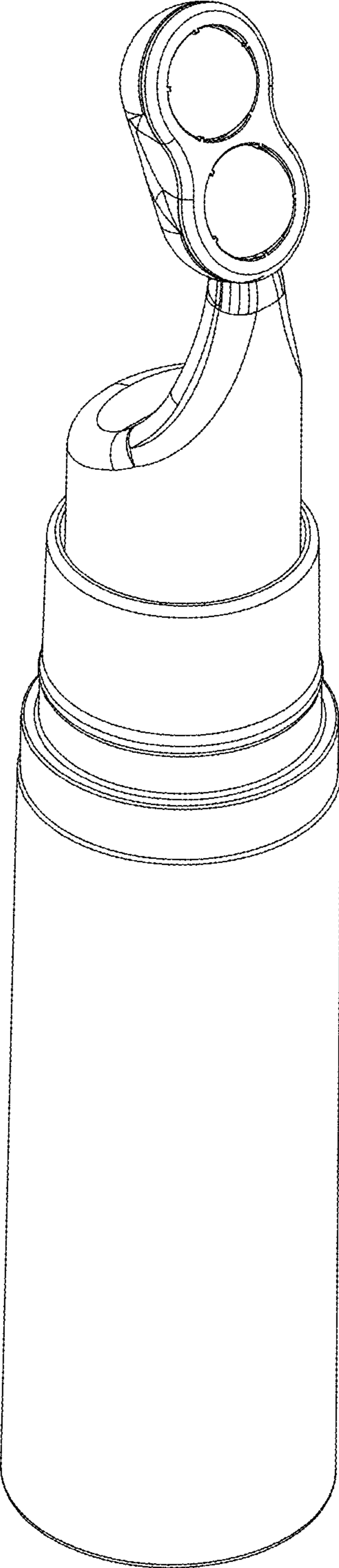


FIG. 1

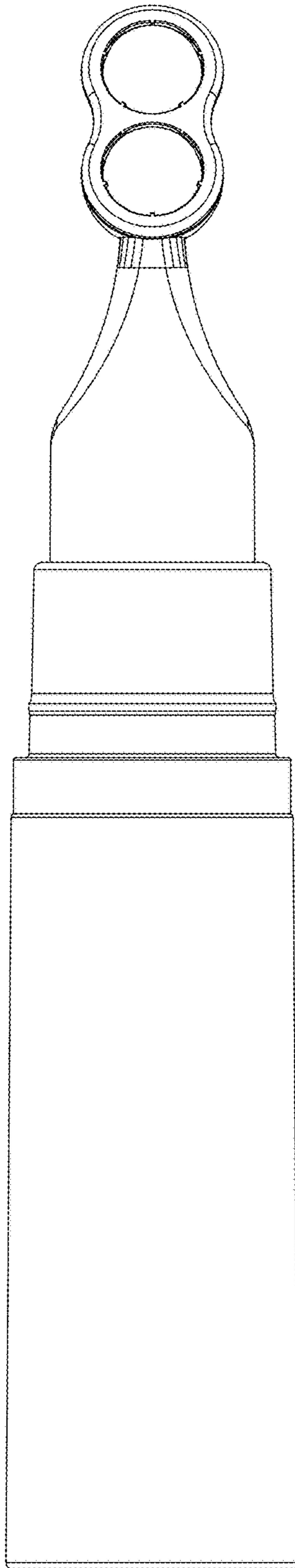


FIG.2

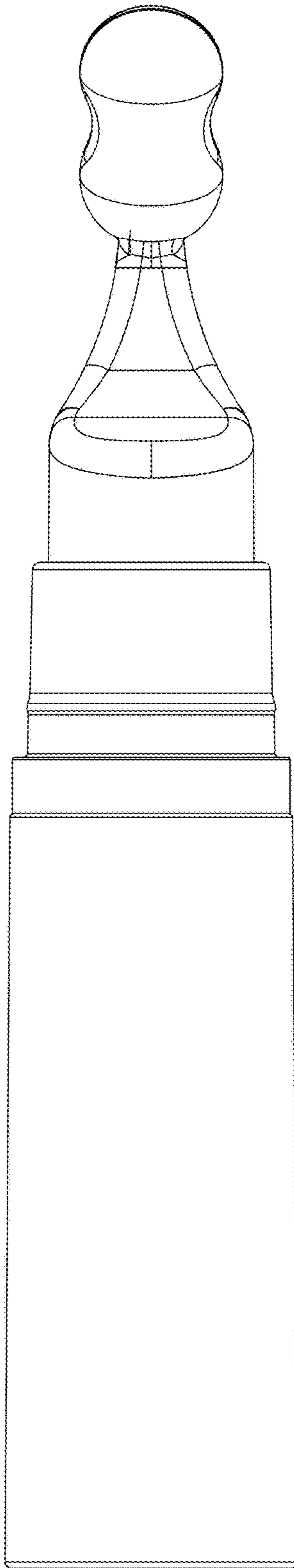


FIG. 3

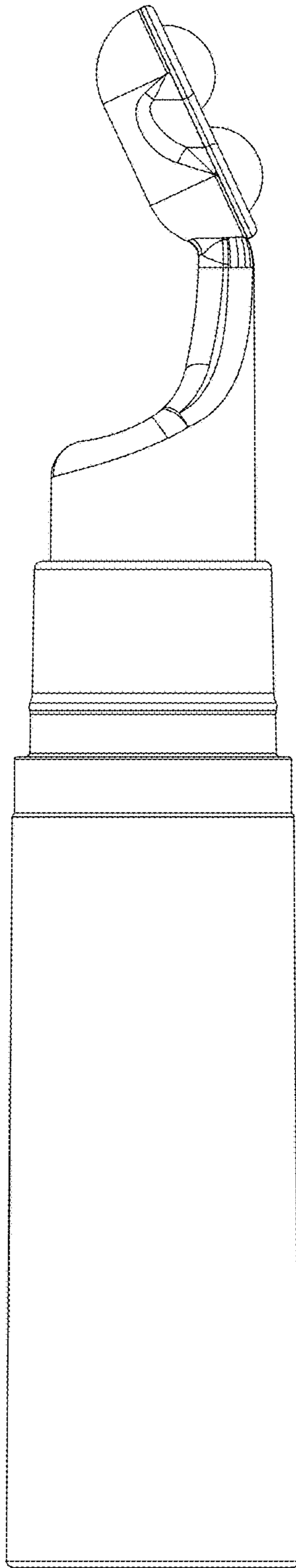


FIG.4

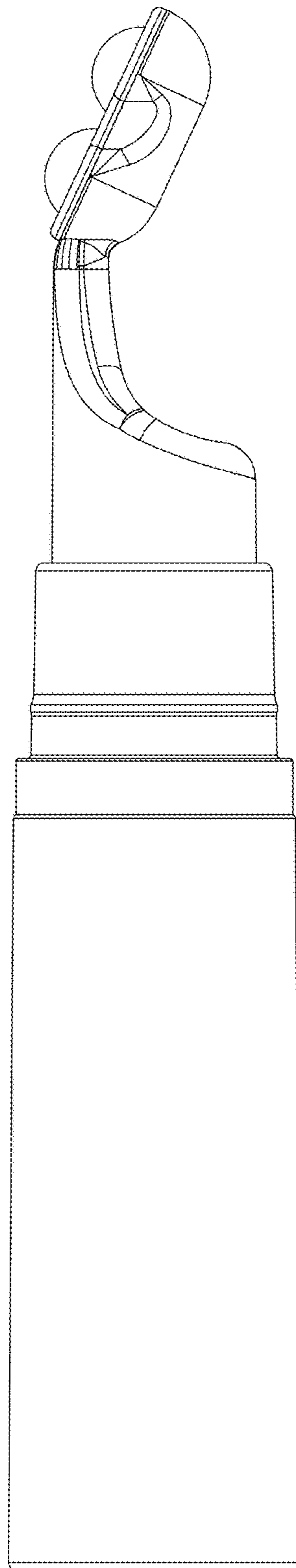


FIG.5

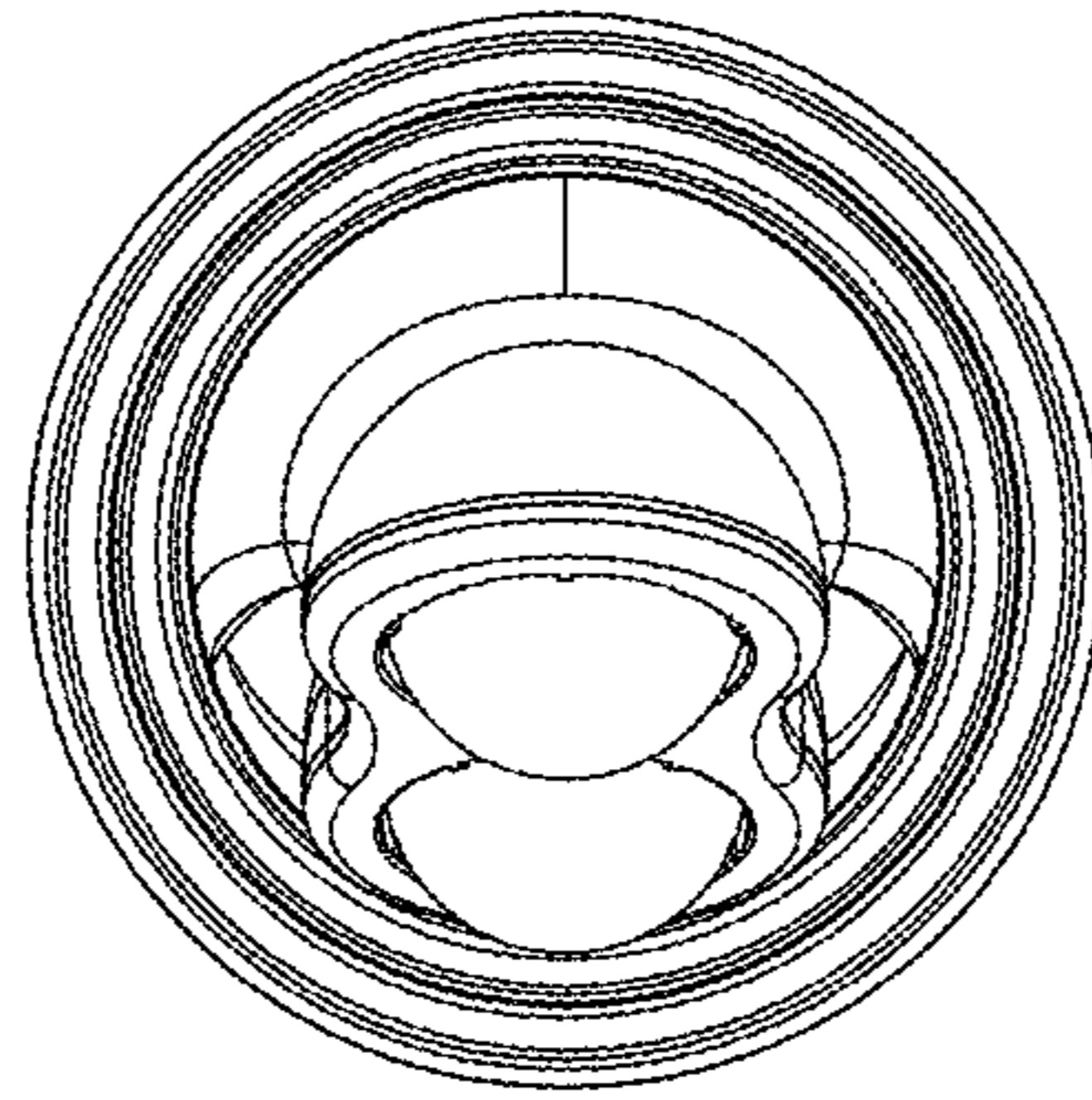


FIG. 6

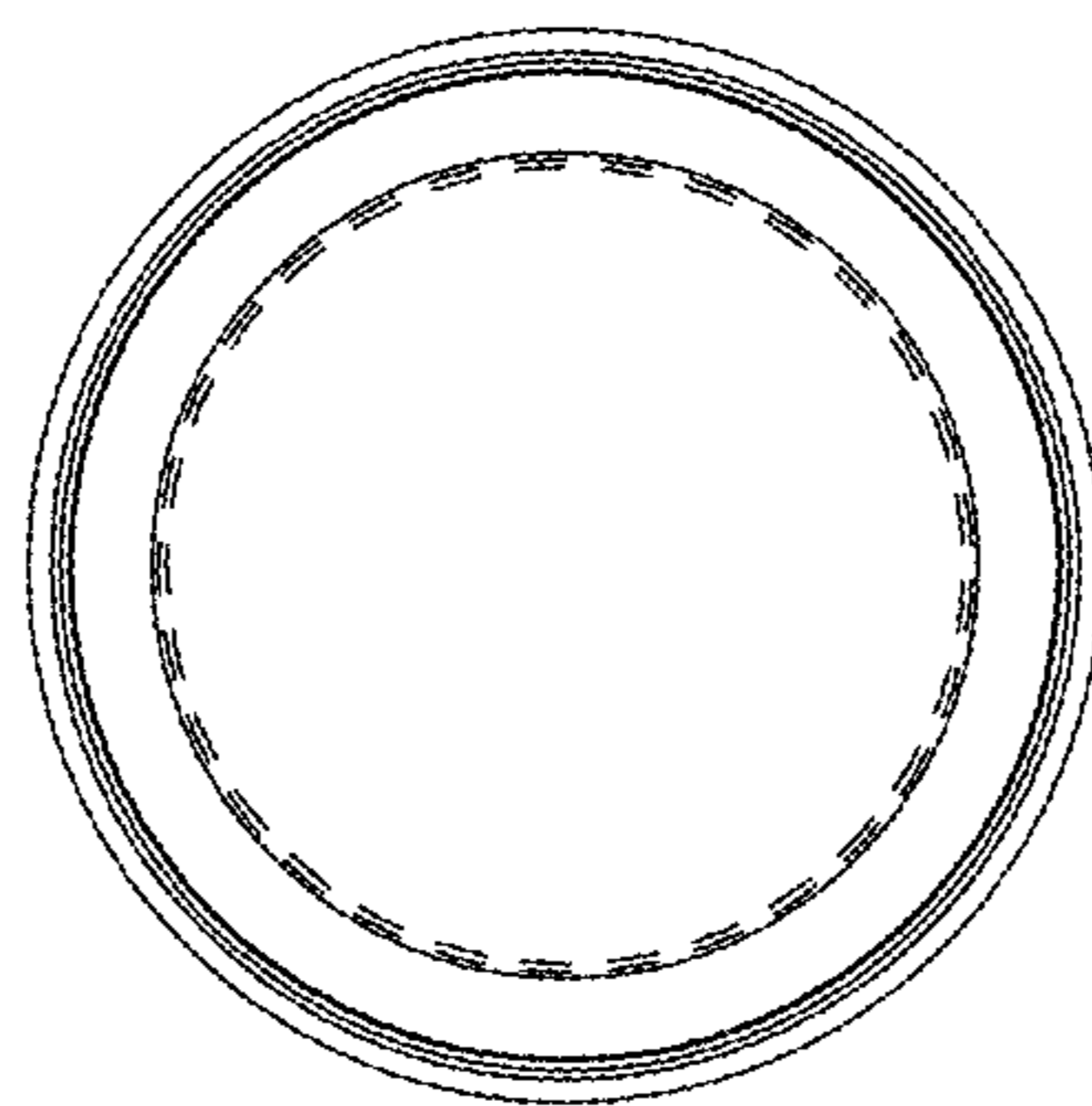


FIG. 7

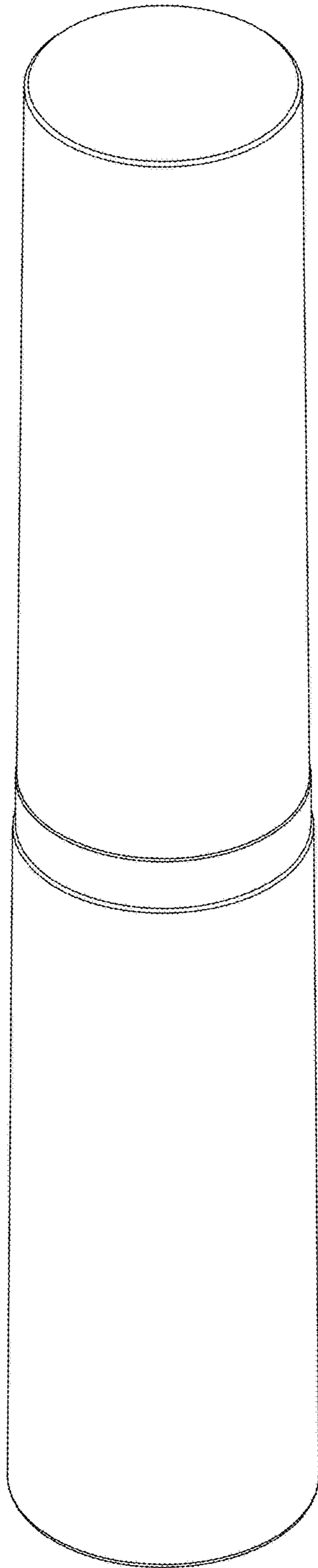


FIG.8