



US00D841484S

(12) **United States Design Patent**  
**Hill**

(10) **Patent No.:** **US D841,484 S**

(45) **Date of Patent:** **\*\* Feb. 26, 2019**

(54) **WRAPPER**

(71) Applicant: **Betty Fem Care Limited**, Surrey (GB)

(72) Inventor: **Dominic Hill**, Surrey (GB)

(73) Assignee: **IT'S A MONTHLY THING LIMITED** (GB)

(\*\*) Term: **15 Years**

(21) Appl. No.: **29/608,001**

(22) Filed: **Jun. 19, 2017**

(30) **Foreign Application Priority Data**

Dec. 20, 2016 (EP) ..... 003527951-0001/4

(51) **LOC (11) Cl.** ..... **09-05**

(52) **U.S. Cl.**  
USPC ..... **D9/713**

(58) **Field of Classification Search**

USPC ..... D9/702-714, 430-434, 414-417, 761,  
D9/731, 737, 419, 424-426, 734, 456,  
D9/499, 643-648, 720, 661, 662;  
426/122, 132, 106-120; 222/92, 107,  
222/527, 129, 541.1, 215; 206/229, 484,  
206/527, 396, 438, 449, 820, 812, 397,  
206/260; D24/118, 207, 121; 383/207,  
383/127, 84, 209, 108, 210, 63, 61.1,  
383/102-103, 109, 113, 120; 215/379,  
215/380-382; 229/87.01-87.09,  
229/87.11-87.19, 938, 103.2, 116.5, 923,  
229/123, 123.3, 200, 203, 204, 210;  
220/666; 211/85.15; 428/35.2;  
D3/203.1-203.6, 303

CPC ..... B65D 65/00; B65D 65/38; B65D 65/04;  
B65D 65/06; B65D 65/10; B65D 65/12;  
B65D 75/00; B65D 75/04; B65D 75/002

See application file for complete search history.

(56) **References Cited**

**U.S. PATENT DOCUMENTS**

1,474,826 A \* 11/1923 Hudec ..... B65D 65/08  
229/76

2,104,352 A \* 1/1938 Overly ..... B65D 27/04  
229/72

(Continued)

**FOREIGN PATENT DOCUMENTS**

WO 0019953 A1 4/2000

**OTHER PUBLICATIONS**

UK Patent Office Search Report GB169375.7 dated Apr. 27, 2017.

*Primary Examiner* — Abraham Bahta

(74) *Attorney, Agent, or Firm* — Luedeka Neely Group,  
PC

(57) **CLAIM**

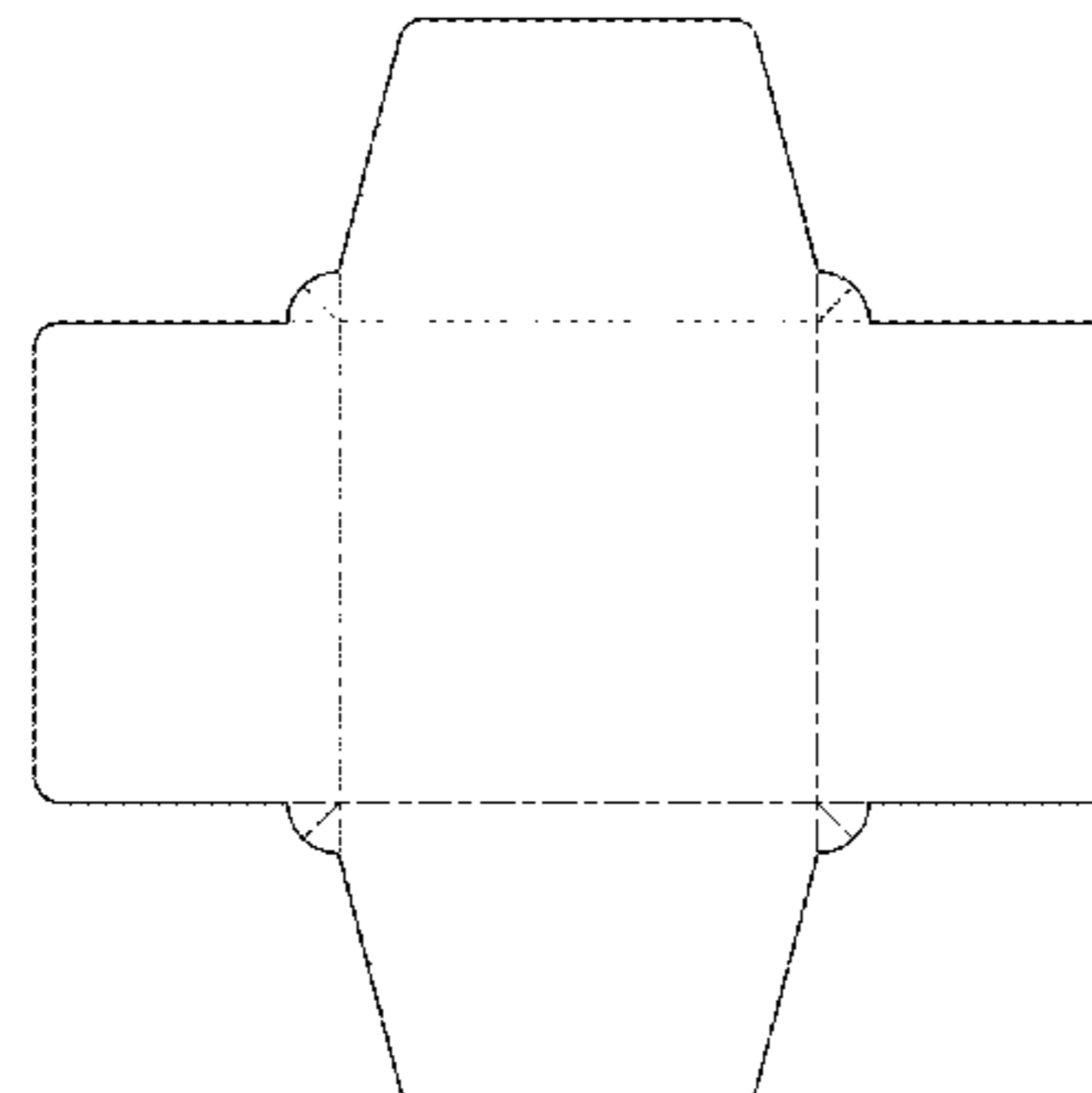
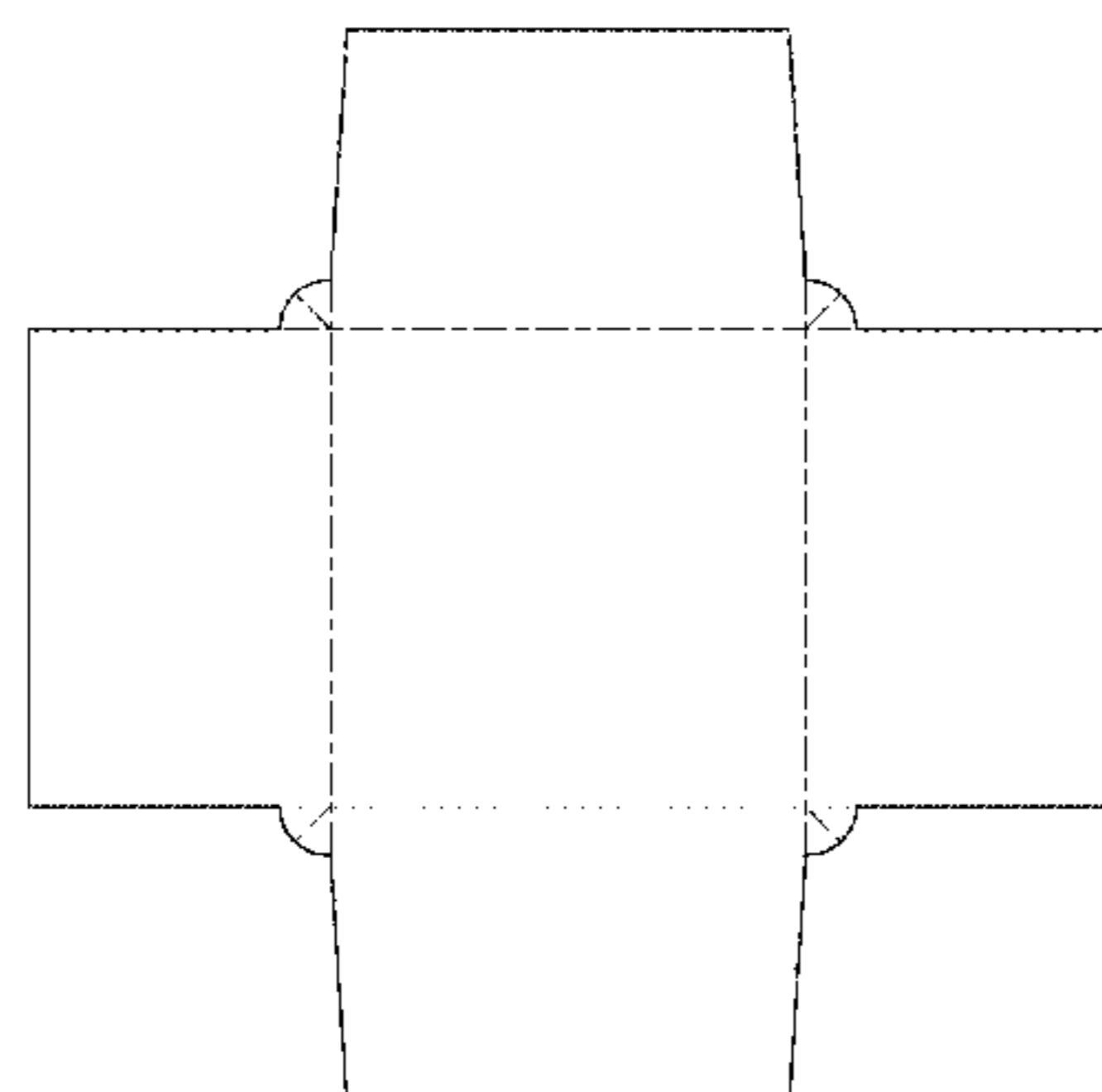
The ornamental design for a wrapper, as shown and described.

**DESCRIPTION**

FIG. 1 is a top view of a first embodiment of a wrapper of my new design;  
FIG. 2 is a bottom view of the wrapper of FIG. 1;  
FIG. 3 is a side view of the wrapper of FIG. 1;  
FIG. 4 is a top view of a second embodiment of a wrapper of my new design;  
FIG. 5 is a bottom view of the wrapper of FIG. 4;  
FIG. 6 is a side view of the wrapper of FIG. 4;  
FIG. 7 is a top view of a third embodiment of a wrapper of my new design;  
FIG. 8 is a bottom view of the wrapper of FIG. 7;  
FIG. 9 is a side view of the wrapper of FIG. 7;  
FIG. 10 is a top view of a fourth embodiment of a wrapper of my new design;  
FIG. 11 is a bottom view of the wrapper of FIG. 10; and,  
FIG. 12 is a side view of the wrapper of FIG. 10.

The broken lines in the drawings are included for the purpose of illustrating unclaimed features and form no part of the claimed design.

**1 Claim, 8 Drawing Sheets**



(56)

**References Cited**

U.S. PATENT DOCUMENTS

3,185,373	A *	5/1965	Margulies .....	B65D 5/724 206/804
3,273,781	A *	9/1966	Mills .....	B65D 75/14 229/87.01
4,562,952	A *	1/1986	Chinman .....	A45C 3/00 206/292
D289,228	S *	4/1987	Chinman .....	D3/299
4,773,905	A	9/1988	Molee et al.	
4,781,712	A	11/1988	Barabino et al.	
4,968,311	A	11/1990	Chickering et al.	
5,706,950	A	1/1998	Houghton et al.	
8,783,546	B2 *	7/2014	Uyehara .....	B65D 65/06 150/154

\* cited by examiner

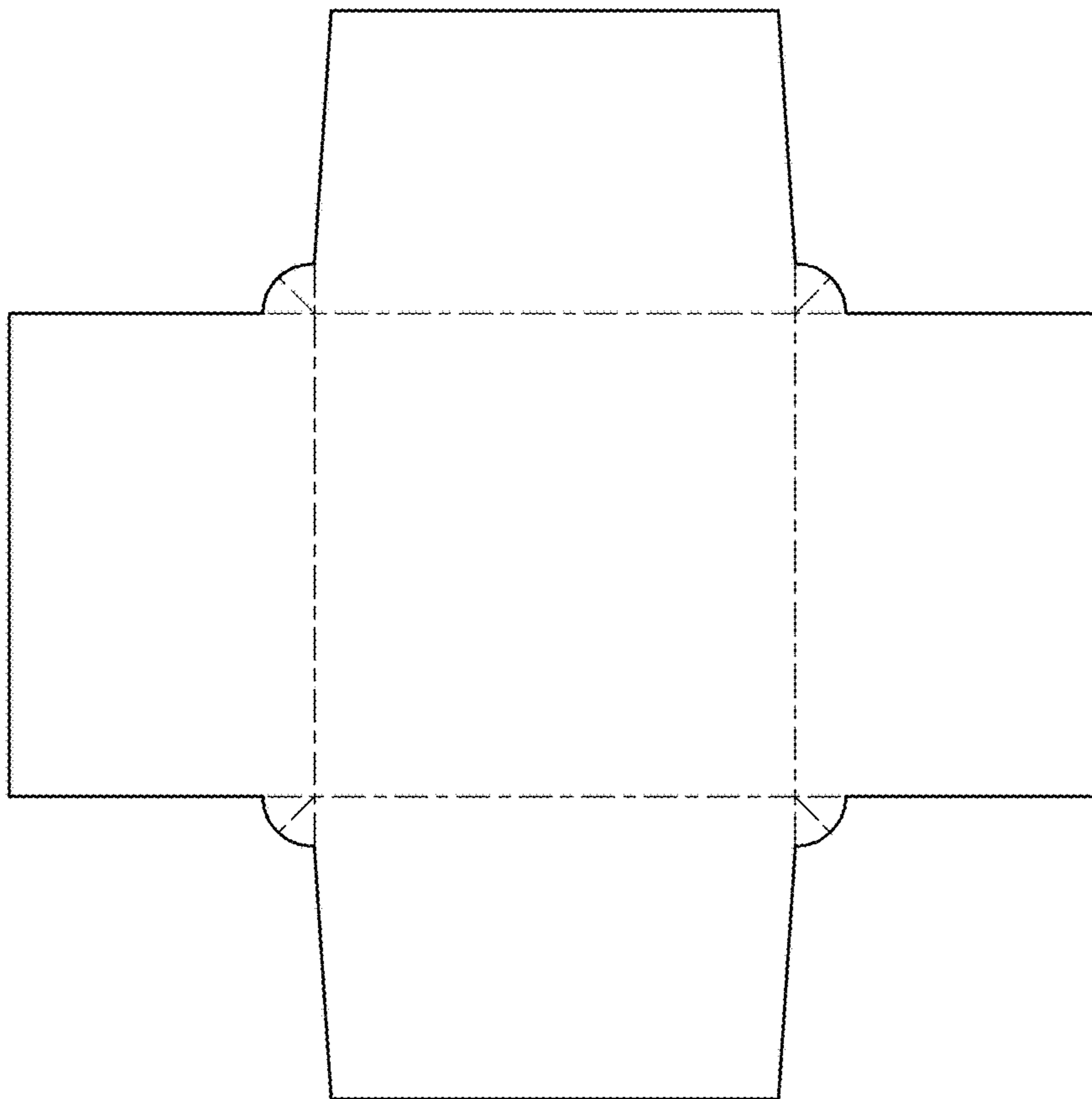


FIG. 1

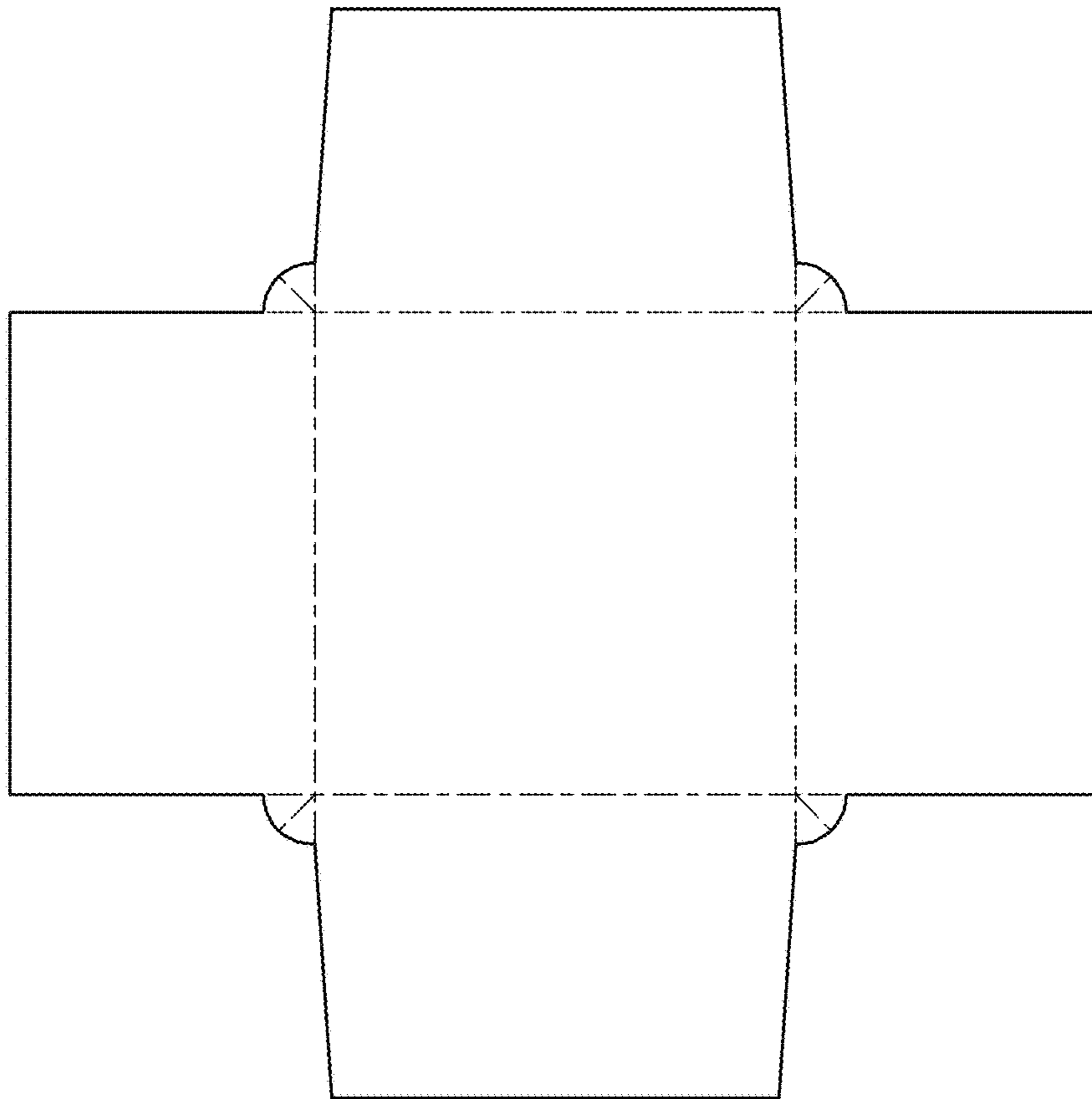


FIG. 2



FIG. 3

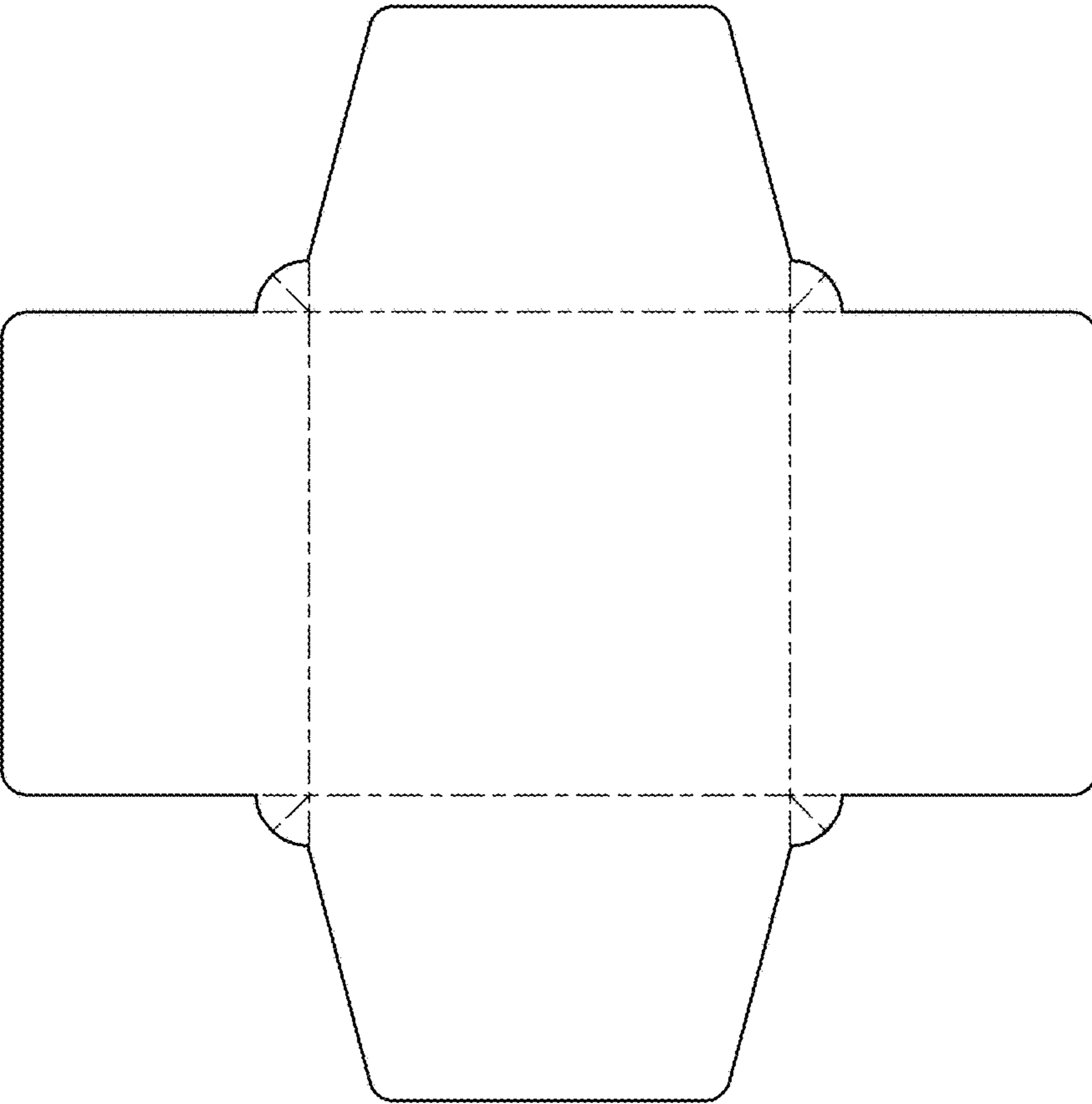


FIG. 4

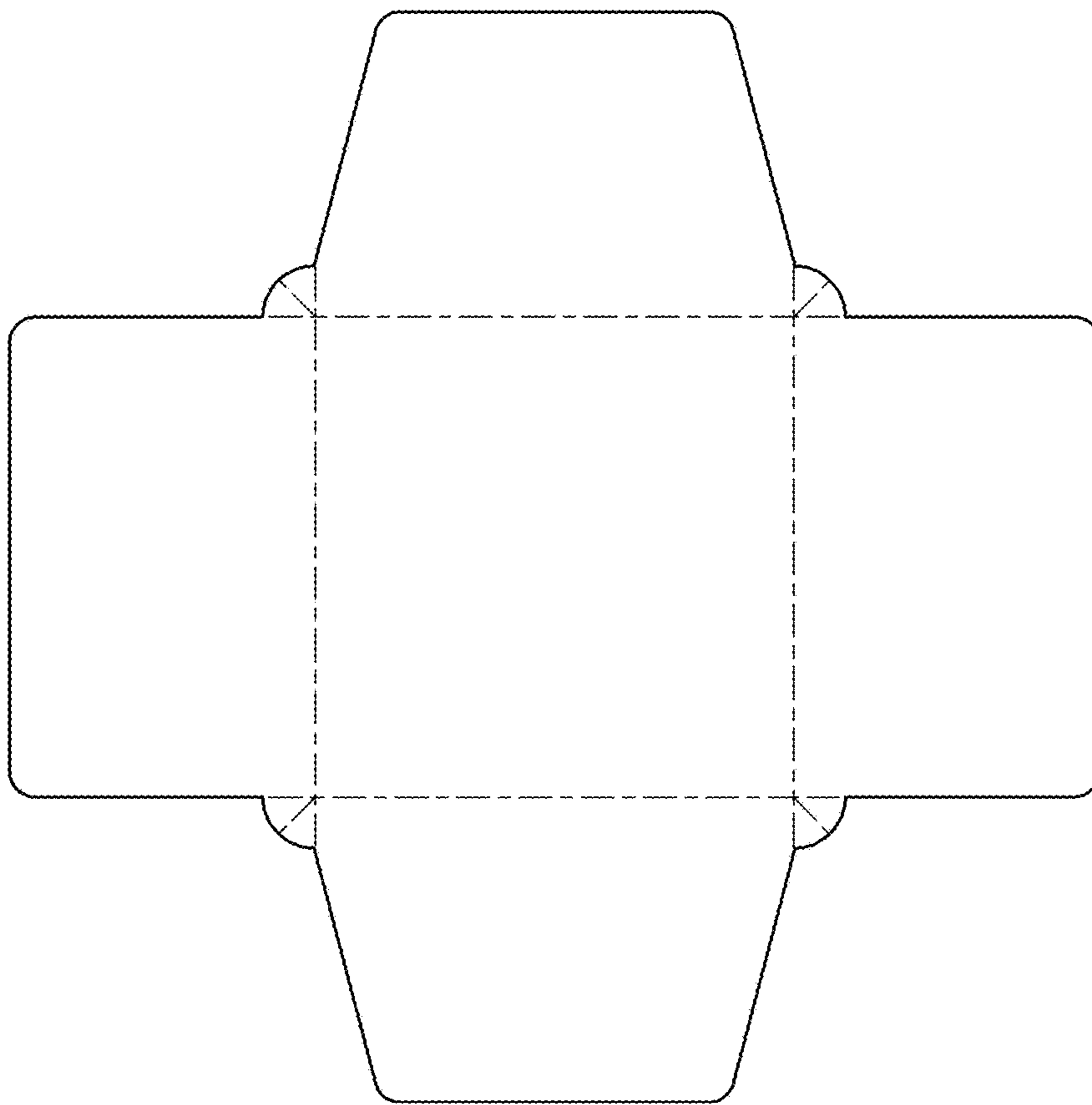


FIG. 5



FIG. 6

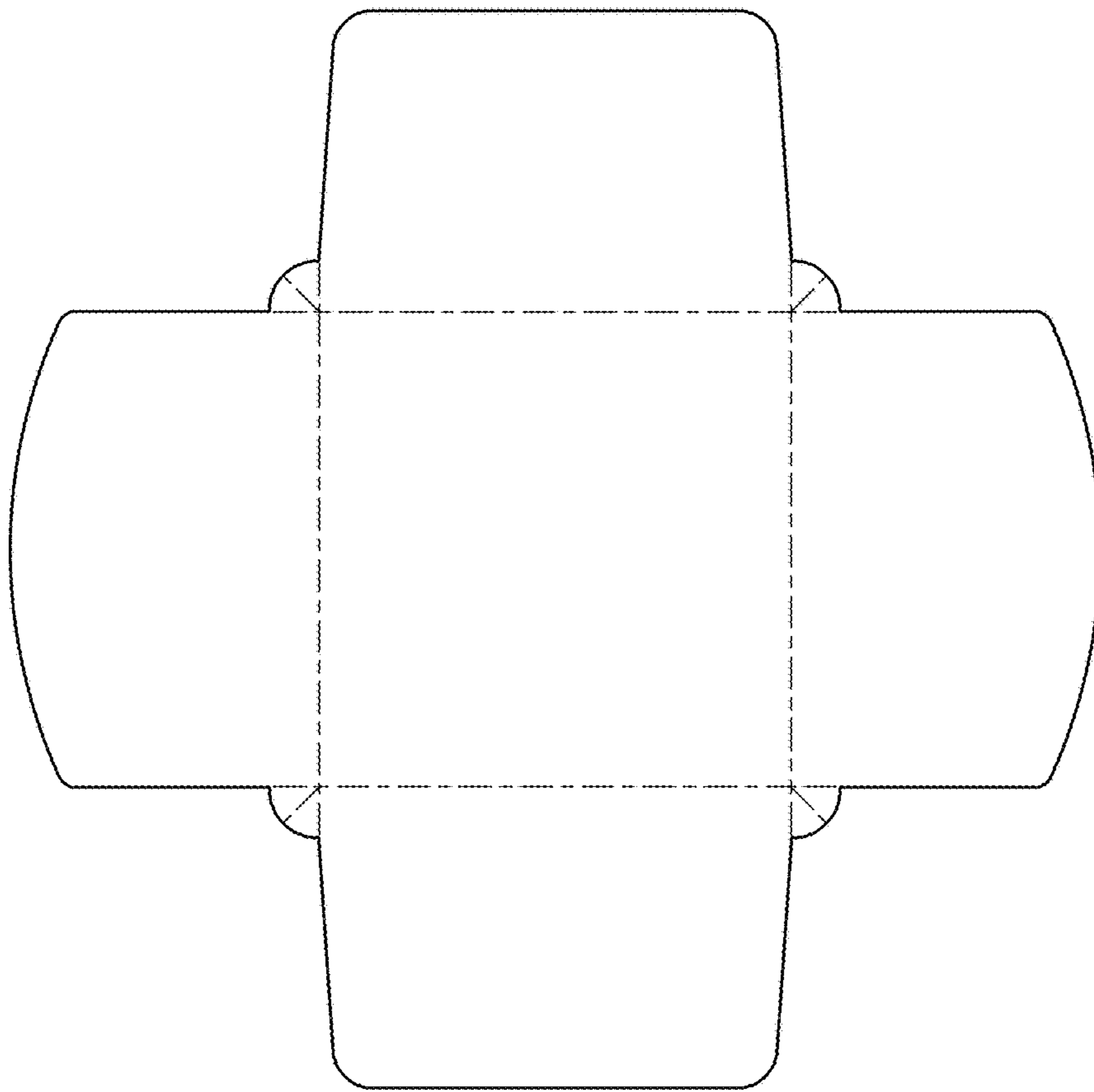


FIG. 7

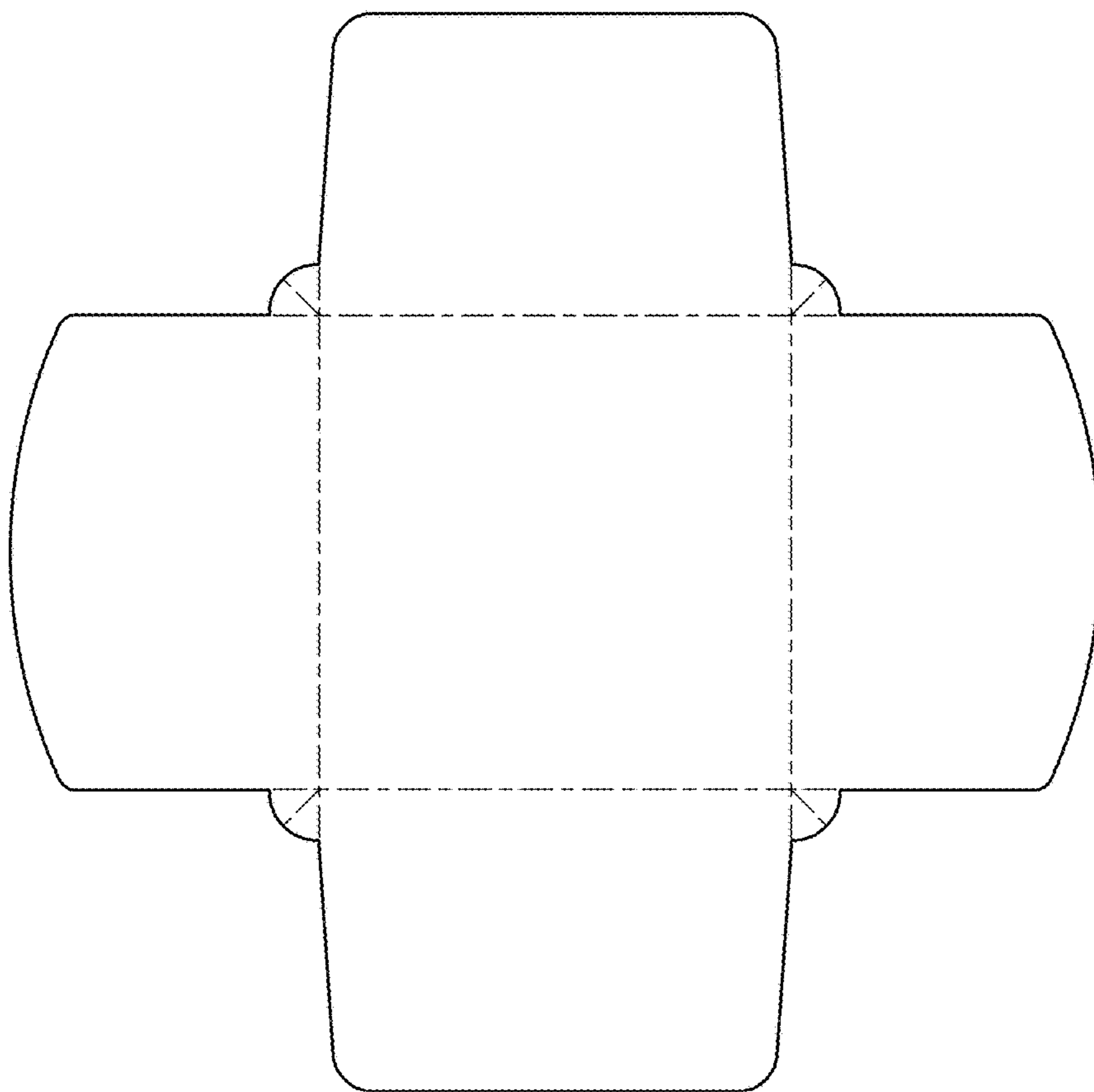


FIG. 8



FIG. 9



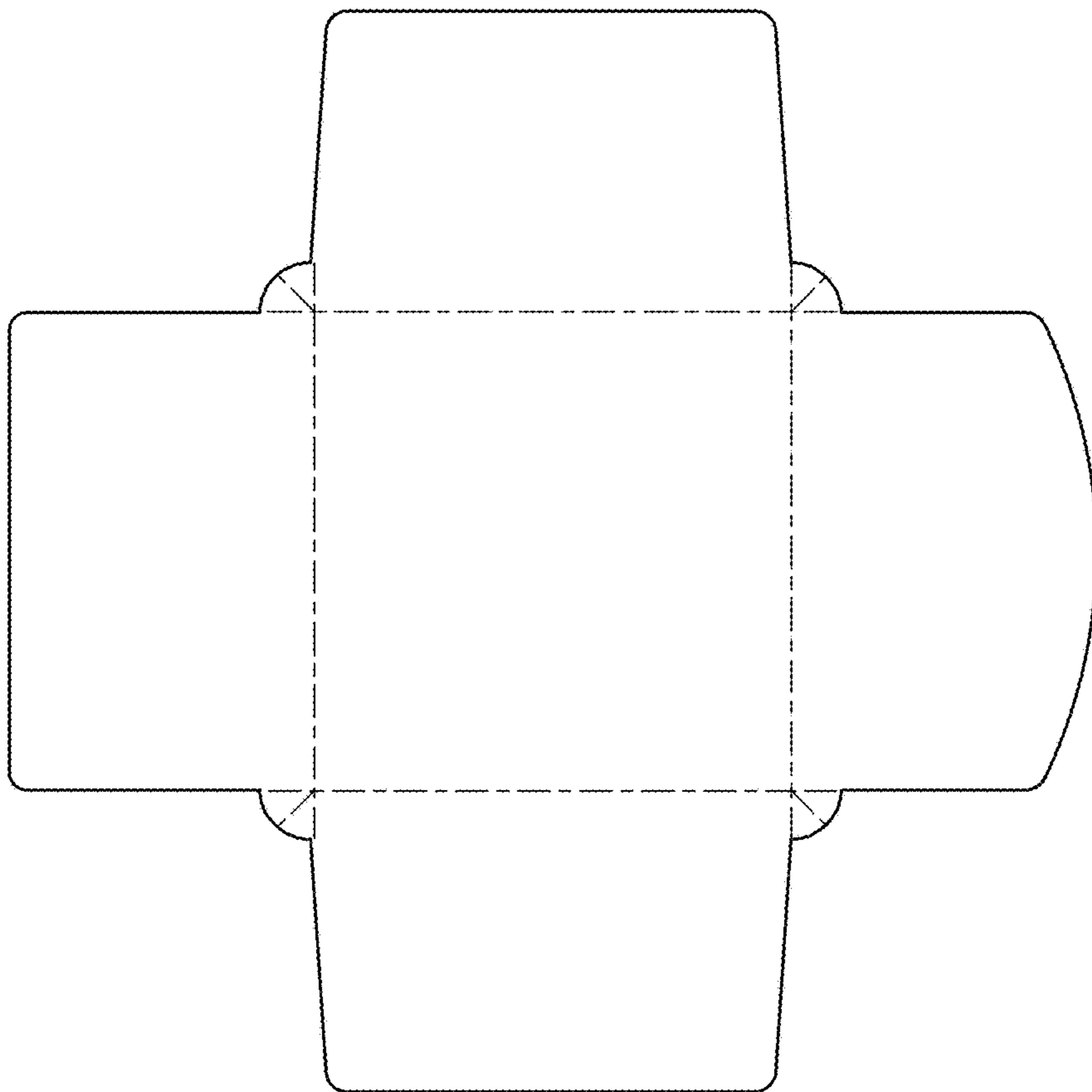


FIG. 10

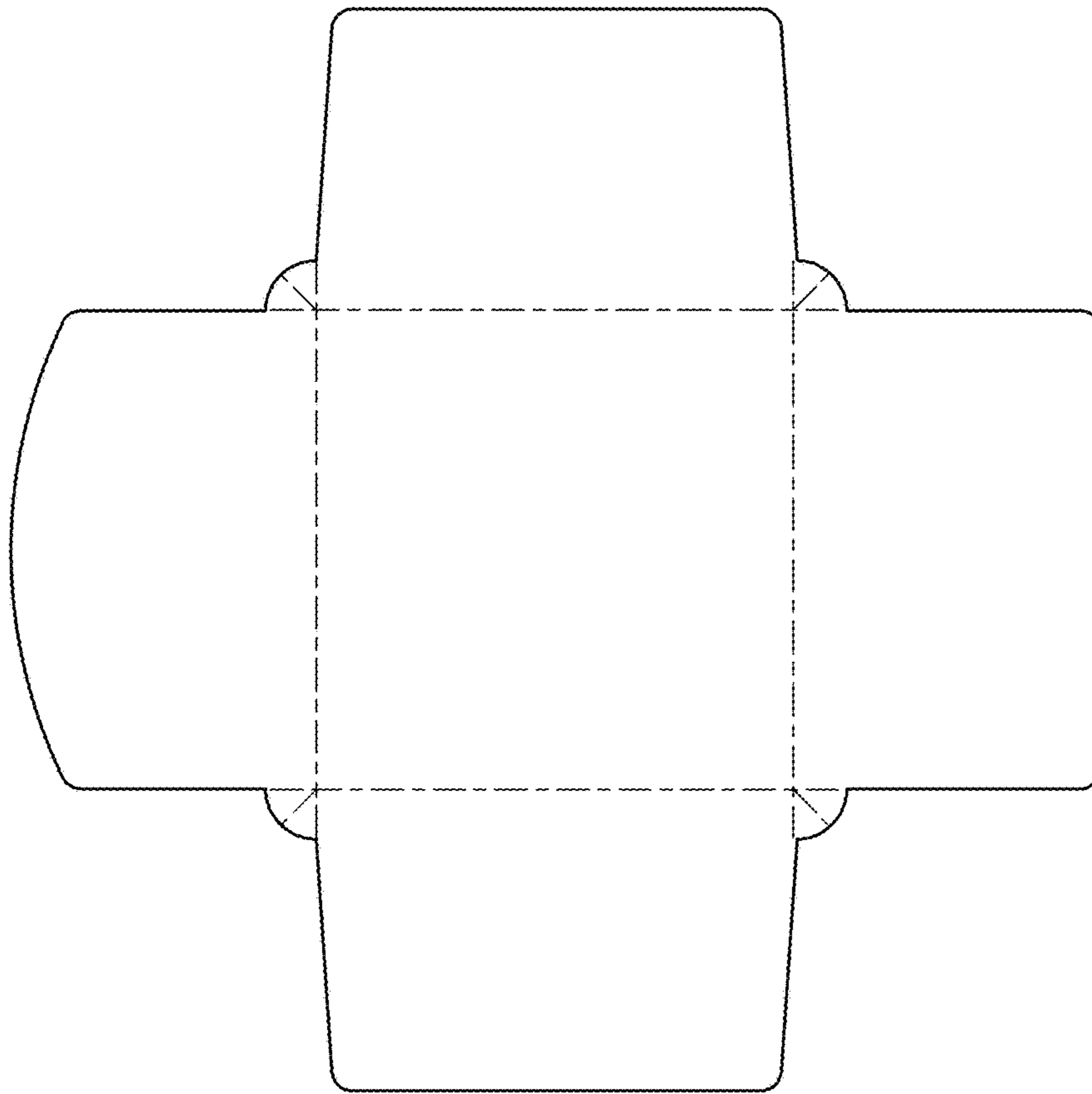


FIG. 11

---

FIG. 12