



US00D841481S

(12) **United States Design Patent** (10) **Patent No.:** **US D841,481 S**
Luo (45) **Date of Patent:** **** Feb. 26, 2019**

(54) **BED-SHAPED CONTAINER**
(71) Applicant: **Yan Luo**, Pasadena, CA (US)
(72) Inventor: **Yan Luo**, Pasadena, CA (US)
(**) Term: **15 Years**

D67,610 S * 6/1925 Meyer D21/520
D70,885 S * 8/1926 Medina D21/520
D116,549 S * 9/1939 Brown D9/642
D146,239 S * 1/1947 Ungemah D9/642
D152,894 S * 3/1949 Lubberts et al. D6/394
D236,187 S * 8/1975 van Spronsen D9/642
D260,147 S * 8/1981 Thomas A63H 3/005
D21/520
D277,340 S * 1/1985 Christen D3/271.7
5,605,279 A * 2/1997 Adamek B65D 5/3621
229/112

(21) Appl. No.: **29/625,314**
(22) Filed: **Nov. 8, 2017**
(51) **LOC (11) Cl.** **09-01**
(52) **U.S. Cl.**
USPC **D9/642; D21/520**
(58) **Field of Classification Search**
USPC D3/270, 271.1–271.7; D7/510, 514–520,
D7/599, 604, 613, 619.2, 623, 628;
D9/600, 636–642, 414–418, 430–434;
206/457, 459.5, 527; 215/381–384, 400;
D21/519–520; D6/382, 393, 394
CPC B65D 5/4258; B65D 81/60; B65D 81/365;
B65D 81/366; B65D 81/368; B65D
2203/00; B65D 2203/02; B65D 5/42;
B65D 67/00; B65D 77/00; A63H 33/16;
A63H 3/005
See application file for complete search history.

* cited by examiner

Primary Examiner — Sandra L Morris
(74) *Attorney, Agent, or Firm* — Gloria Tsui-Yip, Esq.;
Gottlieb, Rackman & Reisman, P.C.

(56) **References Cited**
U.S. PATENT DOCUMENTS

D28,042 S * 12/1897 Jones B65D 5/3621
D9/642
D28,044 S * 12/1897 Jones D9/642
961,331 A * 6/1910 Young A63H 3/005
D21/520

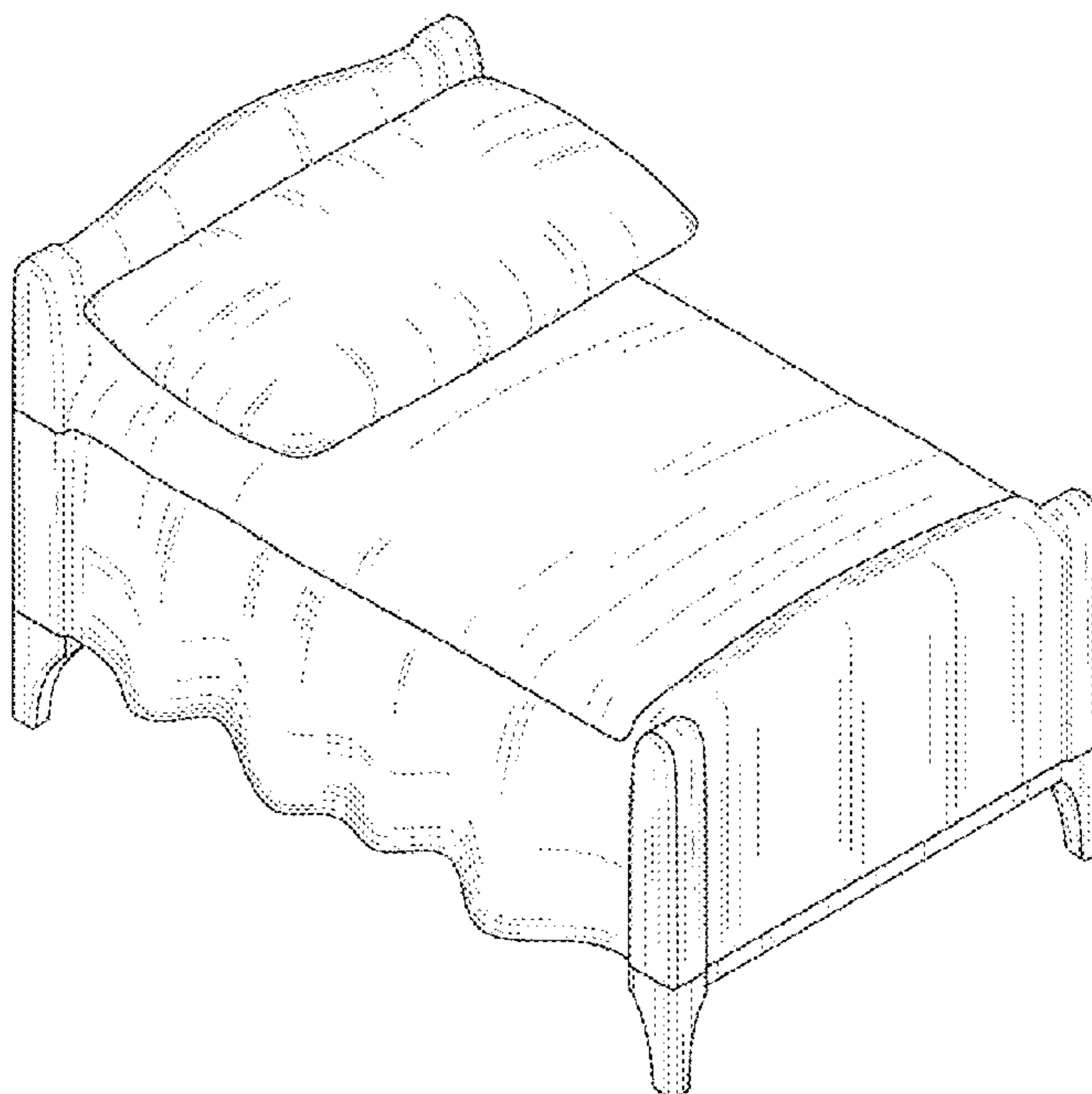
(57) **CLAIM**

The ornamental design for a bed-shaped container, as shown and described.

DESCRIPTION

FIG. 1 is a perspective view of my new design;
FIG. 2 is another perspective view thereof;
FIG. 3 is a perspective exploded view thereof;
FIG. 4 is another perspective exploded view thereof;
FIG. 5 is a front elevational view thereof;
FIG. 6 is a rear elevational view thereof;
FIG. 7 is a left side view thereof;
FIG. 8 is a right side view thereof;
FIG. 9 is a top plan view thereof; and,
FIG. 10 is a bottom plan view thereof.

1 Claim, 10 Drawing Sheets



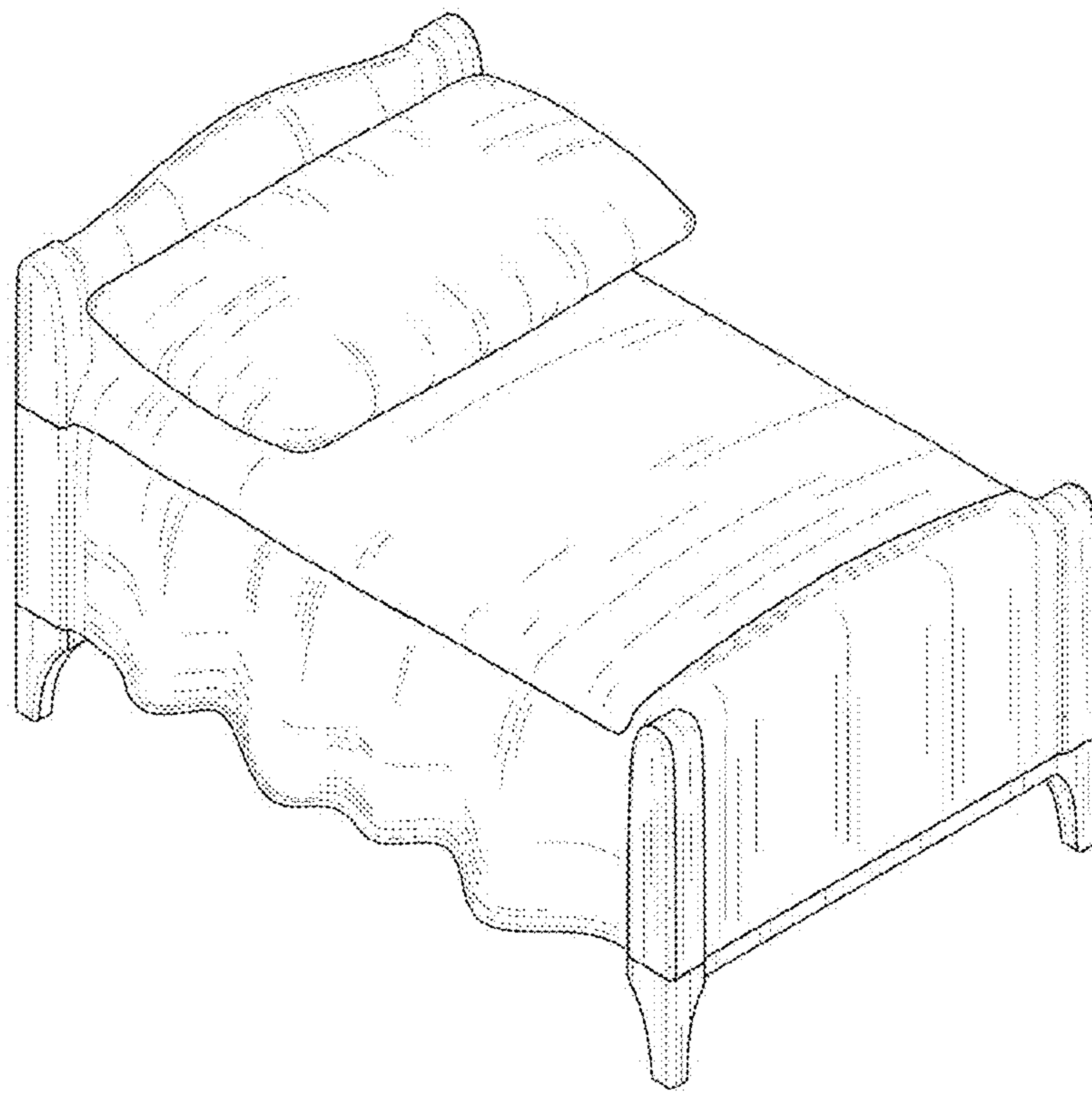


FIG. 1

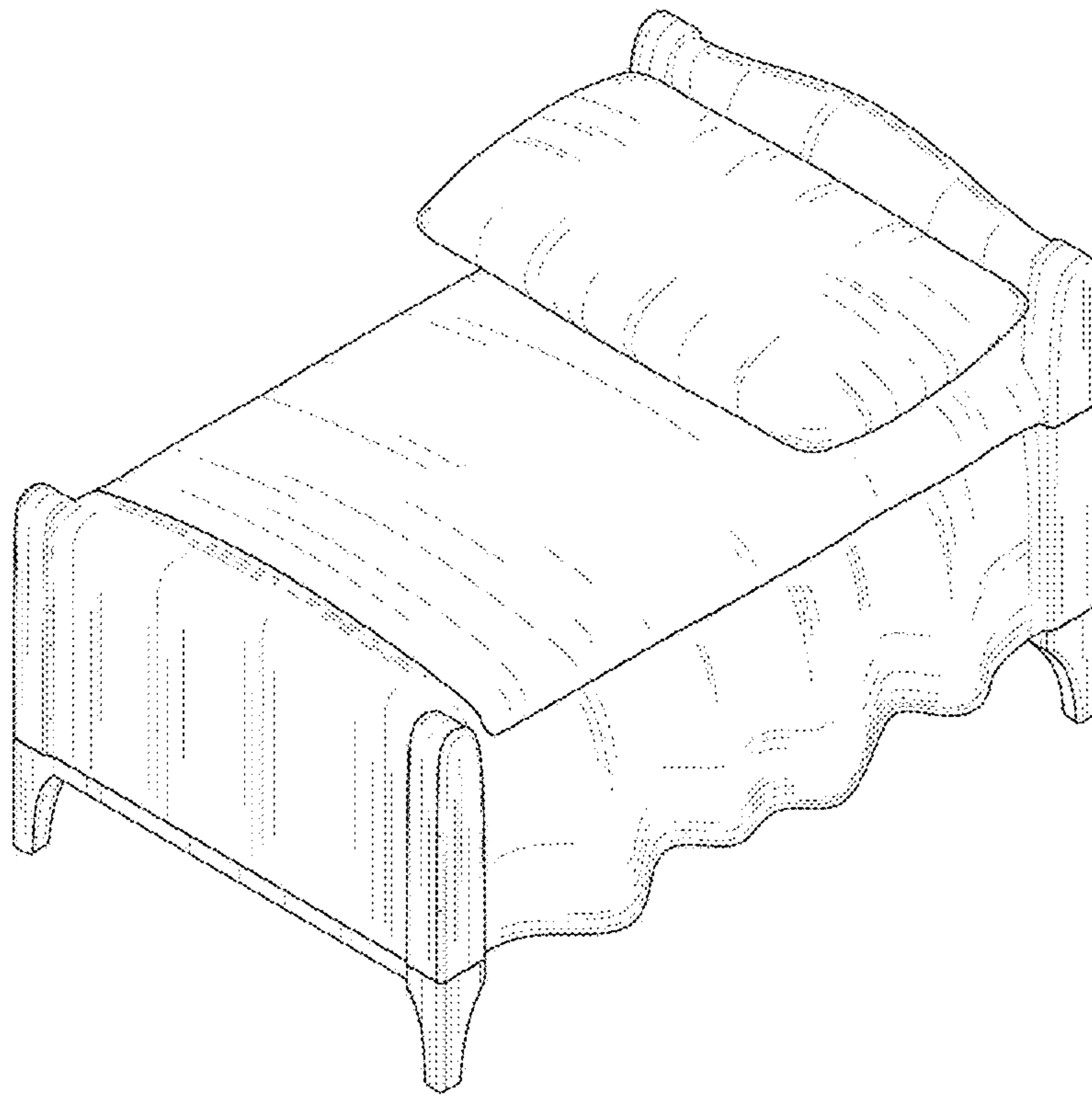


FIG. 2

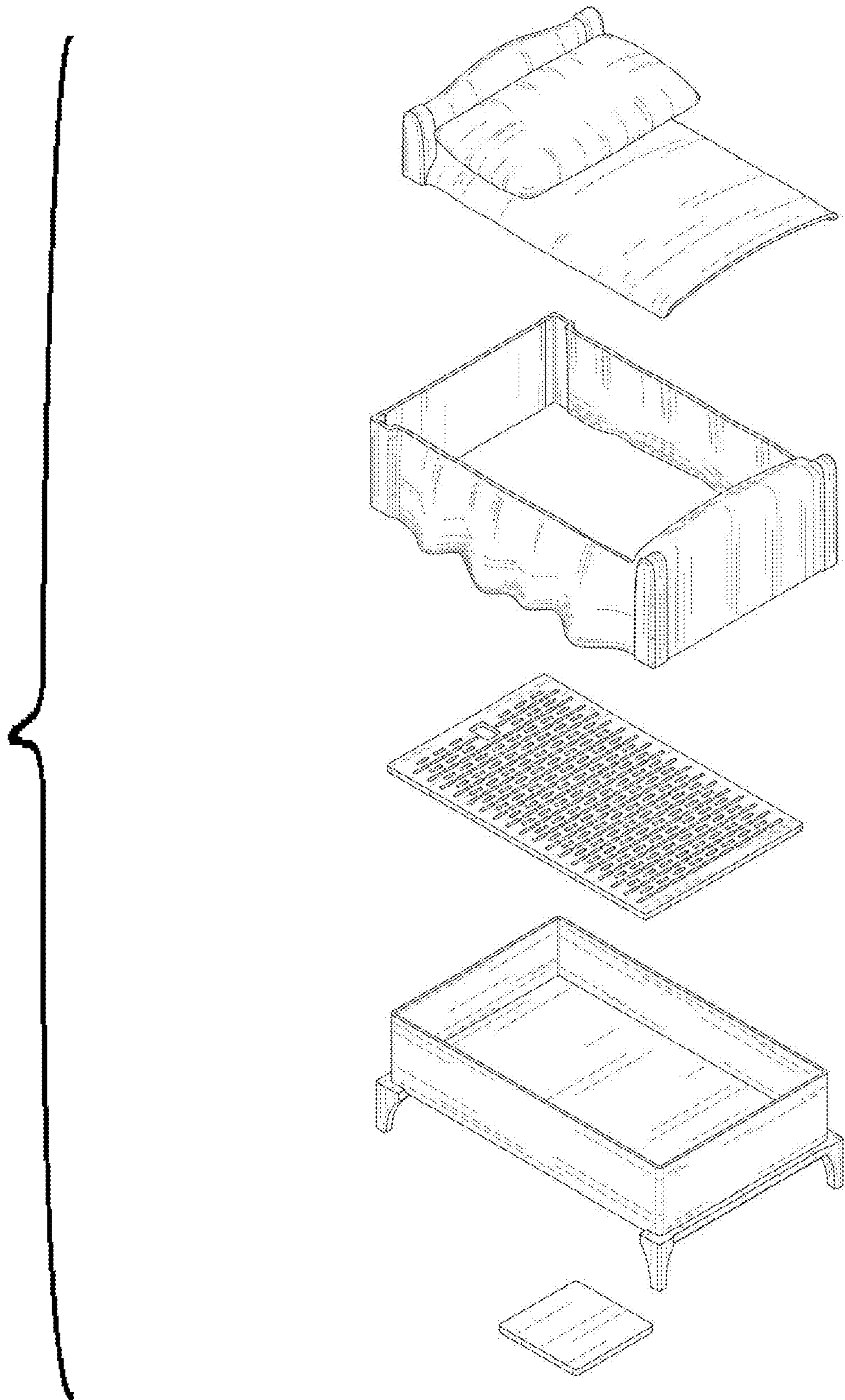


FIG. 3

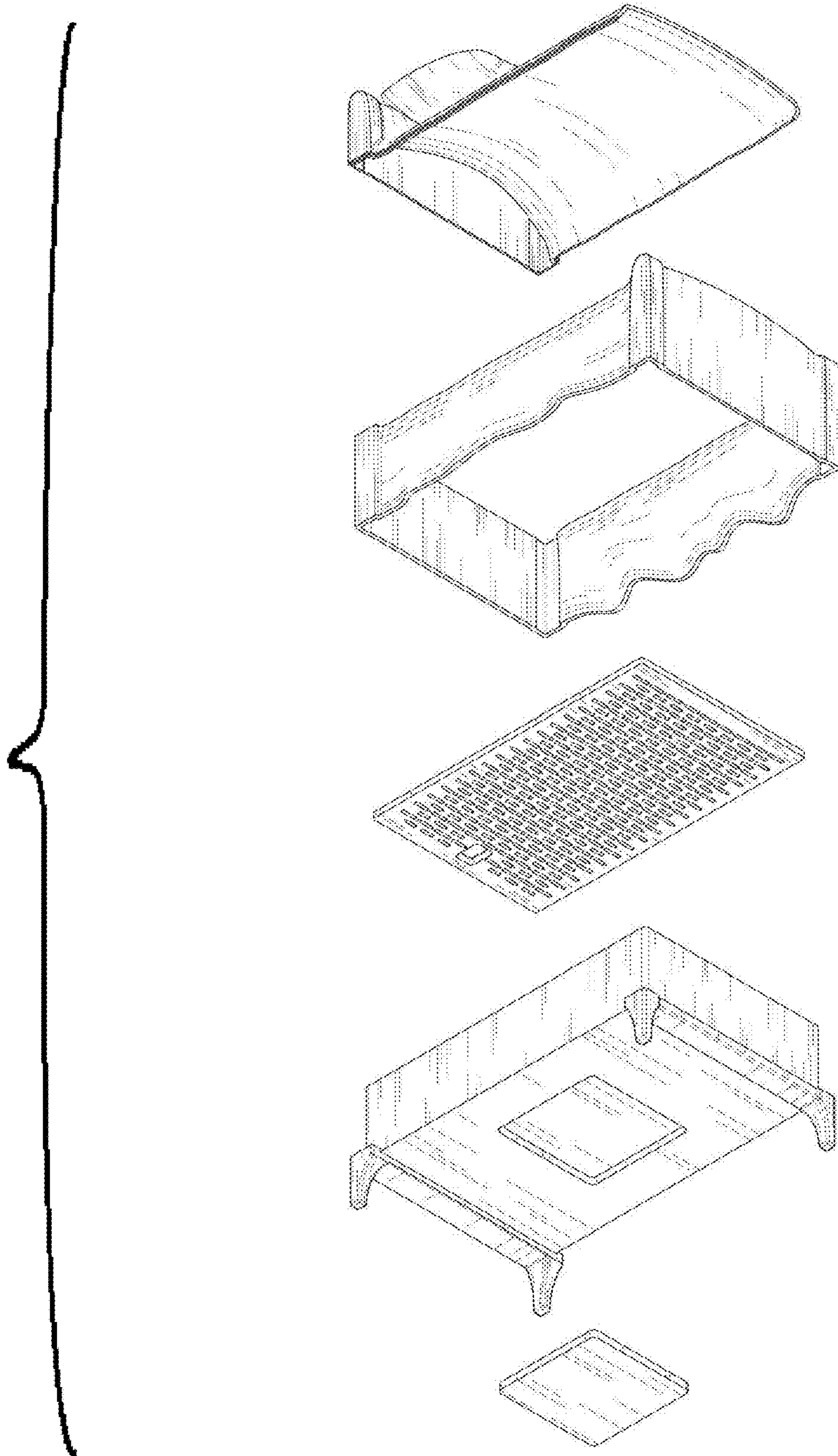


FIG. 4

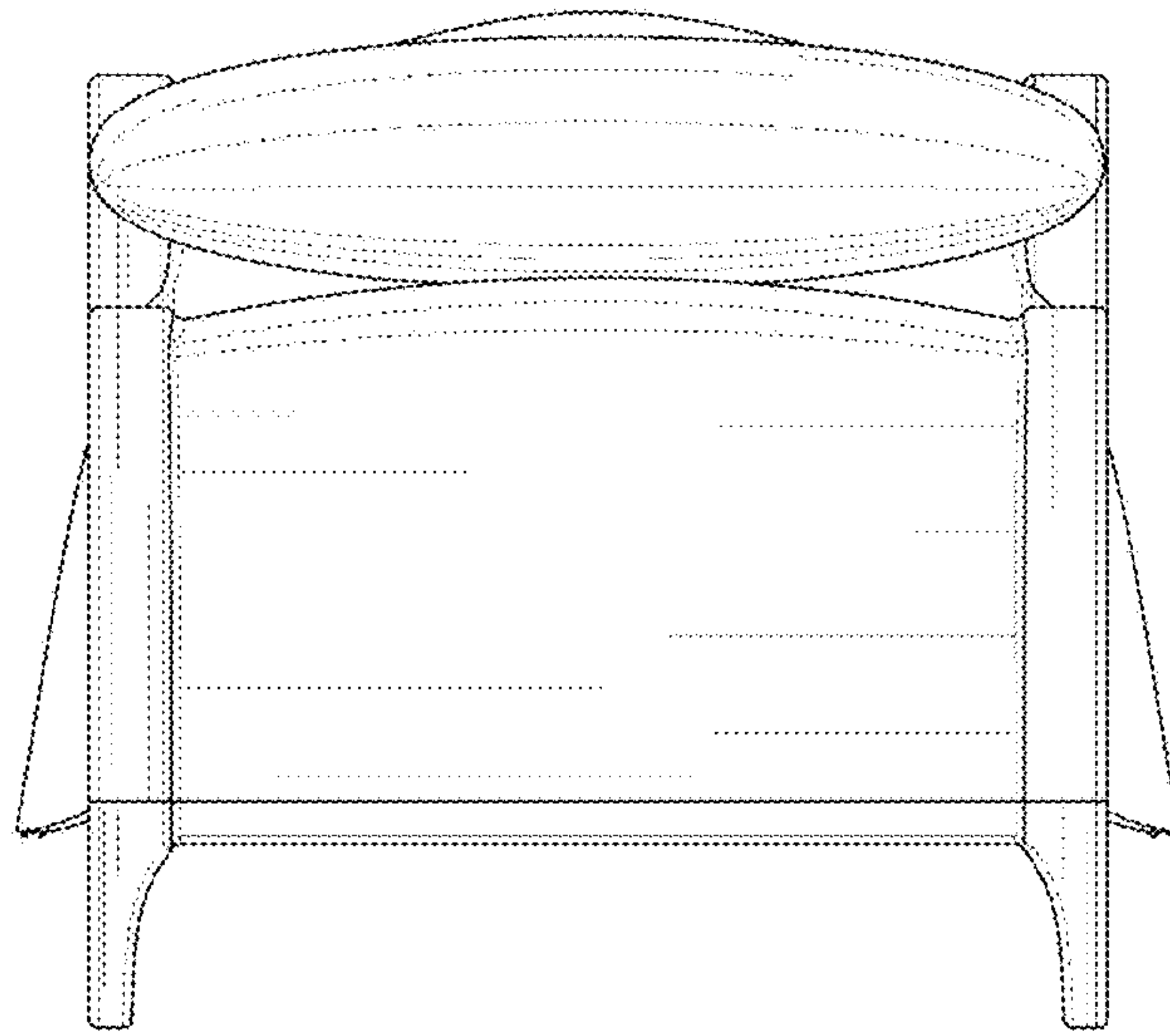


FIG. 5

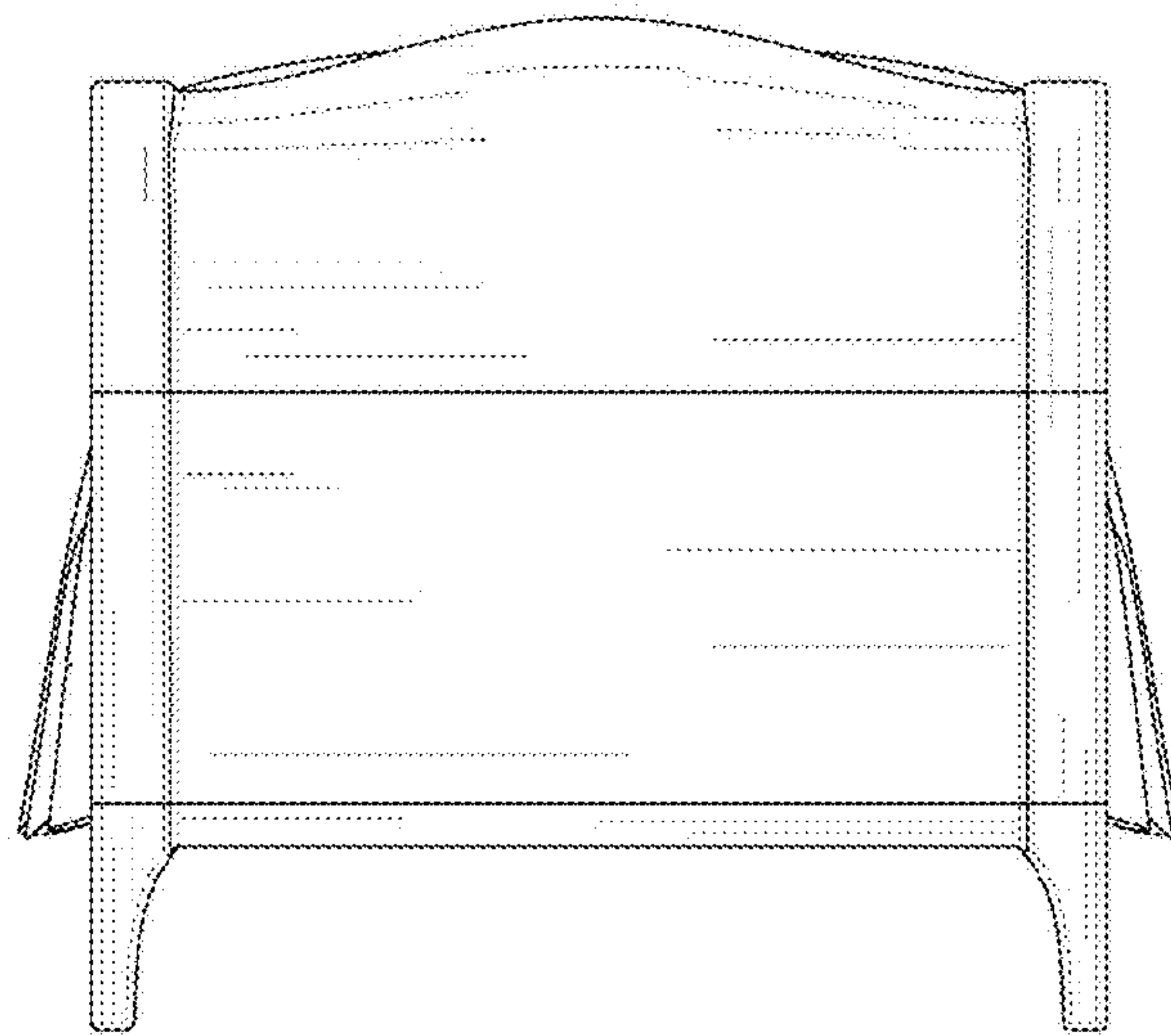


FIG. 6

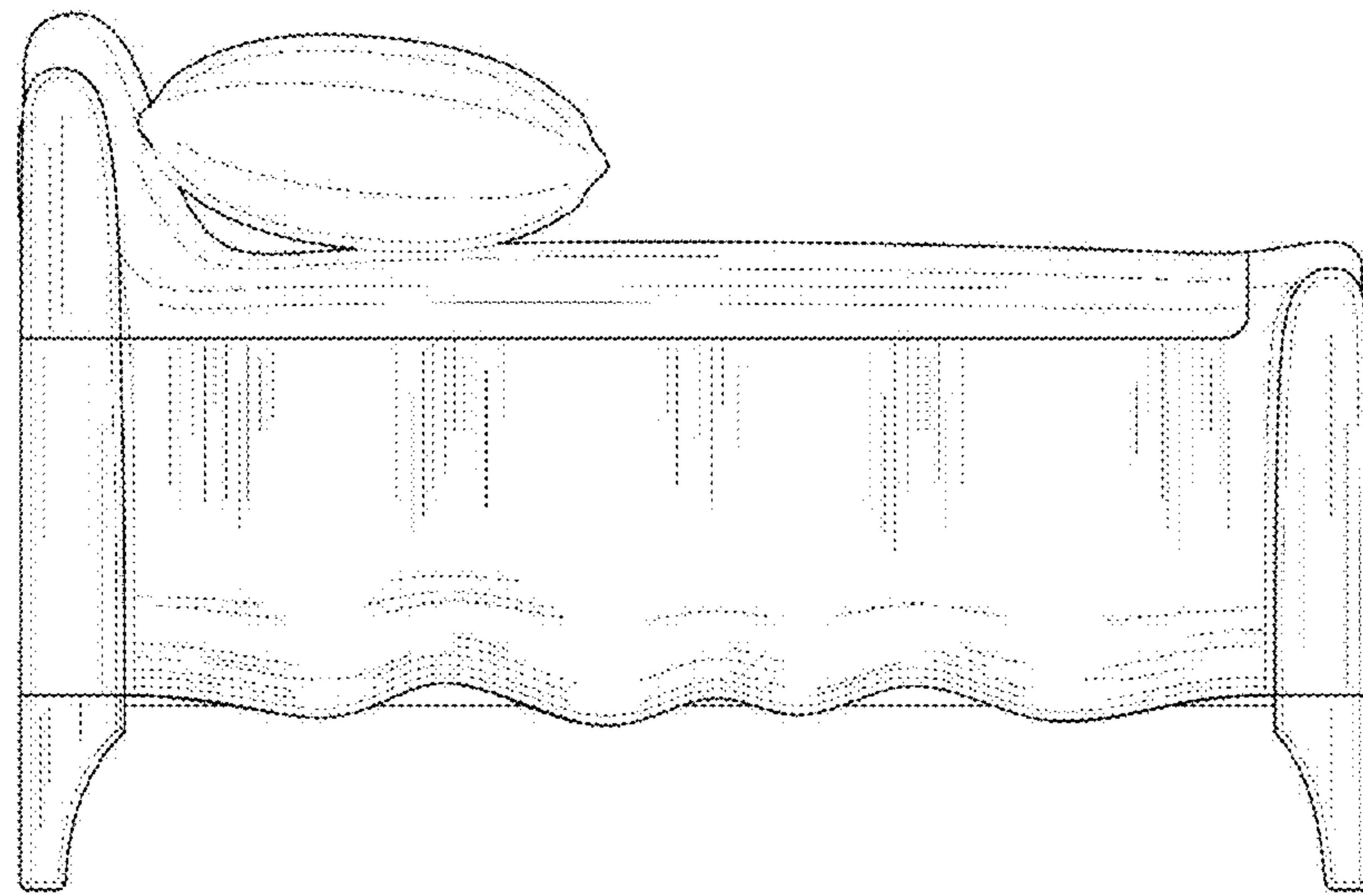


FIG. 7

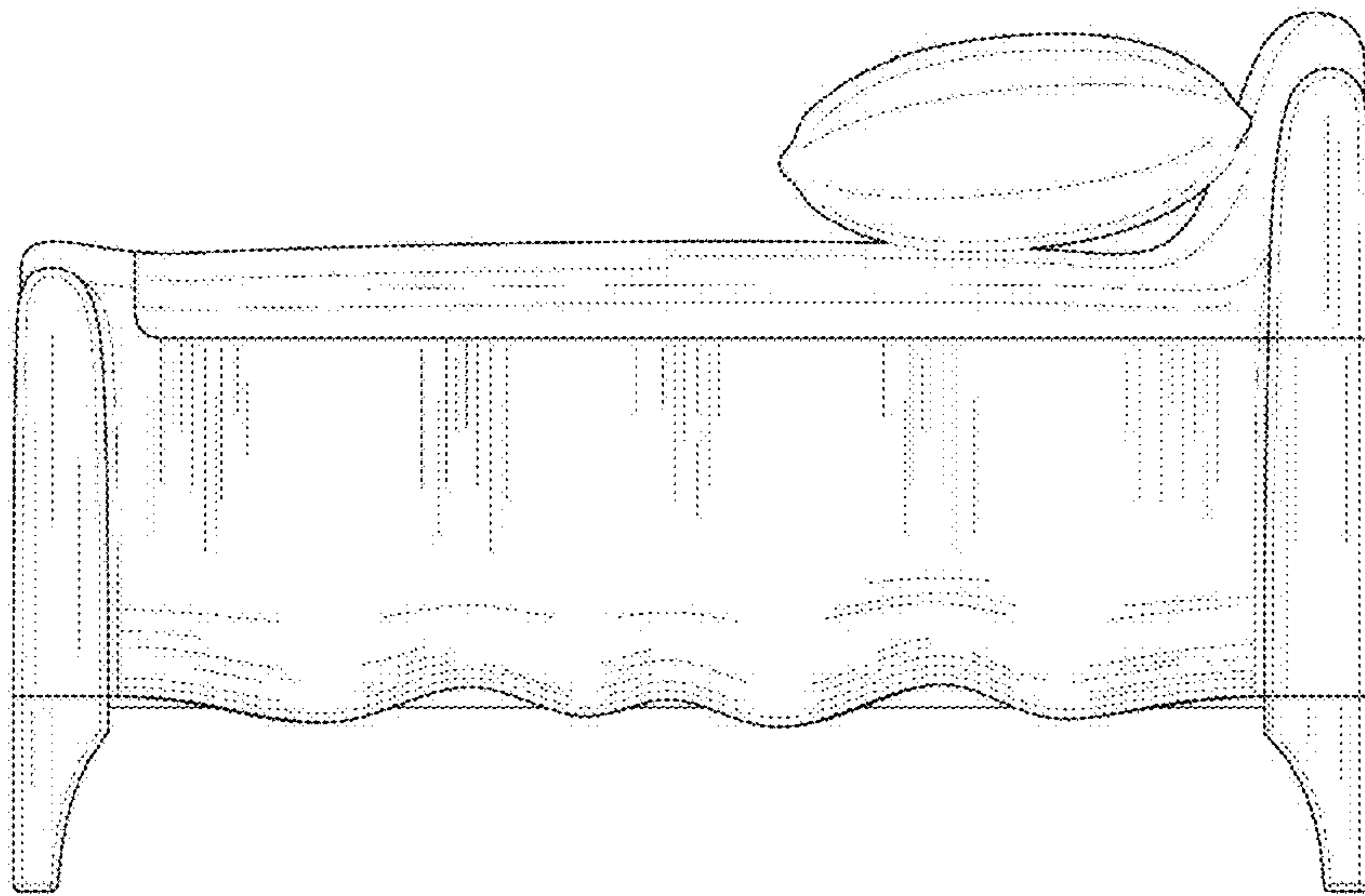


FIG. 8

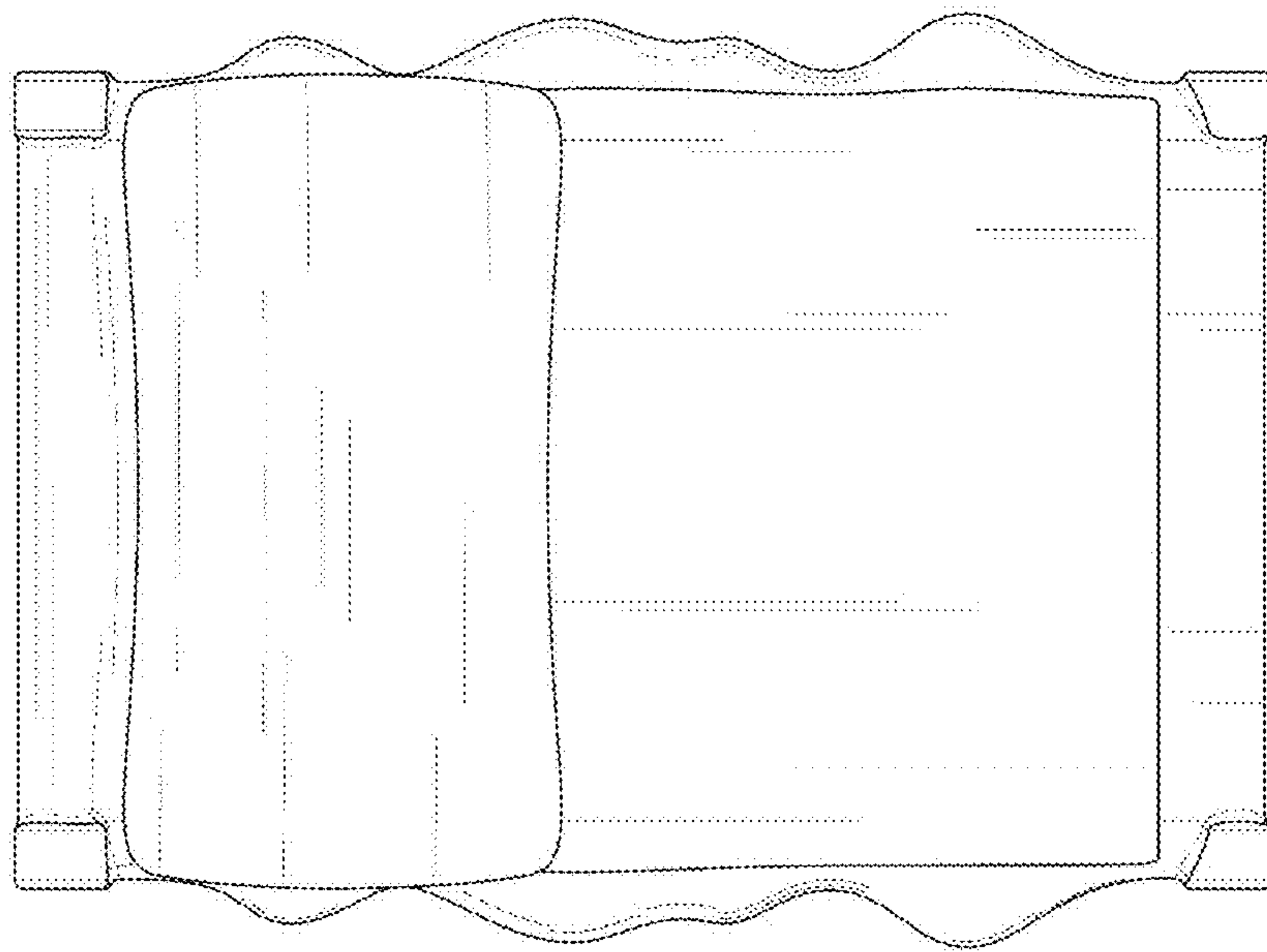


FIG. 9

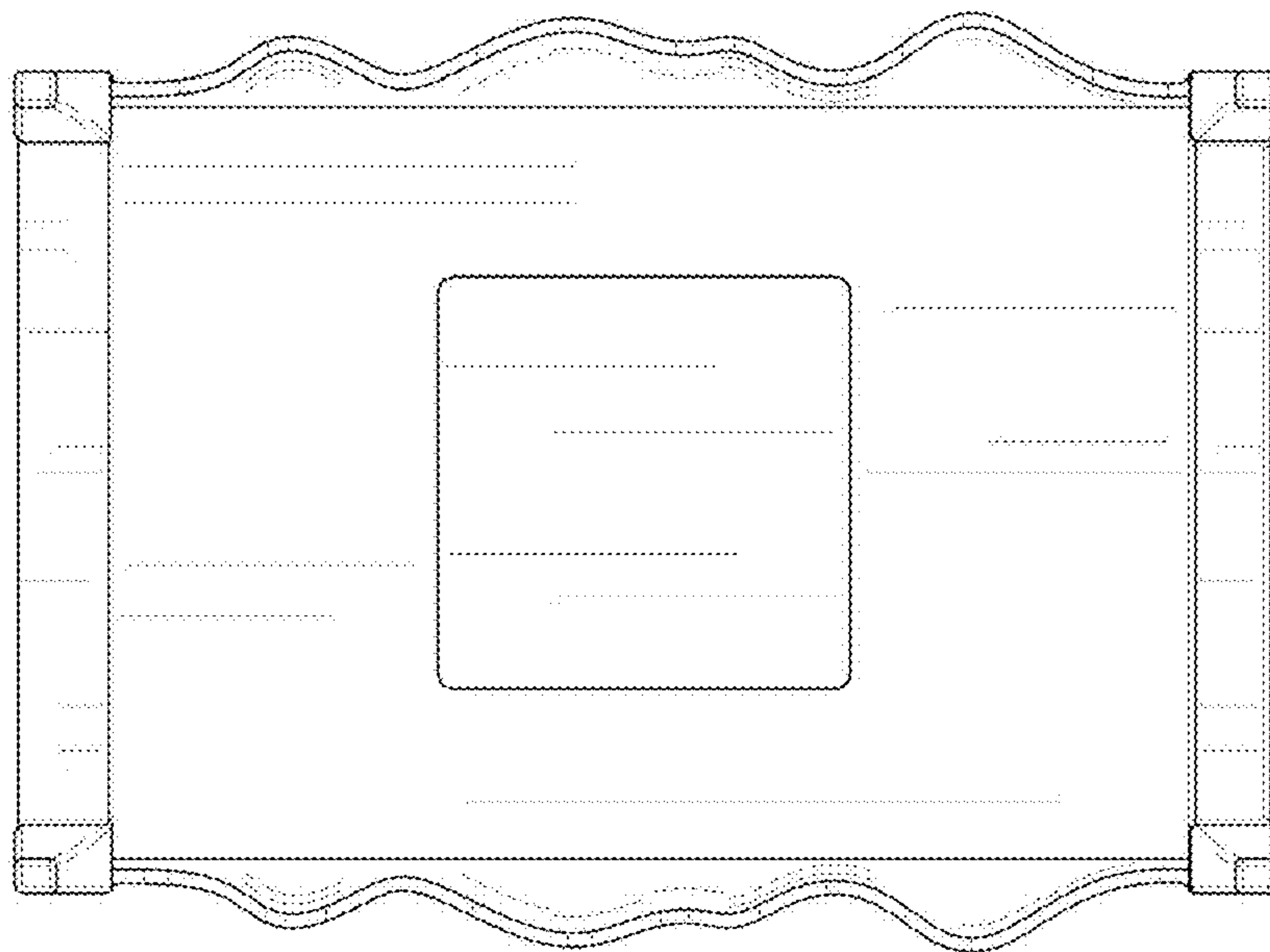


FIG. 10