



US00D841479S

(12) **United States Design Patent**
Postiglione et al.

(10) **Patent No.:** **US D841,479 S**

(45) **Date of Patent:** **** Feb. 26, 2019**

(54) **LARGE SPRAY BOTTLE AND CAP
COMBINED**

B05B 11/3059; A47K 5/12; A47K
5/1201; A47K 5/1211

See application file for complete search history.

(71) Applicant: **Perkin & Perkin LLC**, New York, NY
(US)

(56) **References Cited**

U.S. PATENT DOCUMENTS

D133,483 S * 8/1942 O'Neil D7/301
D205,732 S * 9/1966 Gould D9/526

(Continued)

Primary Examiner — Catherine A Tuttle

(72) Inventors: **Jessica Postiglione**, New York, NY
(US); **Jonathan Assaraf**, Sparta, NJ
(US)

(74) *Attorney, Agent, or Firm* — Parker Ibrahim & Berg
LLP; Kenneth J. Heywood; Stephen D. LeBarron

(73) Assignee: **Perkin & Perkin LLC**, New York, NY
(US)

(**) Term: **15 Years**

(57) **CLAIM**

(21) Appl. No.: **29/632,622**

The ornamental design for a large spray bottle and cap
combined, as shown and described.

(22) Filed: **Jan. 9, 2018**

(51) **LOC (11) Cl.** **09-01**

DESCRIPTION

(52) **U.S. Cl.**

USPC **D9/602**; D9/686; D9/689

(58) **Field of Classification Search**

USPC D9/682–694, 600–604, 643, 719,
D9/723–728, 738, 741, 504, 516, 517,
D9/519, 521, 522, 526, 529, 530, 540,
D9/549–558, 434–436, 448;
D21/606–609; D28/76, 77, 80, 91.1;
D24/115, 117

CPC B65D 1/0223; B65D 1/40; B65D 23/102;
B65D 83/14; B65D 83/20; B65D 83/201;
B65D 83/202; B65D 83/205; B65D
83/206; B65D 83/207; B65D 83/38;
B65D 83/384; B65D 83/40; B05B
11/001; B05B 11/0008; B05B 11/0037;
B05B 11/0054; B05B 11/0056; B05B
11/0097; B05B 11/3012; B05B 11/3014;
B05B 11/3043; B05B 11/3045; B05B
11/3046; B05B 11/3047; B05B 11/3052;

FIG. 1 is a rear perspective view of a large spray bottle and
cap combined showing our the new design;

FIG. 2 is a front view thereof;

FIG. 3 is a rear view thereof;

FIG. 4 is a side view thereof;

FIG. 5 is a top view thereof; and

FIG. 6 is a bottom view thereof.

FIG. 7 is a front perspective view of the cap element thereof,
shown separately for clarity and completeness of disclosure;

FIG. 8 is a front view thereof;

FIG. 9 is a rear view thereof;

FIG. 10 is a side view thereof;

FIG. 11 is a top view thereof; and

FIG. 12 is a bottom view thereof.

FIG. 13 is a front perspective view of the large spray bottle
with the cap removed to disclose the underlying parts;

FIG. 14 is a front view thereof;

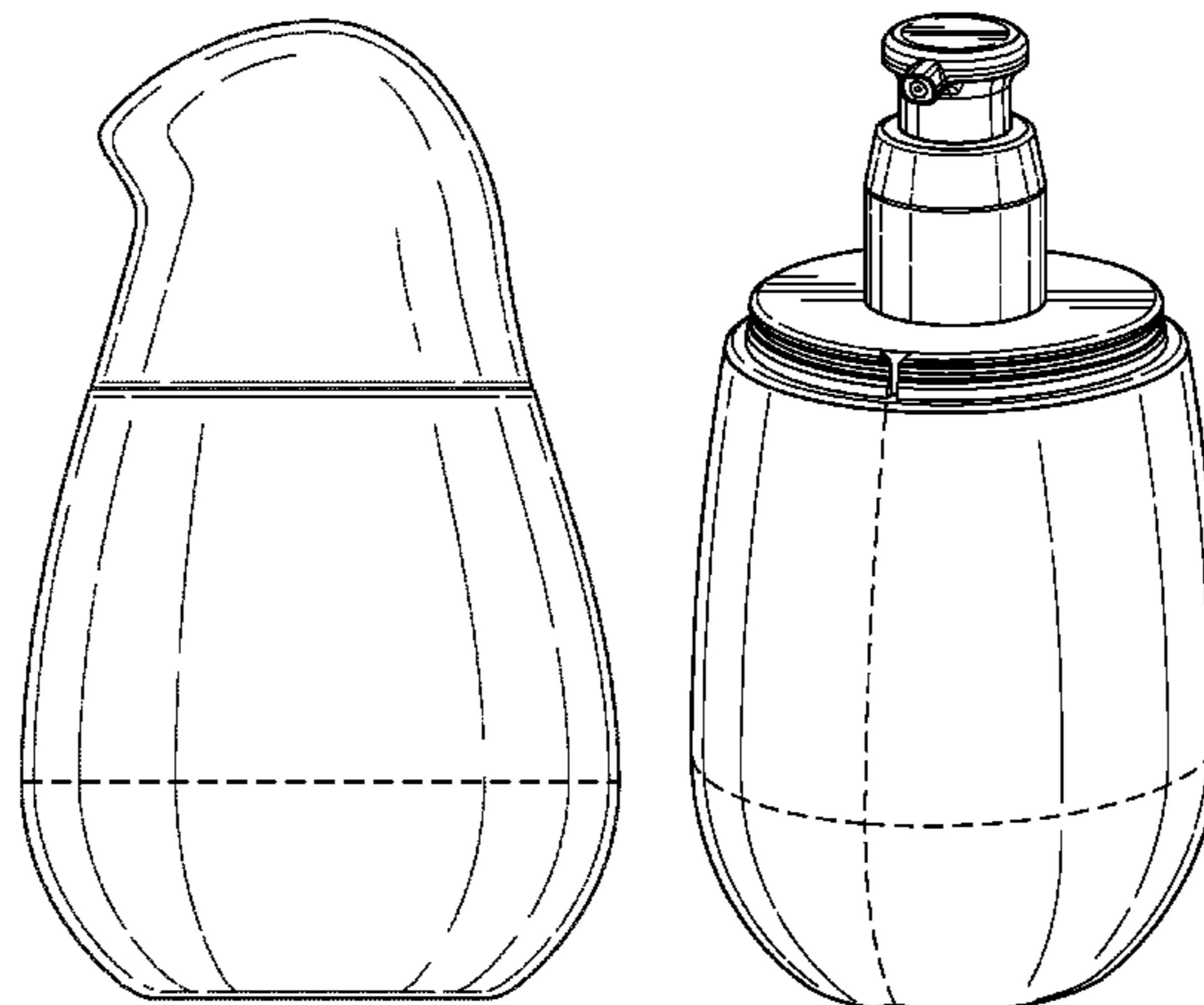
FIG. 15 is a rear view thereof;

FIG. 16 is a side view thereof;

FIG. 17 is a top view thereof; and,

FIG. 18 is a bottom view thereof.

(Continued)



The broken lines are included for the purpose of illustrating features of the large spray bottle that form no part of the claimed design.

1 Claim, 12 Drawing Sheets

(56)

References Cited

U.S. PATENT DOCUMENTS

D230,954 S * 3/1974 Gregoriotti D9/504
 D300,441 S * 3/1989 Ryland D21/609
 D316,222 S * 4/1991 van der Heijden D9/602
 D383,972 S * 9/1997 Weiss D9/521
 D392,558 S * 3/1998 Monaghan D9/682
 D406,053 S * 2/1999 Ying D9/603
 D425,785 S * 5/2000 Hirato D9/504
 D456,261 S * 4/2002 Gobe D9/448
 D463,743 S * 10/2002 de Mourgues D9/448
 D465,149 S * 11/2002 Bennett D9/691
 D482,972 S * 12/2003 Young D9/516
 D503,018 S * 3/2005 Shih D21/597
 D516,436 S * 3/2006 Campbell D9/682

D519,376 S * 4/2006 Ames D7/615
 D539,146 S * 3/2007 Schroeder D9/500
 D567,666 S * 4/2008 Hessmer D9/686
 D596,950 S * 7/2009 Nevins D9/503
 D608,578 S * 1/2010 Yang D6/542
 D634,002 S * 3/2011 Laerdal D24/108
 D653,547 S * 2/2012 Canuto D9/519
 D668,552 S * 10/2012 Wisniewski D9/689
 D679,998 S * 4/2013 Kim D9/447
 D694,122 S * 11/2013 Kawai D9/689
 D705,075 S * 5/2014 Zwettler D21/576
 D718,640 S * 12/2014 Cheng D9/691
 D721,283 S * 1/2015 Lawrance D9/689
 D736,095 S * 8/2015 Brochado D9/689
 D739,260 S * 9/2015 Isaacs D9/689
 D747,973 S * 1/2016 Kerr D9/526
 D749,421 S * 2/2016 Nandha D9/529
 D778,170 S * 2/2017 Kim D9/529
 D790,978 S * 7/2017 Konieczny D9/550
 9,913,561 B1 * 3/2018 Rodriguez A47K 5/1201
 2004/0149779 A1 * 8/2004 Boll B05B 11/3057
 2006/0157514 A1 * 7/2006 Muhlhausen B65D 23/12
 2018/0070780 A1 * 3/2018 Rodriguez A47K 5/1201

* cited by examiner

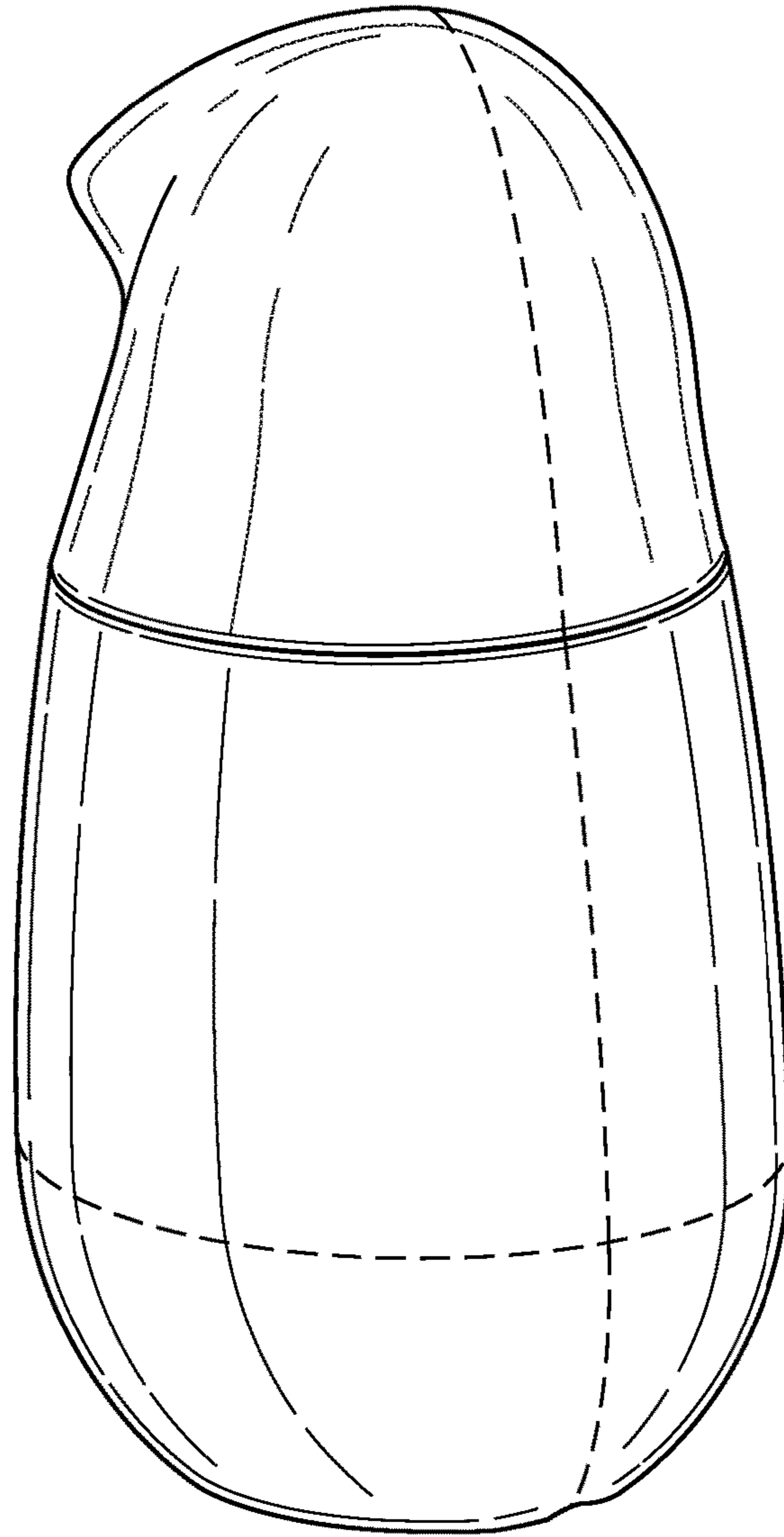


FIG. 1

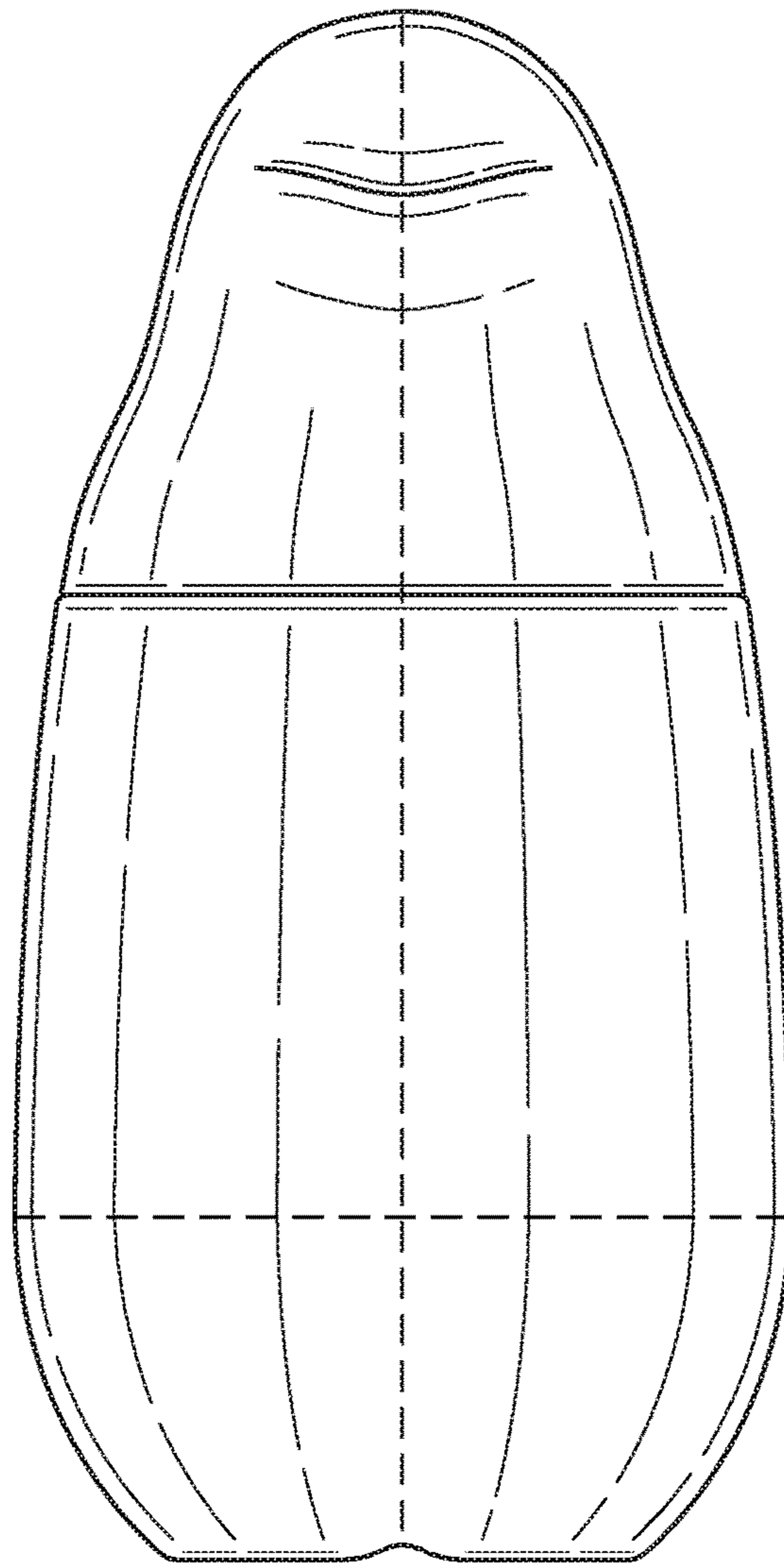


FIG. 2

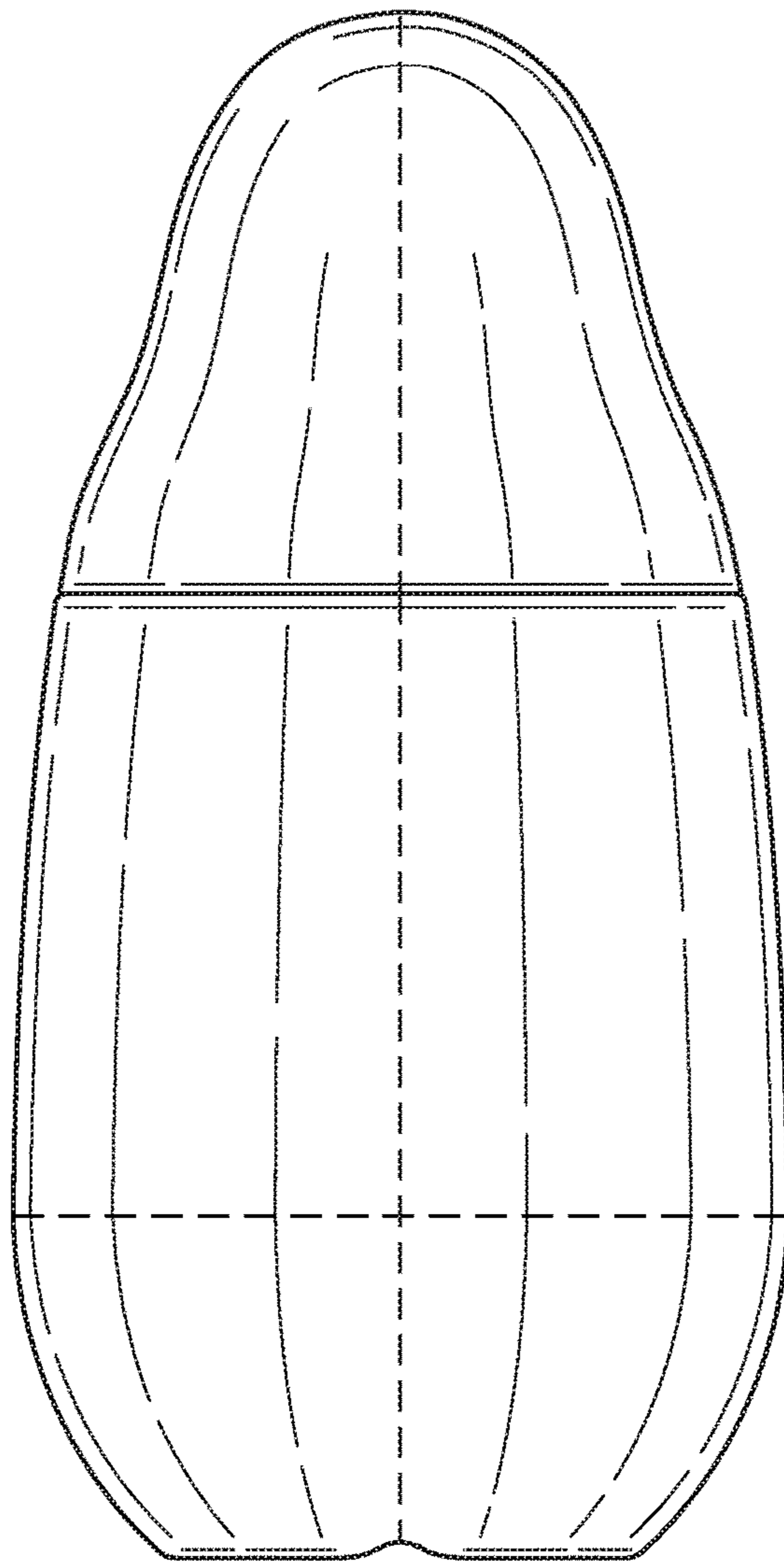


FIG. 3

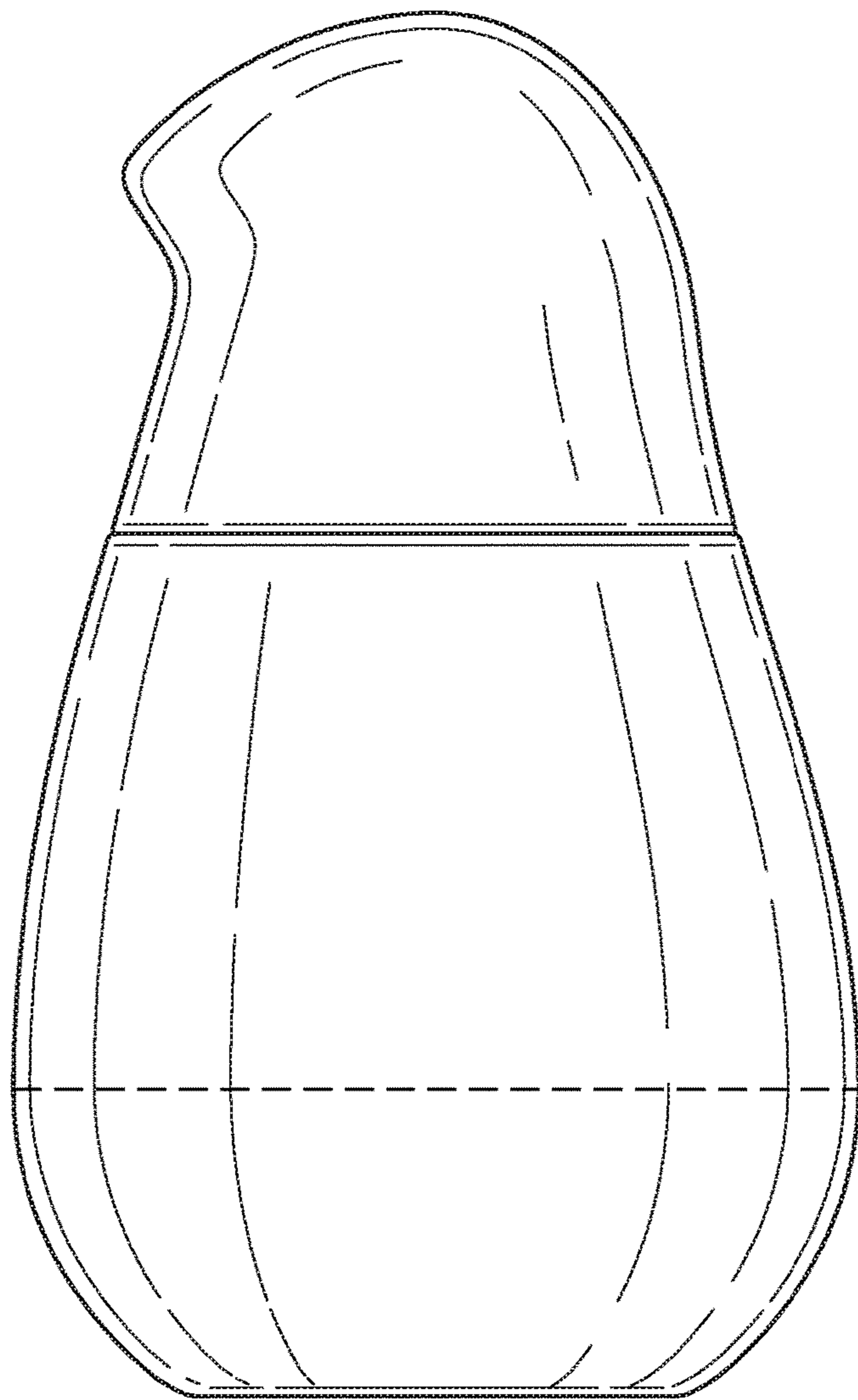


FIG. 4

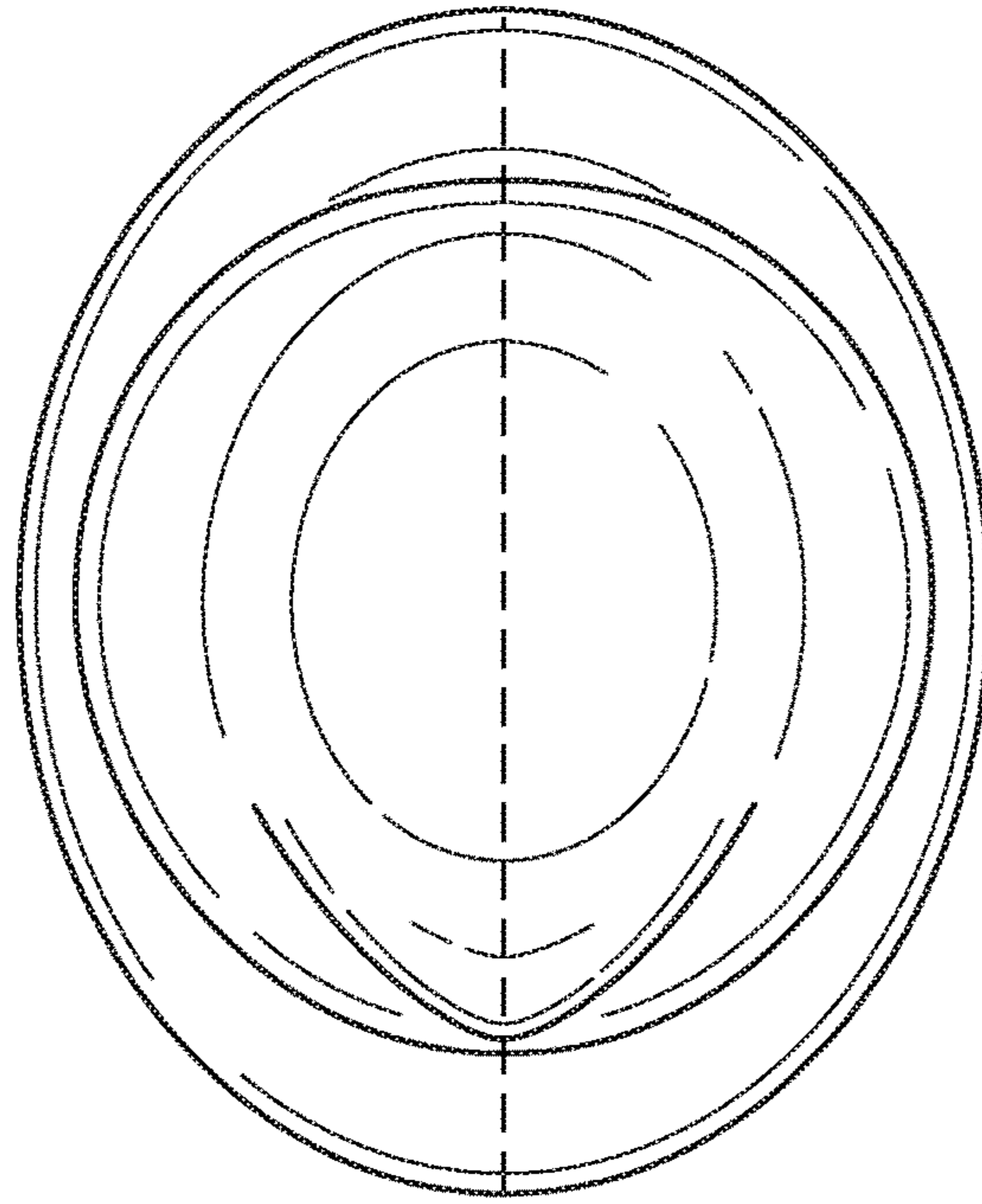


FIG. 5

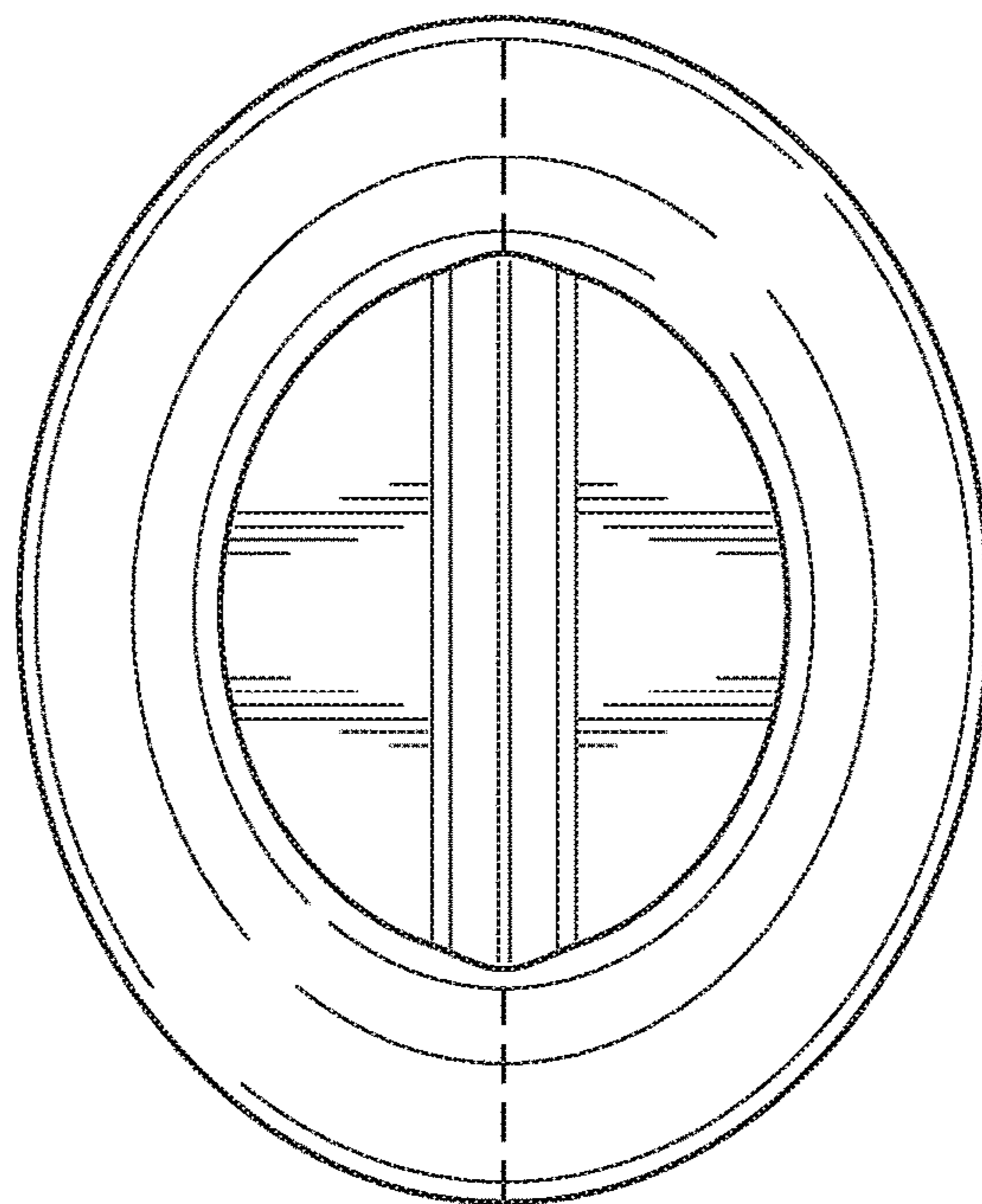


FIG. 6

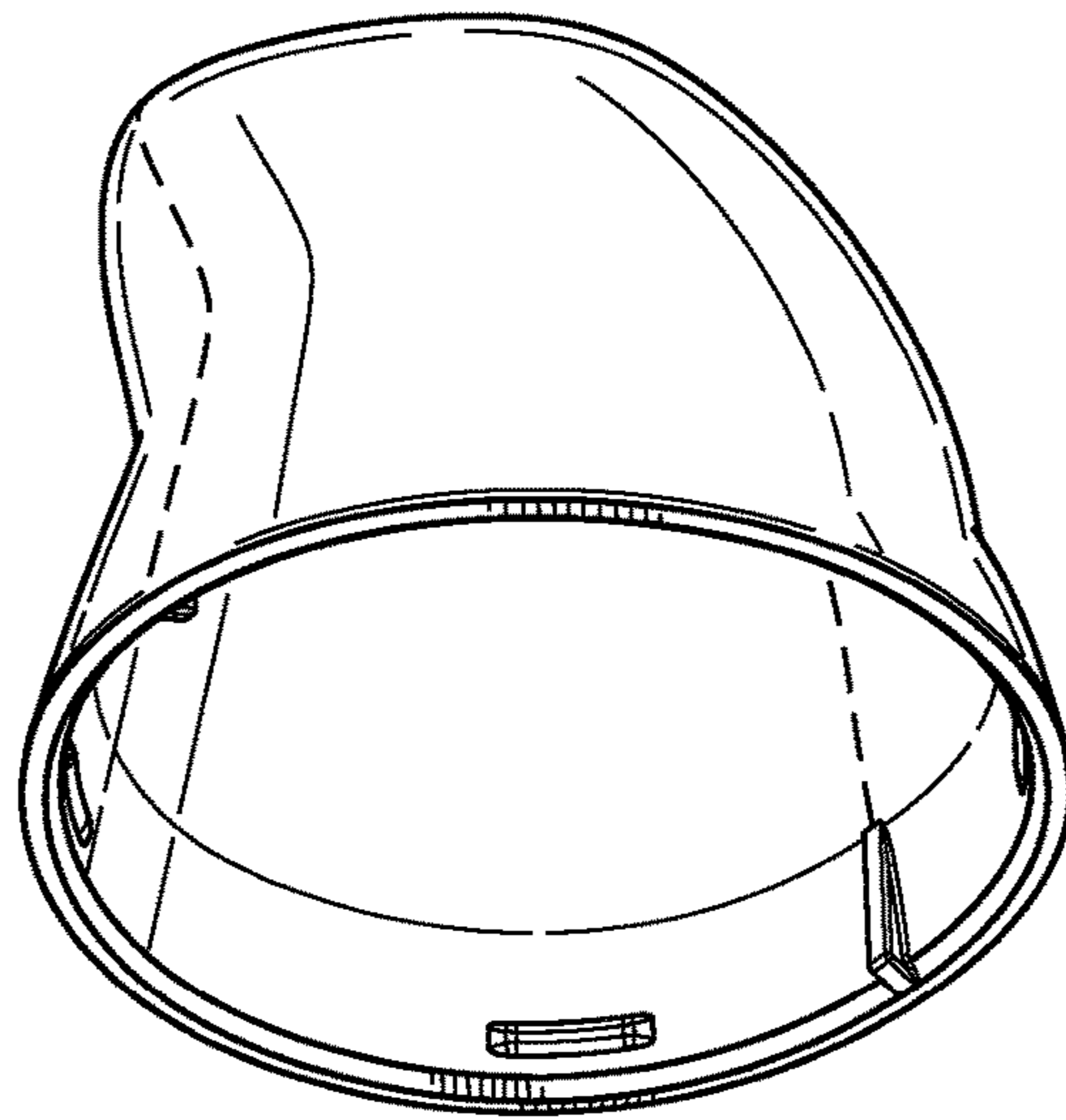


FIG. 7

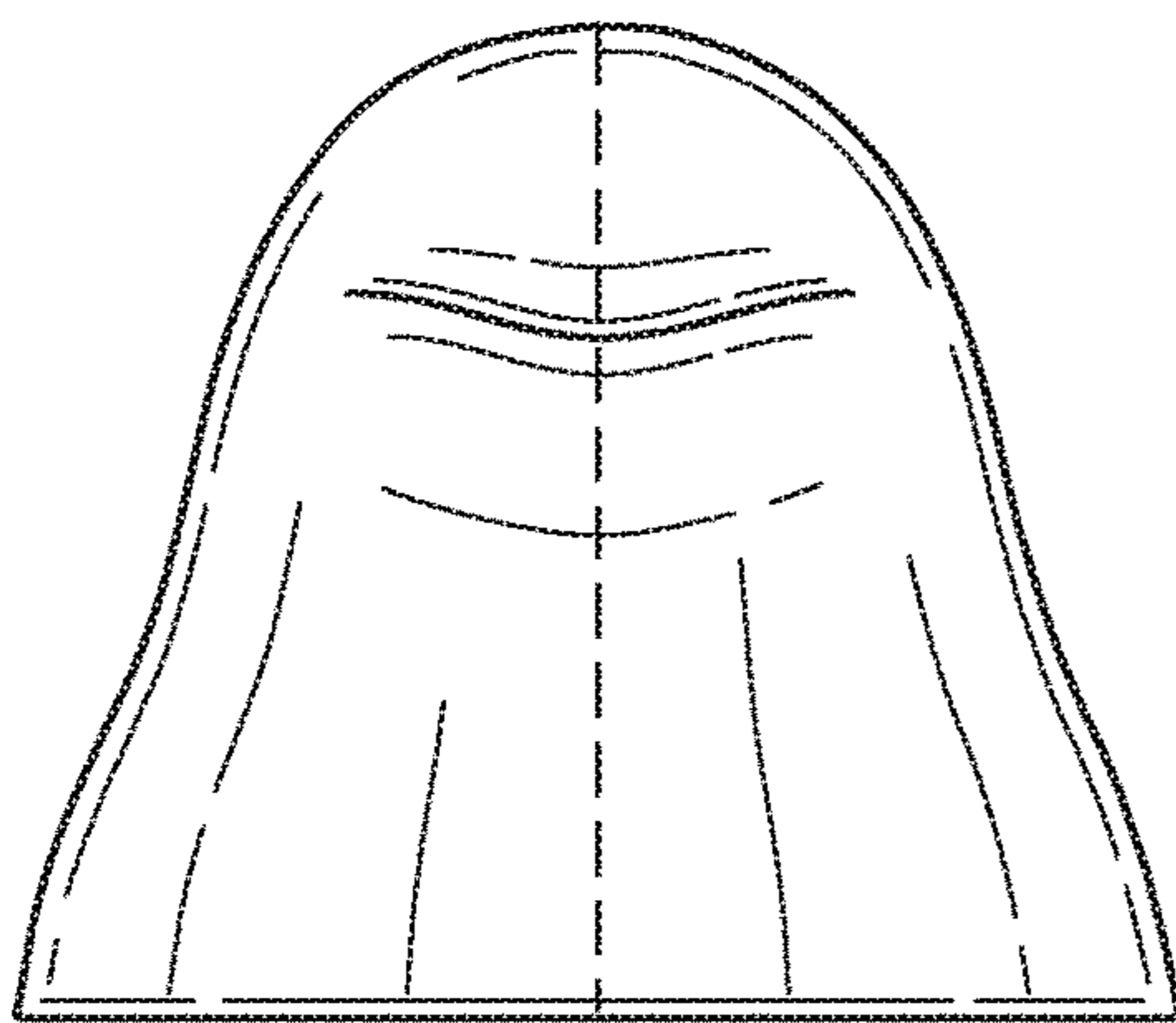


FIG. 8

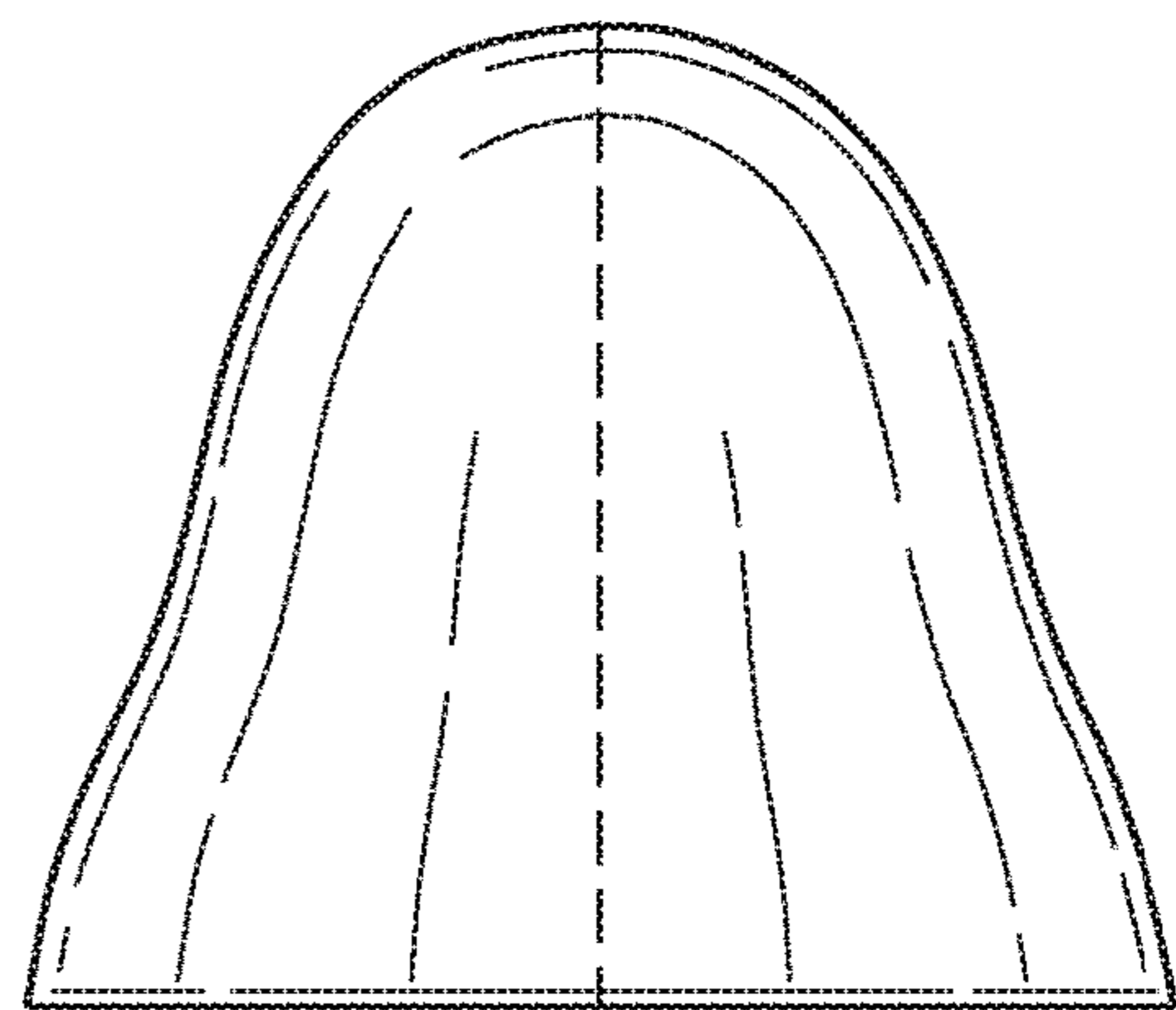


FIG. 9

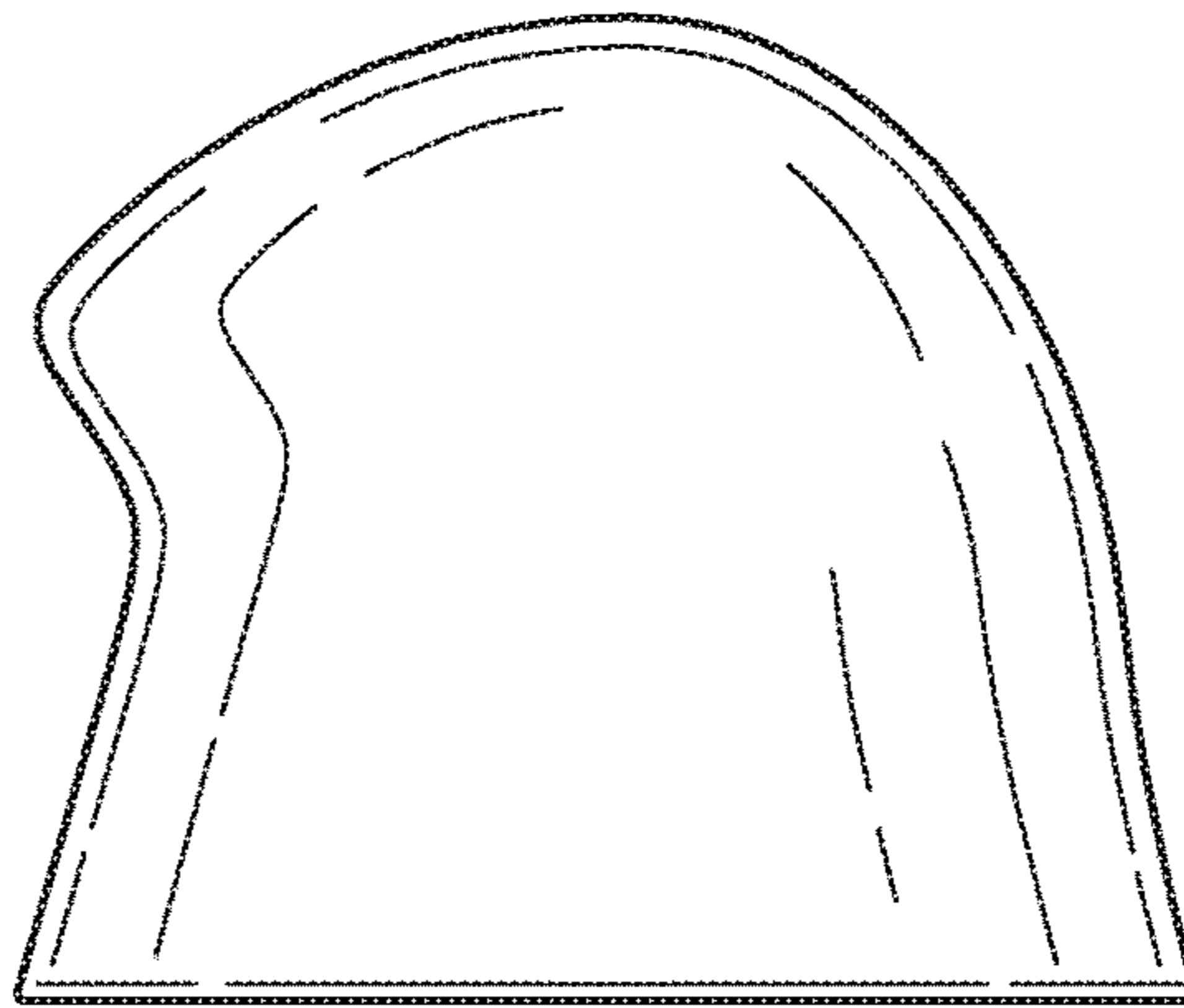


FIG. 10

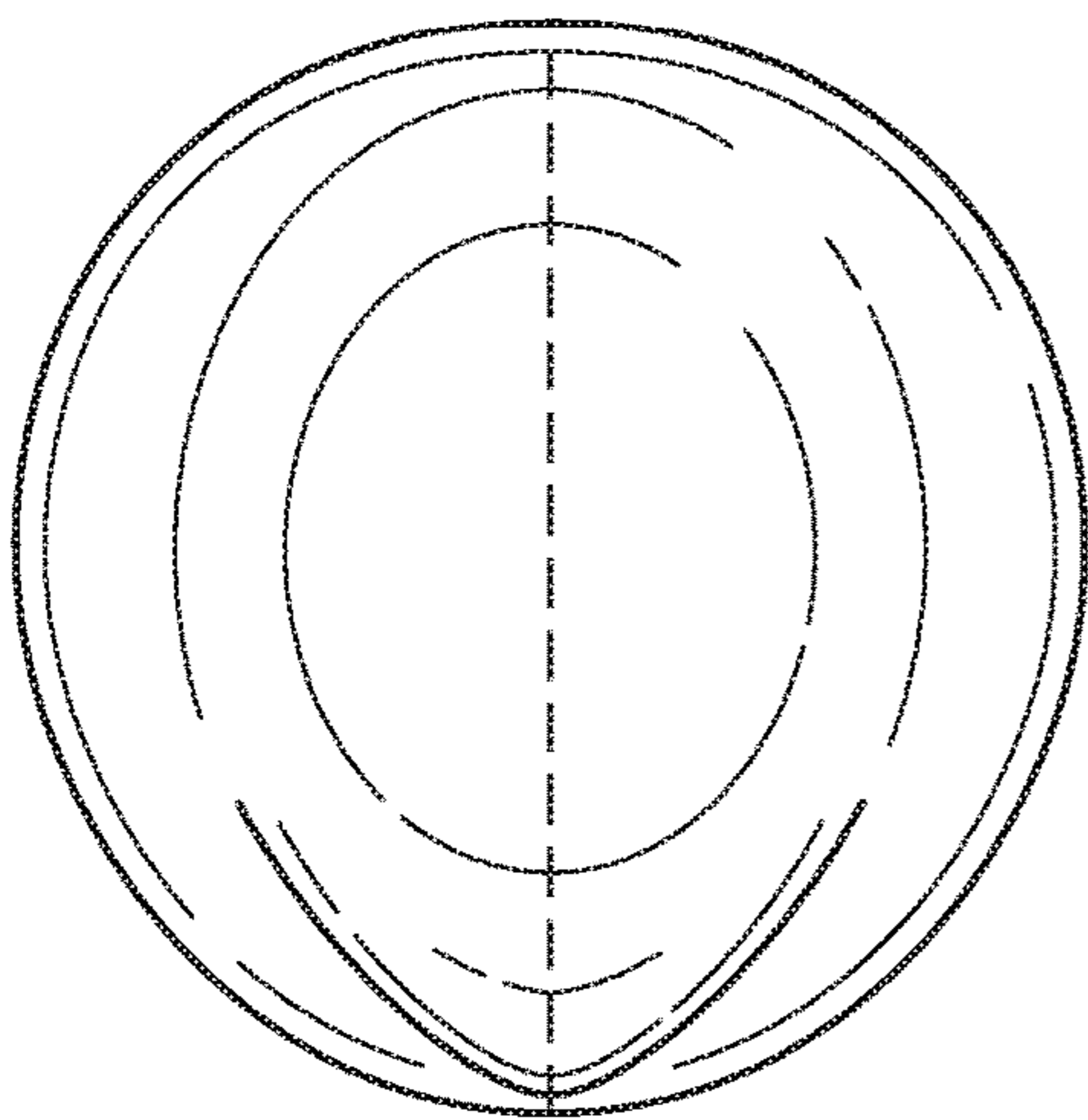


FIG. 11

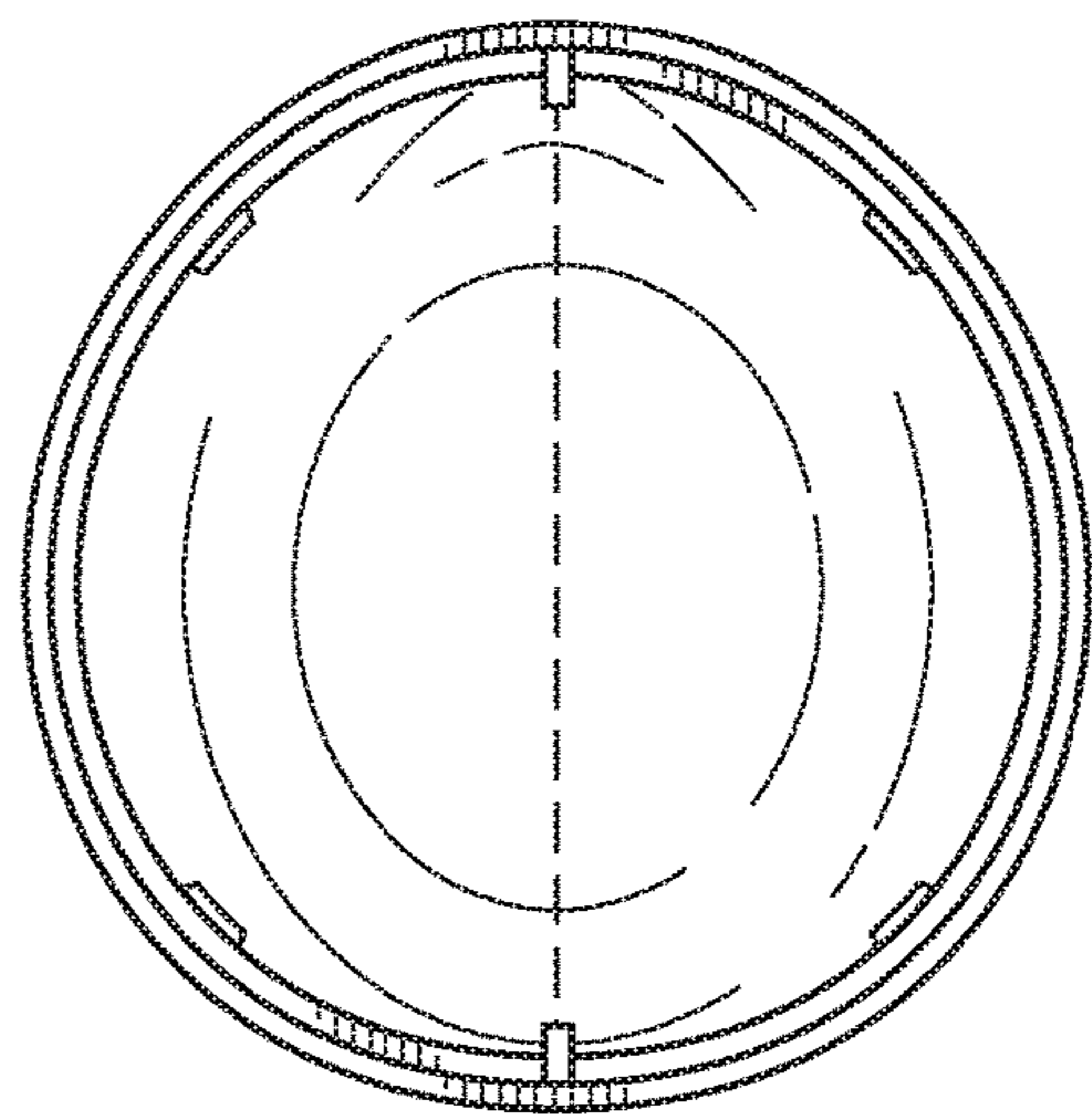


FIG. 12

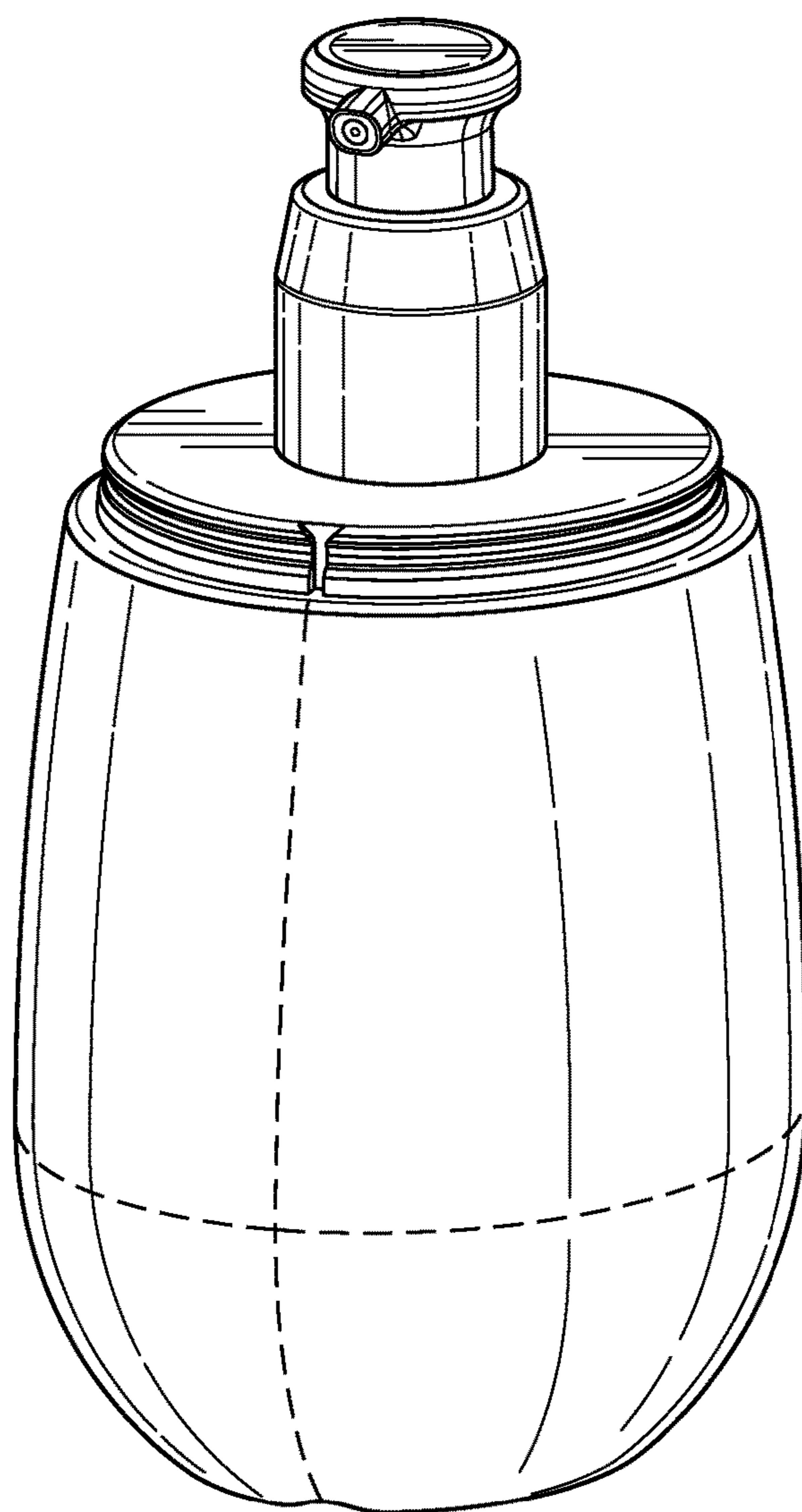


FIG. 13

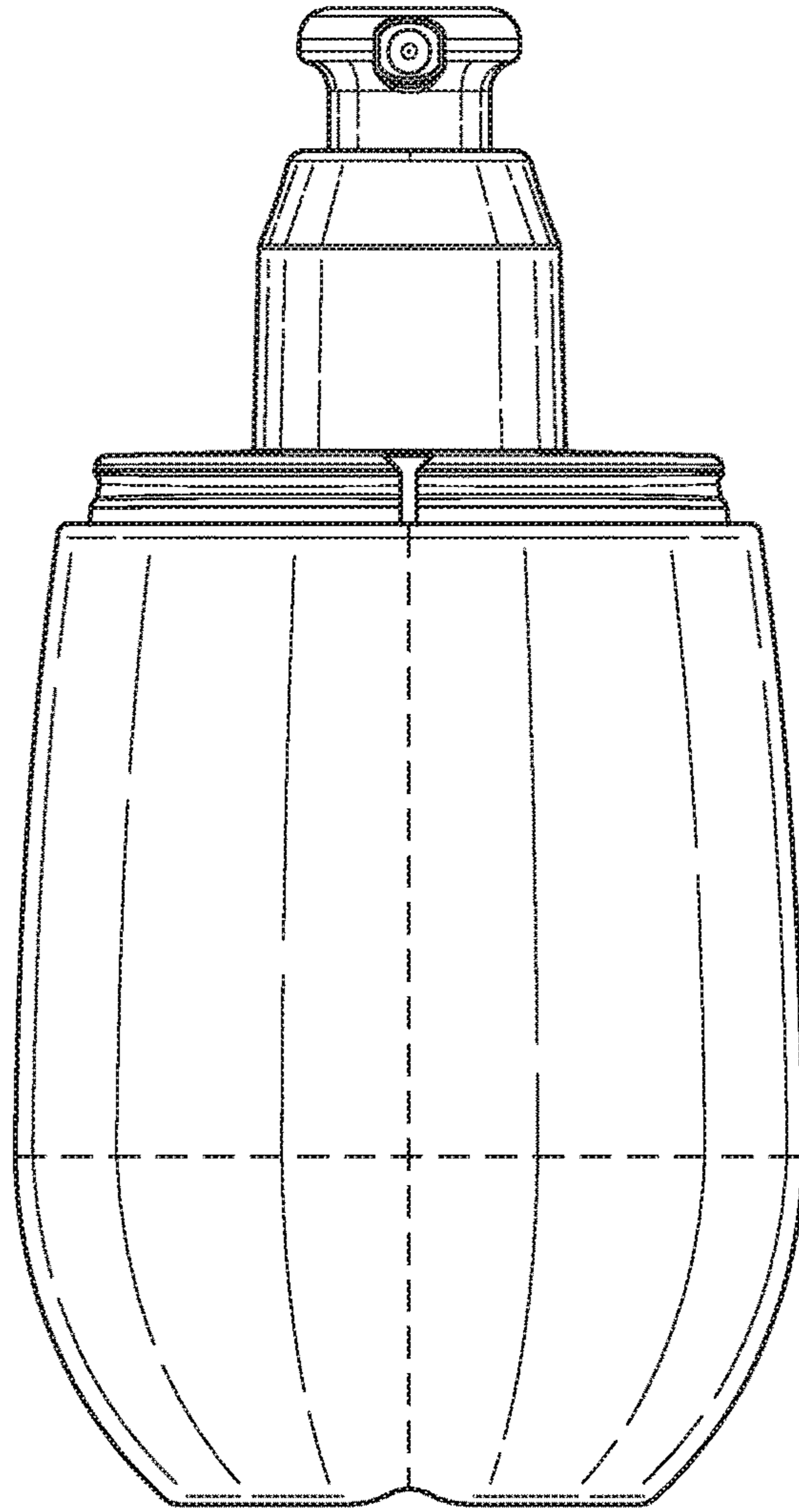


FIG. 14

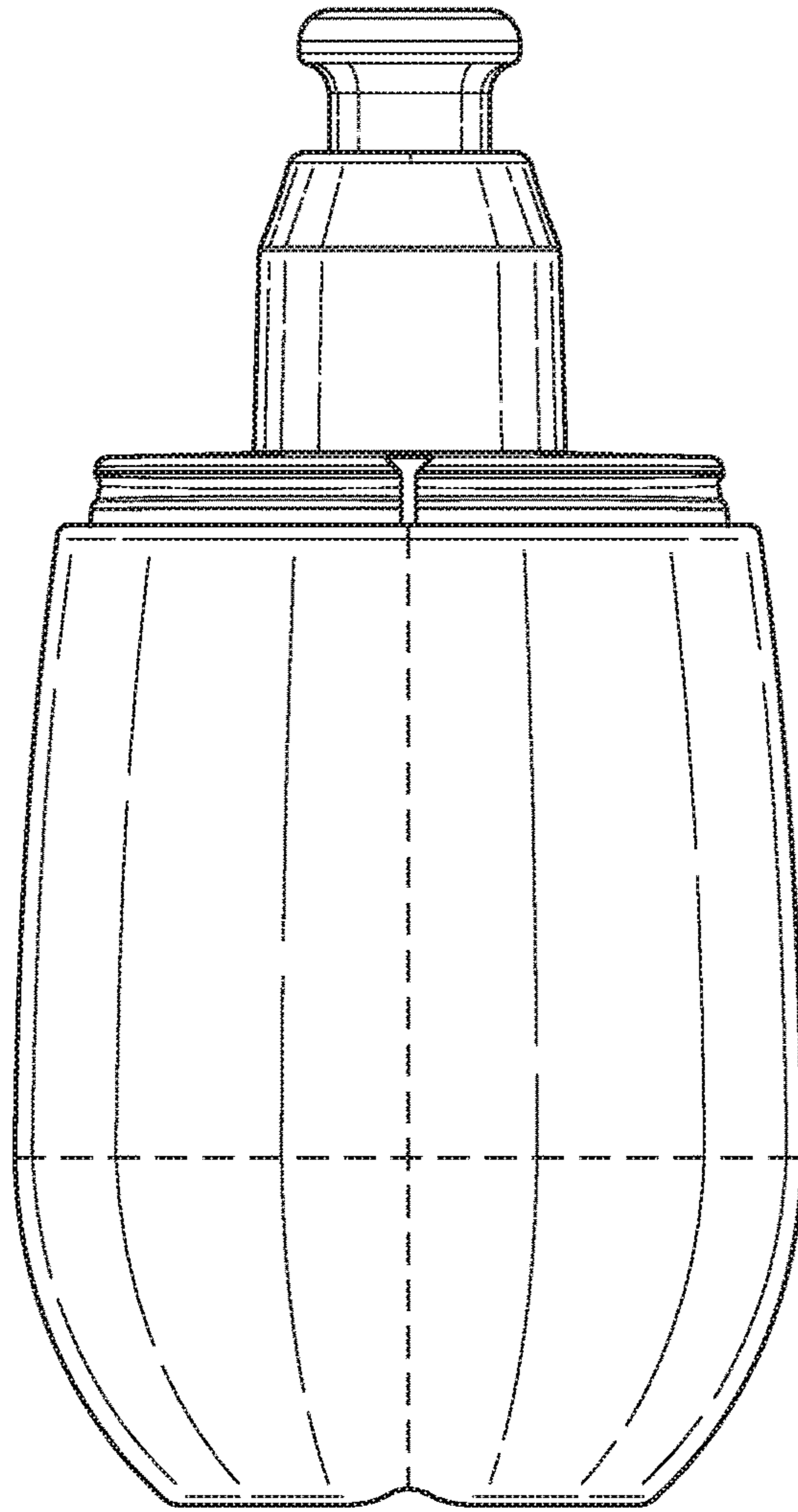


FIG. 15

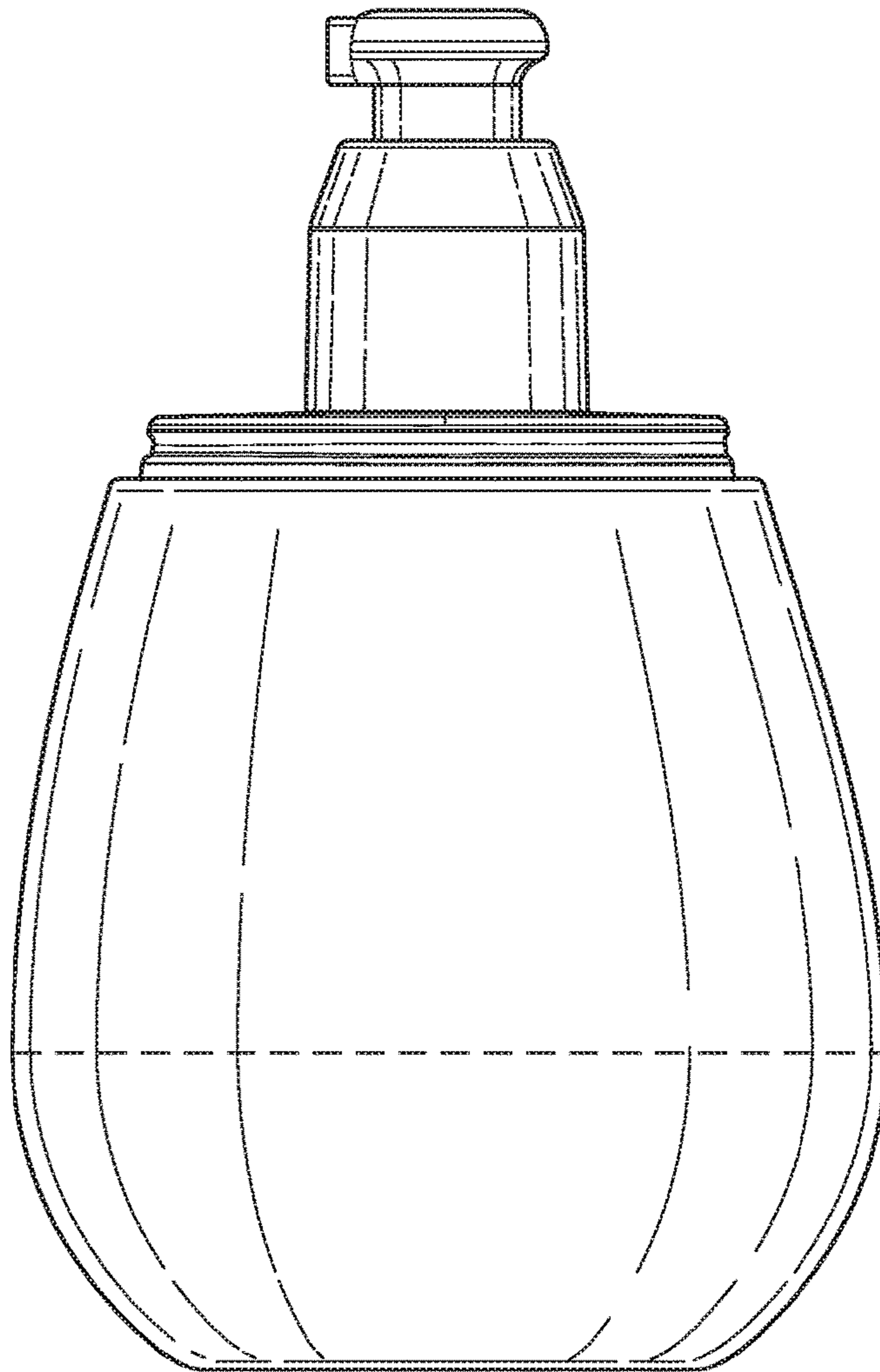


FIG. 16

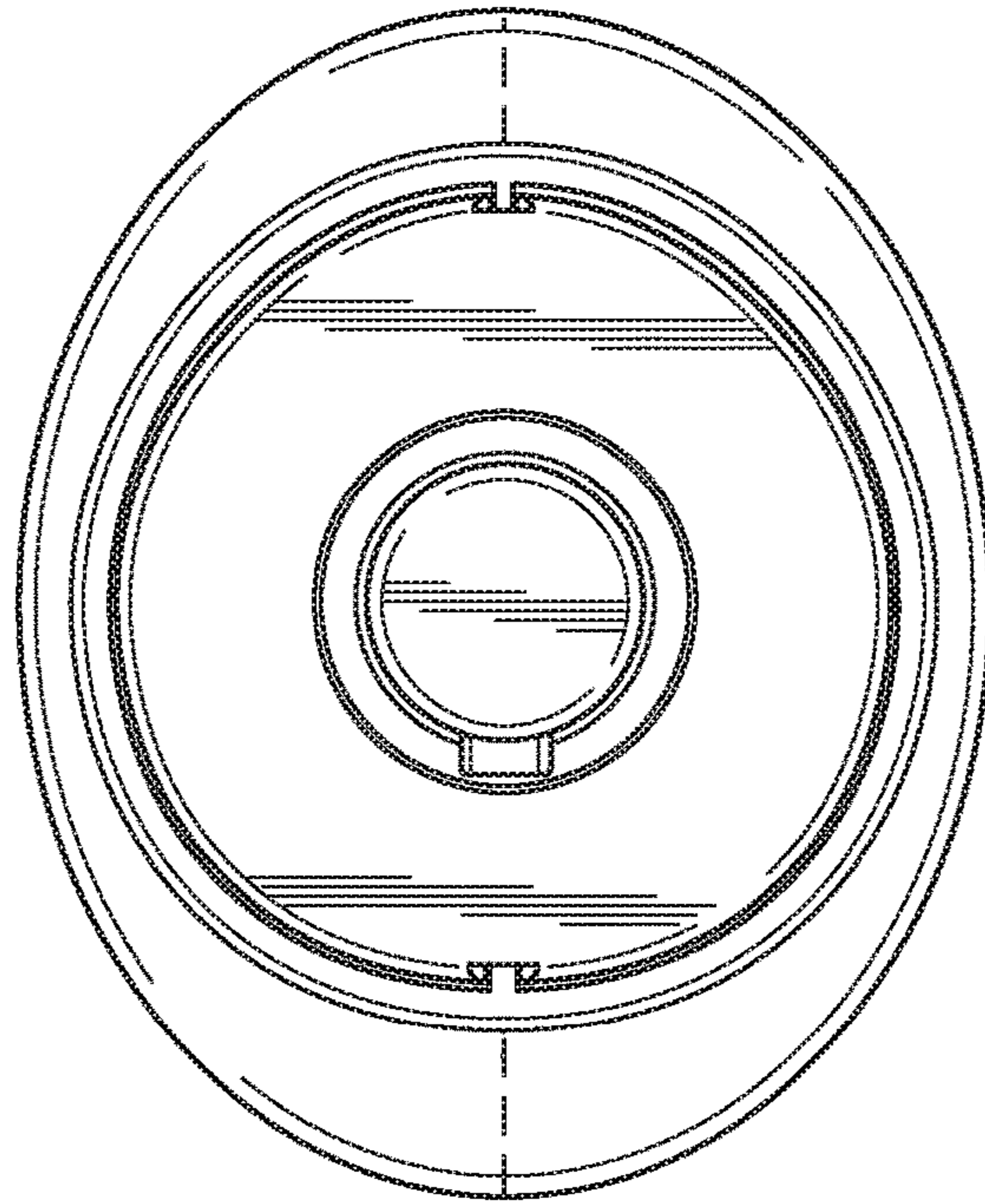


FIG. 17

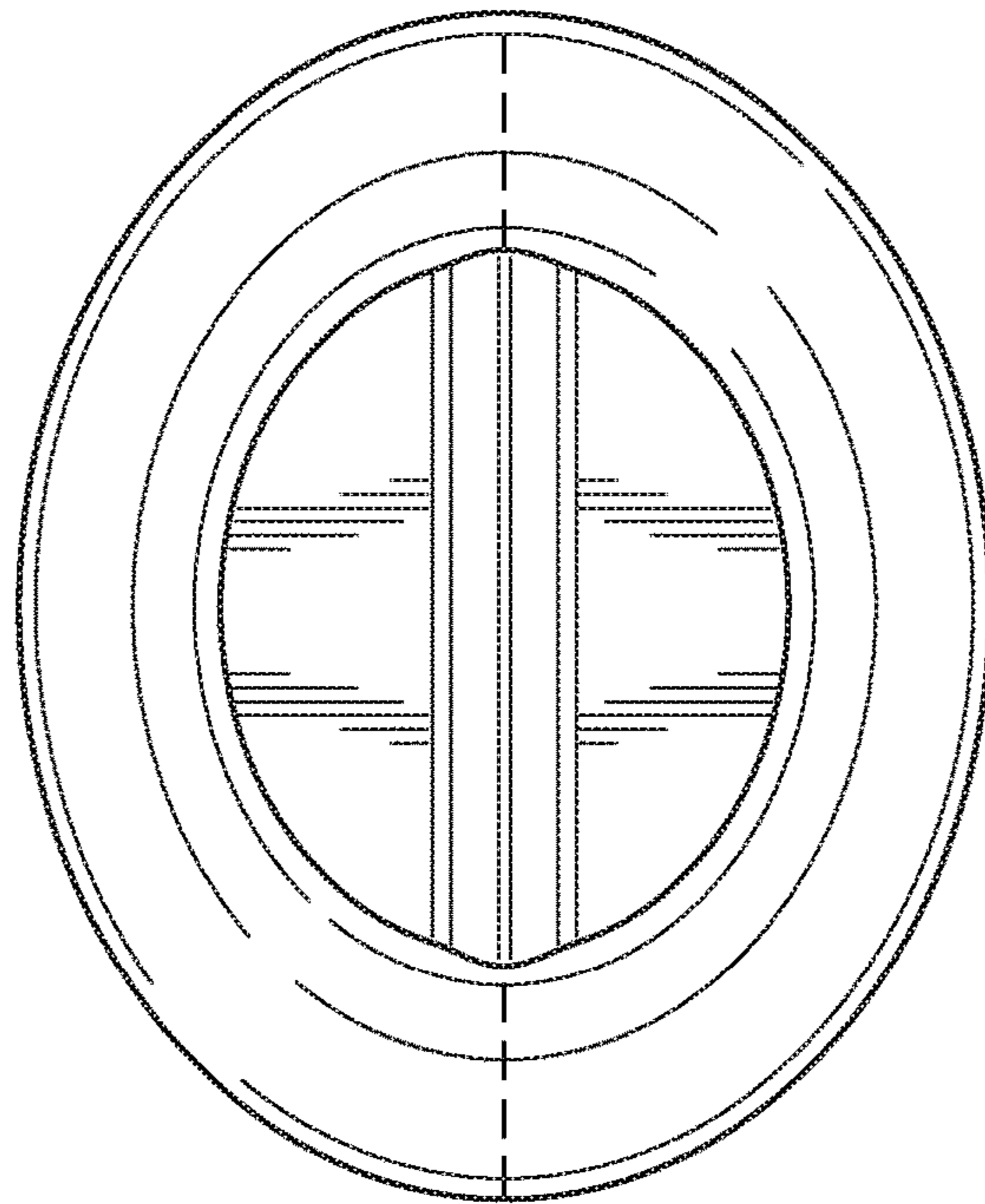


FIG. 18