



US00D841477S

(12) **United States Design Patent**  
**Rashid**

(10) **Patent No.:** **US D841,477 S**

(45) **Date of Patent:** **\*\* Feb. 26, 2019**

(54) **BOTTLE**

(71) Applicant: **Stratus Vineyards Limited,**  
Niagara-On-The-Lake (CA)

(72) Inventor: **Karim Rashid,** New York, NY (US)

(73) Assignee: **Stratus Vineyards Limited,** Ontario  
(CA)

(\*\*) Term: **15 Years**

(21) Appl. No.: **29/607,848**

(22) Filed: **Jun. 16, 2017**

(51) **LOC (11) Cl.** ..... **09-01**

(52) **U.S. Cl.**  
USPC ..... **D9/545;** D9/543

(58) **Field of Classification Search**  
USPC ..... D9/516, 520, 543, 544, 545, 551, 553,  
D9/558, 715, 719; D7/300, 300.1, 509,  
D7/598, 619.1, 624.2  
CPC ..... B65D 1/0223; B65D 1/44; B65D 81/36  
See application file for complete search history.

(56) **References Cited**

**U.S. PATENT DOCUMENTS**

D145,470 S *	8/1946	Sussman	.....	D9/529
D355,728 S *	2/1995	Newman	.....	D27/162
D371,742 S *	7/1996	Lecoule	.....	D9/544
D400,822 S *	11/1998	Therrien	.....	D11/143
D432,429 S *	10/2000	Poullain	.....	D9/516
D456,270 S *	4/2002	Beaver	.....	D9/516
D516,920 S *	3/2006	Abadinsky	.....	D9/542
D517,414 S *	3/2006	Abadinsky	.....	D9/522
D517,920 S *	3/2006	Abadinsky	.....	D9/522
D517,921 S *	3/2006	Abadinsky	.....	D9/522
D519,032 S *	4/2006	Abadinsky	.....	D9/522
D519,378 S *	4/2006	Abadinsky	.....	D9/522
D519,839 S *	5/2006	Abadinsky	.....	D9/502
D519,840 S *	5/2006	Abadinsky	.....	D9/502

(Continued)

*Primary Examiner* — Ian Simmons

*Assistant Examiner* — Keith Frank

(74) *Attorney, Agent, or Firm* — Panitch Schwarze  
Bellsario & Nadel LLP

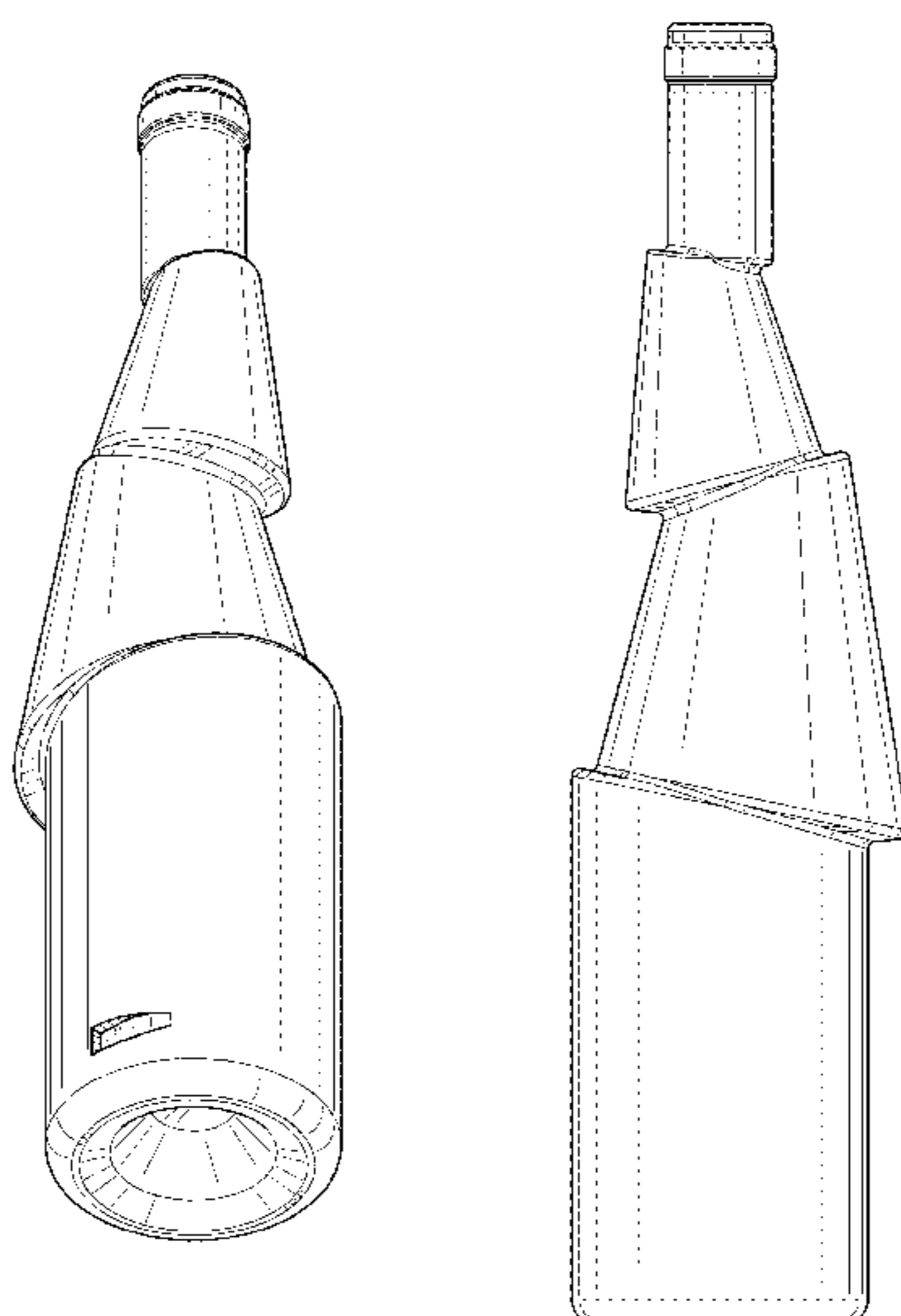
(57) **CLAIM**

The ornamental design for a bottle, as shown and described.

**DESCRIPTION**

FIG. 1 is a front perspective view of a bottle in accordance with my preferred design;  
 FIG. 2 is a rear perspective view thereof;  
 FIG. 3 is a front elevation view thereof;  
 FIG. 4 is a left side elevation view thereof;  
 FIG. 5 is a rear elevation view thereof;  
 FIG. 6 is a right side elevation view thereof;  
 FIG. 7 is a top plan view thereof;  
 FIG. 8 is a bottom plan view thereof;  
 FIG. 9 is a front perspective view of a bottle in accordance with a second embodiment of my design;  
 FIG. 10 is a rear perspective view of the bottle in accordance with the second embodiment of my design;  
 FIG. 11 is a front elevation view of the bottle in accordance with the second embodiment of my design;  
 FIG. 12 is a left side elevation view of the bottle in accordance with the second embodiment of my design;  
 FIG. 13 is a rear elevation view of the bottle in accordance with the second embodiment of my design;  
 FIG. 14 is a right side elevation view of the bottle in accordance with the second embodiment of my design;  
 FIG. 15 is a top plan view of the bottle in accordance with the second embodiment of my design; and,  
 FIG. 16 is a bottom plan view of the bottle in accordance with the second embodiment of my design.  
 The broken lines in the drawings showing the bottle illustrate the portions of the bottle that form no part of the claim. The shaded surfaces adjacent the broken lines in FIGS. 9-14 represent the bounds of the claim.

**1 Claim, 8 Drawing Sheets**



(56)

**References Cited**

U.S. PATENT DOCUMENTS

D520,364 S *	5/2006	Abadinsky .....	D9/502
D566,566 S *	4/2008	Abadinsky .....	D9/542
D566,567 S *	4/2008	Abadinsky .....	D9/543
D566,568 S *	4/2008	Abadinsky .....	D9/543
D573,473 S *	7/2008	Kruparova .....	D9/522
D676,755 S *	2/2013	Hein .....	D9/519
D709,378 S *	7/2014	Perez-Cabrera .....	D9/523
D726,502 S *	4/2015	Broen .....	D7/509
D745,405 S *	12/2015	Inzani .....	D9/543
D797,512 S *	9/2017	O'Connor .....	D7/523
D804,312 S *	12/2017	Thivolet .....	D9/520
D824,729 S *	8/2018	Fitchko .....	D7/529

\* cited by examiner

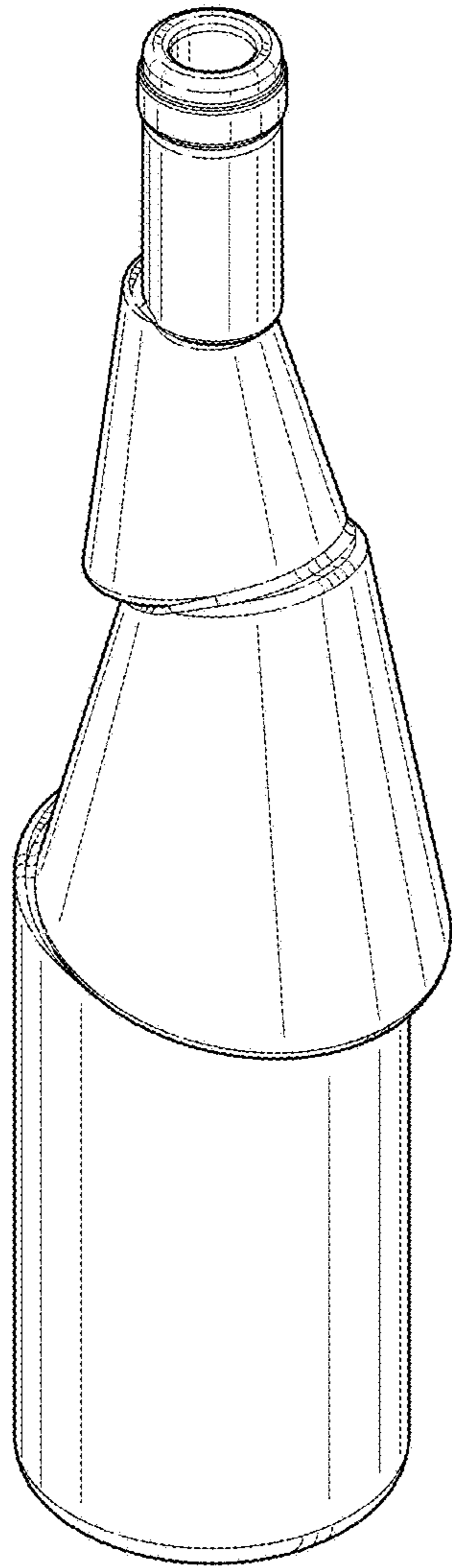


FIG. 1

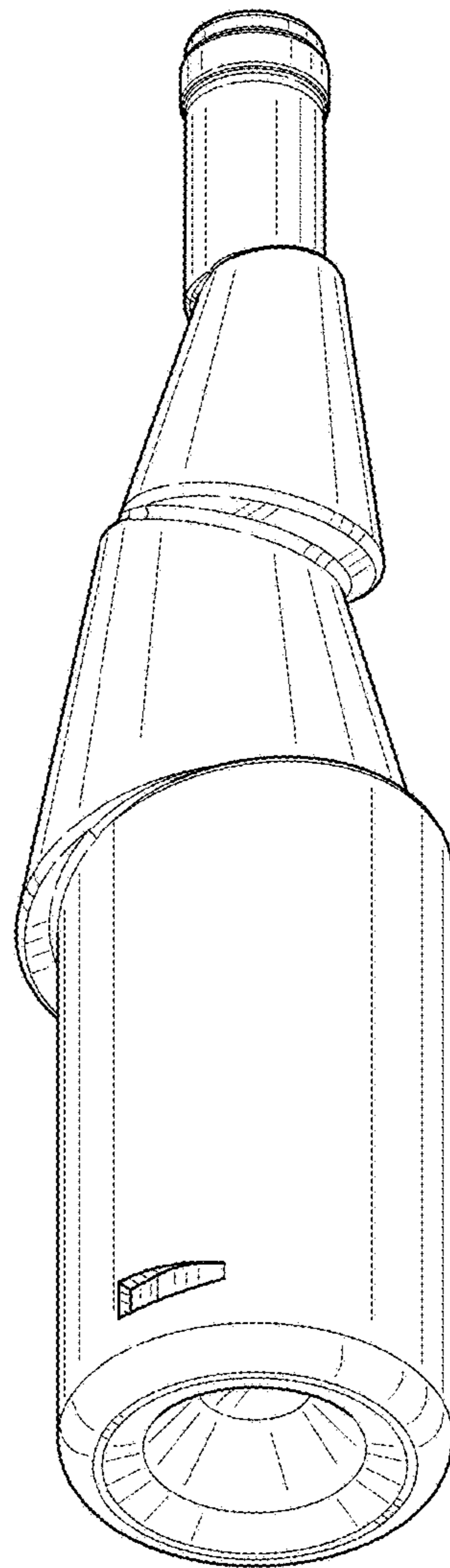
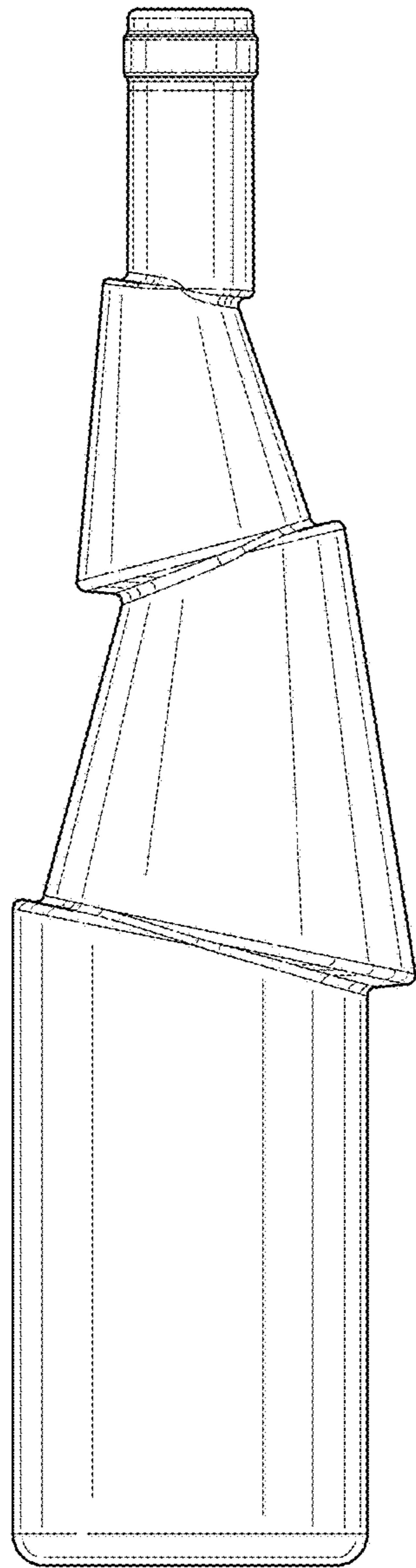
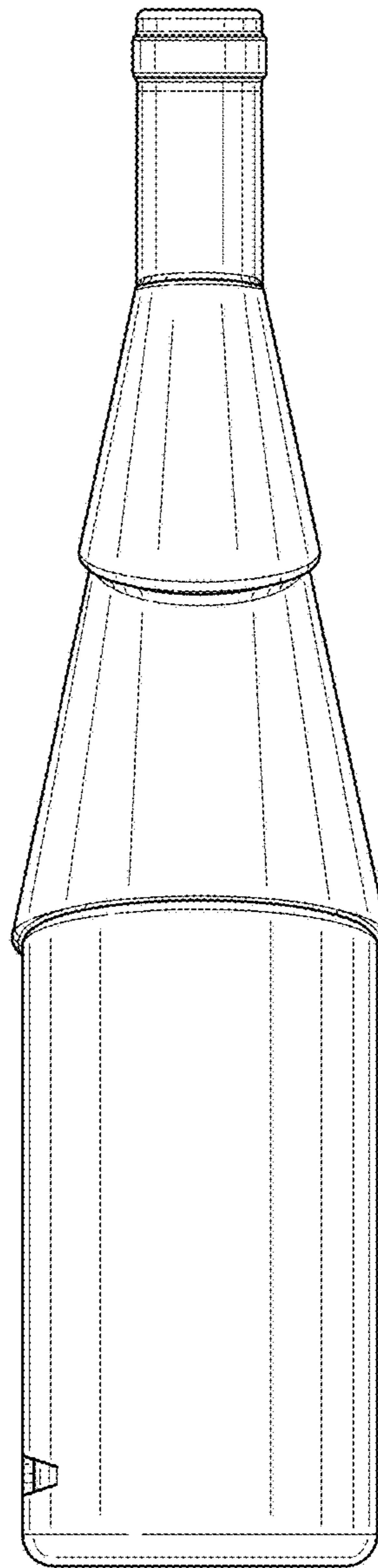


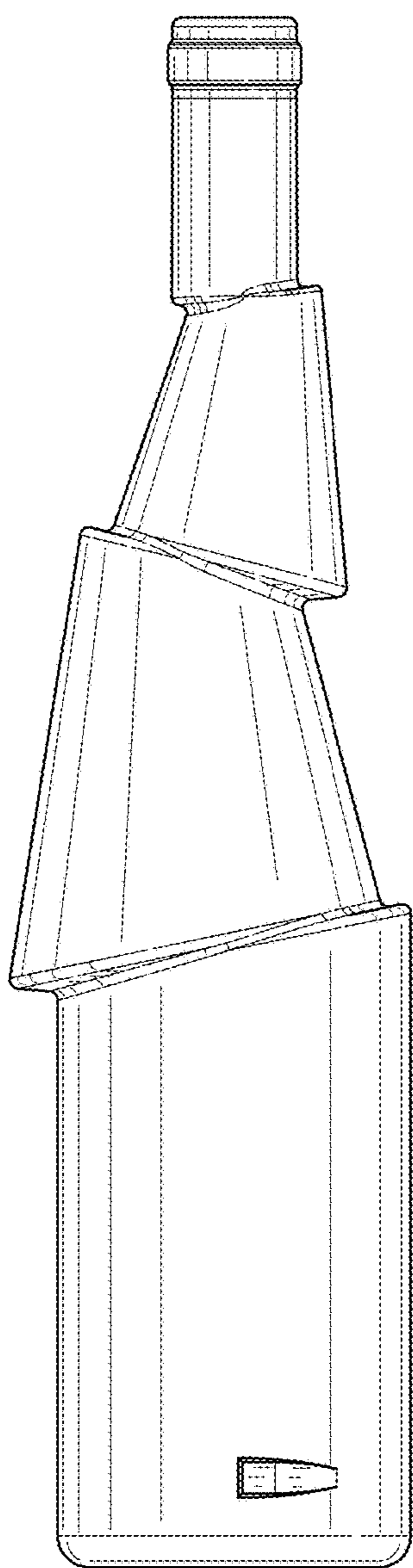
FIG. 2



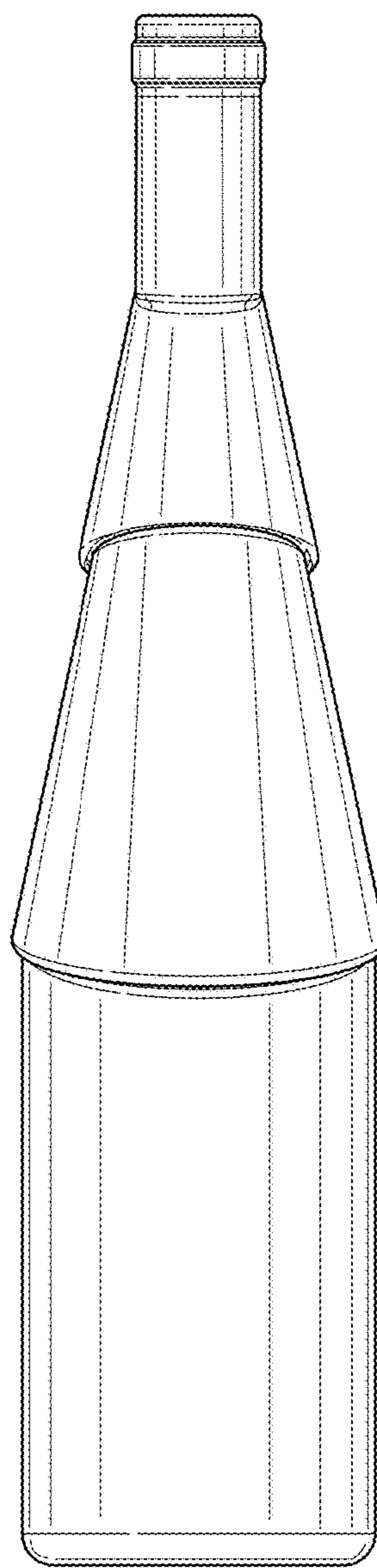
**FIG. 3**



**FIG. 4**



**FIG. 5**



**FIG. 6**

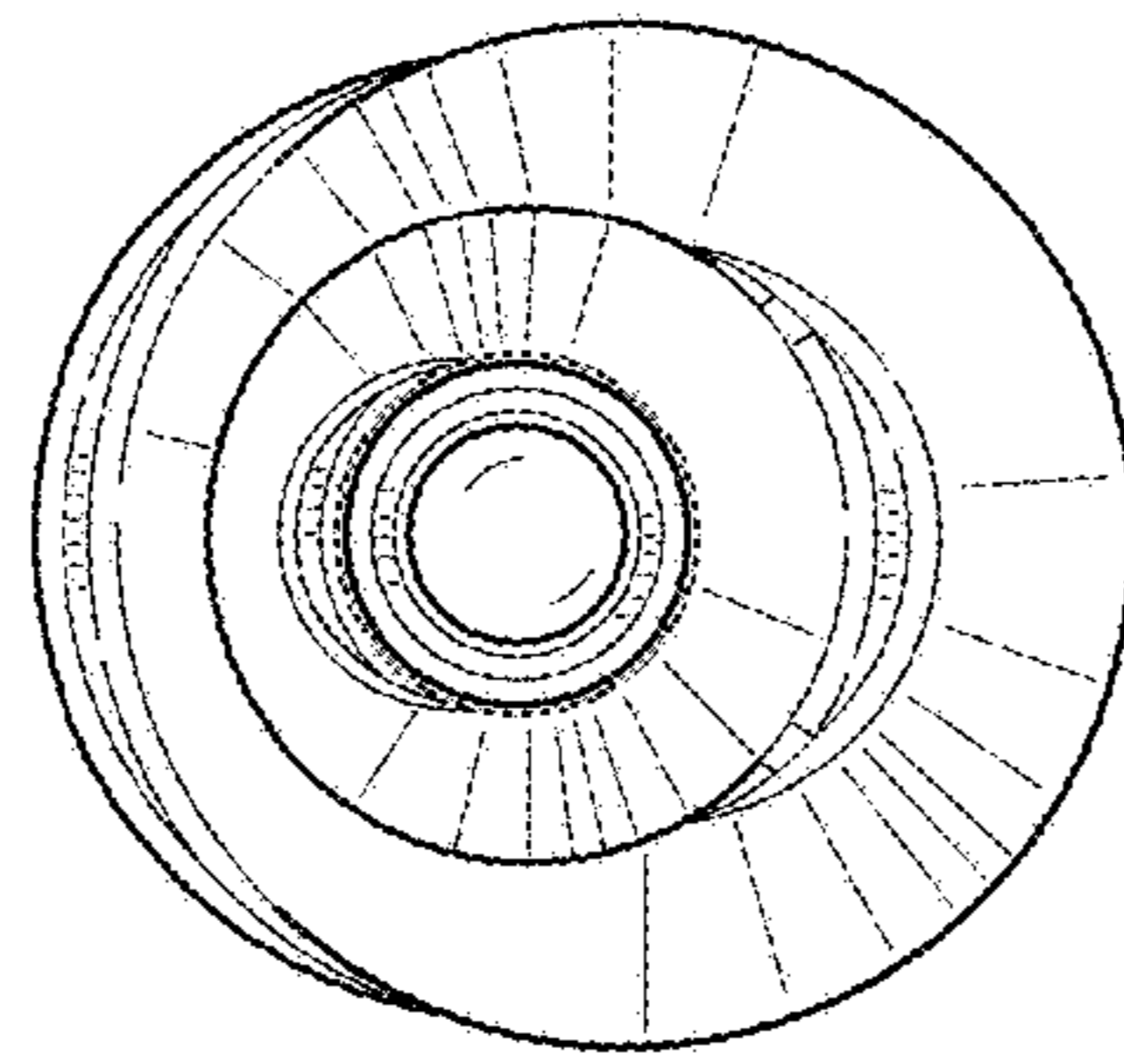


FIG. 7

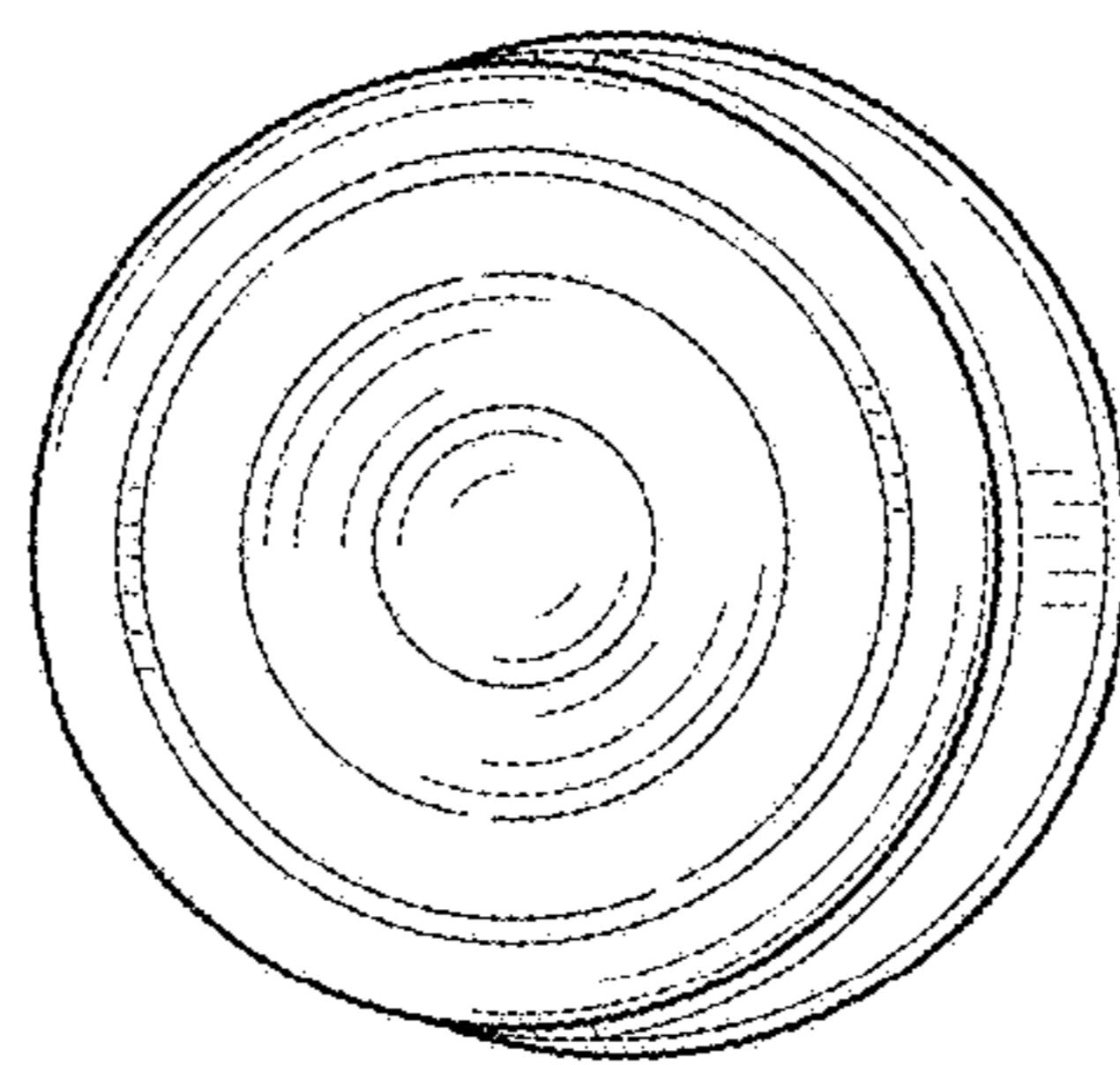
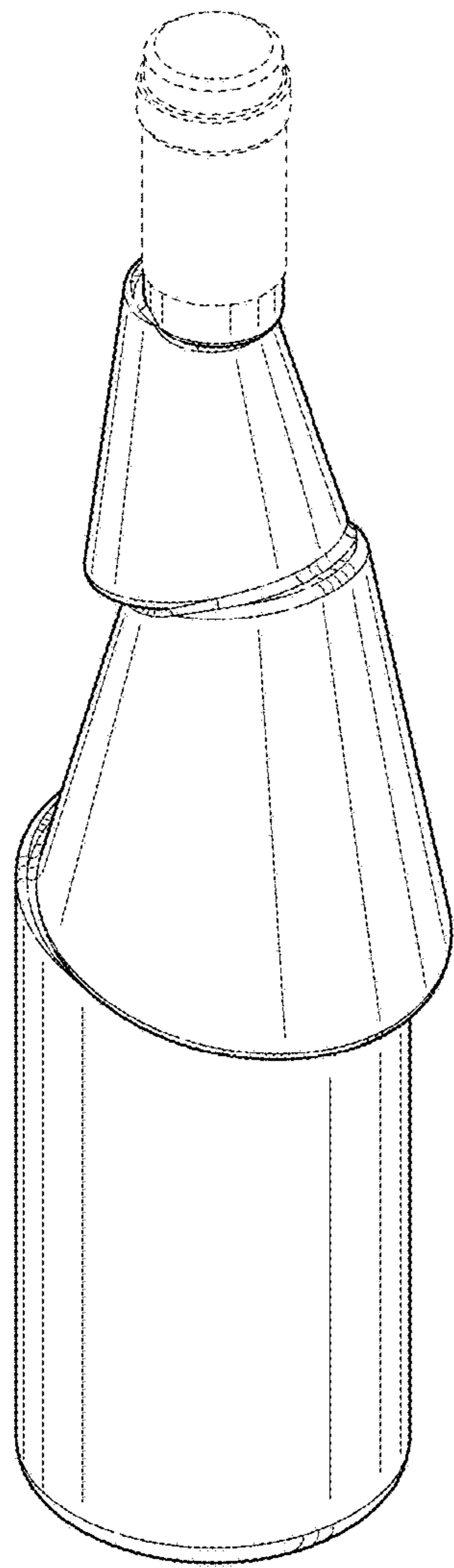
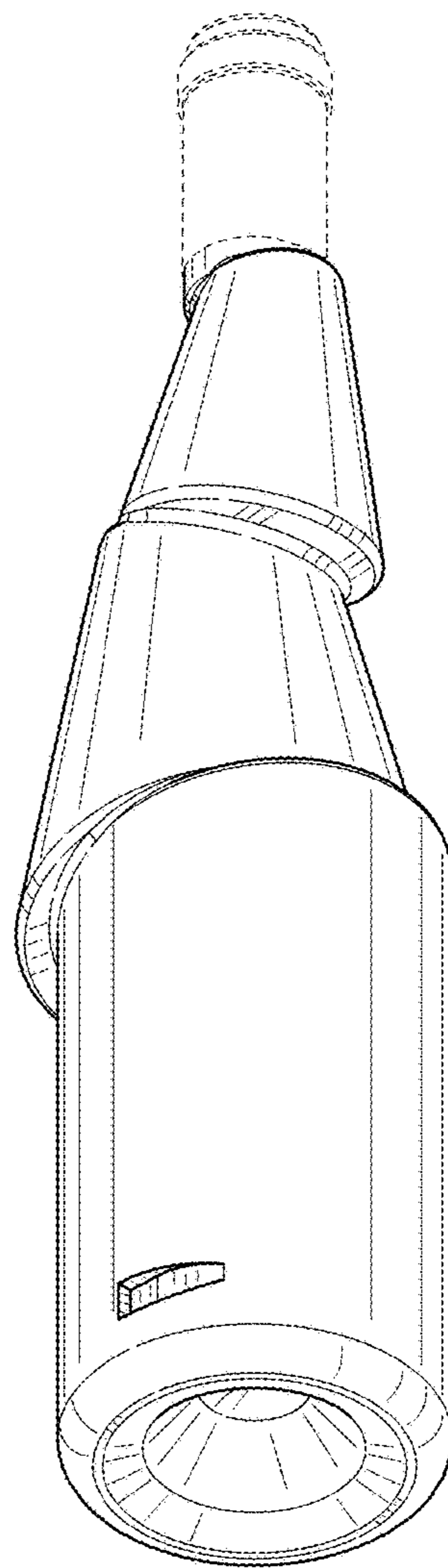


FIG. 8



**FIG. 9**



**FIG. 10**

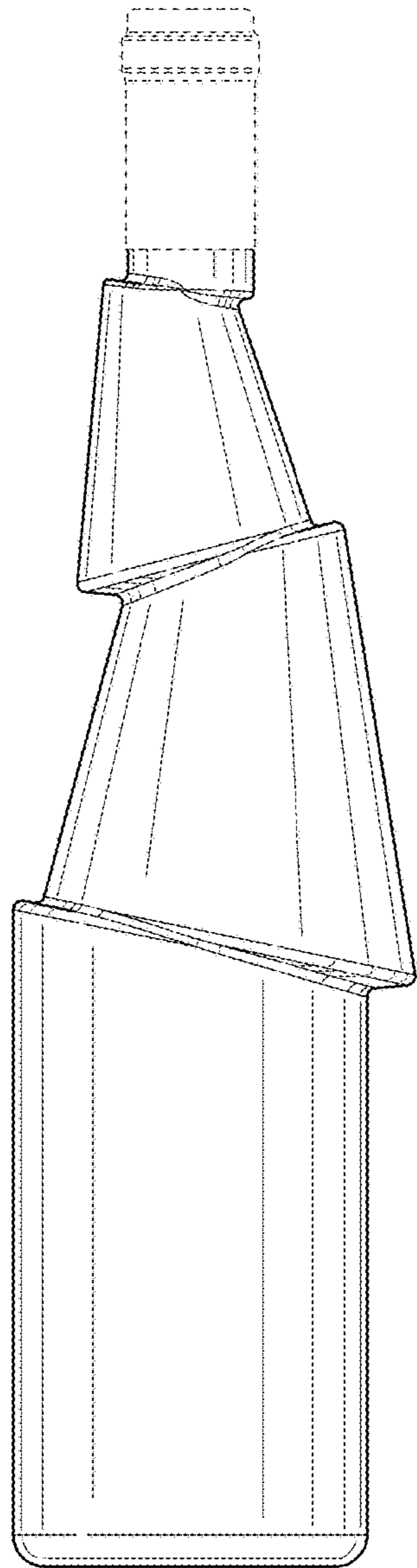


FIG. 11

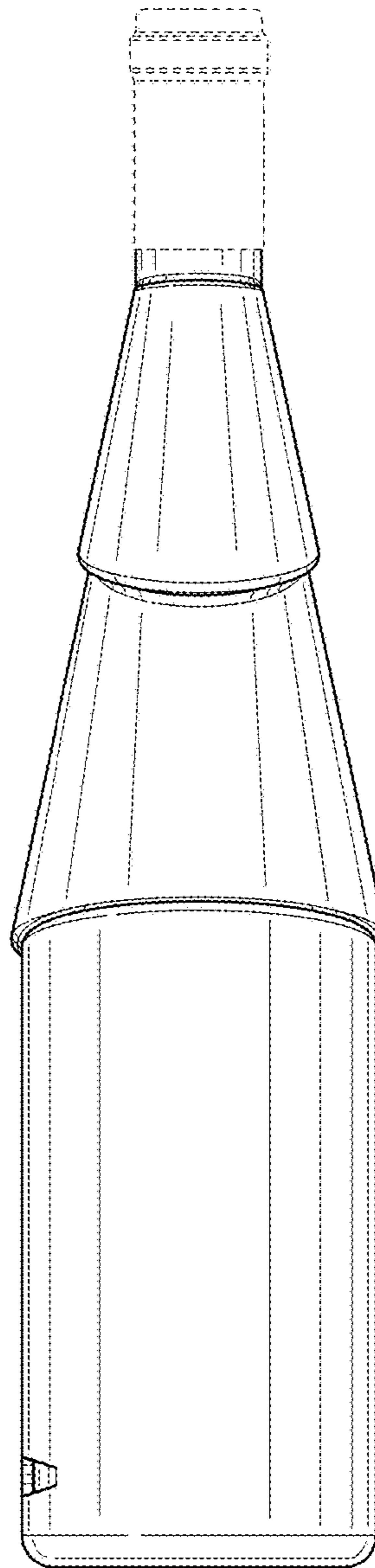
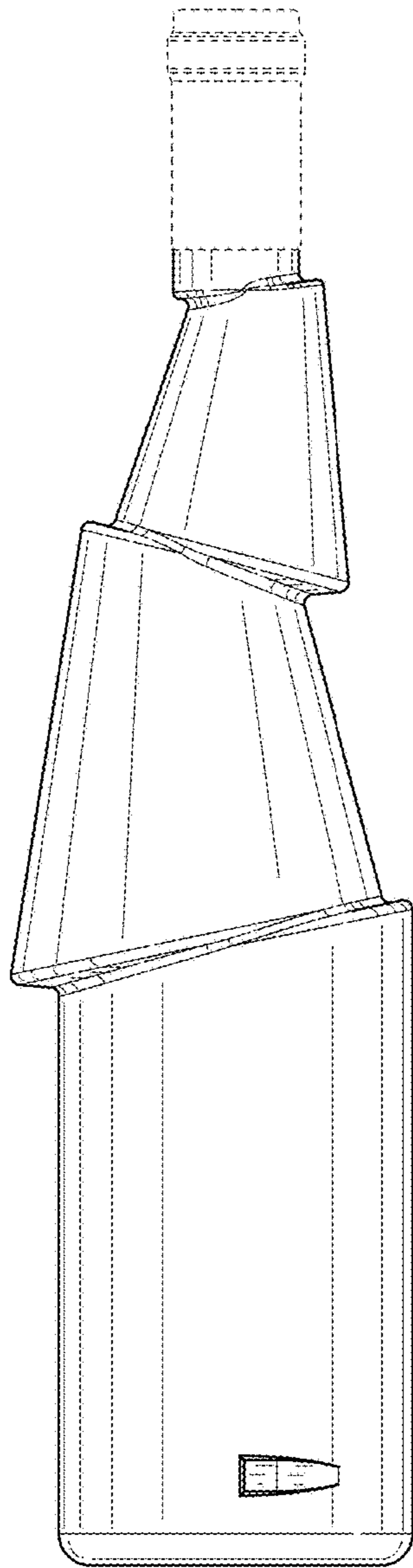
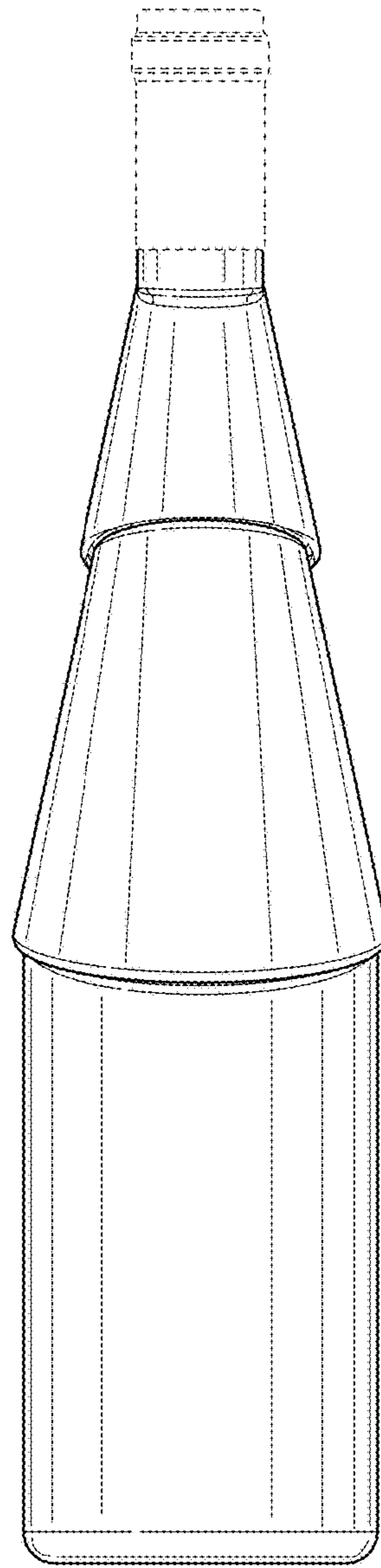


FIG. 12





**FIG. 13**



**FIG. 14**

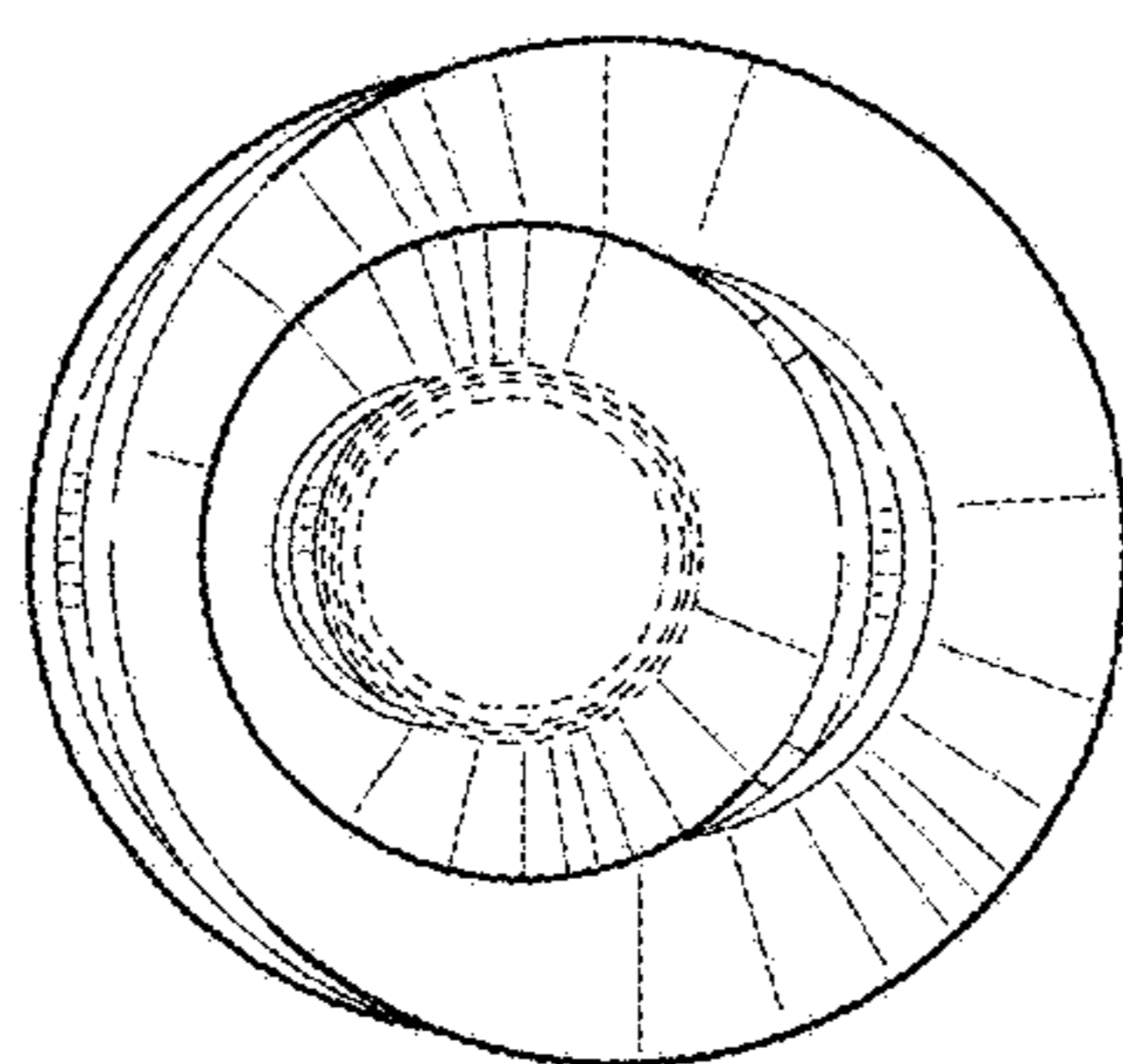


FIG. 15

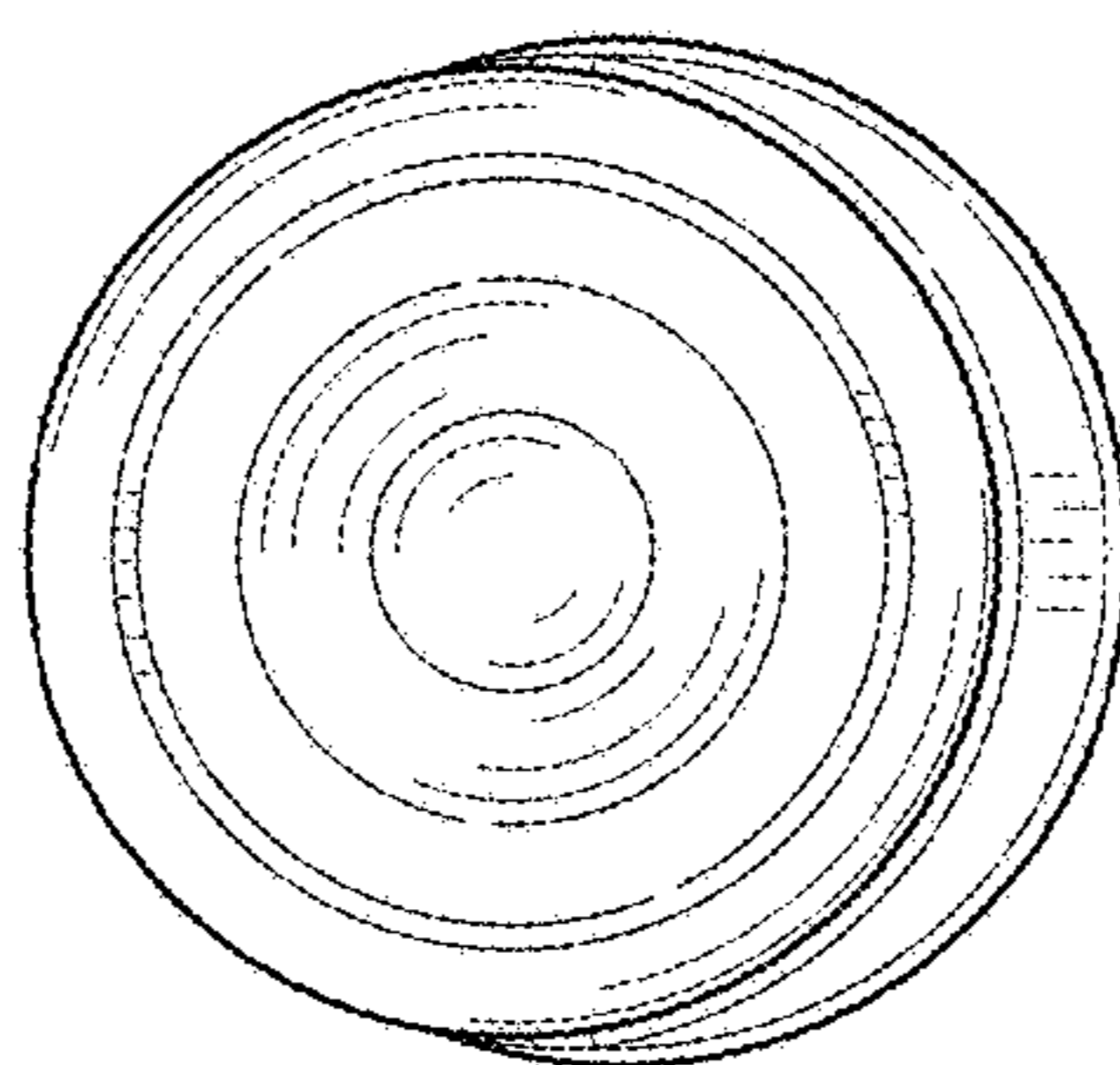


FIG. 16