



US00D841470S

(12) **United States Design Patent**  
**Kibalczyk et al.**

(10) **Patent No.:** **US D841,470 S**

(45) **Date of Patent:** **\*\* Feb. 26, 2019**

- (54) **BOTTLE**
- (71) Applicants: **Paweł Kibalczyk**, Laski (PL); **Damian Jarecki**, Łódź (PL)
- (72) Inventors: **Paweł Kibalczyk**, Laski (PL); **Damian Jarecki**, Łódź (PL)
- (73) Assignees: **Paweł Kibalczyk**, Laski (PL); **Damian Jarecki**, Lodz (PL)

(\*\*) Term: **14 Years**

(21) Appl. No.: **29/513,499**

(22) Filed: **Dec. 31, 2014**

(30) **Foreign Application Priority Data**

Jul. 2, 2014 (WO) ..... DM/084 130

(51) **LOC (11) Cl.** ..... **09-01**

(52) **U.S. Cl.**  
USPC ..... **D9/522; D9/543**

(58) **Field of Classification Search**  
USPC ..... D9/516, 520, 522, 530, 537, 539, 540,  
D9/542, 543, 544, 549, 550, 552, 553,  
D9/554, 556, 557, 558, 571, 574, 715,  
D9/719

CPC ..... B65D 81/00; B65D 1/02; B65D 1/0207;  
B65D 1/0223; B65D 1/0284; B65D  
2501/0027

See application file for complete search history.

(56) **References Cited**

**U.S. PATENT DOCUMENTS**

- D270,520 S \* 9/1983 Strand ..... D9/500
- D396,640 S \* 8/1998 Conrad ..... D9/502

- 5,906,286 A \* 5/1999 Matsuno ..... B29C 49/12  
215/373
- D429,647 S \* 8/2000 Warner ..... D9/538
- D469,697 S \* 2/2003 Herrin ..... D9/538
- D518,724 S \* 4/2006 Arih ..... D9/502
- D533,065 S \* 12/2006 Brauner ..... D9/502
- D587,119 S \* 2/2009 Meillerais ..... D9/520
- D609,108 S \* 2/2010 George ..... D9/520
- D655,619 S \* 3/2012 Soliman ..... D9/690
- D749,418 S \* 2/2016 Fleischhacker ..... D9/500
- 2014/0175043 A1 \* 6/2014 Haner ..... B65D 1/0261  
215/373
- 2015/0034660 A1 \* 2/2015 Barel ..... B65D 1/44  
220/608

\* cited by examiner

*Primary Examiner* — Ian Simmons

*Assistant Examiner* — Keith Frank

(74) *Attorney, Agent, or Firm* — Polson Intellectual  
Property Law, PC; Margaret Polson

(57) **CLAIM**

The ornamental design for a bottle, as shown and described.

**DESCRIPTION**

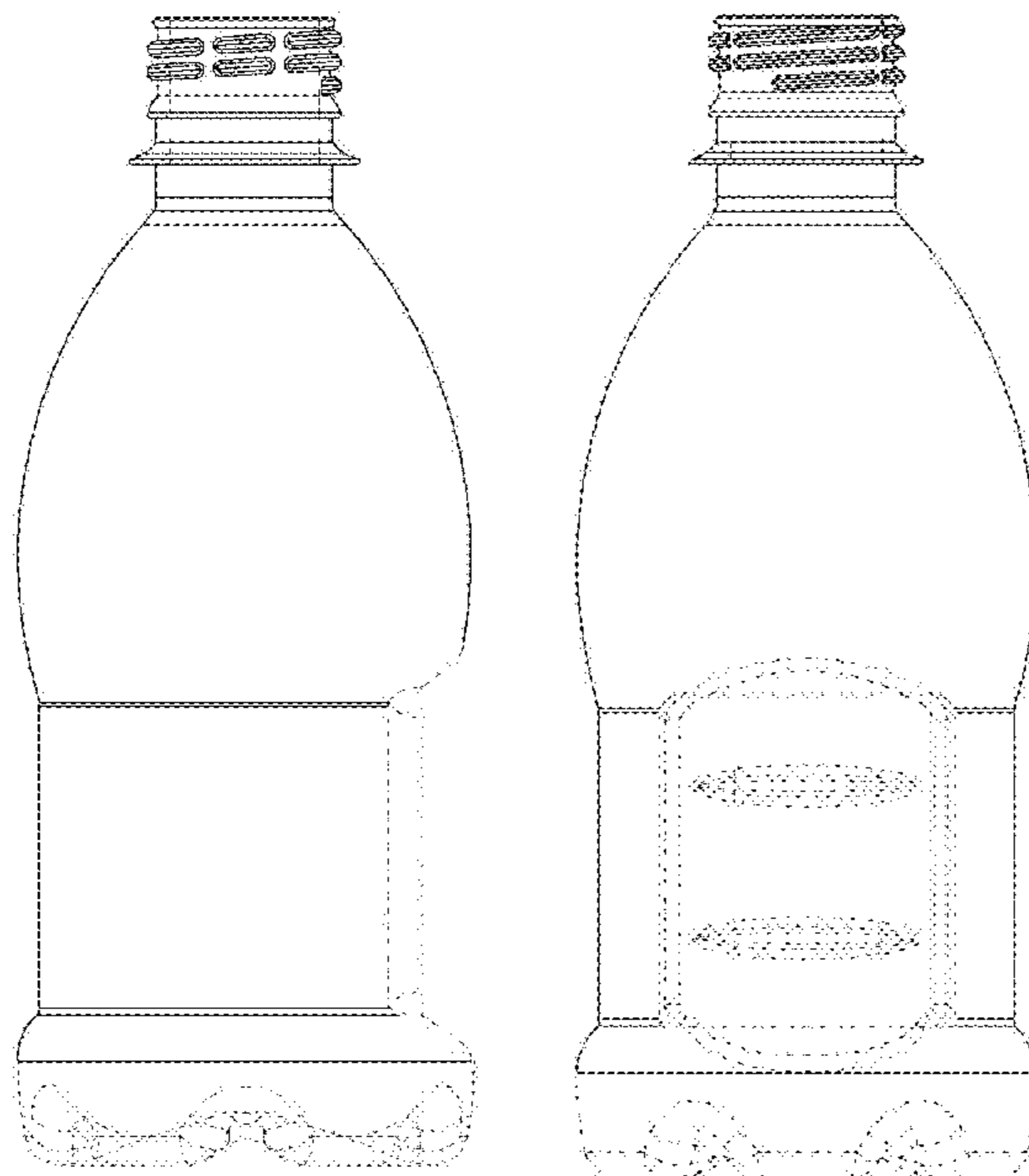
FIG. 1 is a front side elevation view of my new design for a bottle.

FIG. 2 is a side elevation view of the right and left sides, which are mirror images, of FIG. 1.

FIG. 3 is a back side elevation view of FIG. 1; and, FIG. 4 is a bottom plan view of FIG. 1.

The broken lines in the drawings illustrate the portions of the bottle that form no part of the claimed design.

**1 Claim, 4 Drawing Sheets**



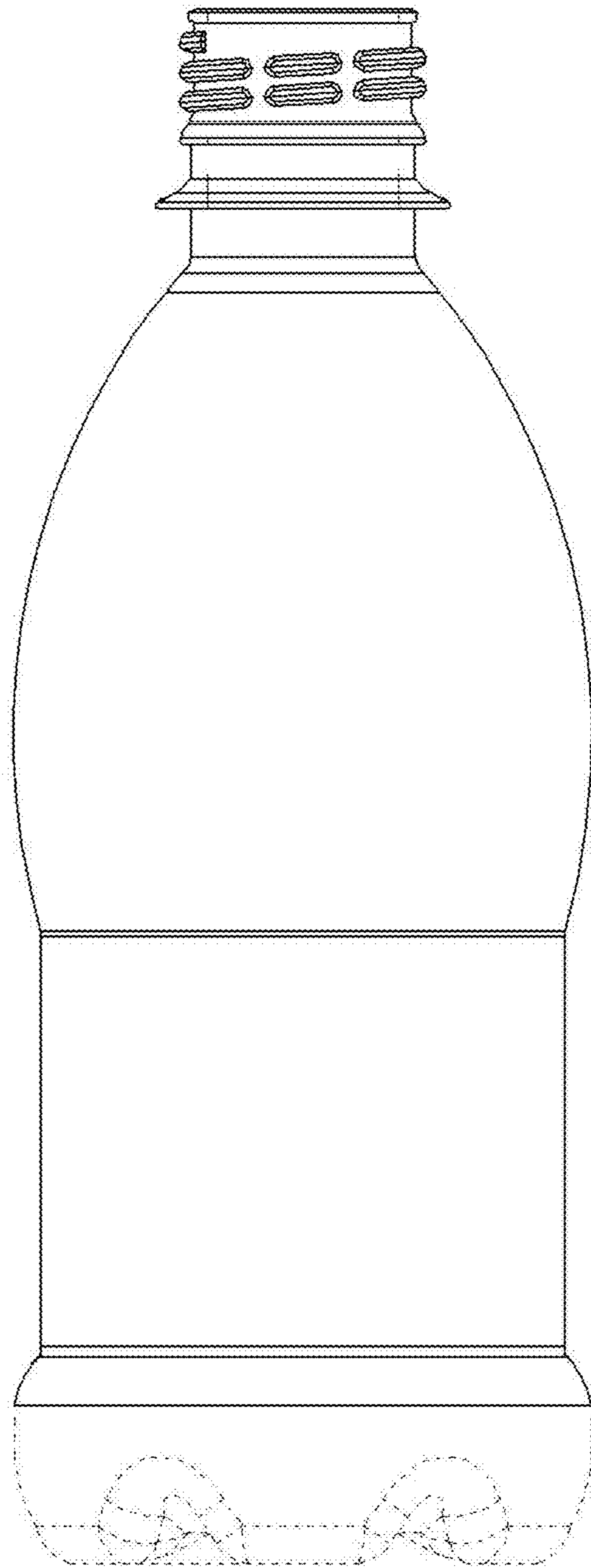


Fig. 1

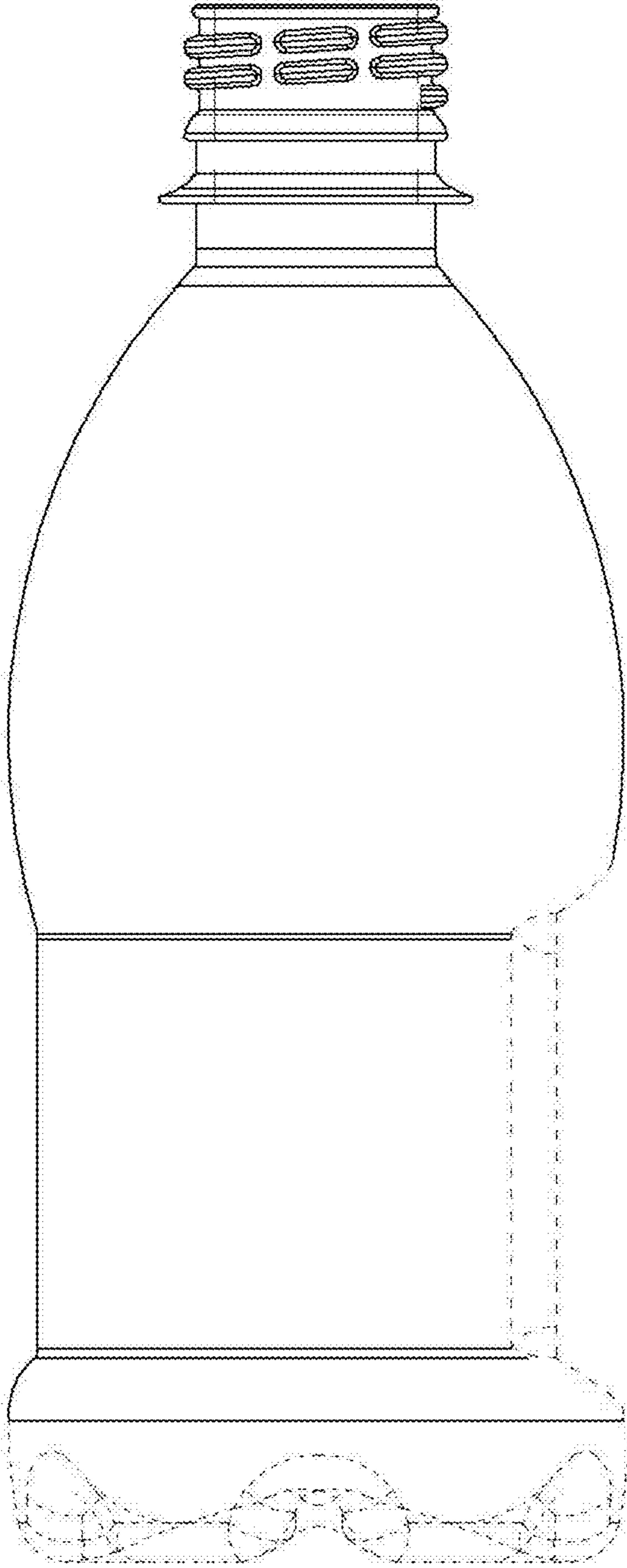


Fig. 2

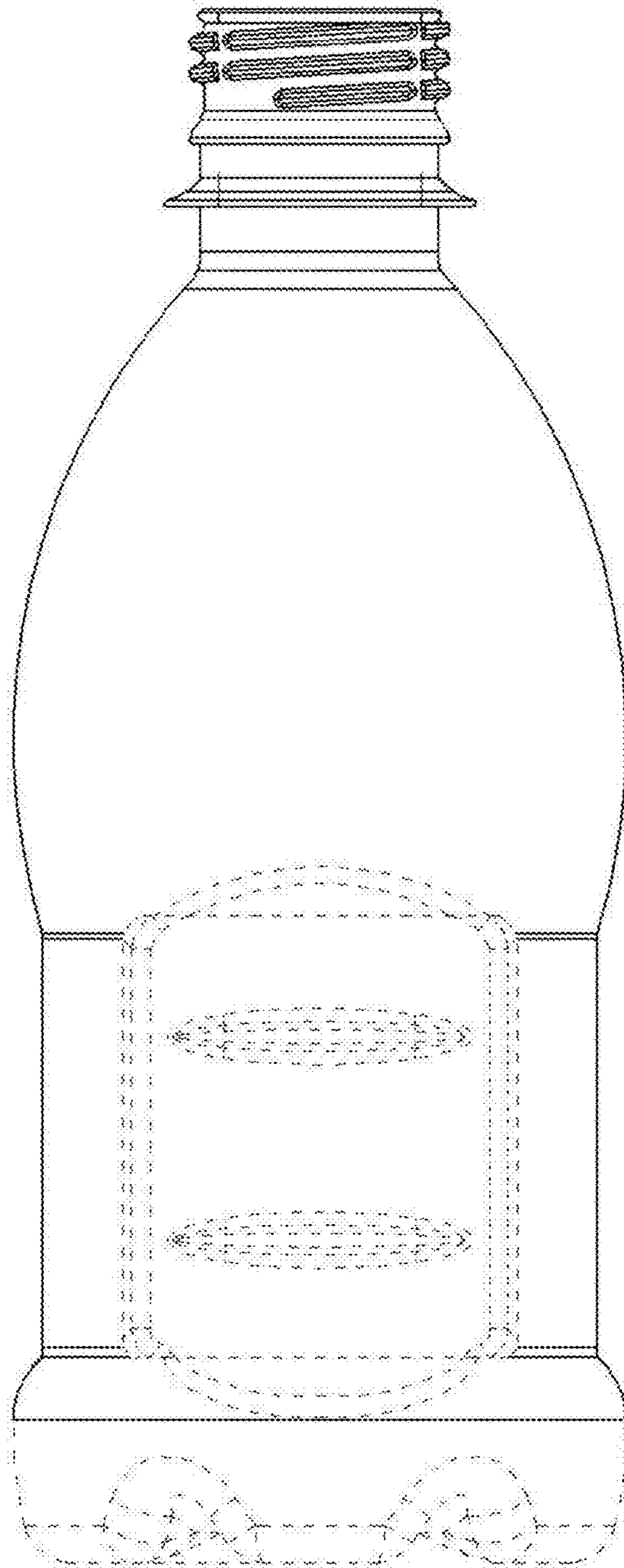


Fig. 3

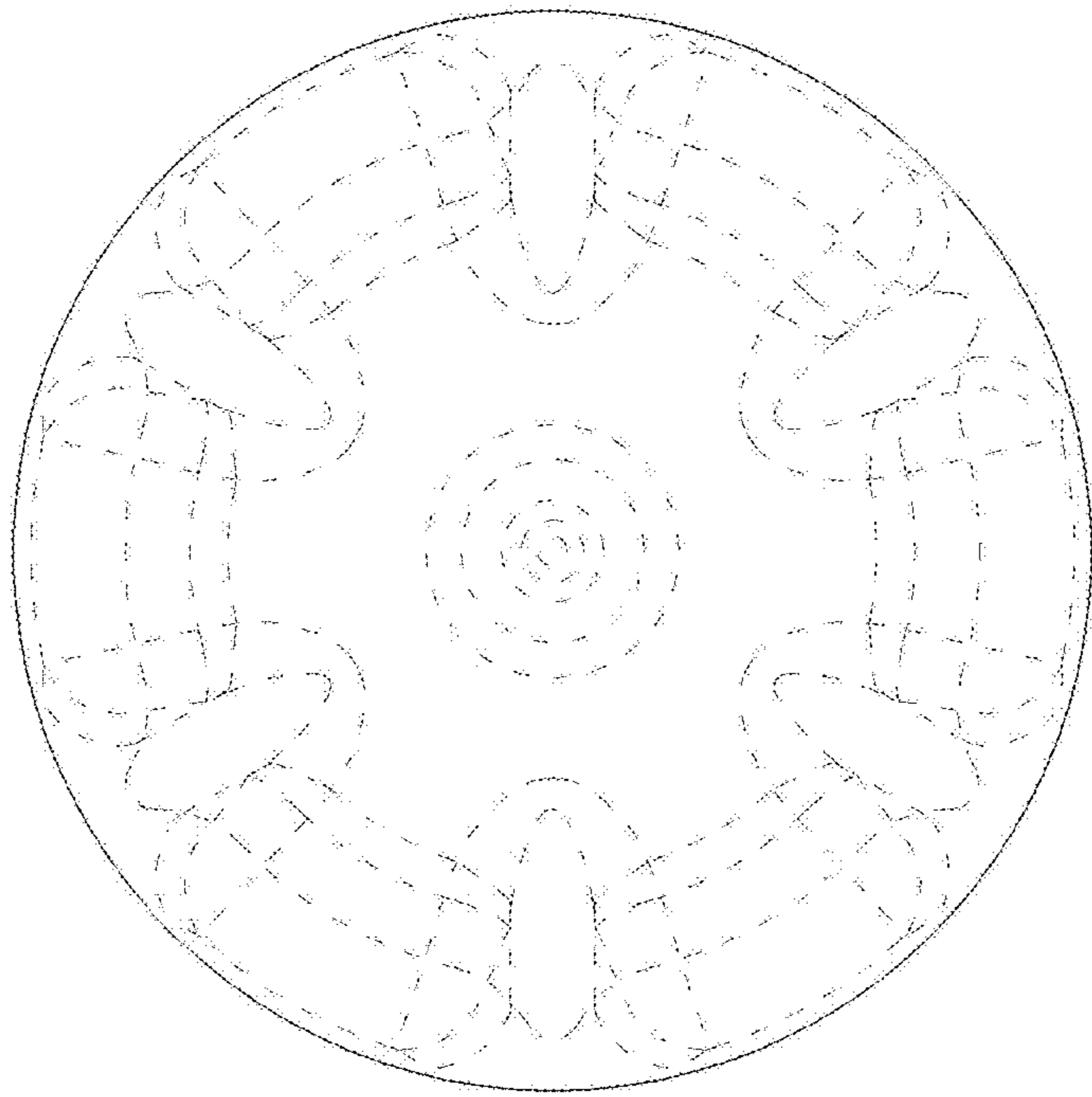


Fig. 4