



US00D841468S

(12) **United States Design Patent**
Sawicki et al.

(10) **Patent No.:** **US D841,468 S**

(45) **Date of Patent:** **** Feb. 26, 2019**

(54) **BOTTLE**

(71) Applicant: **TricorBraun Inc.**, St. Louis, MO (US)

(72) Inventors: **Craig Sawicki**, Roselle, IL (US);
Samantha Juna, Carol Stream, IL (US)

(73) Assignee: **TricorBraun Inc.**, St. Louis, MO (US)

(**) Term: **15 Years**

(21) Appl. No.: **29/582,380**

(22) Filed: **Oct. 27, 2016**

(51) **LOC (11) Cl.** **09-01**

(52) **U.S. Cl.**
USPC **D9/503**; D9/447; D9/454; D9/548;
D7/591

(58) **Field of Classification Search**

USPC D9/434-435, 444-445, 447, 454, 500,
D9/503-504, 516, 548-549, 558, 715,
D9/719; D7/590-591, 596-597

CPC B65D 1/00; B65D 1/02; B65D 1/0223;
B65D 23/00; B65D 81/00; B65D
2501/00; B65D 2501/0009; A47G 19/24

See application file for complete search history.

(56) **References Cited**

U.S. PATENT DOCUMENTS

D191,181 S *	8/1961	Braun	D9/529
D222,097 S *	9/1971	Douglas	D7/615
D237,586 S *	11/1975	Plummer	D9/503
D248,204 S *	6/1978	Daenen	D7/591
D262,516 S *	1/1982	Oshita	D9/500
D263,119 S *	2/1982	Oshita	D9/503
D445,030 S *	7/2001	Croft	D9/438
D500,678 S *	1/2005	Park	D9/502
D516,428 S *	3/2006	Bezek	D9/502
D535,476 S *	1/2007	Pennington	D3/262
D693,688 S *	11/2013	Russell	D9/454
D828,757 S *	9/2018	Sawicki	D9/560

* cited by examiner

Primary Examiner — Dana Meyrow

(74) *Attorney, Agent, or Firm* — Husch Blackwell LLP

(57) **CLAIM**

We claim the ornamental design for a bottle, as shown and described.

DESCRIPTION

FIG. 1 is a top perspective view of a bottle showing the new design;

FIG. 2 is a front elevation view thereof, with the back, left, and right elevation views being identical to the front elevation view shown in FIG. 2;

FIG. 3 is a top plan view thereof;

FIG. 4 is a bottom plan view thereof;

FIG. 5 is top perspective view thereof, with the cap exploded from the container;

FIG. 5A is a cross-sectional view taken along line 5A-5A in FIG. 5; and

FIG. 6 is a front elevation view thereof, with the cap exploded from the container;

FIG. 7 is a rear elevation view thereof, with the cap exploded from the container;

FIG. 8 is a right elevation view thereof, with the cap exploded from the container;

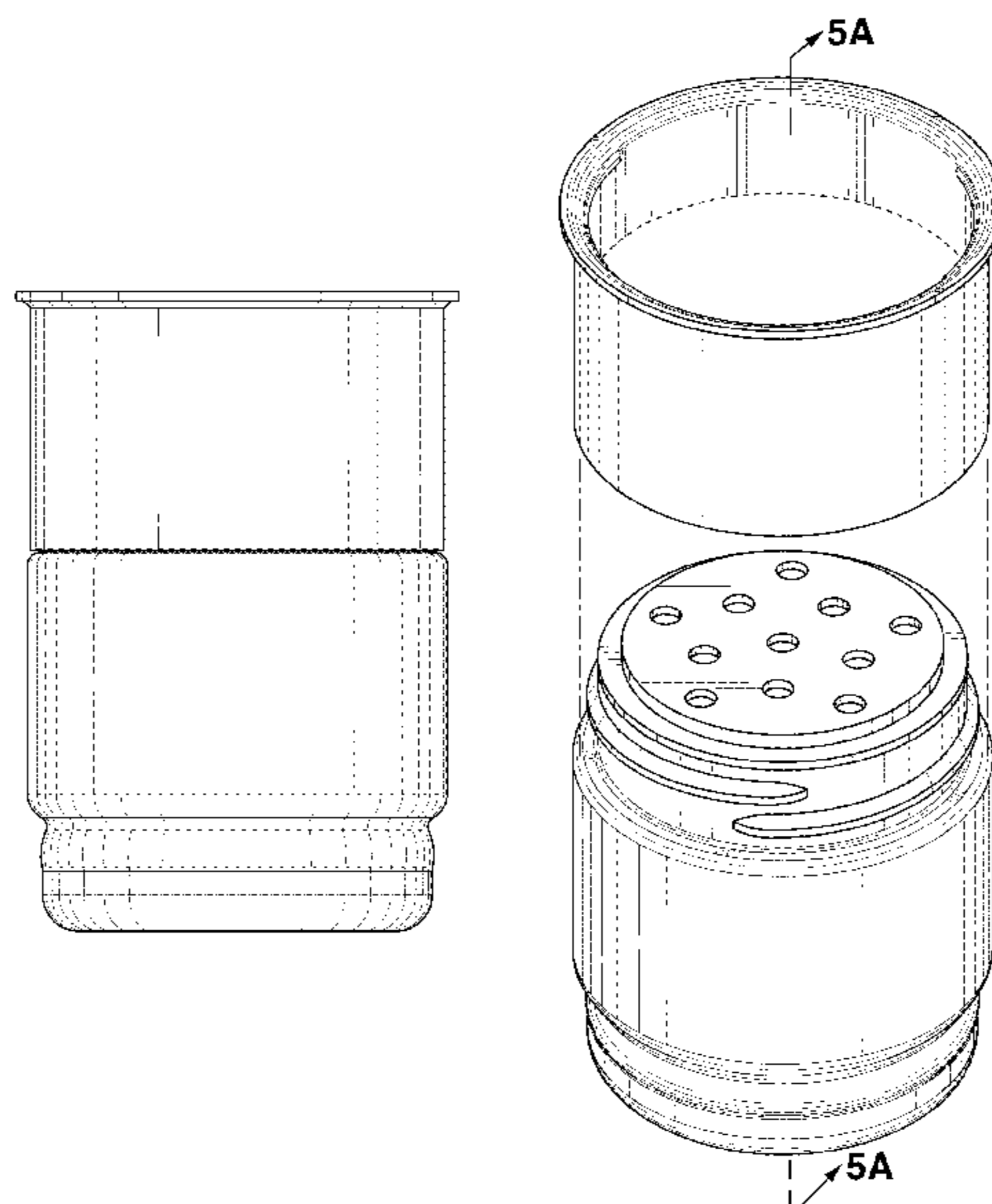
FIG. 9 is a left elevation view thereof, with the cap exploded from the container;

FIG. 10 is a top plan view thereof, with the cap exploded from the container; and,

FIG. 11 is a bottom plan view thereof, with the cap exploded from the container.

The broken lines in the drawings illustrate the portions of the bottle that form no part of the claim.

1 Claim, 10 Drawing Sheets



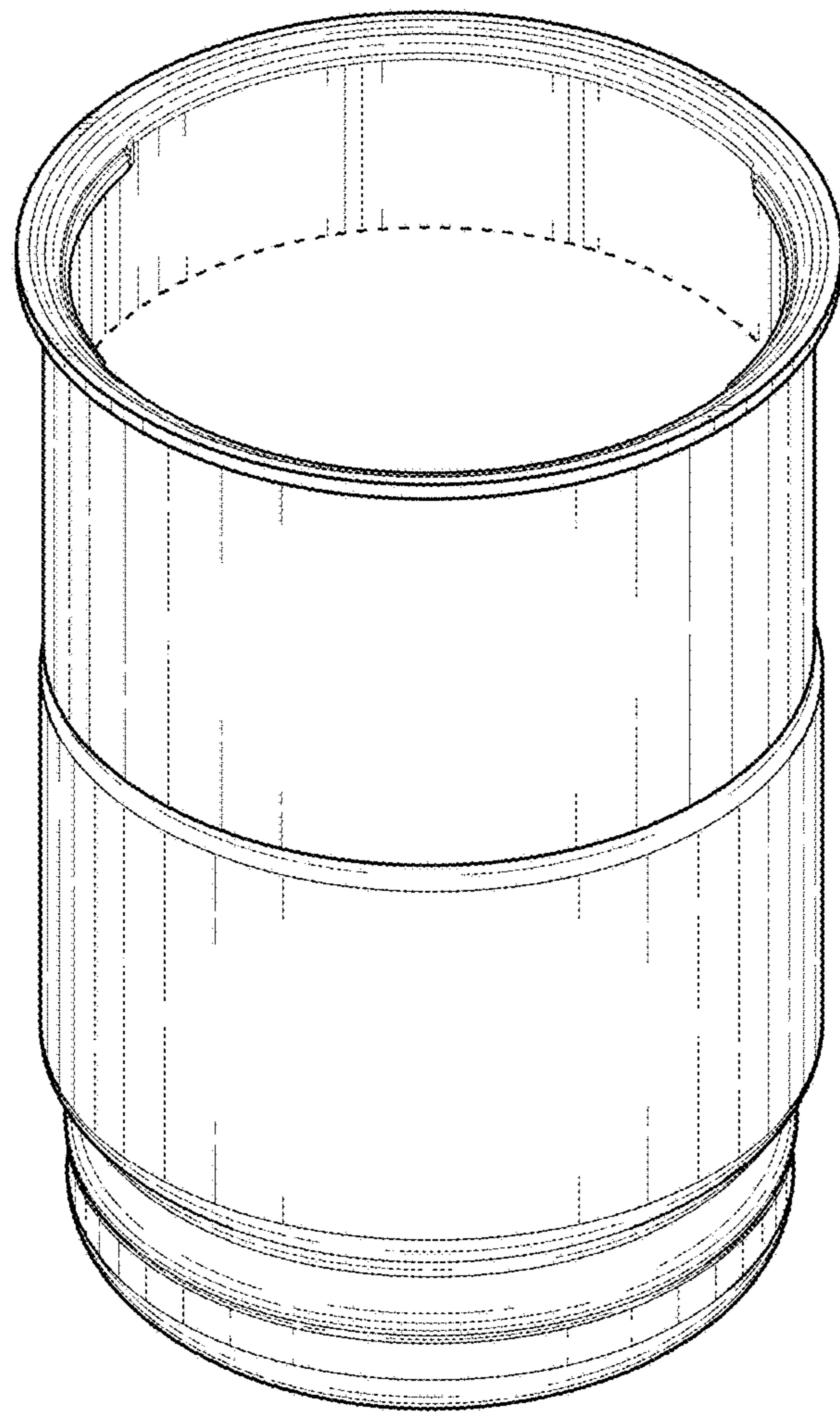


FIG. 1

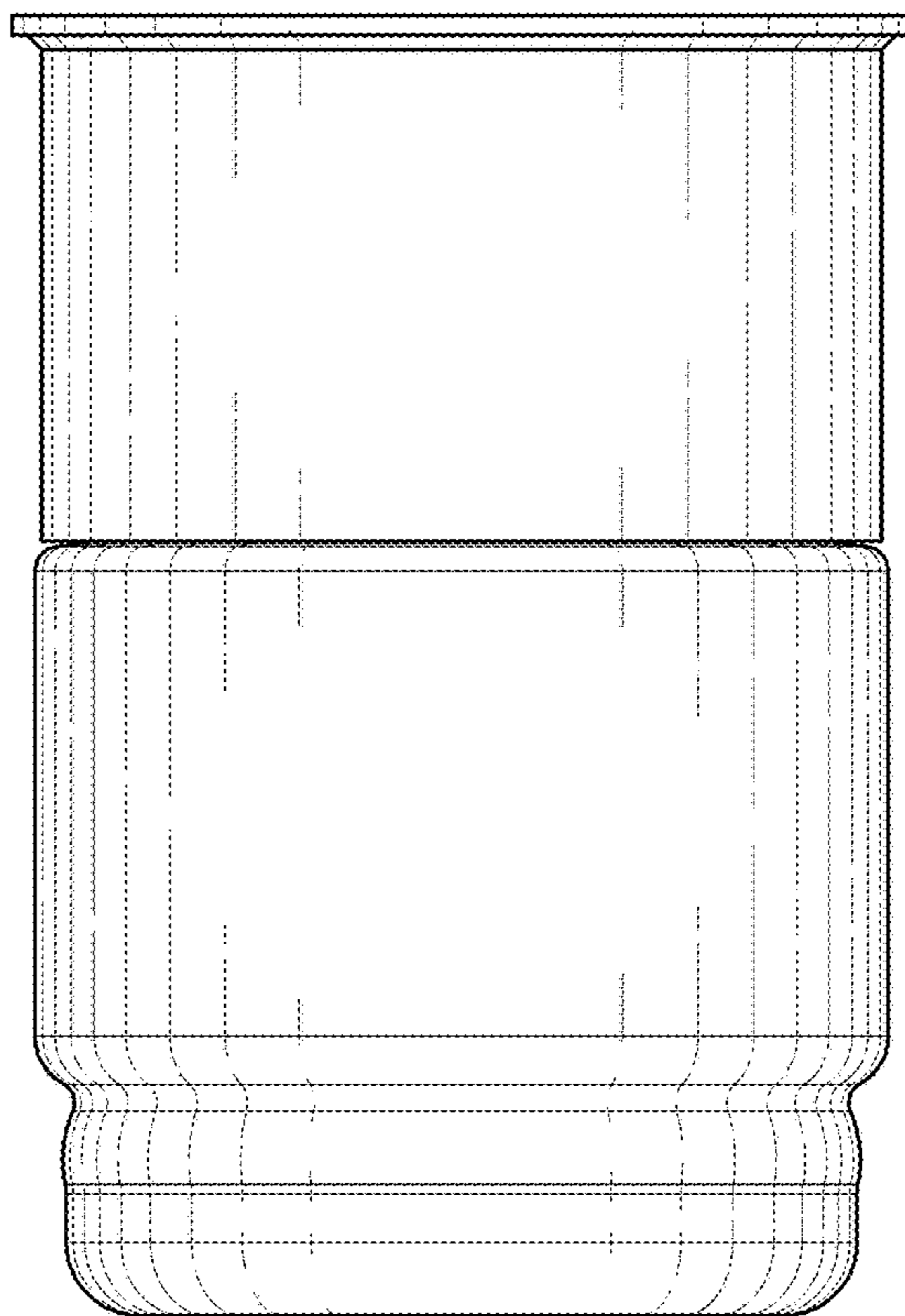


FIG. 2

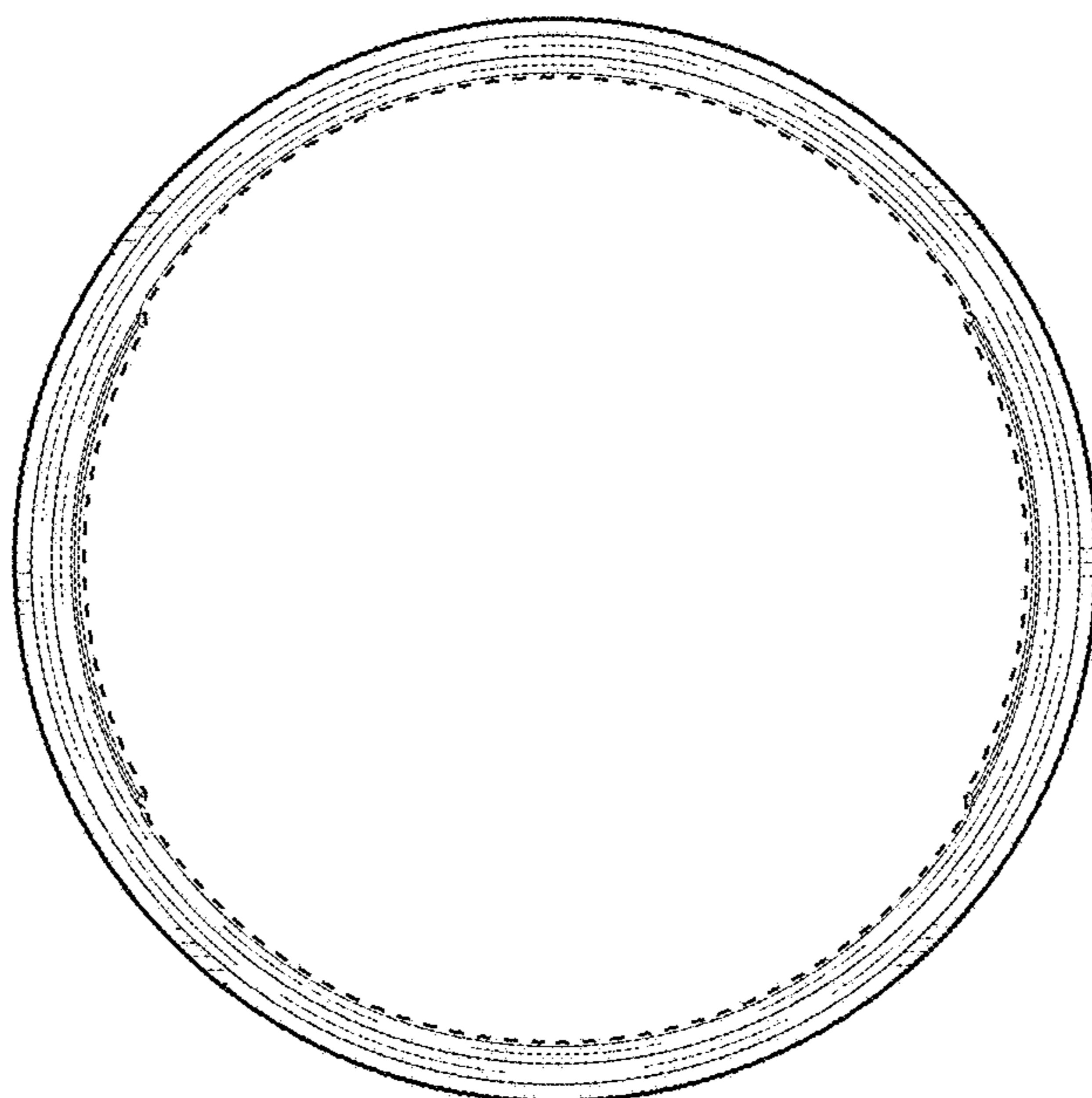


FIG. 3

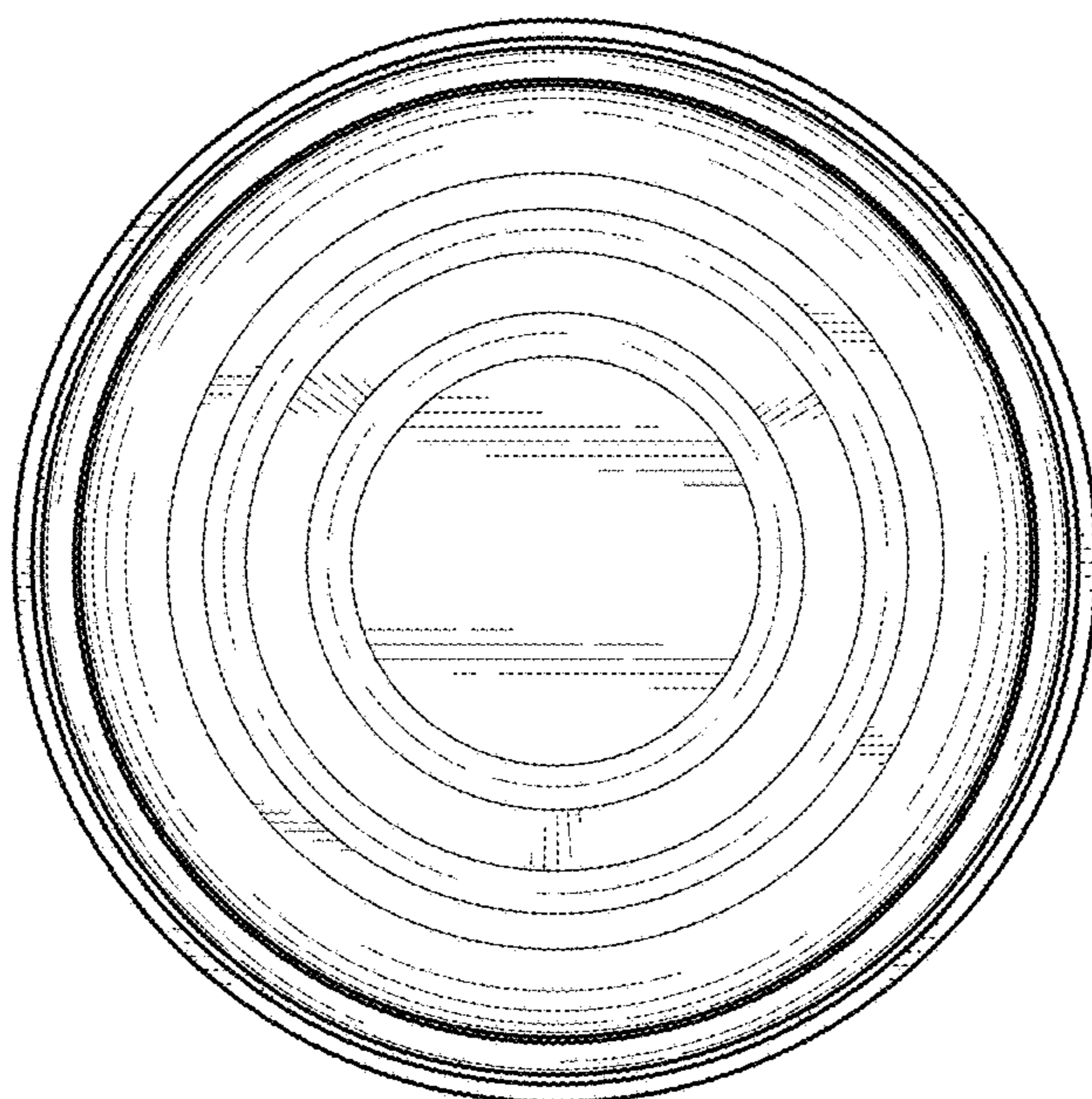


FIG. 4

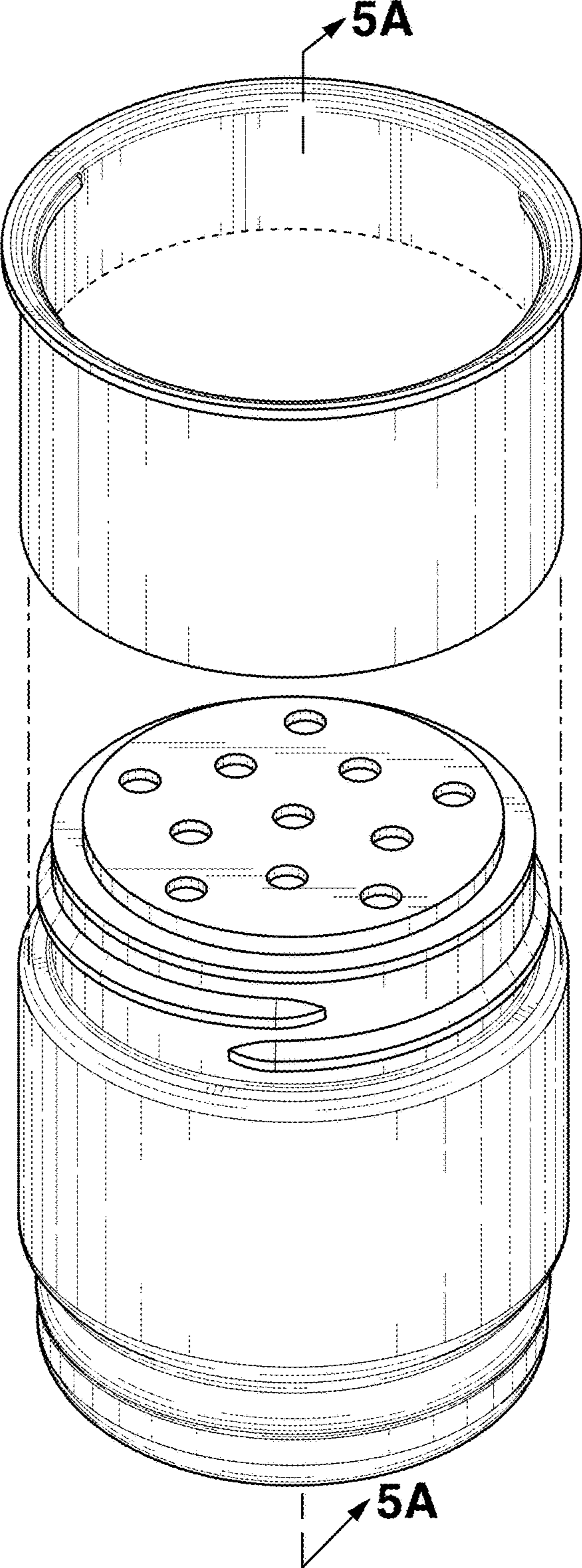


FIG. 5

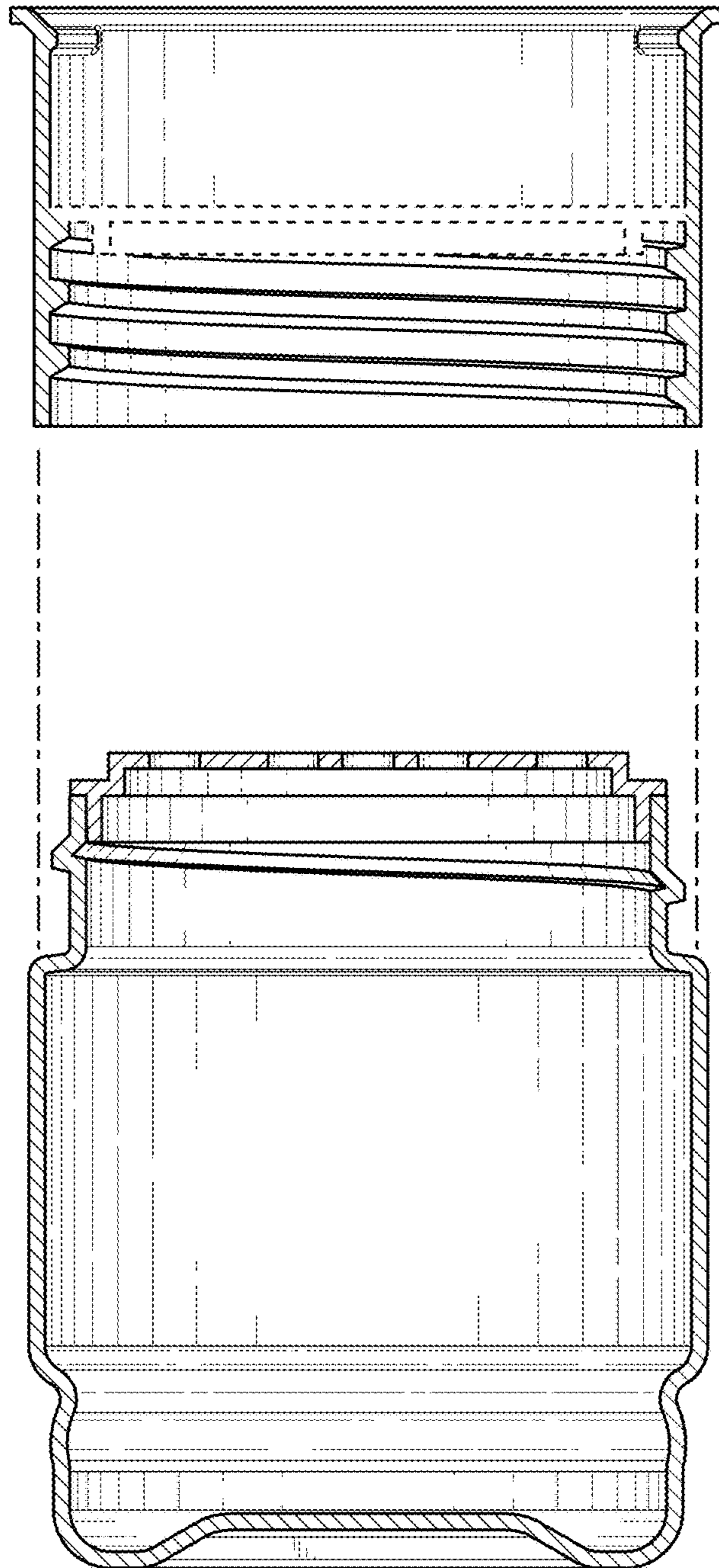


FIG. 5A

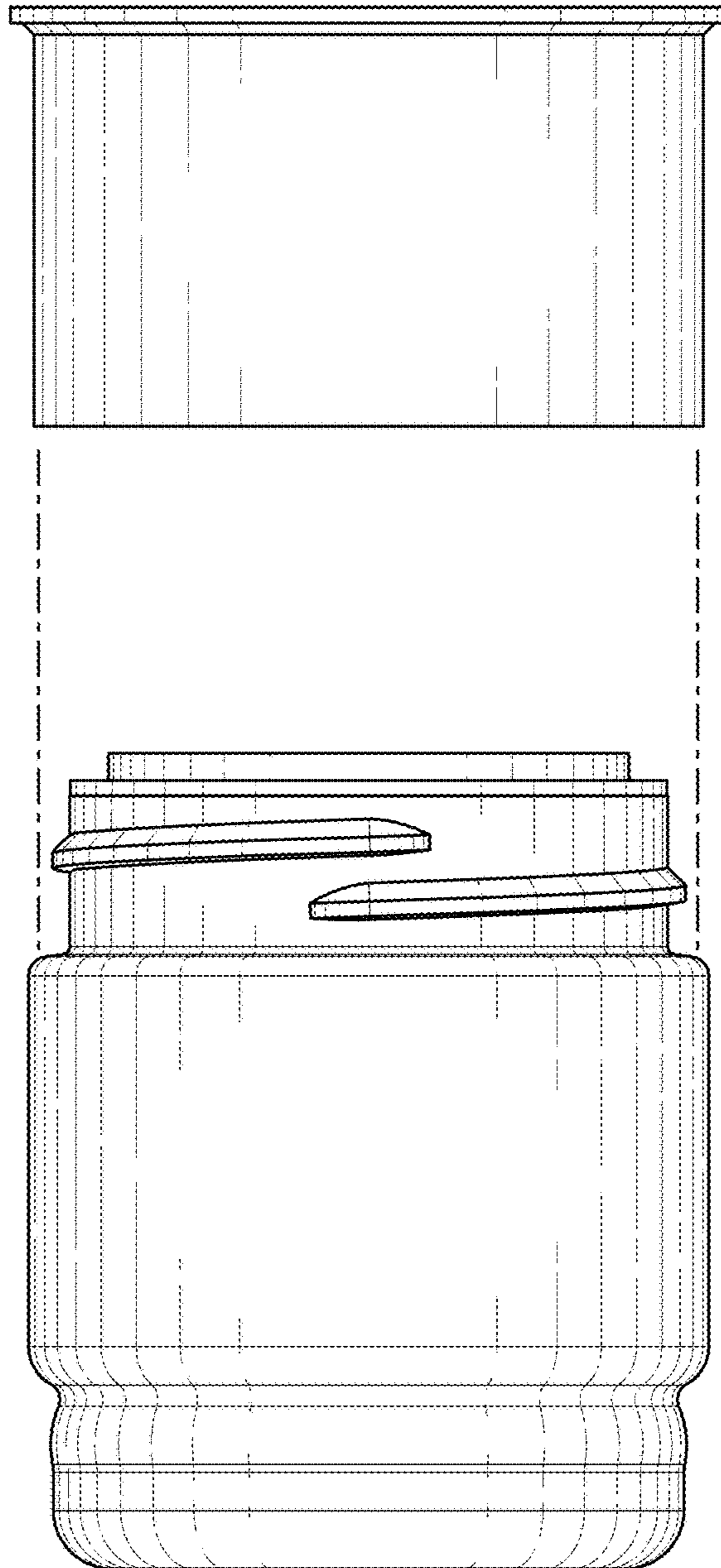


FIG. 6

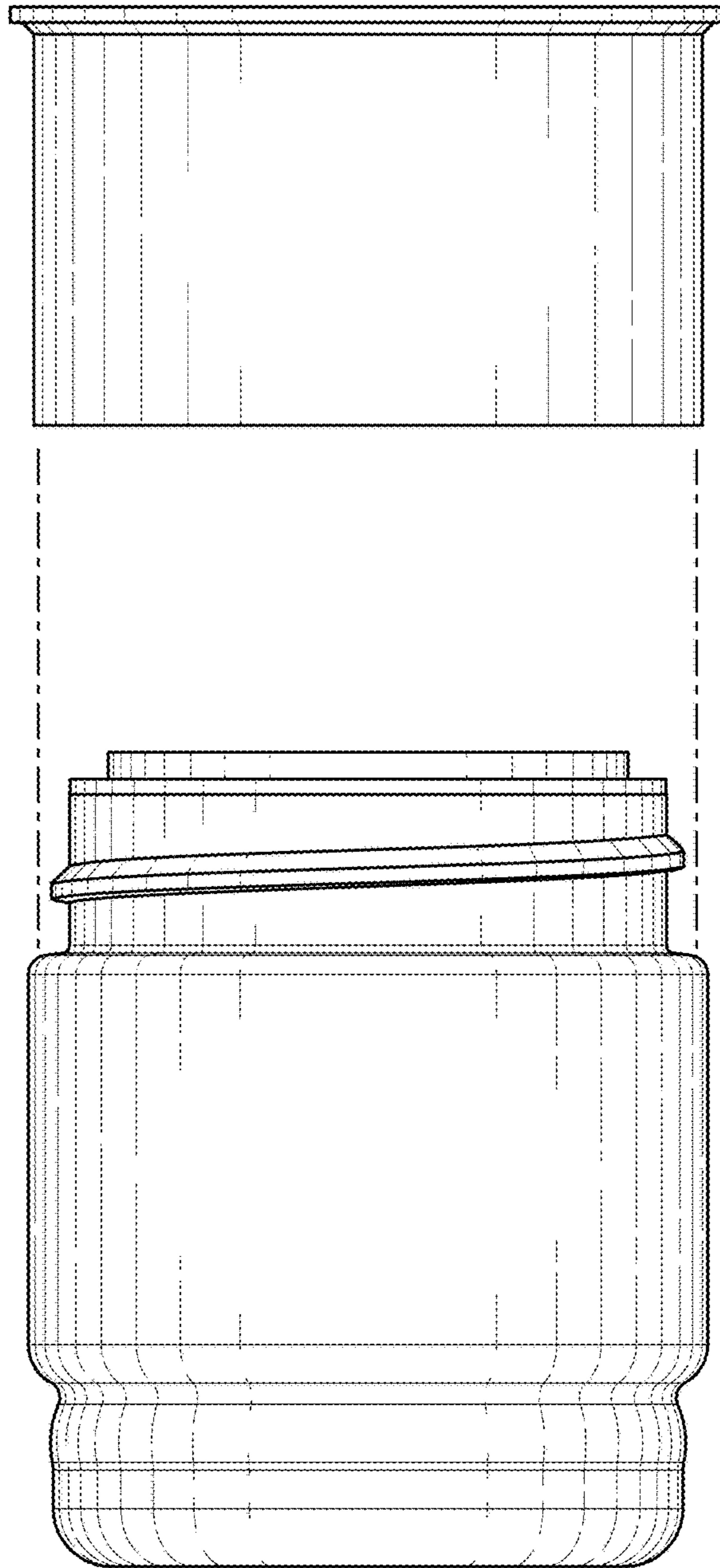


FIG. 7

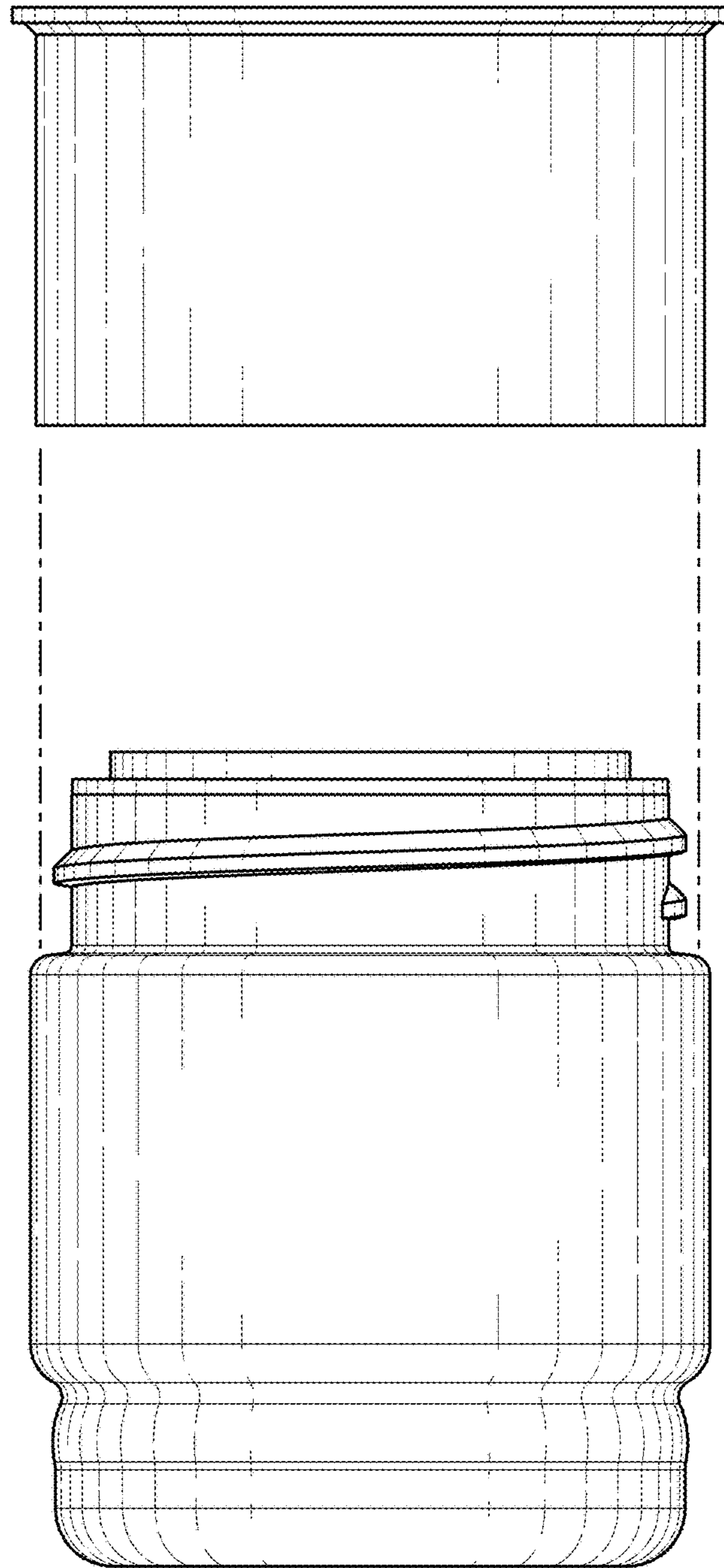


FIG. 8

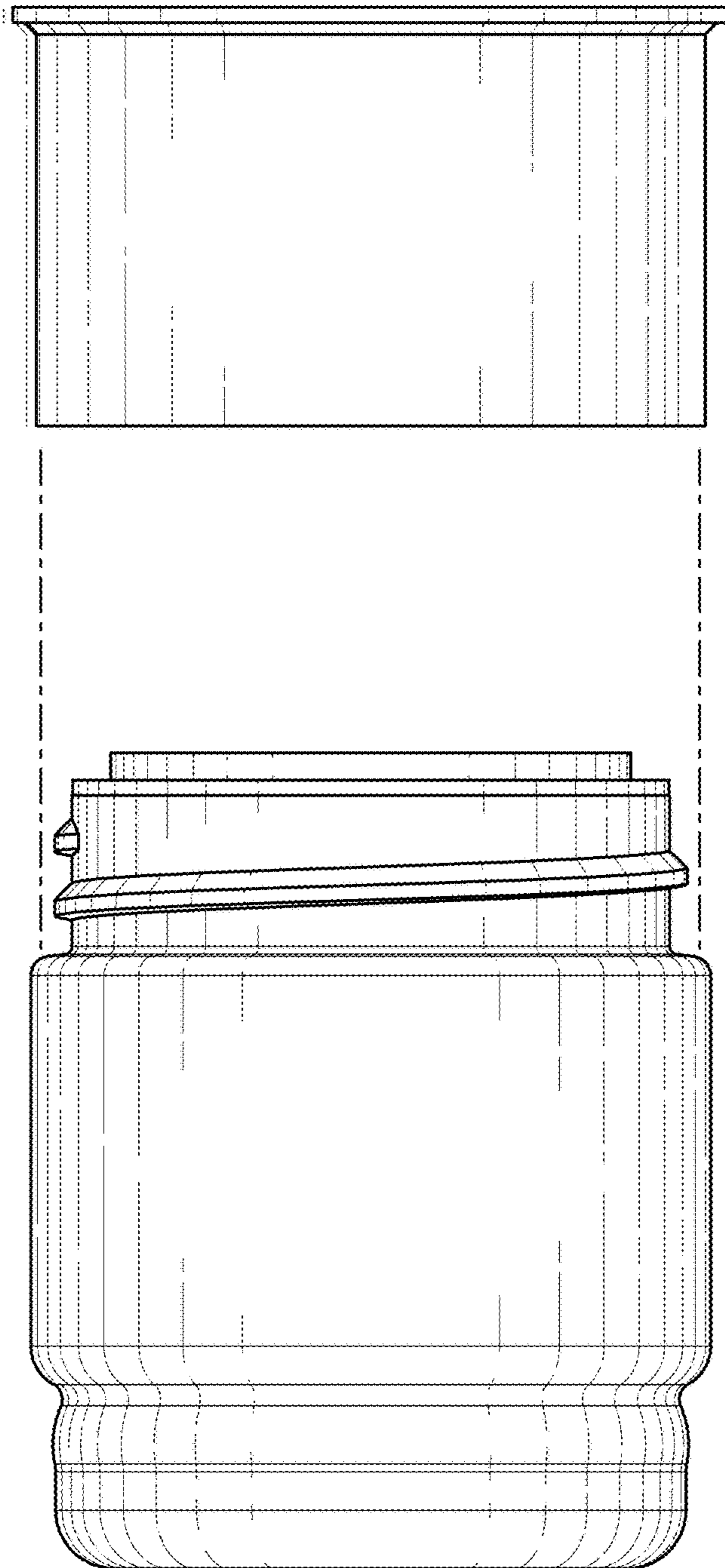


FIG. 9

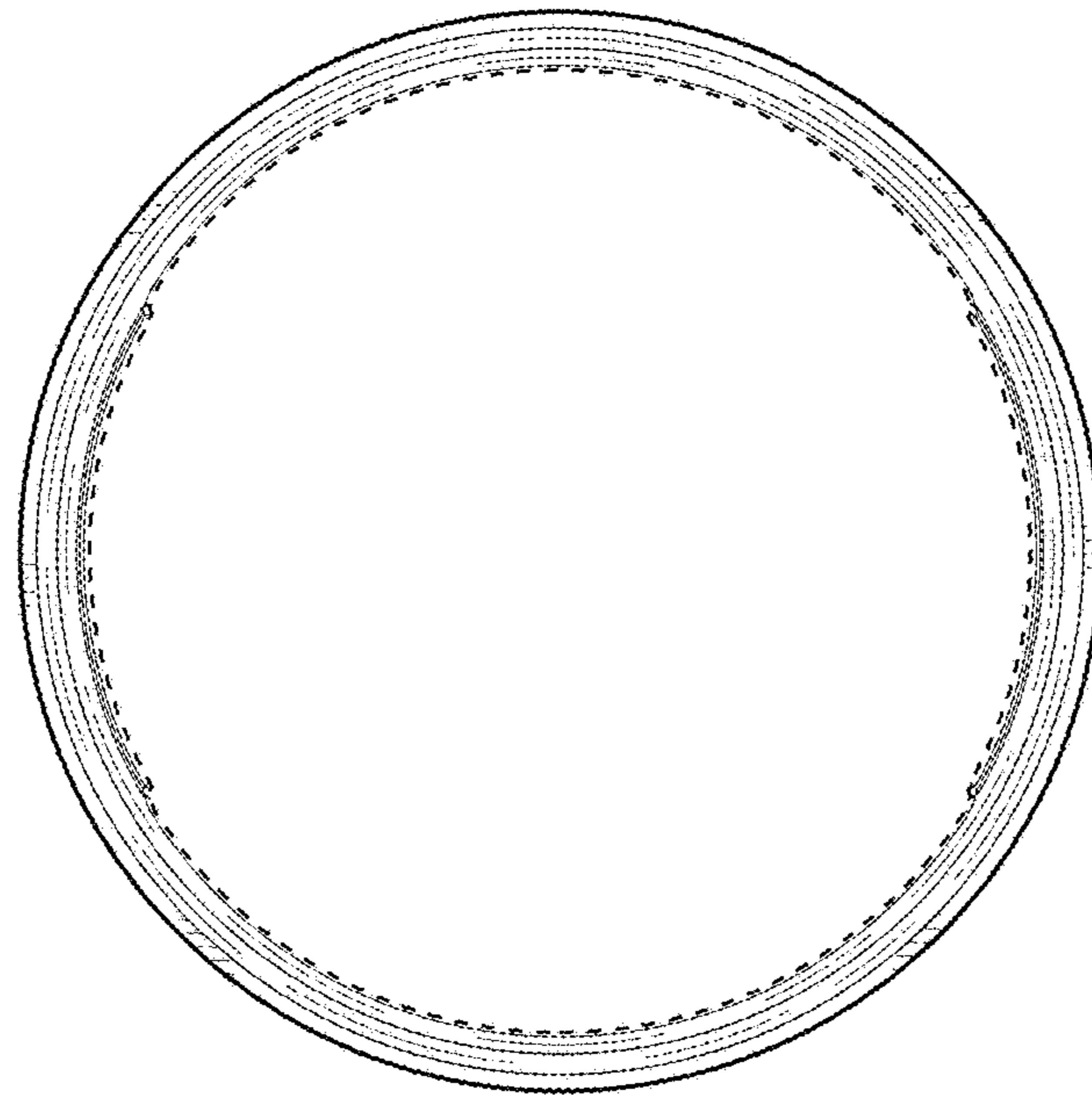


FIG. 10

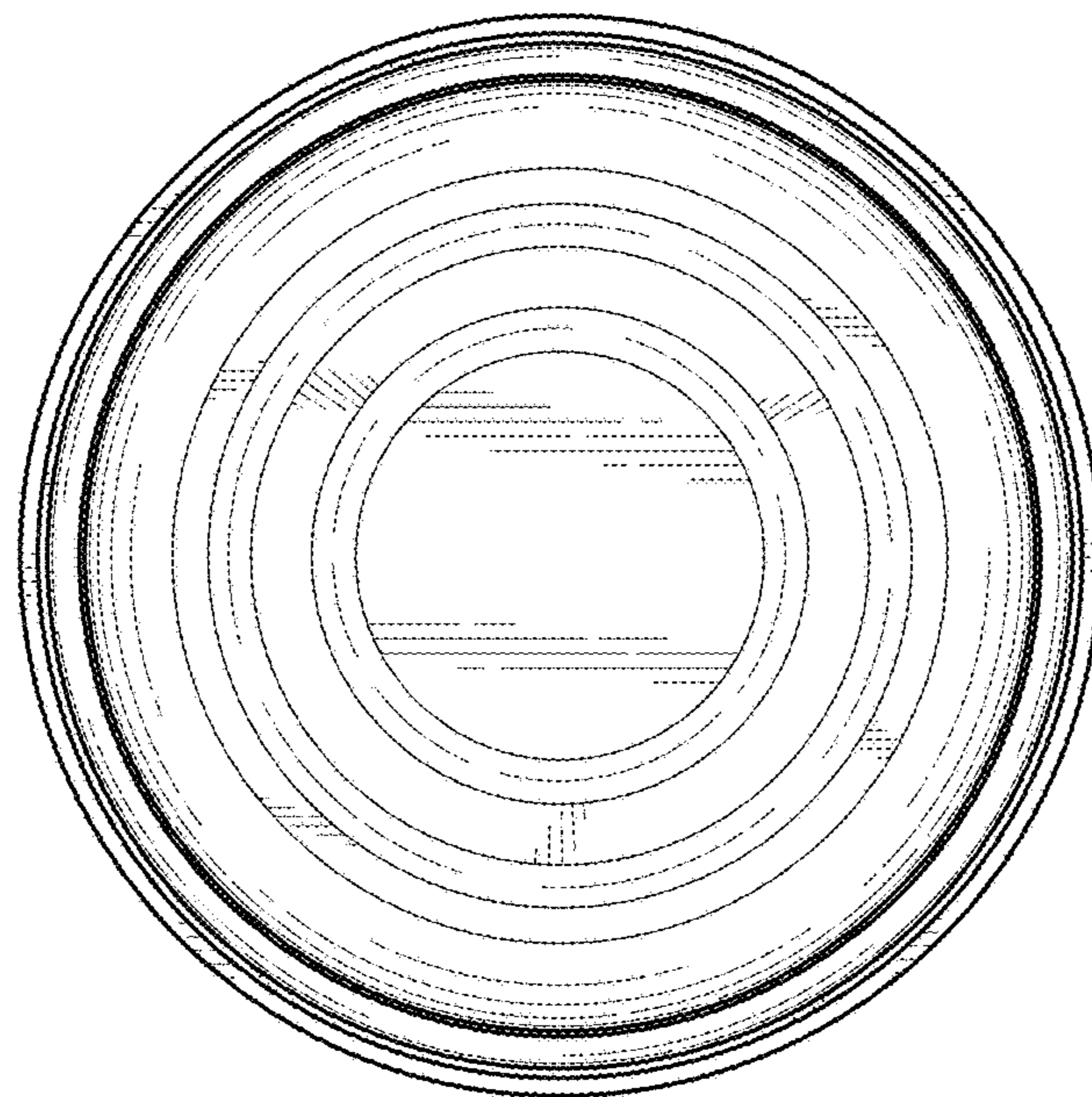


FIG. 11