



US00D841467S

(12) **United States Design Patent** (10) **Patent No.:** **US D841,467 S**
Zimmerman et al. (45) **Date of Patent:** **** Feb. 26, 2019**

(54) **BOTTLE**
(71) Applicant: **Kraft Foods Group Brands LLC**,
Chicago, IL (US)
(72) Inventors: **Daniel M. Zimmerman**, Chicago, IL
(US); **Adam Ferguson**, Chicago, IL
(US); **Norberto Hernandez**,
Manchester, MI (US)
(73) Assignee: **Kraft Foods Group Brands LLC**,
Chicago, IL (US)

D330,859 S 11/1992 Schaeffer
D332,053 S 12/1992 Sabbia
D353,998 S 1/1995 Kotyuk, Jr.
D355,601 S 2/1995 Buettner et al.
D357,628 S 4/1995 Vasas
D365,759 S 1/1996 Otani et al.
D384,236 S 9/1997 Douer
D385,194 S 10/1997 Robbins, III
D392,893 S 3/1998 Kuzma et al.
D411,750 S 6/1999 Forecast et al.
D412,806 S 8/1999 Pierce
D415,934 S 11/1999 Wallays
D416,807 S 11/1999 Varlet
D418,061 S 12/1999 Starker

(Continued)

(**) Term: **15 Years**

(21) Appl. No.: **29/584,380**

(22) Filed: **Nov. 14, 2016**

(51) **LOC (11) Cl.** **09-01**

(52) **U.S. Cl.**
USPC **D9/502; D9/454; D9/503; D9/504;**
D9/547

(58) **Field of Classification Search**
USPC **D9/434-435, 447, 449, 454, 500,**
D9/502-504, 516, 530, 537, 539, 547,
D9/549, 557-558, 715, 719; D7/300,
D7/300.1

See application file for complete search history.

(56) **References Cited**

U.S. PATENT DOCUMENTS

1,450,279 A 4/1923 Chick
D198,054 S 4/1964 Lowry
D198,509 S 6/1964 Stengle, Jr. et al.
D206,628 S 1/1967 Anderson
D217,806 S * 6/1970 Kassin D9/500
D266,647 S * 10/1982 Plewes D9/500
D304,551 S * 11/1989 Desgrippes D9/556
D330,589 S 10/1992 Ben-Uri

FOREIGN PATENT DOCUMENTS

CA 127012 3/2009
CA 139375 9/2011

(Continued)

Primary Examiner — Dana Meyrow

(74) *Attorney, Agent, or Firm* — Fitch, Even, Tabin &
Flannery LLP

(57) **CLAIM**

The ornamental design for a bottle, as shown and described.

DESCRIPTION

FIG. 1 is a perspective view of a bottle showing our new design.

FIG. 2 is a left side elevation view thereof.

FIG. 3 is a right side elevation view thereof.

FIG. 4 is a front elevation view thereof.

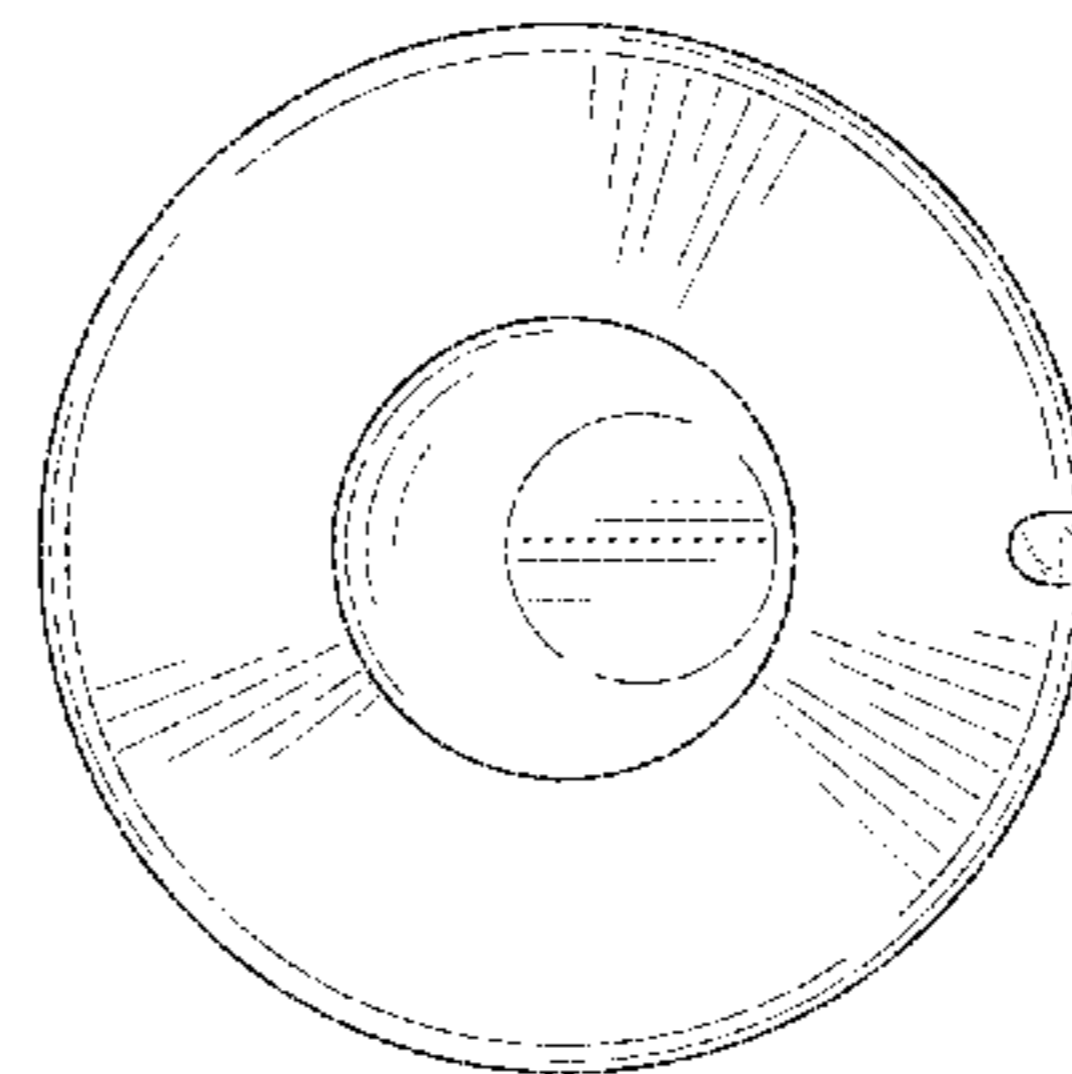
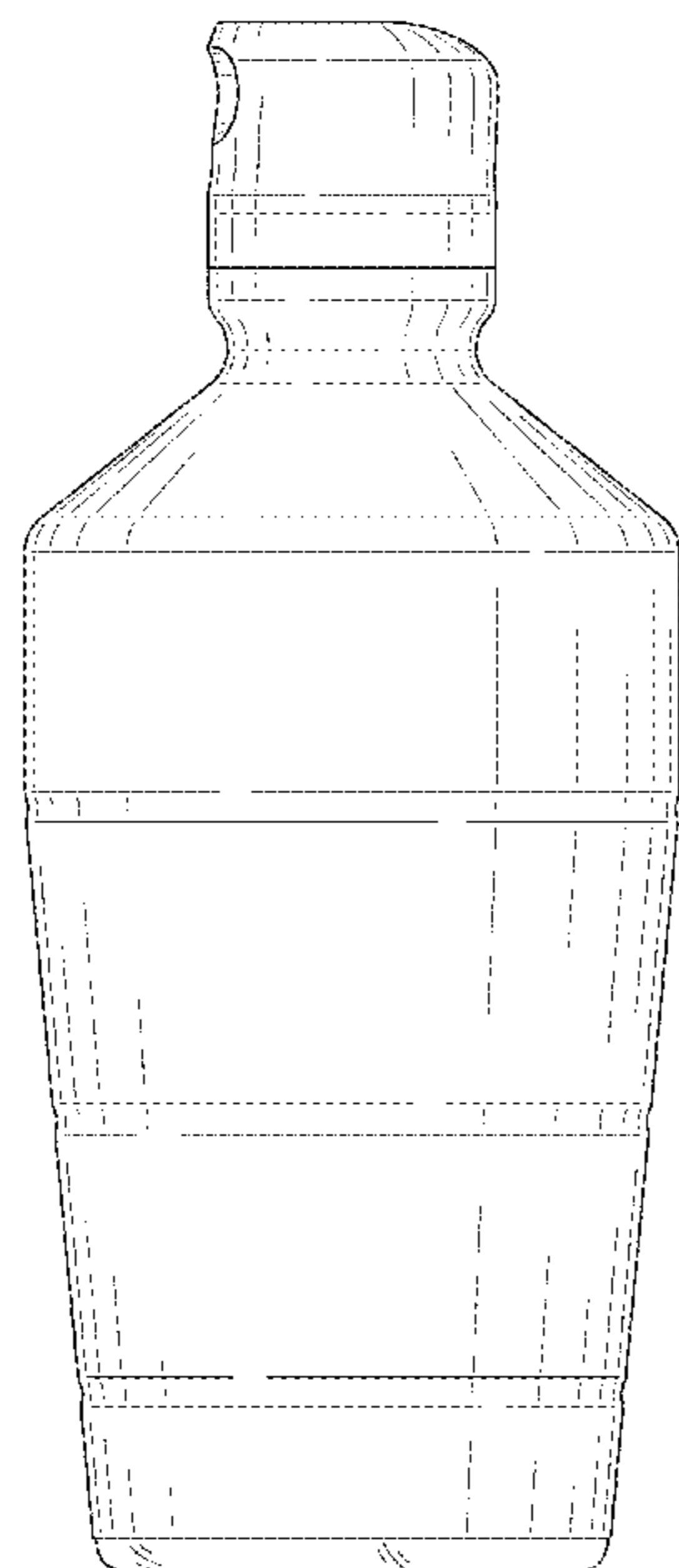
FIG. 5 is a rear elevation view thereof.

FIG. 6 is a top plan view thereof; and,

FIG. 7 is a bottom plan view thereof.

The broken lines in the drawings illustrate the portions of the bottle that form no part of the claim.

1 Claim, 4 Drawing Sheets



(56)

References Cited

U.S. PATENT DOCUMENTS

D427,910 S 7/2000 Barnes et al.
 D429,593 S 8/2000 Thuma
 D433,339 S 11/2000 Colonna de Giovellina
 D438,116 S 2/2001 Nosella
 D444,388 S 7/2001 Bakic
 D447,419 S 9/2001 Jaketic
 D456,704 S 5/2002 Ranchetti
 D461,417 S 8/2002 Jerome
 D463,734 S 10/2002 Gobe
 D467,181 S 12/2002 Versace
 D473,460 S 4/2003 Whitworth
 D475,615 S 6/2003 Podlucky
 D477,230 S 7/2003 Takaichi
 D480,590 S 10/2003 Linz et al.
 D482,794 S 11/2003 Whitley
 D483,981 S 12/2003 Linz et al.
 D483,982 S 12/2003 Irvine
 D489,627 S 5/2004 Klitsner et al.
 D493,327 S 7/2004 Marsden et al.
 D498,681 S 11/2004 Fenton et al.
 D499,342 S 12/2004 Klitsner et al.
 D508,856 S 8/2005 Boon et al.
 D510,497 S 10/2005 Hou
 D518,734 S 4/2006 Boon et al.
 D536,974 S * 2/2007 Smith D9/435
 D536,976 S 2/2007 Ciulla et al.
 D536,986 S 2/2007 Nix et al.
 D539,161 S 3/2007 Cornet et al.
 D554,518 S 11/2007 Cornet et al.
 D554,519 S 11/2007 Varlet
 D576,040 S 9/2008 Martins, Jr.
 D581,287 S 11/2008 Tran et al.
 D581,803 S 12/2008 Lepoitevin
 D583,240 S 12/2008 Bourne
 D583,671 S 12/2008 Bourne
 D584,153 S 1/2009 Bourne
 D584,624 S 1/2009 Bourne
 D584,947 S 1/2009 Bourne
 D587,123 S 2/2009 Bourne
 D587,124 S 2/2009 Bourne
 D587,125 S 2/2009 Bourne
 D589,353 S 3/2009 Bourne
 D592,906 S 5/2009 Allen et al.
 D593,865 S 6/2009 Bourne
 D594,751 S 6/2009 Bourne
 D599,673 S 9/2009 Bourne
 D604,984 S 12/2009 Kalamaras
 D605,948 S 12/2009 Sposato

D608,203 S 1/2010 Yourist
 D609,103 S 2/2010 Marold et al.
 D626,411 S * 11/2010 Lohrman D9/449
 D631,357 S 1/2011 Pagliaro
 D641,629 S 7/2011 Miceli et al.
 D643,743 S 8/2011 Yu
 D644,515 S 9/2011 Tieleman et al.
 D645,746 S 9/2011 Yu
 D650,690 S 12/2011 Guglielmo et al.
 D652,720 S 1/2012 Pelkey
 D653,120 S 1/2012 Dombrowski et al.
 D657,245 S 4/2012 Delbon
 D661,583 S * 6/2012 Santarelli D9/449
 D666,914 S 9/2012 Elstow et al.
 D667,306 S 9/2012 Verea
 D671,005 S 11/2012 Prathummek
 D677,569 S 3/2013 Lemaitre
 D704,558 S * 5/2014 Weiss D9/500
 D704,559 S * 5/2014 Weiss D9/500
 D705,063 S * 5/2014 Weiss D9/500
 D705,065 S 5/2014 Egret
 D711,748 S * 8/2014 Hwang D9/691
 D725,953 S 4/2015 Gamelli et al.
 D727,671 S 4/2015 Gamelli
 D739,759 S 9/2015 Warner et al.
 D740,663 S 10/2015 Zeboudj
 D744,835 S 12/2015 Warner et al.
 D746,685 S 1/2016 Foley
 D746,686 S 1/2016 Yourist
 D746,687 S 1/2016 Yourist
 D746,688 S 1/2016 Yourist
 D754,999 S 5/2016 Gamelli
 D755,049 S 5/2016 Clark et al.
 D755,635 S 5/2016 Minorini
 D756,716 S 5/2016 Hewitt et al.
 D761,607 S 7/2016 Gamelli et al.
 D761,608 S 7/2016 Gamelli et al.
 D761,609 S 7/2016 Gamelli et al.
 D762,480 S 8/2016 Yourist
 D767,930 S 10/2016 Gamelli et al.
 D805,902 S * 12/2017 Warner D9/502
 D805,903 S * 12/2017 Warner D9/502
 2013/0126369 A1 5/2013 Gamelli
 2013/0134124 A1 5/2013 Rashid et al.

FOREIGN PATENT DOCUMENTS

CA 156974 5/2015
 WO 2013074950 A1 5/2013

* cited by examiner

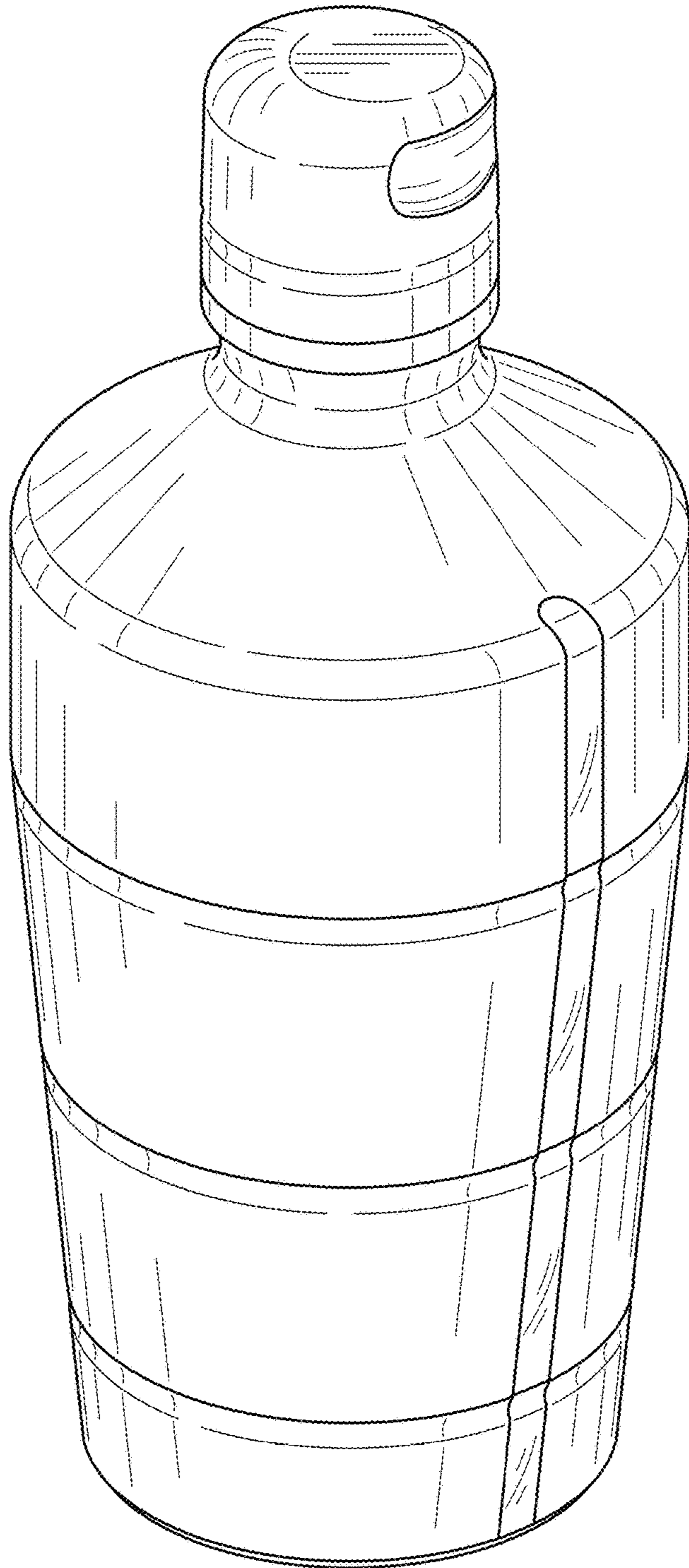


FIG. 1

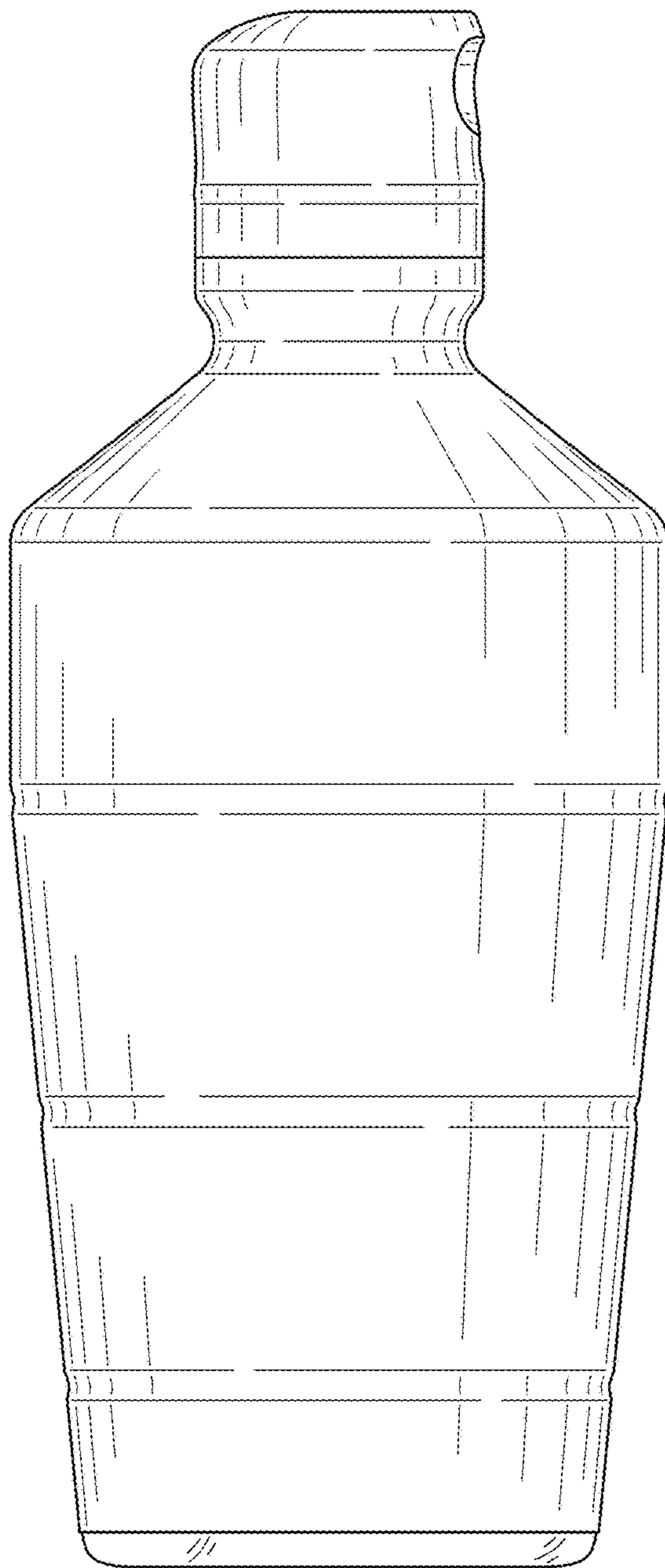


FIG. 2

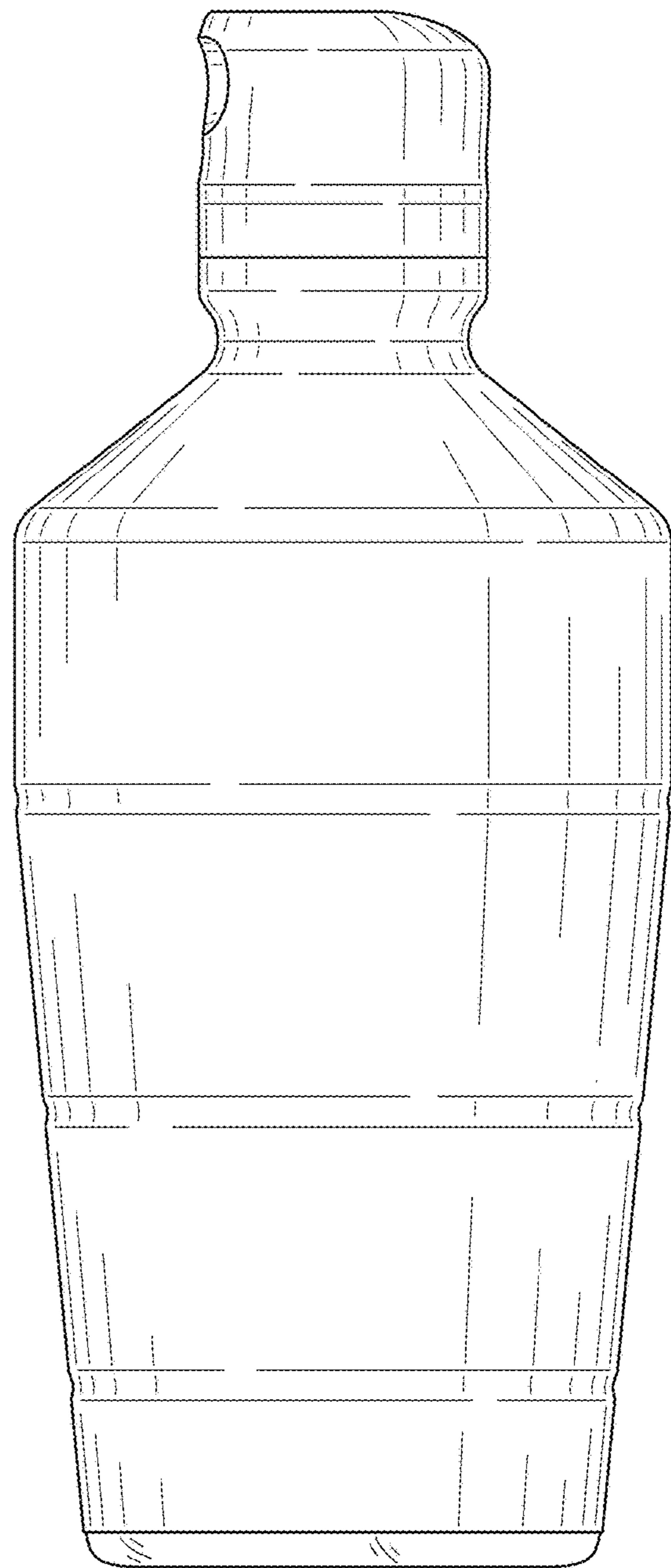


FIG. 3

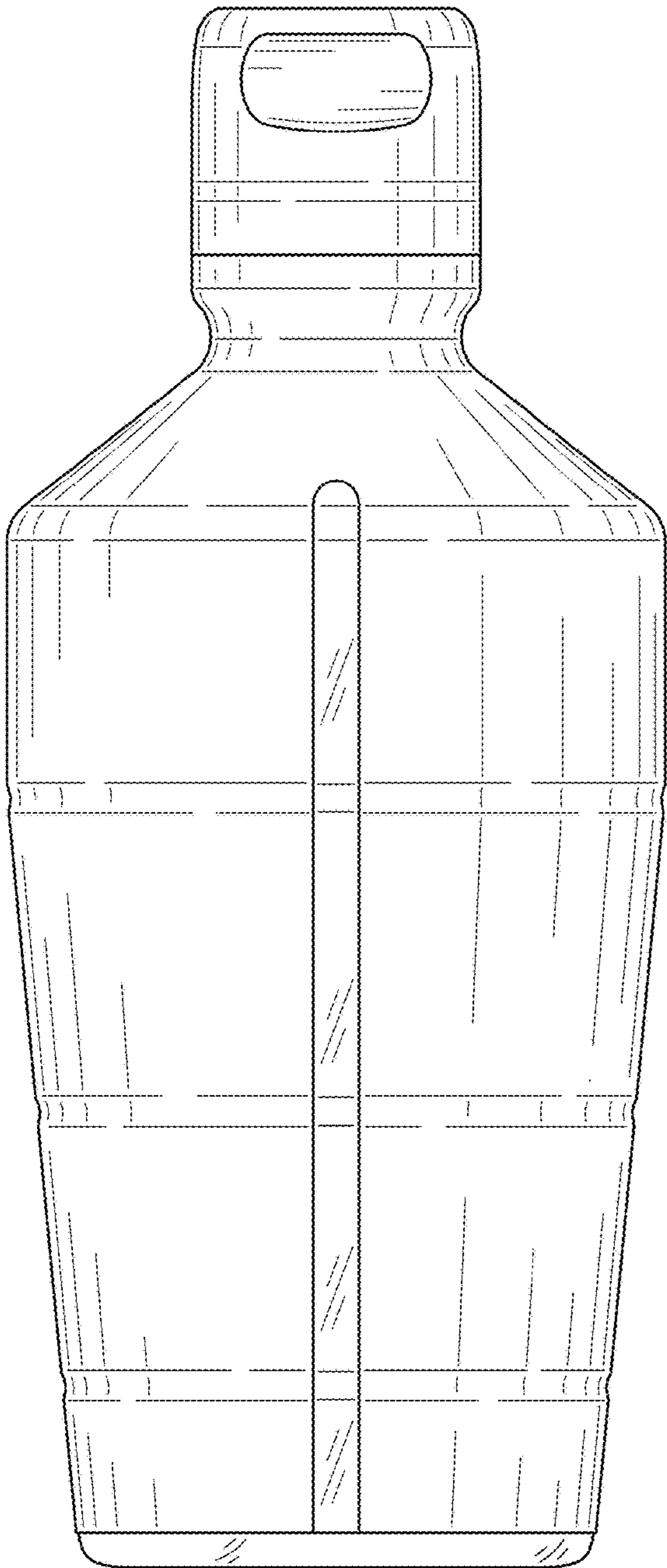


FIG. 4

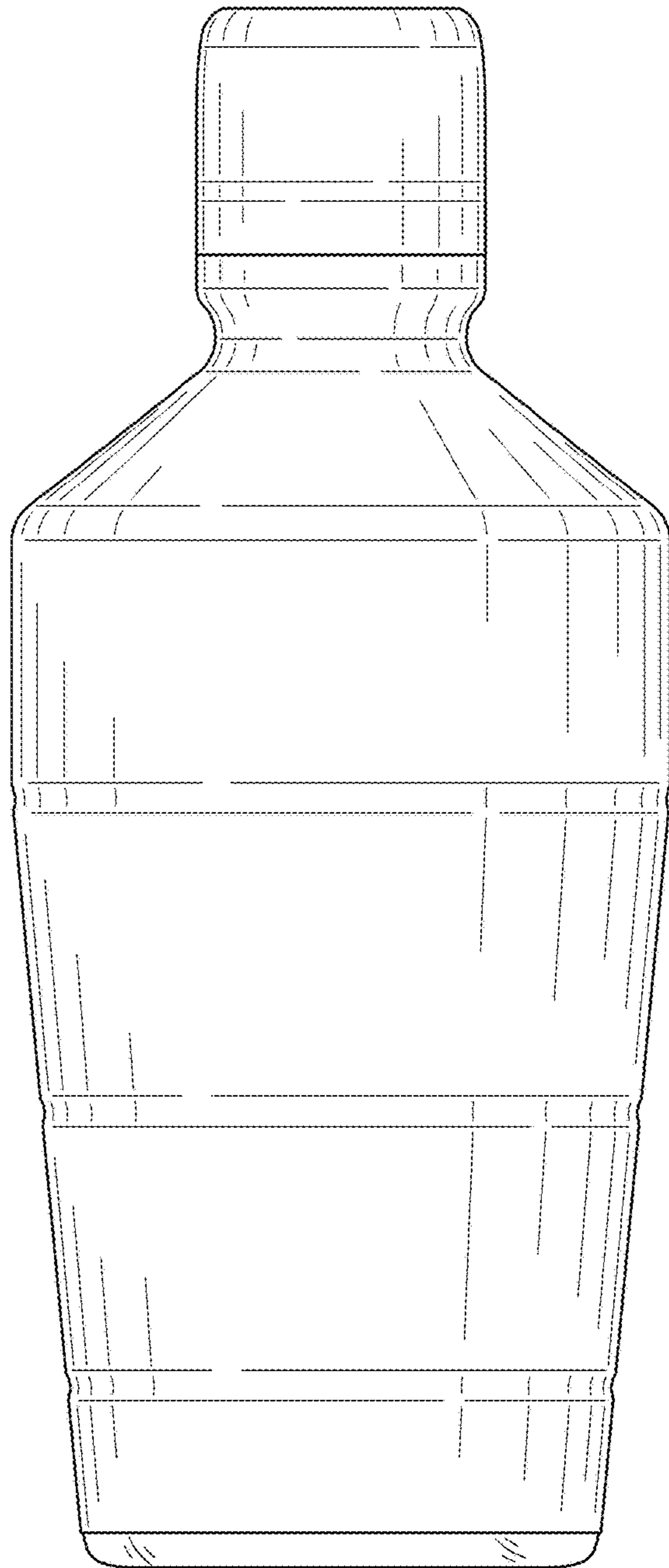


FIG. 5

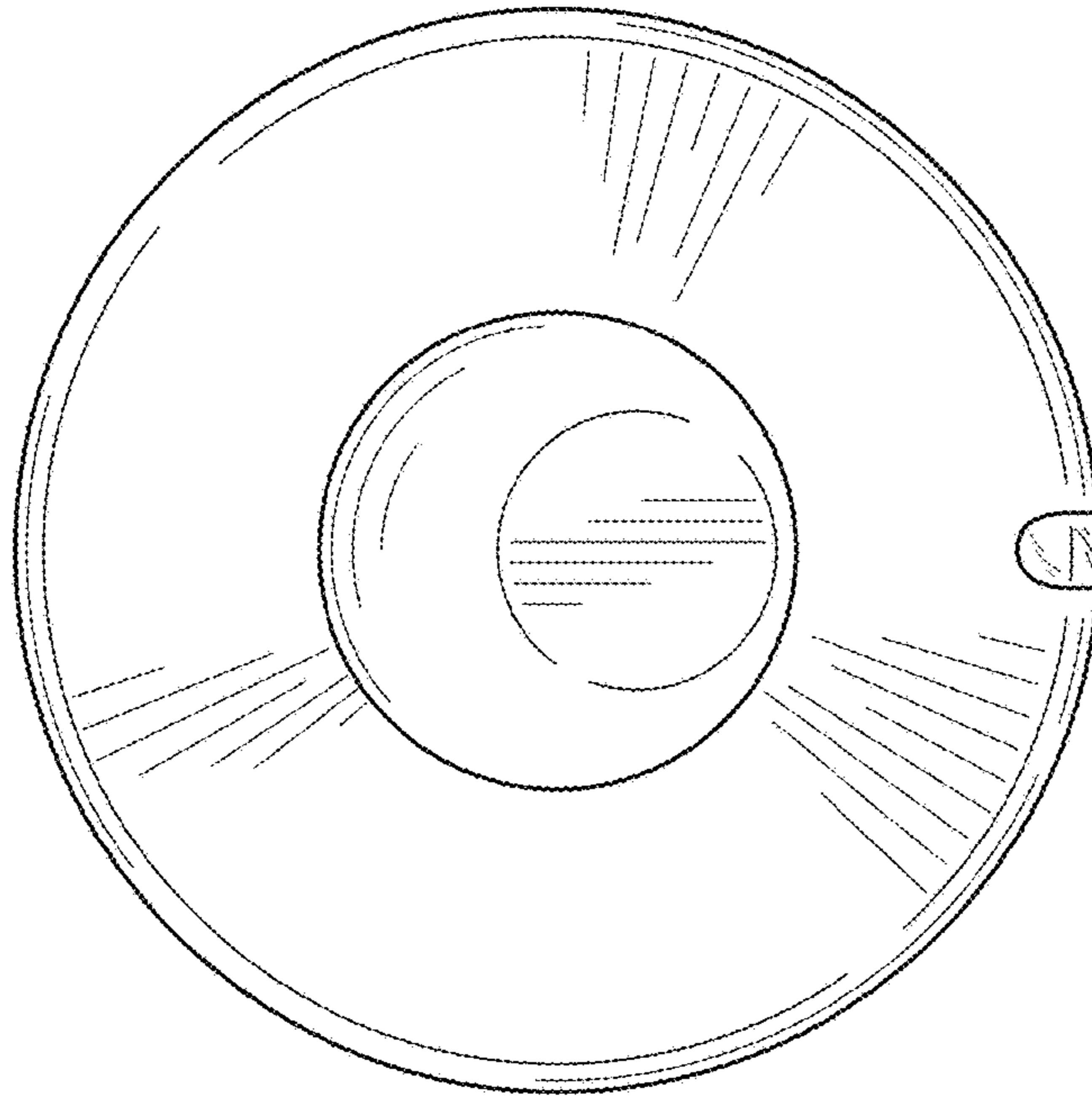


FIG. 6

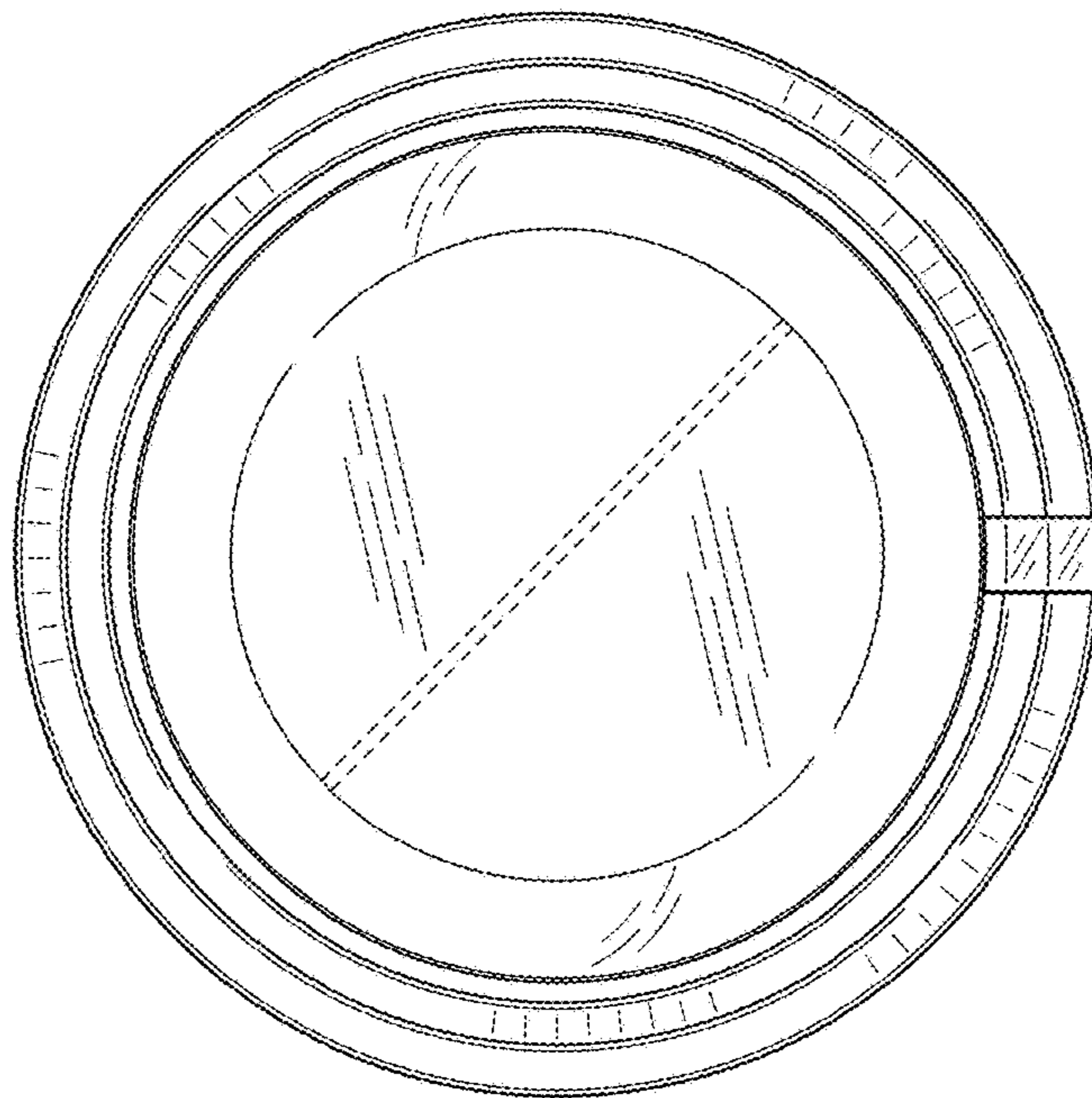


FIG. 7