

US00D841466S

(12) **United States Design Patent**
Zheng

(10) **Patent No.:** **US D841,466 S**

(45) **Date of Patent:** **** Feb. 26, 2019**

(54) **CONTAINER LID**

(71) Applicant: **Yiguang Zheng**, Shantou (CN)

(72) Inventor: **Yiguang Zheng**, Shantou (CN)

(**) Term: **15 Years**

(21) Appl. No.: **29/606,959**

(22) Filed: **Jun. 8, 2017**

(30) **Foreign Application Priority Data**

Dec. 8, 2016 (CN) 2016 3 0601605

(51) **LOC (11) Cl.** **09-07**

(52) **U.S. Cl.**
USPC **D9/453**

(58) **Field of Classification Search**
USPC D3/202; D7/392, 392.1, 396.2, 511, 601,
D7/602, 619.1, 620-622; D9/434-436,
D9/438, 440, 443, 447, 452-454, 499;
D8/382, 384, 385, 387, 394, 396-399;
D21/498-500, 504, 505; D23/262, 264,
D23/269, 390
CPC B65D 41/34; B65D 41/3438; B65D
41/0471; B65D 47/12; B65D 47/122;
B65D 51/1688; B65D 7/06; B65D 79/02;
B65D 41/0485; B65D 51/243
See application file for complete search history.

(56) **References Cited**

U.S. PATENT DOCUMENTS

D3,357 S *	2/1869	Pratt	D9/434
D208,522 S *	9/1967	Graham	D23/262
D263,678 S *	4/1982	Dewey	411/531
D263,927 S *	4/1982	Dewey	411/531
D263,928 S *	4/1982	Dewey	411/531
D282,044 S *	1/1986	McClelland	D7/391
D371,828 S *	7/1996	Priest	D23/269
D403,582 S *	1/1999	Nask	D9/435

D451,375 S *	12/2001	Shinjo	D8/397
D451,376 S *	12/2001	Shinjo	D8/397
D491,063 S *	6/2004	Hicks	D9/443
6,811,047 B1 *	11/2004	Hicks	B65D 41/0421 215/305
D540,669 S *	4/2007	George	D7/392.1
D551,960 S *	10/2007	Shinjo	D8/397
D579,332 S *	10/2008	Krivoshein	D9/443
D655,158 S *	3/2012	Drozek	D9/435
D712,256 S *	9/2014	Humm	D9/447

(Continued)

OTHER PUBLICATIONS

Money Saving Mom. Do-It-Yourself Reusable Baby Food Pouches. Dec. 10, 2013 [earliest online date], [site visited Feb. 1, 2018]. Available from Internet, <URL:http://moneysavingmom.com/2013/12/diy-reusable-baby-food-pouches.html>. (Year: 2013).*

(Continued)

Primary Examiner — George D. Kirschbaum
Assistant Examiner — Darcey E Hefflin
(74) *Attorney, Agent, or Firm* — Gokalp Bayramoglu

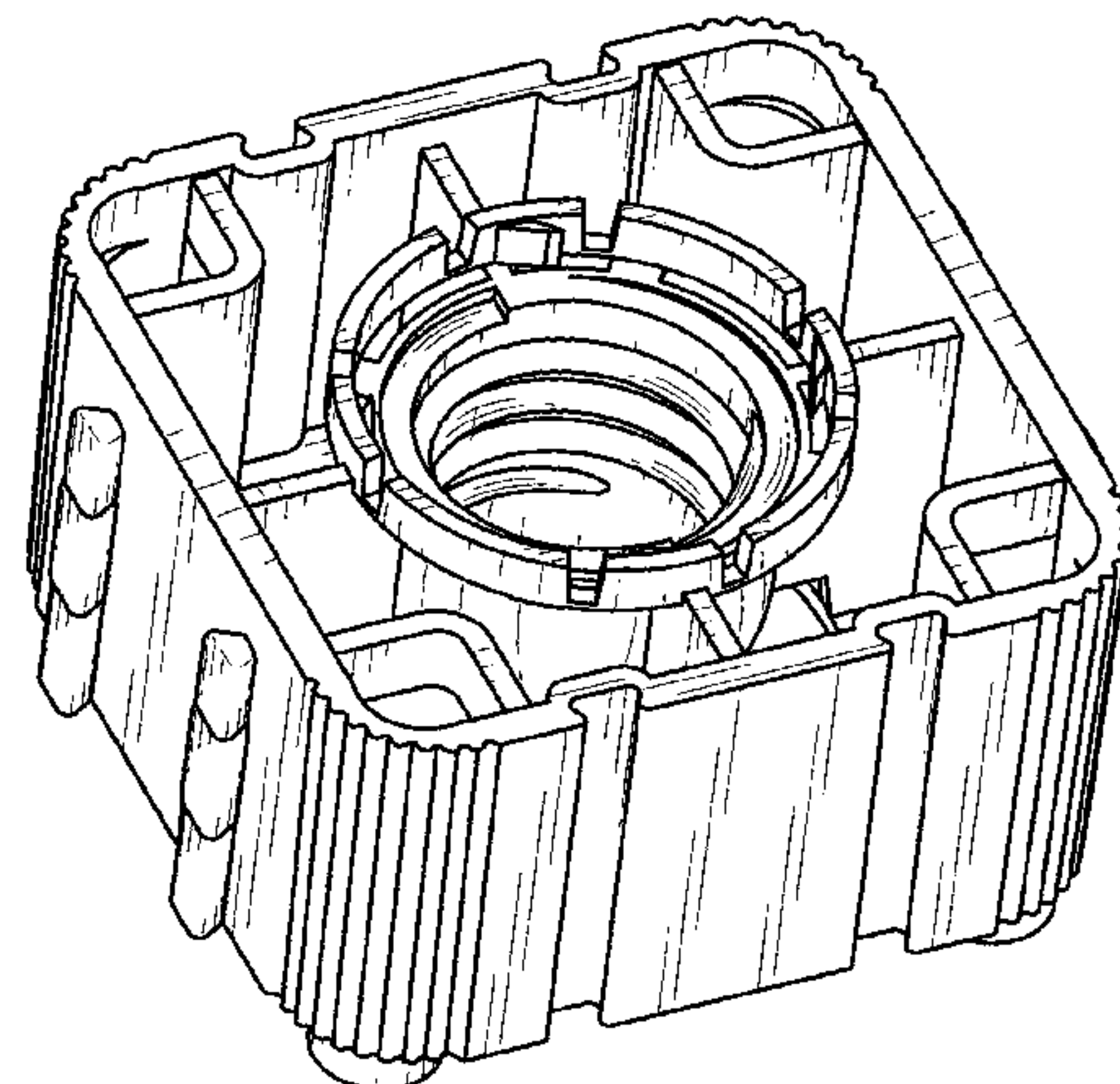
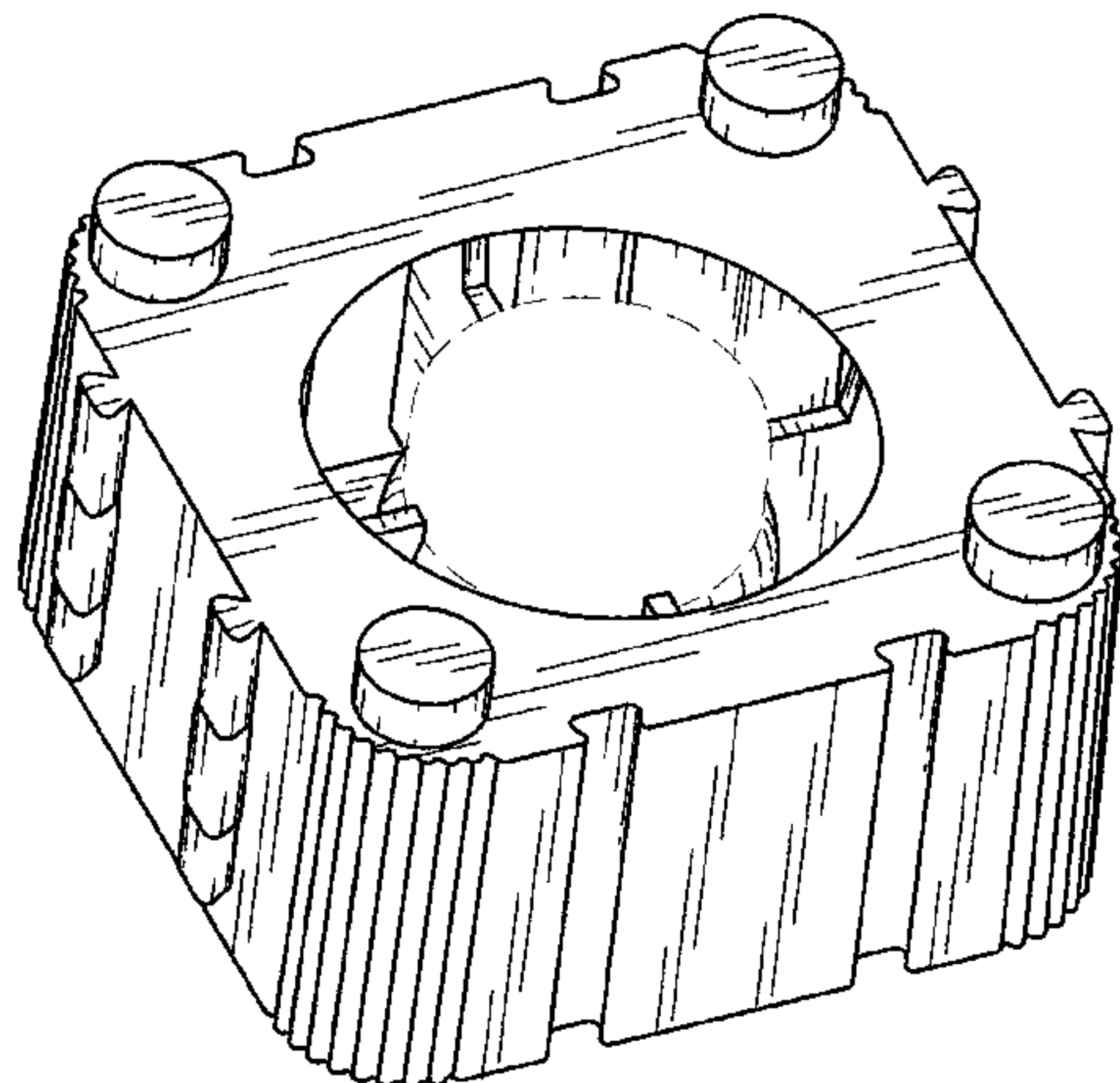
(57) **CLAIM**

The ornamental design for container lid, as shown and described.

DESCRIPTION

FIG. 1 is a front elevational view of a container lid showing my new design;
FIG. 2 is a rear elevational view thereof;
FIG. 3 is a left side view thereof;
FIG. 4 is a right side view thereof;
FIG. 5 is a top plan view thereof;
FIG. 6 is a bottom plan view thereof;
FIG. 7 is a perspective view thereof; and,
FIG. 8 is another perspective view thereof.
The broken lines depict portions of the container lid that form no part of the claimed design.

1 Claim, 8 Drawing Sheets



(56)

References Cited

U.S. PATENT DOCUMENTS

D759,471 S * 6/2016 Lee D8/382
D765,508 S * 9/2016 Wu D9/439
D775,952 S * 1/2017 Kim D9/452
2016/0280427 A1* 9/2016 Wu B65D 39/12

OTHER PUBLICATIONS

Etsy. Hexagon Concrete Box with Walnut lid/ Minimalist Home Decor/Jewelry Box. Jan. 9, 2018 [earliest online date], [site visited Feb. 14, 2018]. Available from Internet, <URL:https://www.etsy.com/listing/198984215/hexagon-concrete-box-with-walnut-lid>. (Year: 2018).*

* cited by examiner

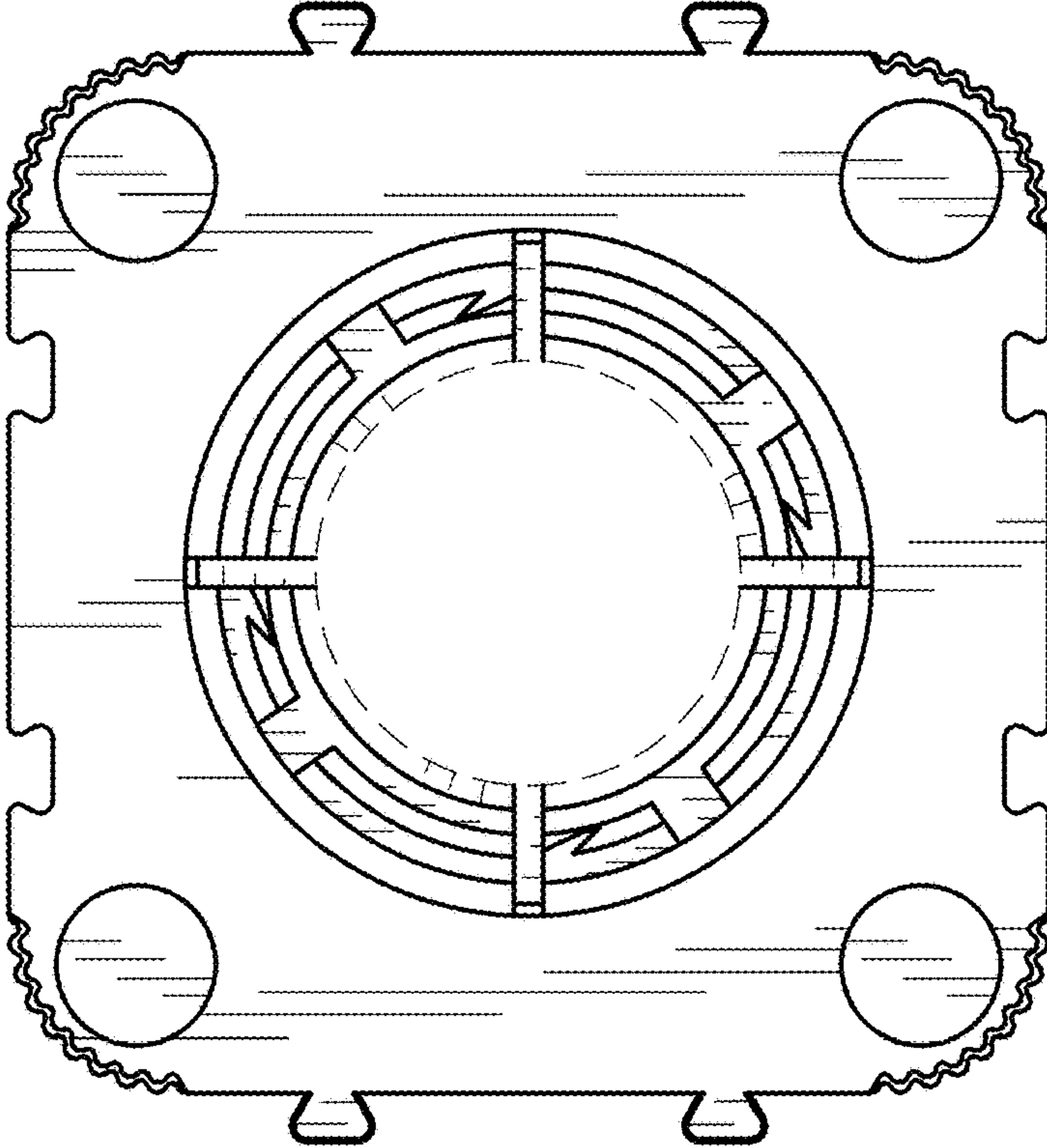


FIG. 1

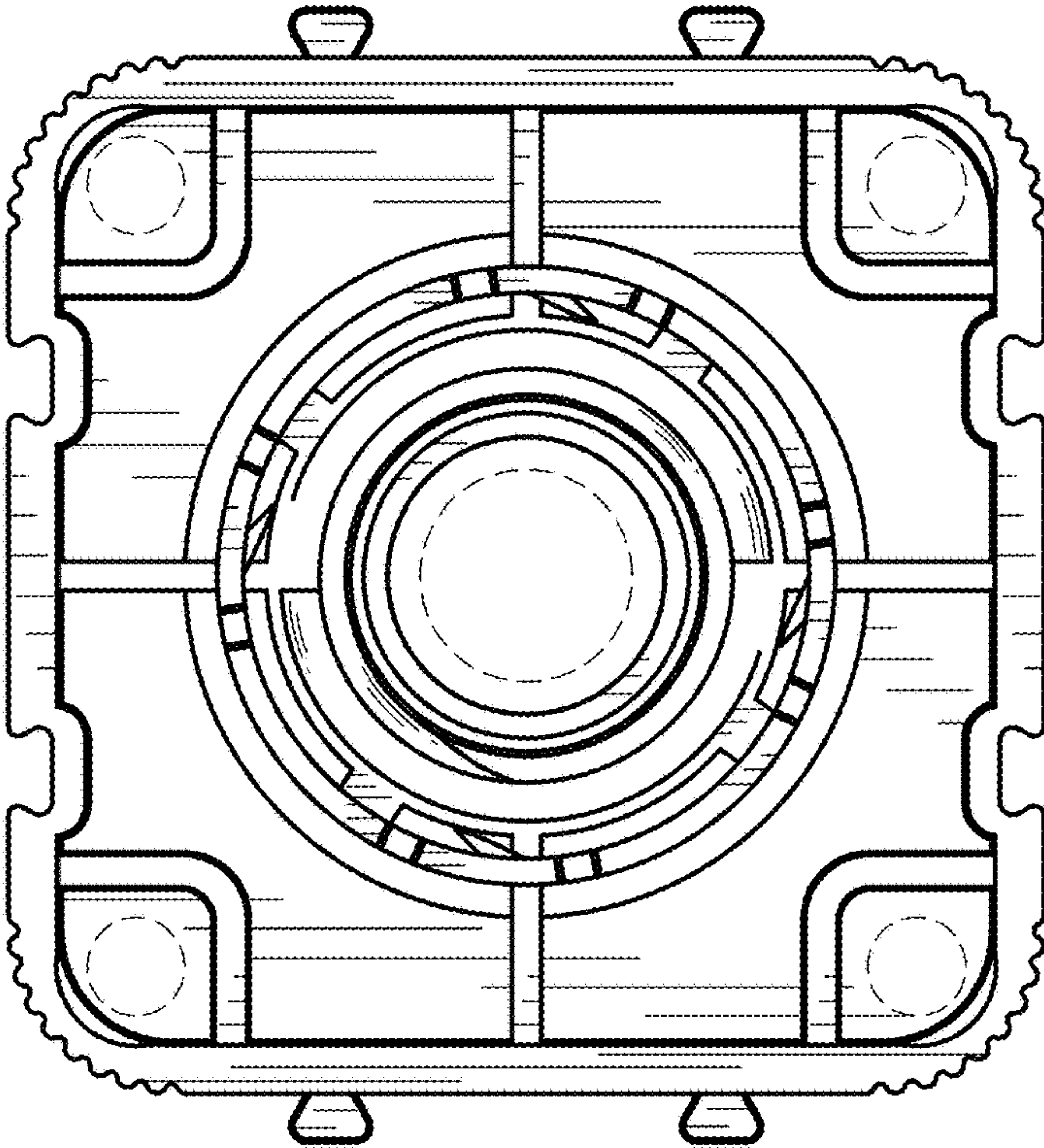


FIG. 2

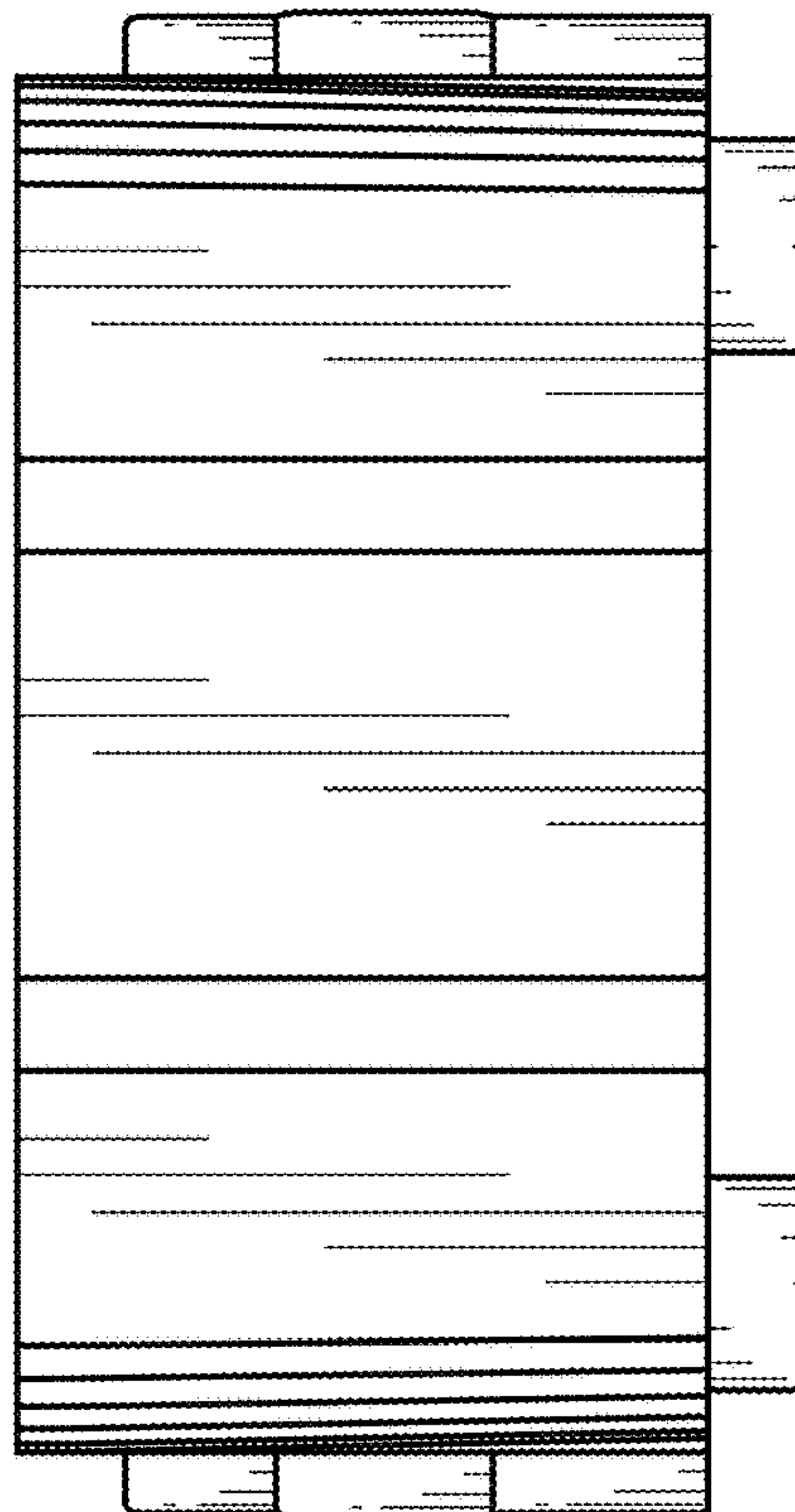


FIG. 3

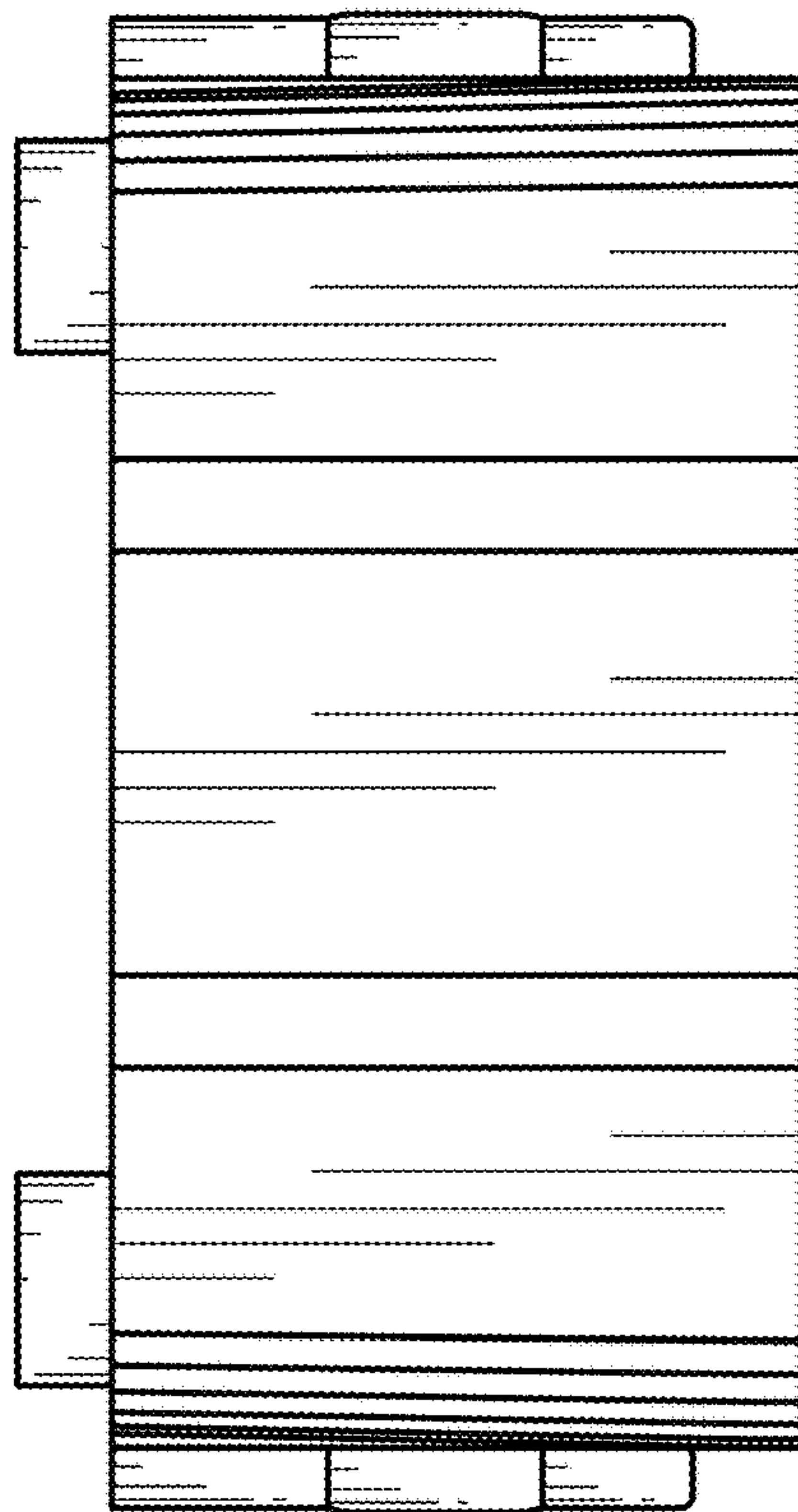


FIG. 4

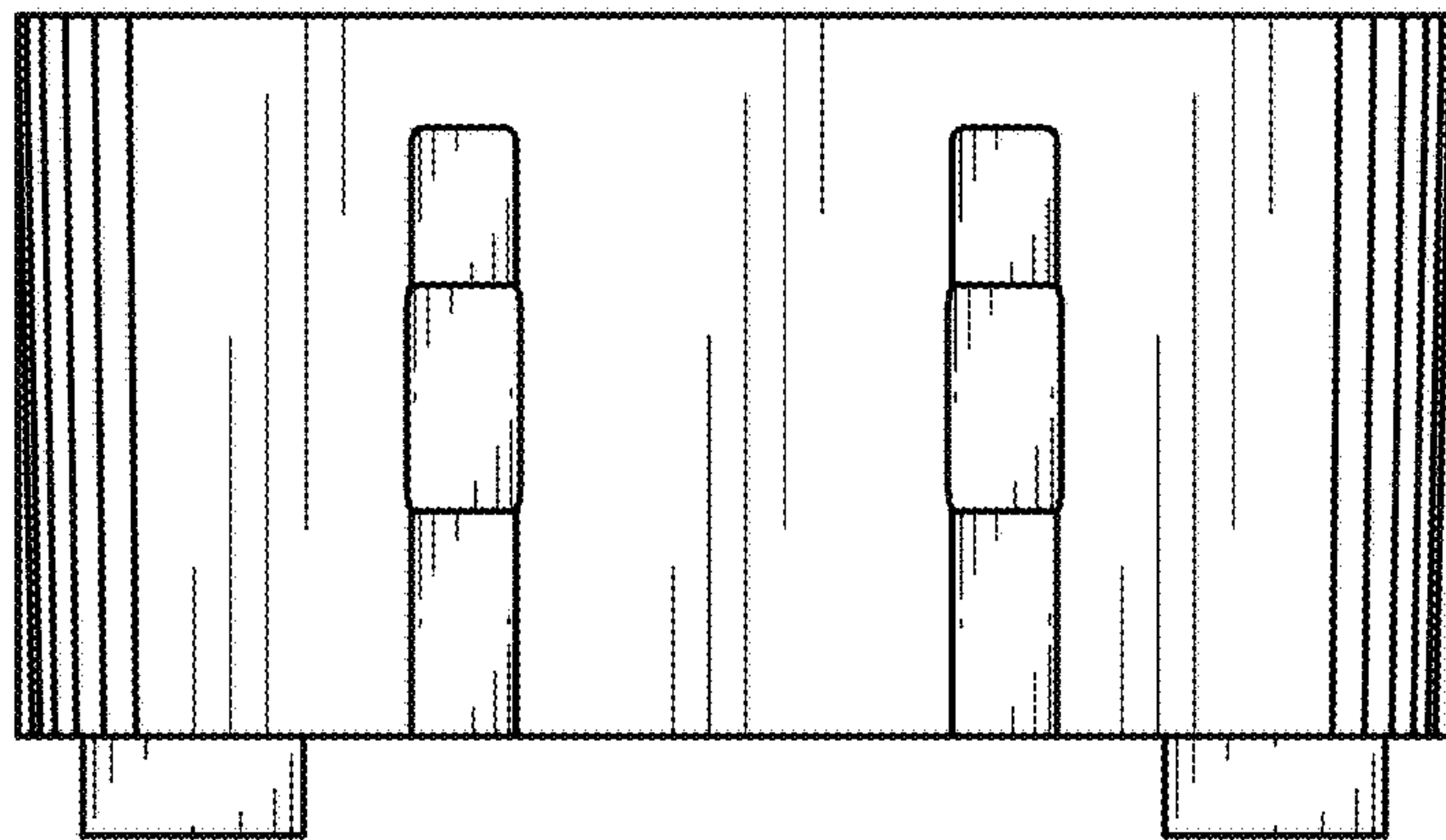


FIG. 5

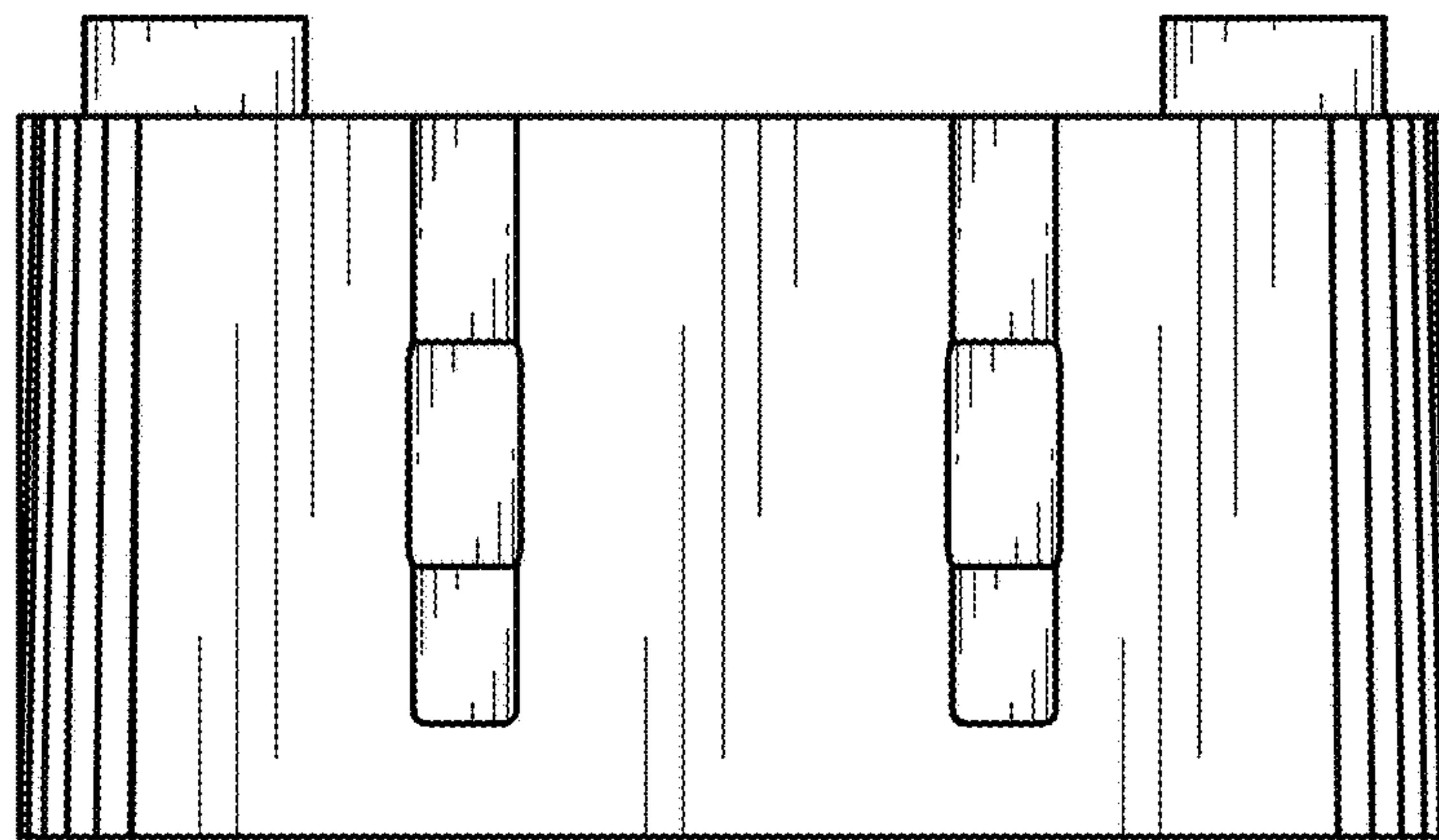


FIG. 6

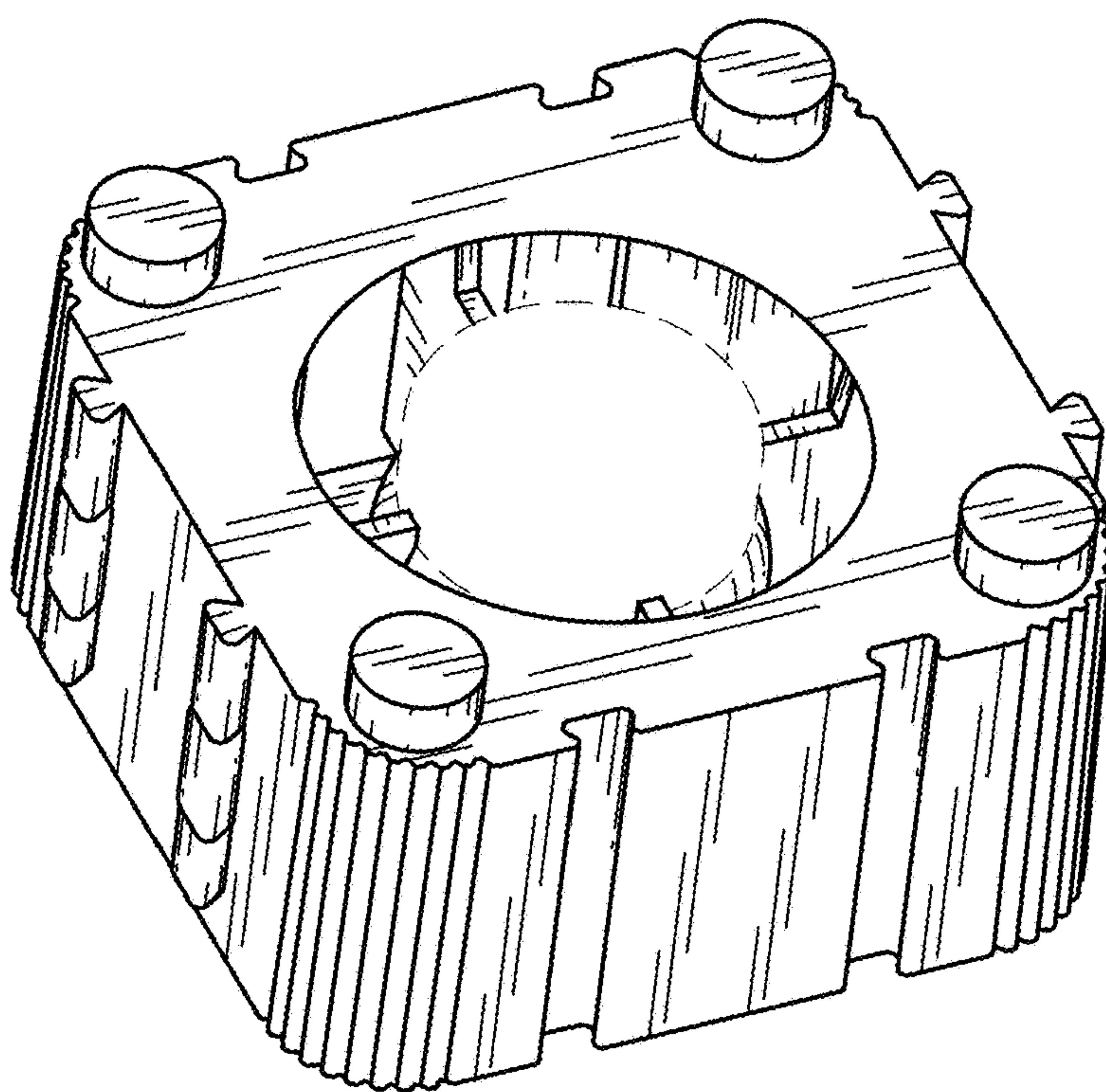


FIG. 7

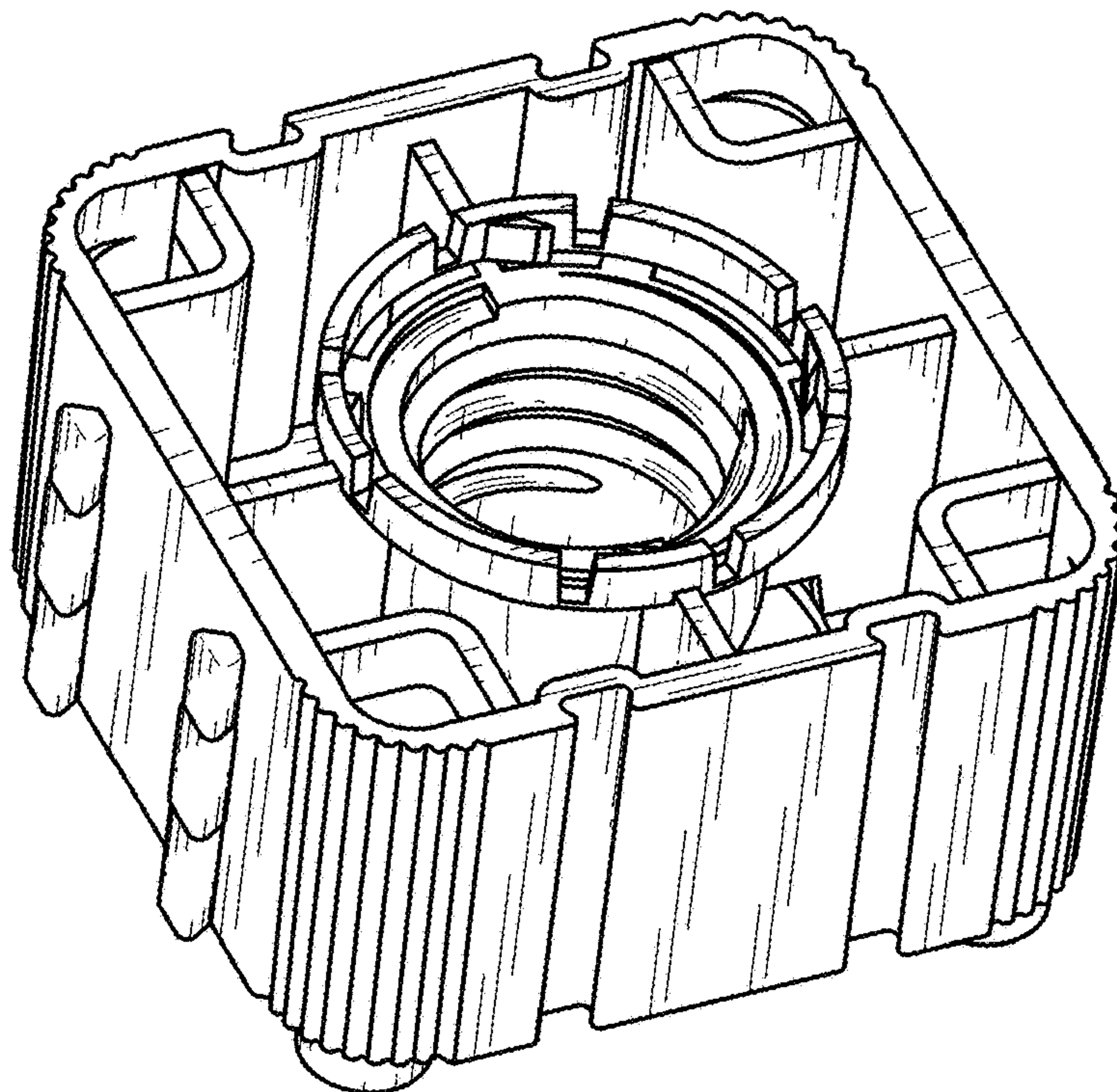


FIG. 8