



US00D841465S

(12) **United States Design Patent** (10) **Patent No.:** **US D841,465 S**
Christianson et al. (45) **Date of Patent:** **** Feb. 26, 2019**

(54) **ACTUATOR**

FOREIGN PATENT DOCUMENTS

(71) Applicant: **S. C. Johnson & Son, Inc.**, Racine, WI (US)

CN 106074230 A 11/2016
CN 106074260 A 11/2016

(Continued)

(72) Inventors: **Jeffrey J. Christianson**, Oak Creek, WI (US); **Kylie L. Levake**, Union Grove, WI (US); **Nathaniel Jiang**, Chicago, IL (US)

OTHER PUBLICATIONS

(73) Assignee: **S. C. Johnson & Son, Inc.**, Racine, WI (US)

S.C. Johnson. New Beginnings in Ghana by Nina Henning. Oct. 8, 2014 [earliest online date], [site visited Apr. 24, 2018]. Available from Internet, <URL:http://www.scjohnson.com/en/commitment/better-lives/Article.aspx?date=14-10-08&title=New-Beginnings-in-Ghana>. (Year: 2014).*

(**) Term: **15 Years**

(Continued)

(21) Appl. No.: **29/617,175**

Primary Examiner — George D. Kirschbaum

(22) Filed: **Sep. 12, 2017**

Assistant Examiner — Darcey E Heflin

(51) **LOC (11) Cl.** **09-07**

(74) *Attorney, Agent, or Firm* — Quarles & Brady LLP

(52) **U.S. Cl.**

(57) **CLAIM**

USPC **D9/448**

The ornamental design for an actuator, as shown and described.

(58) **Field of Classification Search**

DESCRIPTION

USPC D3/202, 203.1, 203.2, 203.3, 203.4, 207, D3/208, 240, 276, 318; D7/387, 392, D7/392.1, 396.1, 396.2, 397, 398, 601, D7/602, 708.1, 619.1, 620, 622, 632, 633; D8/18; D9/434-438, 440, 443-449, D9/453-457, 499, 516, 522, 537, 549, D9/562, 715, 718, 719, 722, 738, 739, D9/746; D11/4; D20/22, 27; D23/259; D30/152

FIG. 1 is an isometric view of a top, front, and right side of an ornamental design for an actuator; FIG. 2 is a front elevational view of the actuator of FIG. 1; FIG. 3 is a rear elevational view of the actuator of FIG. 1; FIG. 4 is a right side elevational view of the actuator of FIG. 1; FIG. 5 is a left side elevational view of the actuator of FIG. 1; and, FIG. 6 is a top plan view of the actuator of FIG. 1.

CPC B65D 83/205; B65D 83/207; B65D 83/30; B65D 1/0223

See application file for complete search history.

The dash-dash-dash-dash broken lines are included for the purpose of illustrating portions that form no part of the claimed design. The dash-dot-dash lines are included for the purpose of illustrating boundary lines, and form no part of the claimed design.

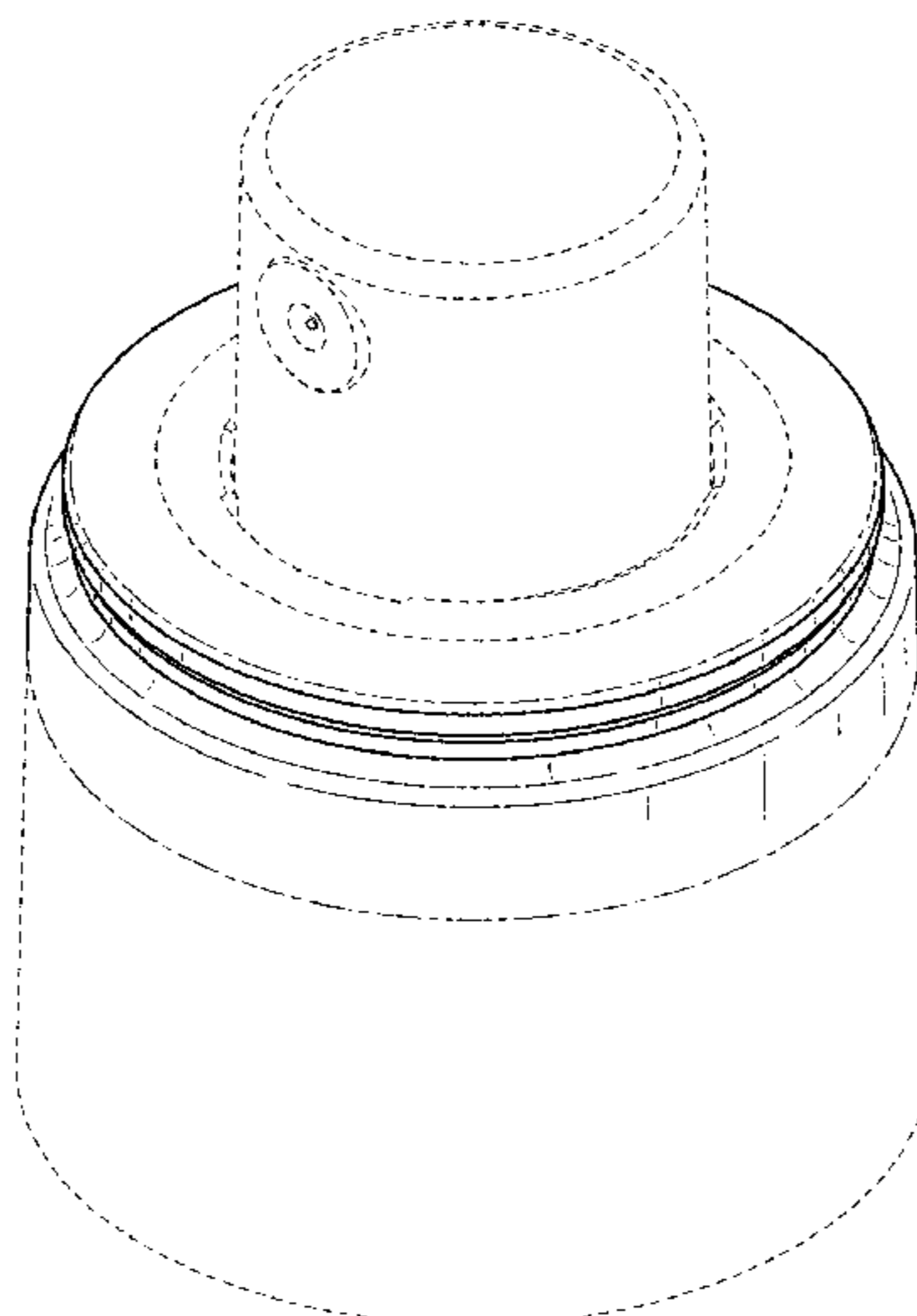
(56) **References Cited**

U.S. PATENT DOCUMENTS

D30,338 S * 3/1899 Mann D9/434
D44,392 S * 7/1913 Whitney D9/434
D265,280 S * 7/1982 Conti D7/387

(Continued)

1 Claim, 4 Drawing Sheets



(56)

References Cited

U.S. PATENT DOCUMENTS

6,302,302	B1	10/2001	Albisetti	
D462,009	S *	8/2002	Poisson	D9/448
D478,284	S *	8/2003	Pannozzo	D9/448
D478,285	S *	8/2003	Pannozzo	D9/448
D505,073	S *	5/2005	Flurer	D9/448
D509,136	S *	9/2005	Walters	D9/447
D591,151	S *	4/2009	Freeman	D9/447
D628,894	S *	12/2010	Pontes	D9/454
D647,400	S *	10/2011	Fields	D7/392.1
D664,432	S *	7/2012	Jordan	D9/448
D766,084	S *	9/2016	Jiang	D9/448
D766,096	S *	9/2016	Moreaux	D9/688
D782,309	S *	3/2017	Jiang	D9/448
D793,232	S *	8/2017	Buck	D9/449
9,862,535	B2	1/2018	Christianson et al.	
2017/0233171	A1 *	8/2017	Christianson	B65D 83/205 222/402.13

FOREIGN PATENT DOCUMENTS

EM	002280933-0007	7/2013
EM	002280933-0011	7/2013
EM	002646554-0007	3/2015
EM	002646554-0008	3/2015
EM	002664839-0003	3/2015
EM	002664839-0007	3/2015
EM	002677765-0001	4/2015
EM	002677765-0002	4/2015
EM	002688143-0001	4/2015
EM	002738773-0003	7/2015
EM	002738773-0030	7/2015
EM	002760538-0001	8/2015
EM	002974410-0001	2/2016
EM	002982595-0001	2/2016
EM	002982595-0002	2/2016
EM	003037548-0001	3/2016
EM	003037548-0002	3/2016
EM	003037548-0004	3/2016
EM	003037548-0005	3/2016
EM	003037548-0006	3/2016
EM	003037548-0007	3/2016
EM	0030375480003	3/2016
EM	003122761-0003	5/2016
EM	003456482-0001	11/2016
EM	003456821-0001	11/2016
EM	003566678-0001	1/2017

EM	003744507-0001	2/2017
EM	003744507-0002	2/2017
EM	003763689-0001	2/2017
EM	003811959-0002	3/2017
EM	003849975-0001	4/2017
EM	003849975-0002	4/2017
EM	003849975-0003	4/2017
EM	003849975-0004	4/2017
EM	003849975-0005	4/2017
EM	003849975-0006	4/2017
EM	003849975-0007	4/2017
EM	003849975-0008	4/2017
EM	003850718-0001	4/2017
EM	003850718-0002	4/2017
EM	003850718-0003	4/2017
EM	003850718-0004	4/2017
EM	003850718-0005	4/2017
EM	003850718-0006	4/2017
EM	003850718-0007	4/2017
EM	003850718-0008	4/2017
EM	003852870-0001	4/2017
EM	003860709-0001	4/2017
EM	003860709-0002	4/2017
EM	003938059-0035	5/2017
EM	003997030-0001	5/2017
EM	004096386-0001	7/2017
JP	1070395 S	5/2000
JP	1314762 S	11/2007
KR	30-0585007	1/2011
WO	DM075176	1/2011
WO	DM080572	4/2013
WO	DM087151	6/2015
WO	DM089369	2/2016
WO	DM094995	1/2017
WO	DM095773	4/2017
WO	DM070336	4/2018

OTHER PUBLICATIONS

Examination report No. 1 for standard patent application issued in corresponding Australian Patent Application No. 2017217437, dated Jul. 25, 2018, 3 pages.

Notice of Allowance issued in corresponding Japanese Application No. 2018-005084 dated Nov. 13, 2018, 3 pages (English translation is not available).

Coiffure de Paris, vol. 1148, p. 45, (JP Patent Office Publication No. HB21004258), 2 pages.

* cited by examiner

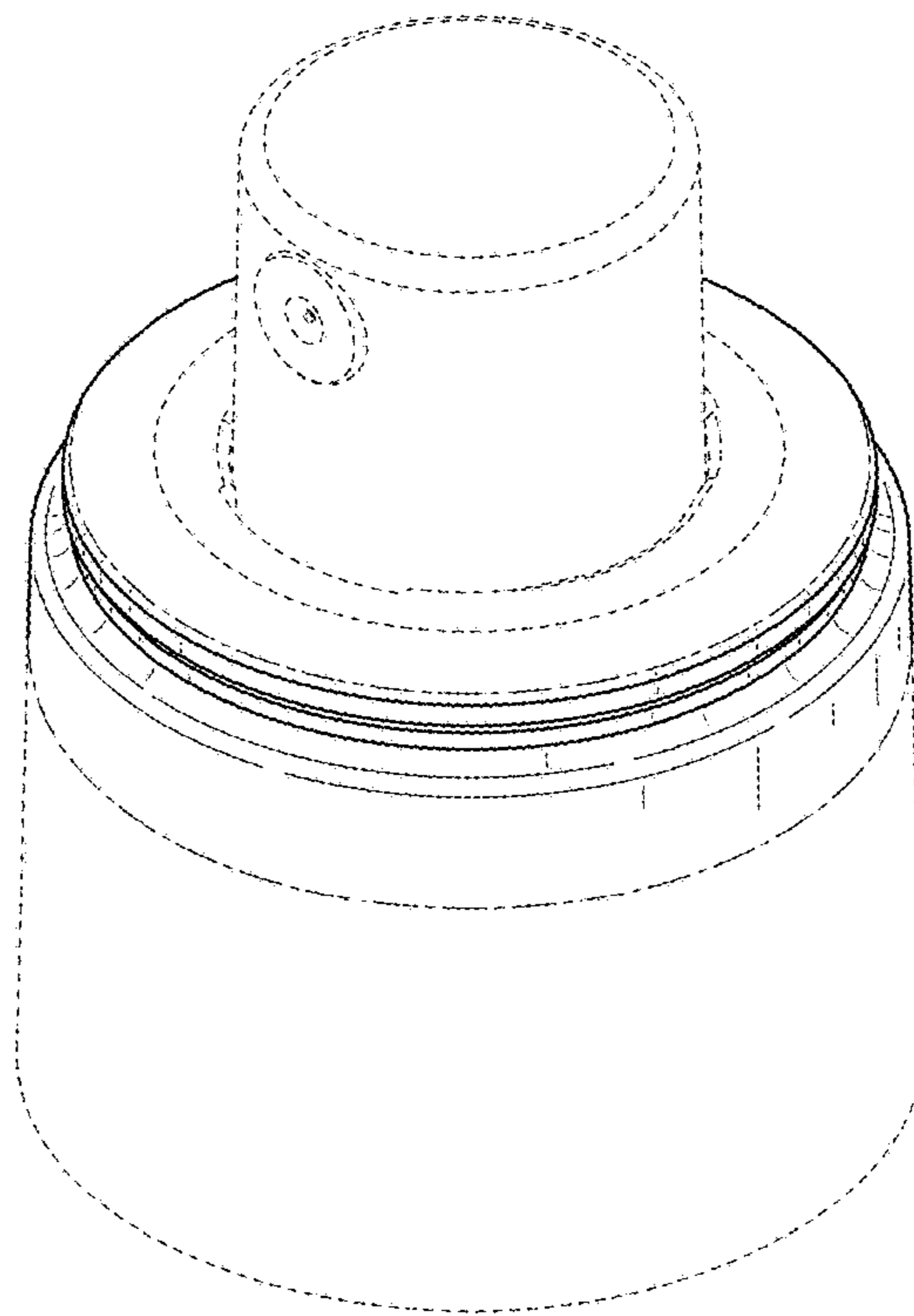


FIG. 1

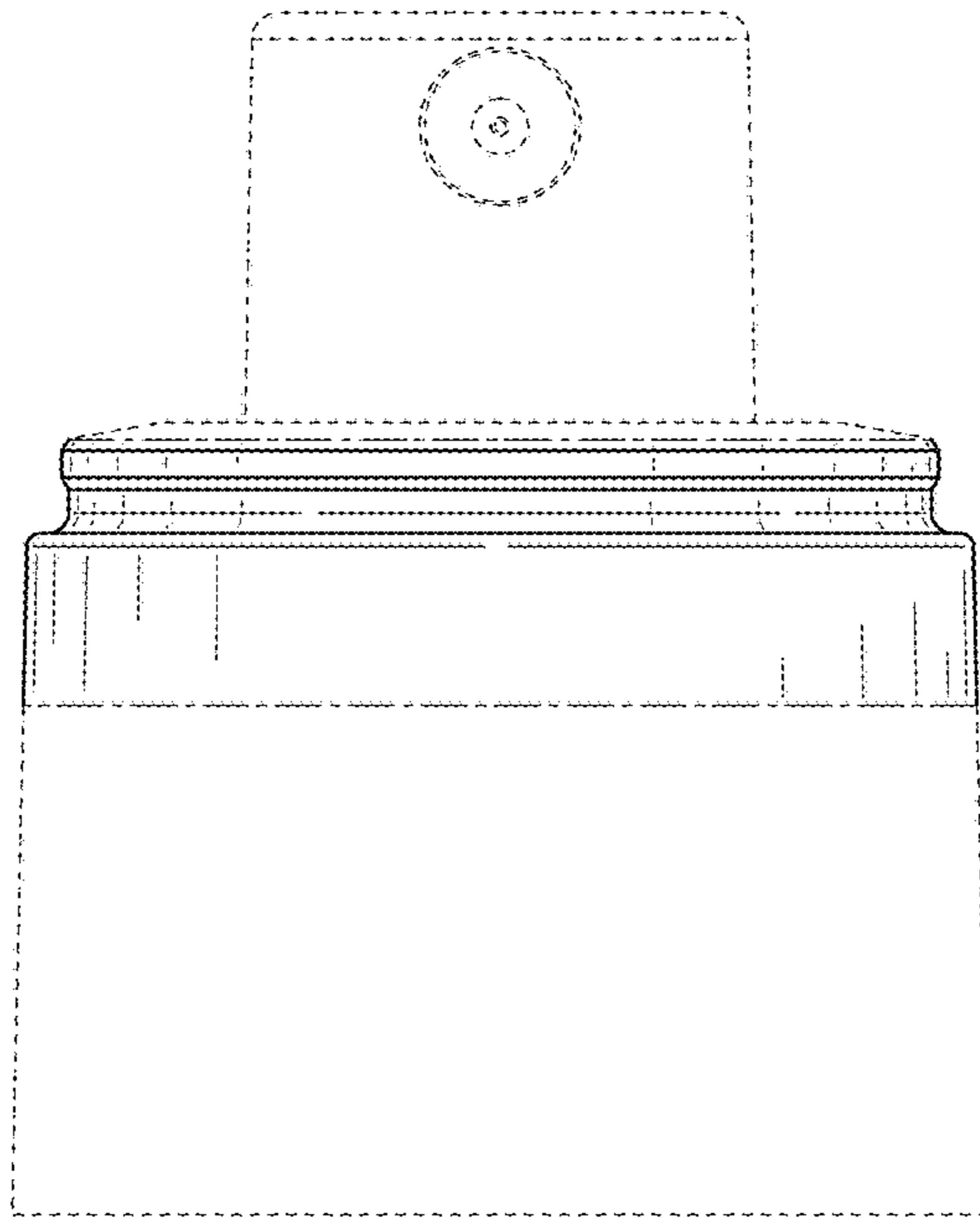


FIG. 2

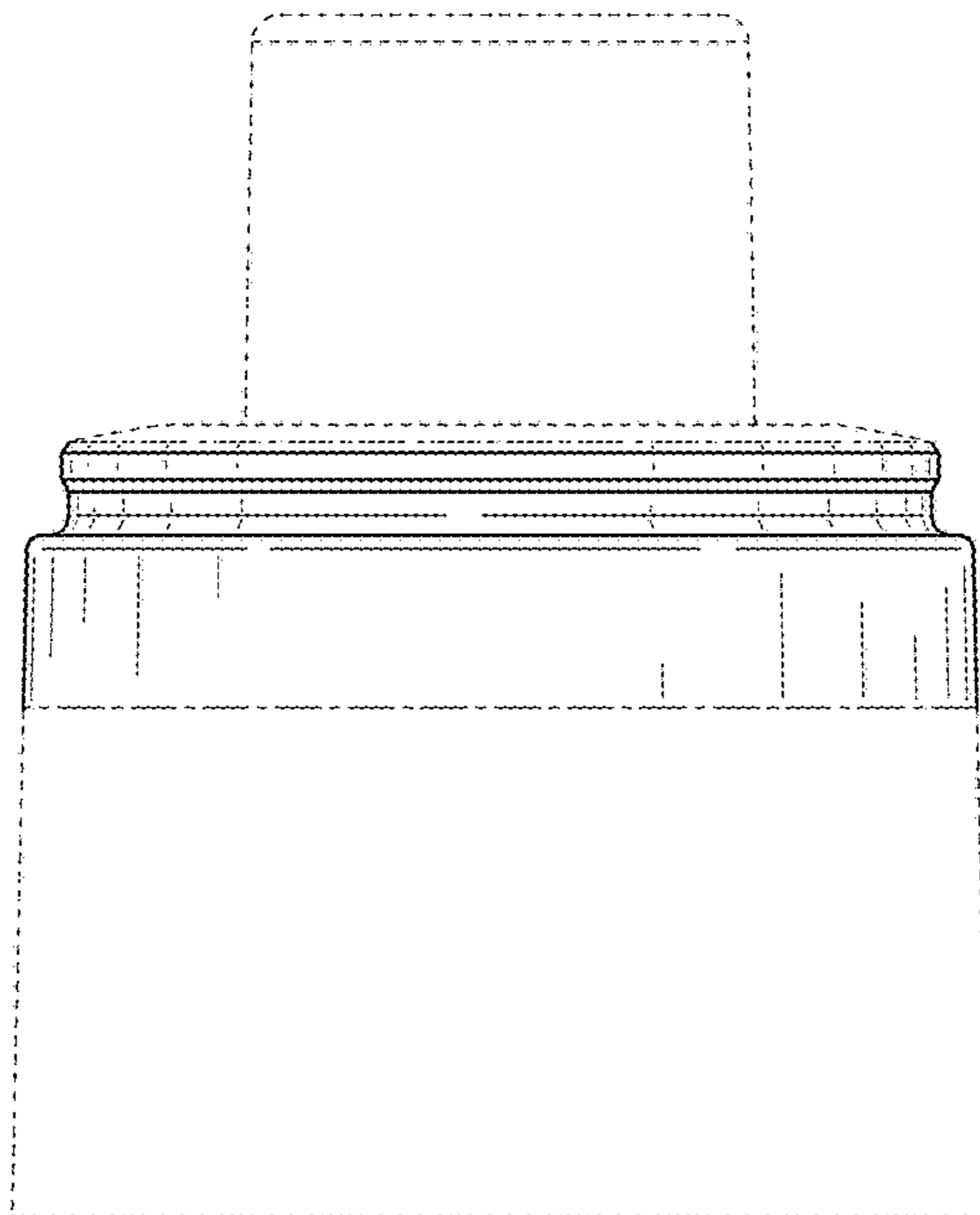


FIG. 3

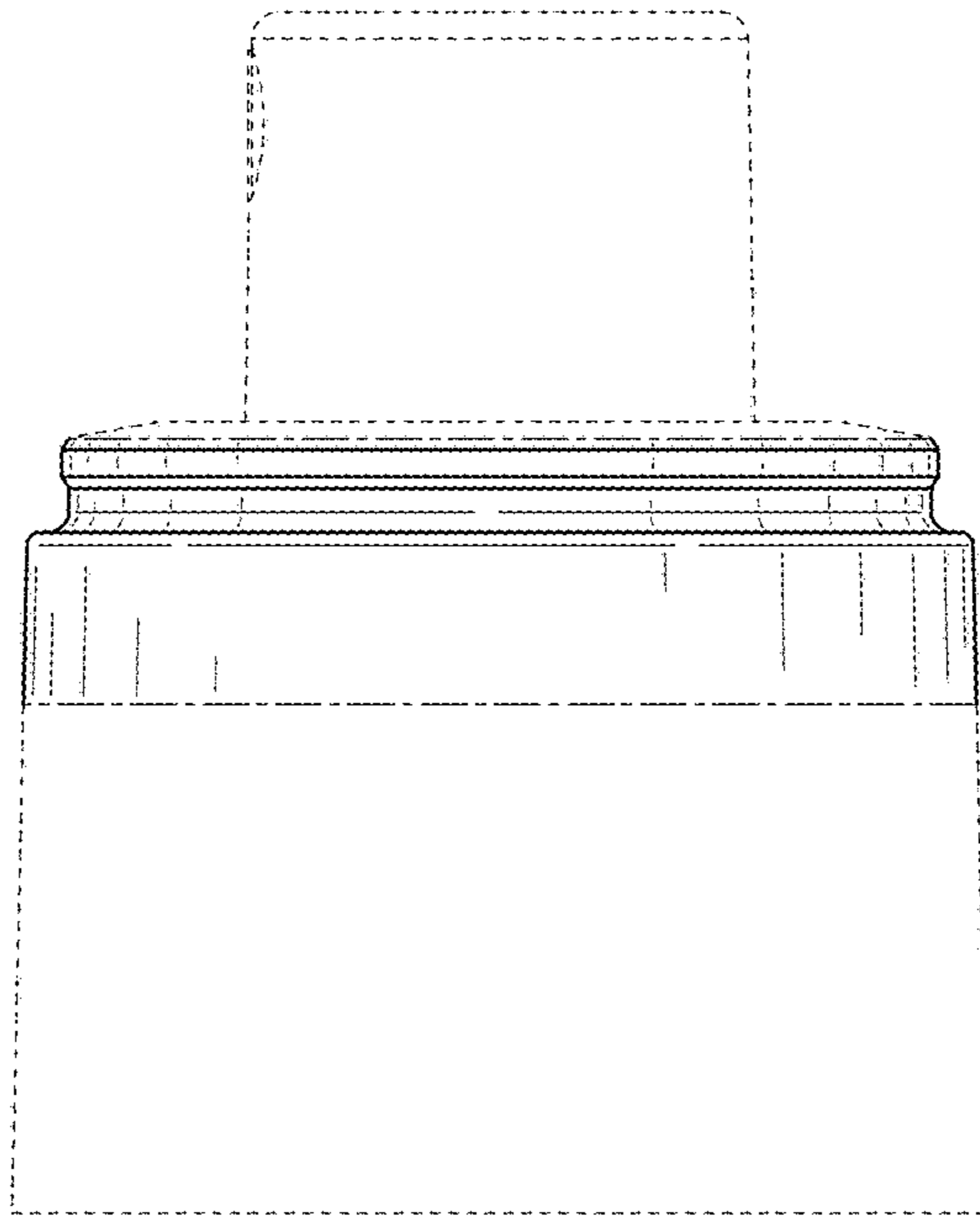


FIG. 4

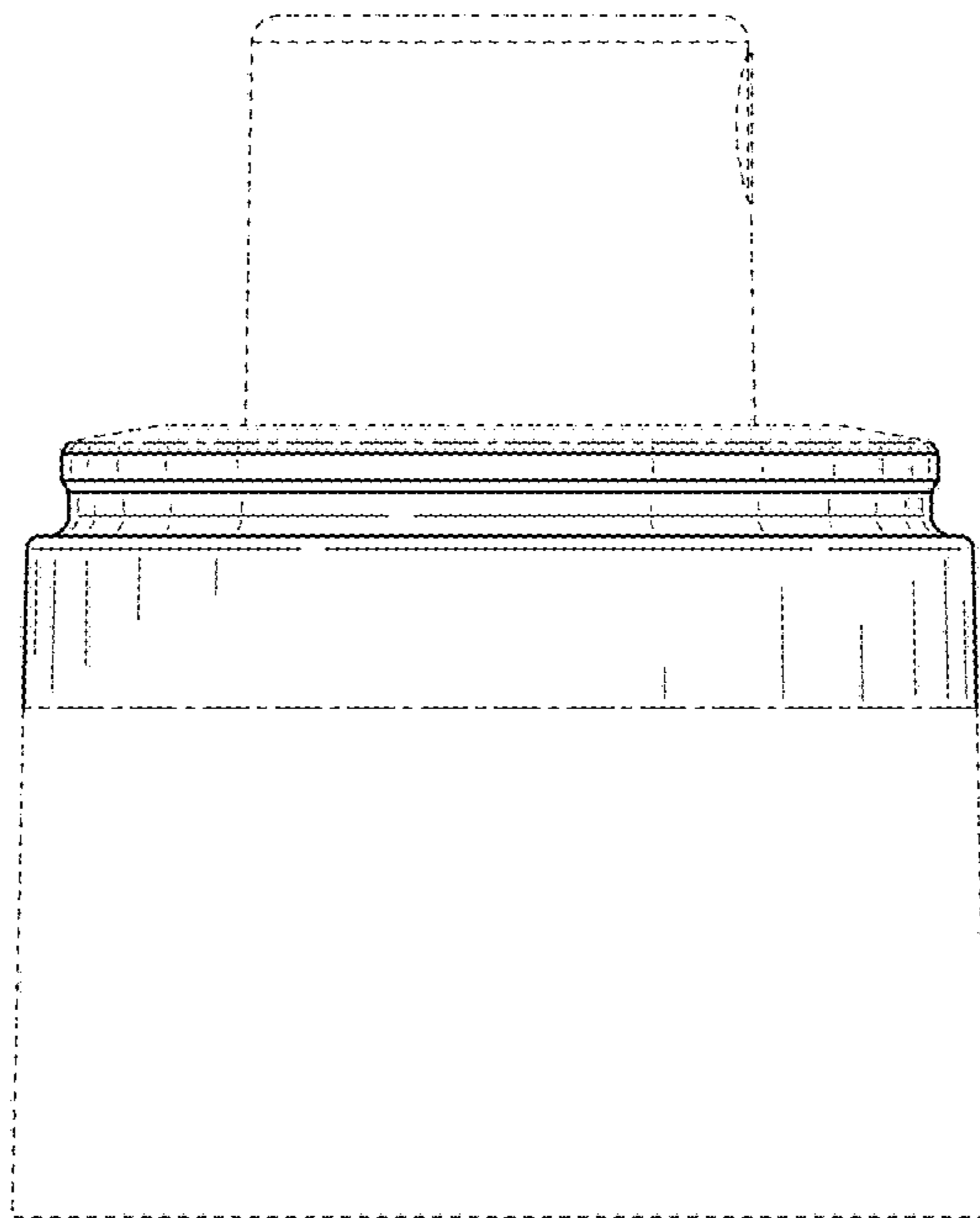


FIG. 5

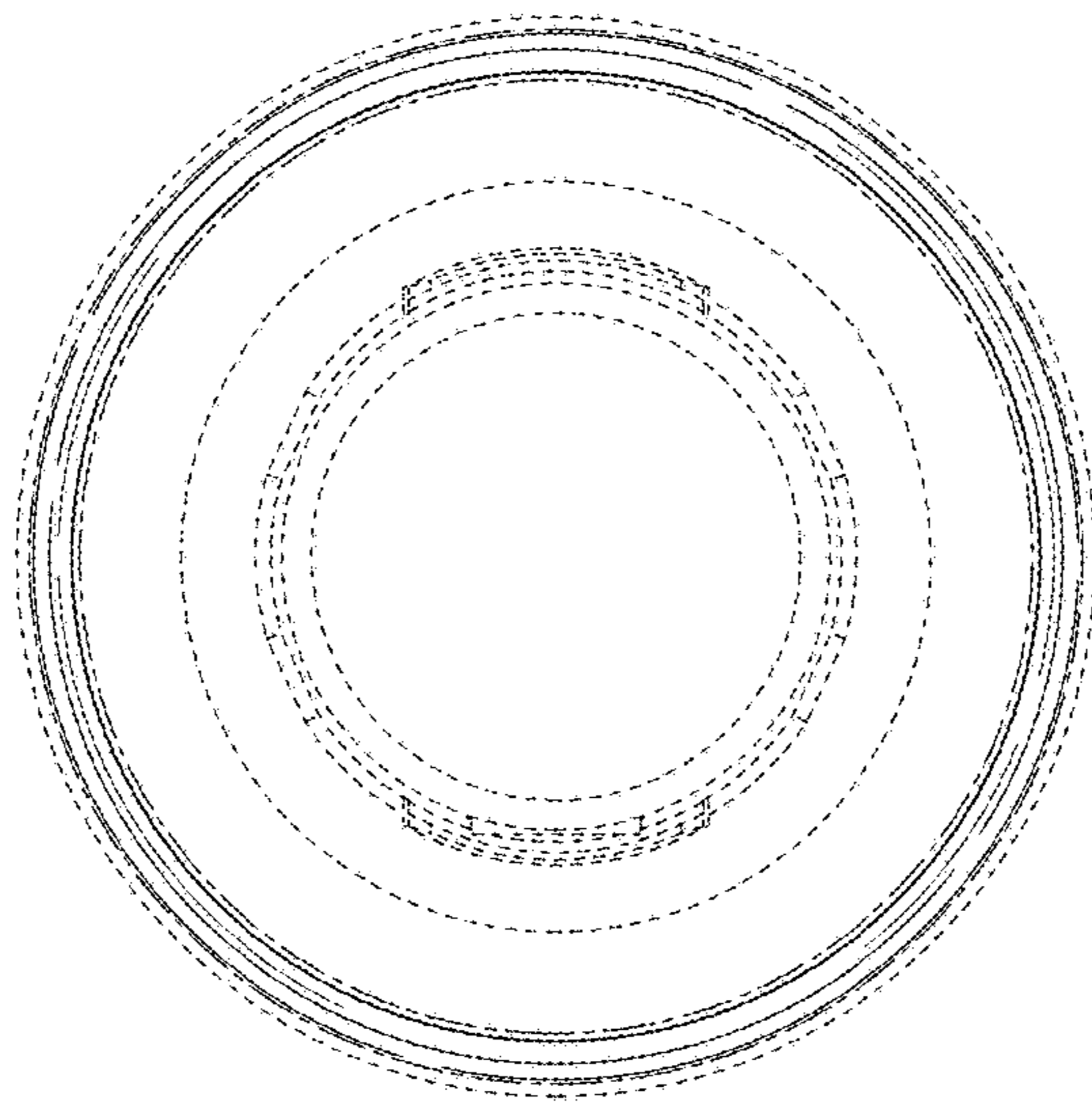


FIG. 6