



US00D841462S

(12) **United States Design Patent**
Kui

(10) **Patent No.:** **US D841,462 S**

(45) **Date of Patent:** **** Feb. 26, 2019**

(54) **FOOD CONTAINER**

(71) Applicant: **Plastik USA, Inc.**, Great Neck, NY
(US)

(72) Inventor: **Shuang Chieh Kui**, Elmhurst, NY (US)

(73) Assignee: **Plastik USA, Inc.**, Great Neck, NY
(US)

(**) Term: **15 Years**

(21) Appl. No.: **29/597,316**

(22) Filed: **Mar. 16, 2017**

(51) **LOC (11) Cl.** **09-03**

(52) **U.S. Cl.**
USPC **D9/425**

(58) **Field of Classification Search**

USPC D7/396.1, 538-542, 602, 608, 629;
D9/414, 424-429, 432, 761; 206/499,
206/508, 557; 220/23.4, 23.6, 315, 500,
220/659, 669, 674, 675, 696, 752, 760,
220/790, 793; 229/105, 117.09, 117.26,
229/189, 406, 407, 902, 905
CPC ... B65D 1/34; B65D 1/36; B65D 1/40; B65D
25/04; B65D 43/00; B65D 43/02; B65D
81/34; B65D 81/3446; B65D 2543/00;
B65D 2581/34

See application file for complete search history.

(56) **References Cited**

U.S. PATENT DOCUMENTS

D251,657 S * 4/1979 Jewell D9/426
D408,733 S * 4/1999 McCann D9/423

D439,159 S * 3/2001 Chen D9/425
D592,500 S * 5/2009 Colacitti D7/354
D628,475 S * 12/2010 Snedden D9/426
D664,427 S * 7/2012 Chen D9/425
D665,674 S * 8/2012 Wu D7/629
2007/0289963 A1* 12/2007 Wu B65D 21/0233
220/4.21
2009/0218356 A1* 9/2009 Colacitti B29C 45/14
220/574

* cited by examiner

Primary Examiner — Derrick E Holland

Assistant Examiner — Janice Patyk

(74) *Attorney, Agent, or Firm* — Bond Schoeneck &
King, PLLC; George McGuire

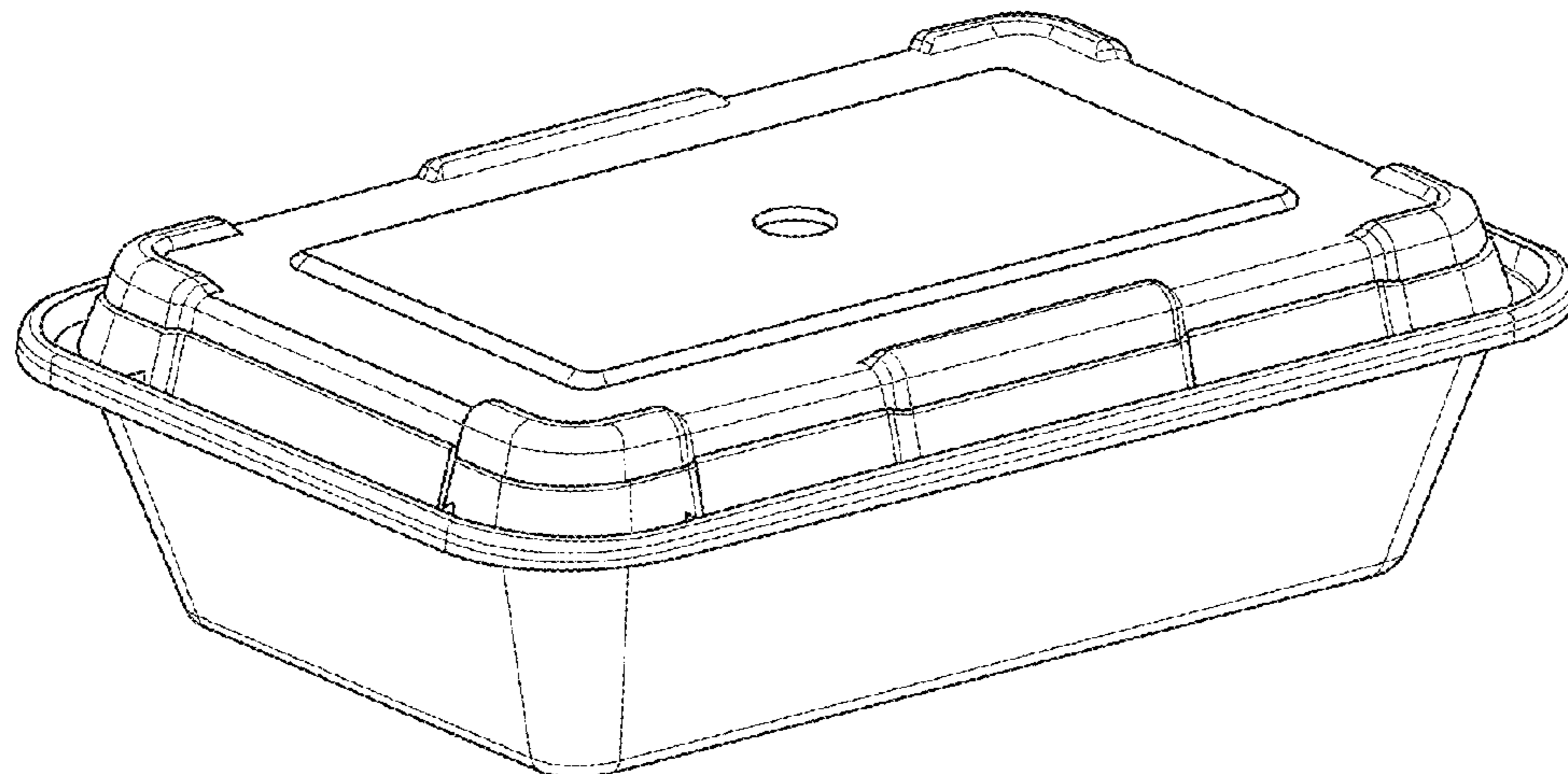
(57) **CLAIM**

The ornamental design for a food container, as shown and described.

DESCRIPTION

FIG. 1 is a perspective view of a food container, showing my new design;
FIG. 2 is a front elevation view thereof, the rear elevation being a mirror image thereof;
FIG. 3 is a side elevation view thereof, the opposite side being a mirror image thereof;
FIG. 4 is an exploded top perspective view thereof;
FIG. 5 is a top plan view thereof, shown without the lid for ease of illustration;
FIG. 6 is a bottom plan view thereof, shown without the container for ease of illustration; and,
FIG. 7 is an exploded bottom perspective view thereof.

1 Claim, 7 Drawing Sheets



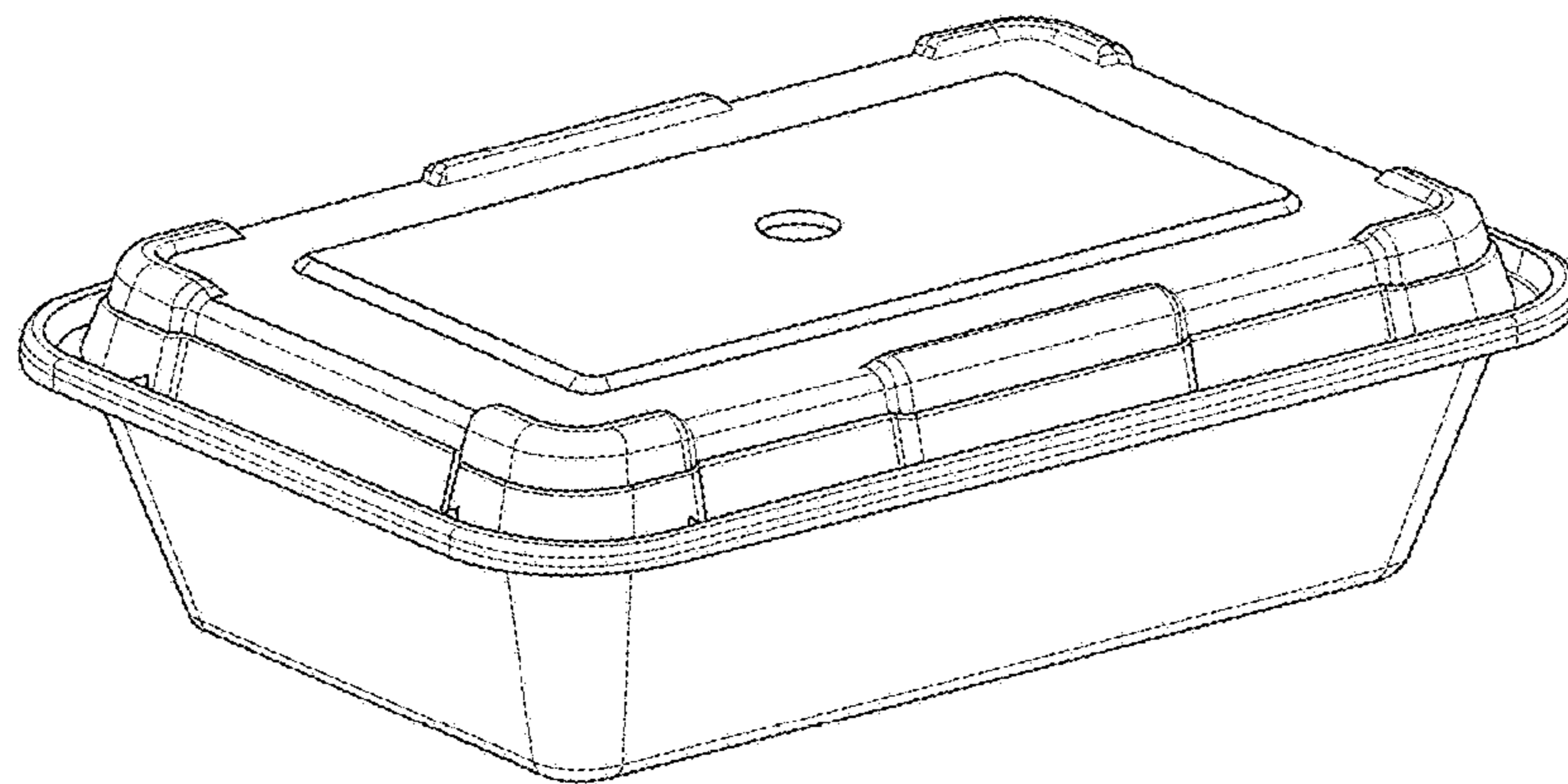


FIG. 1

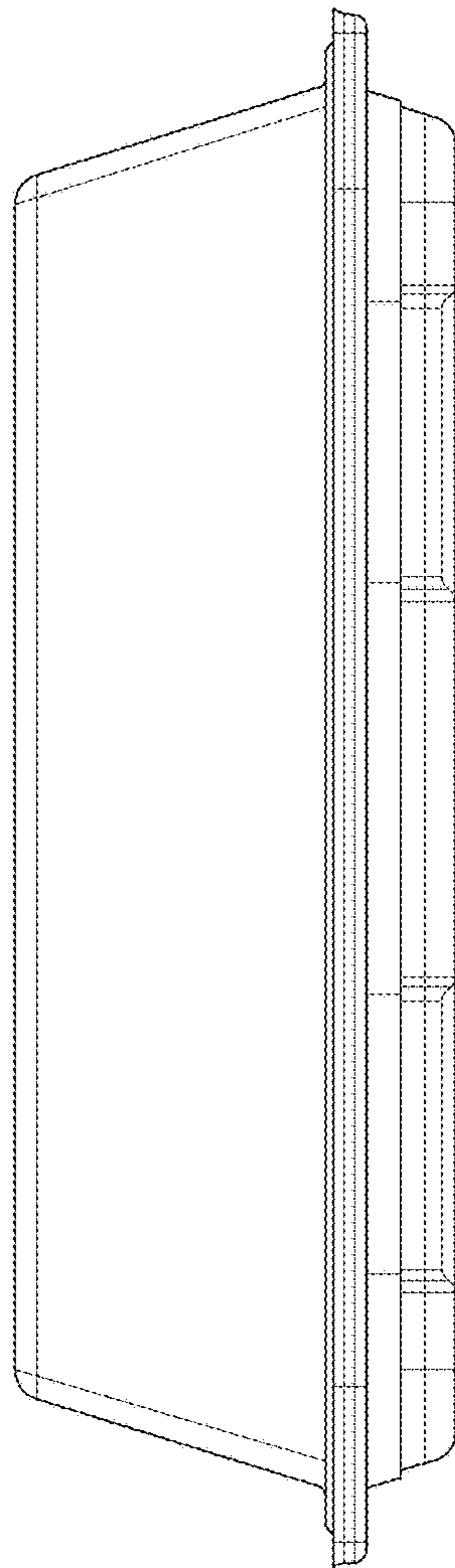


FIG. 2

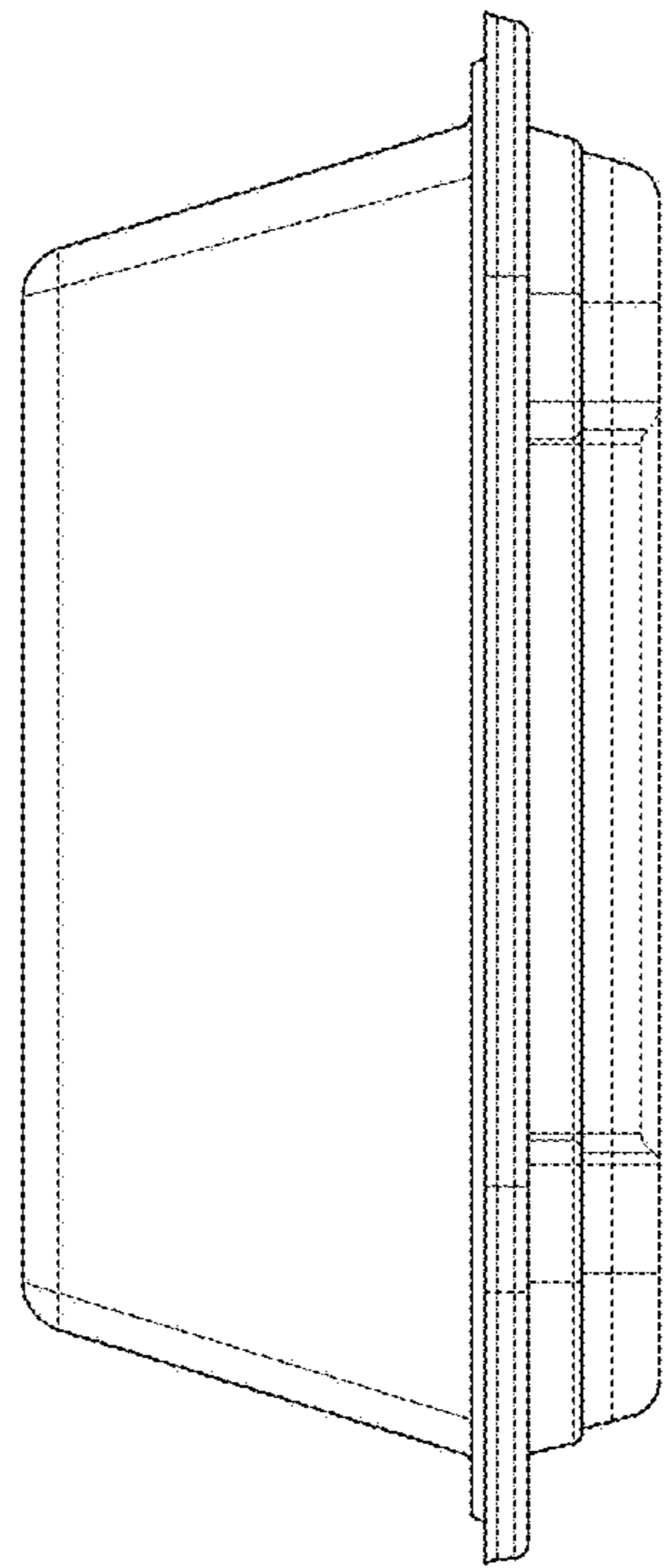


FIG. 3

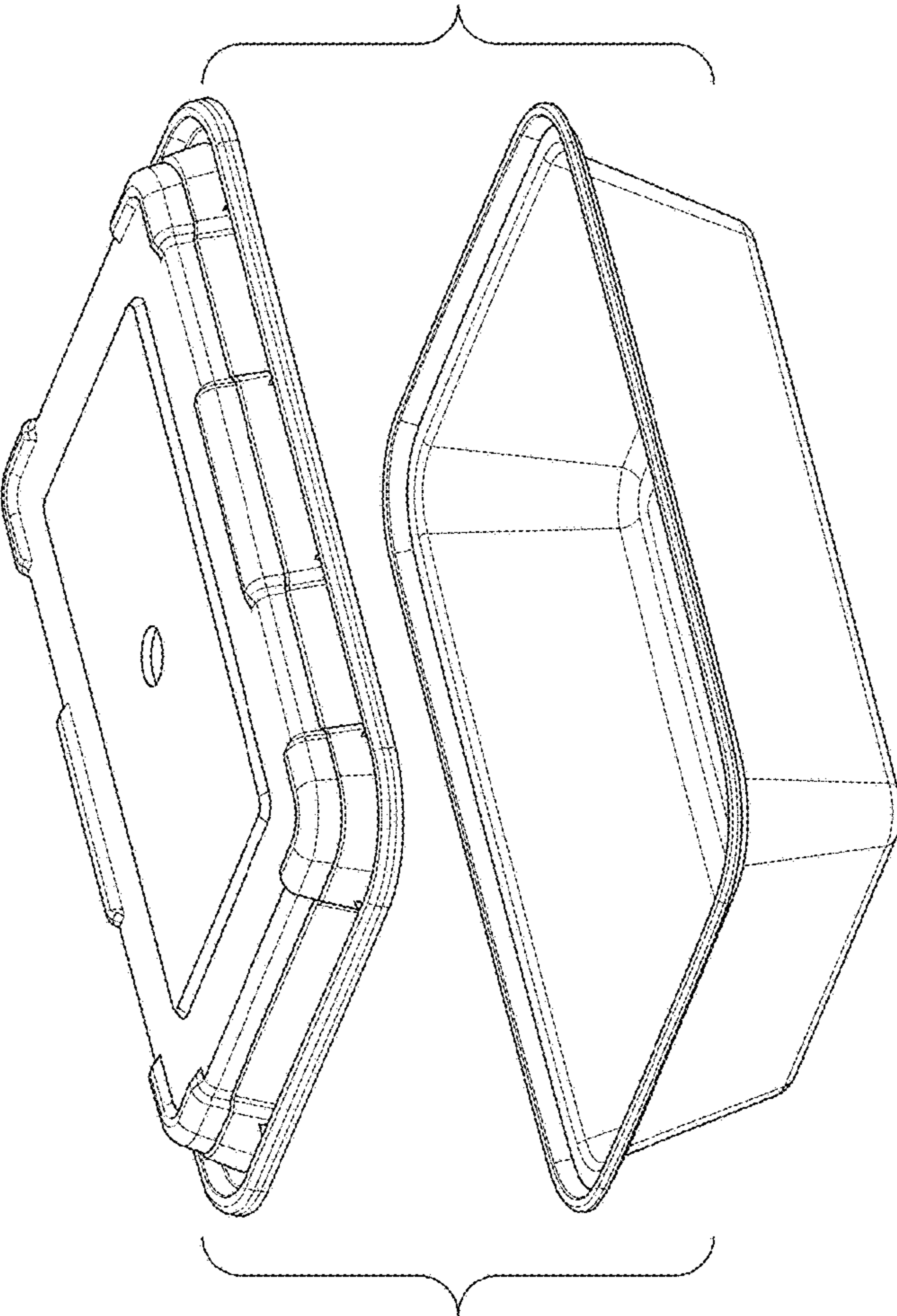


FIG. 4

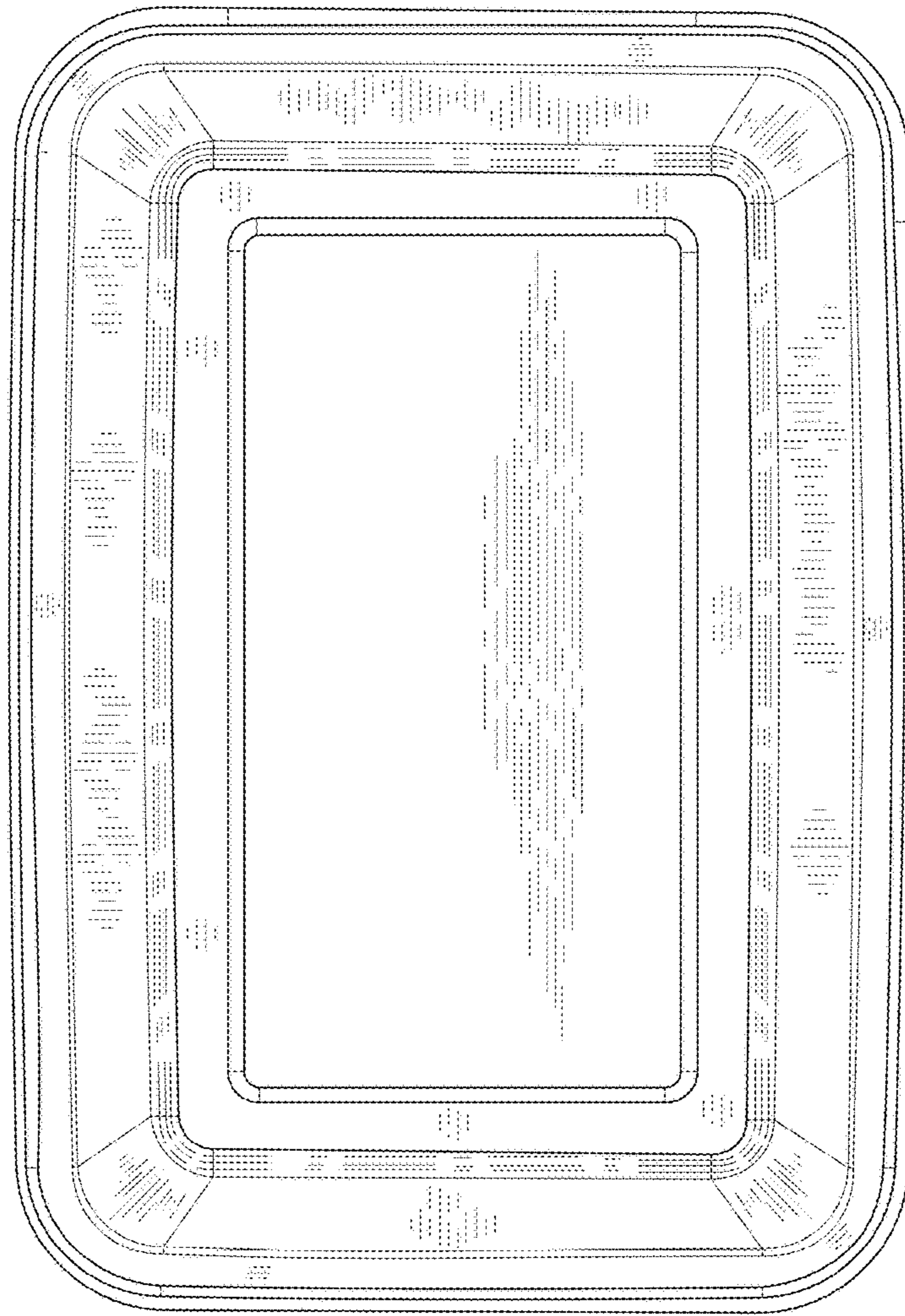


FIG. 5

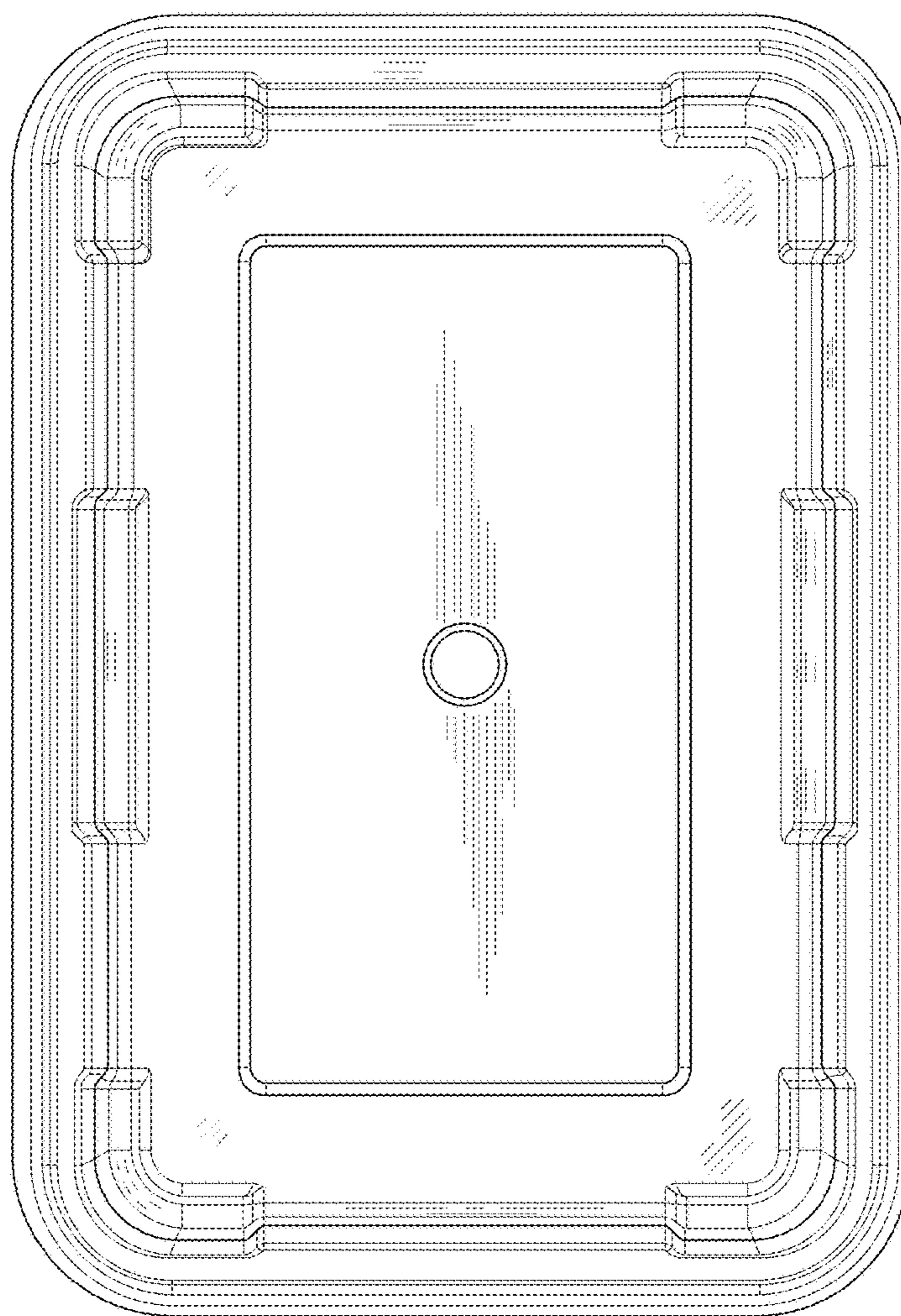


FIG. 6

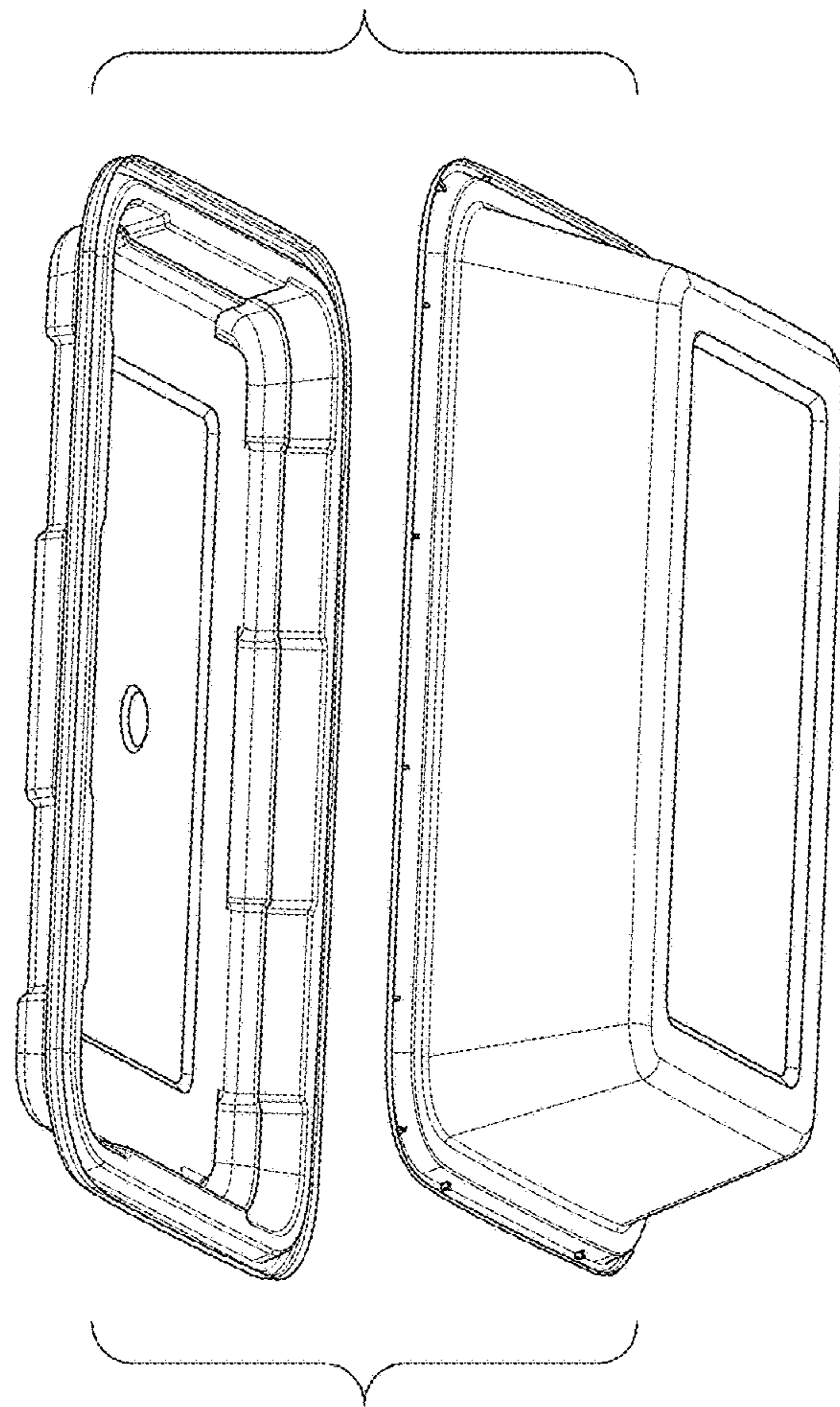


FIG. 7