



US00D841461S

(12) **United States Design Patent** (10) **Patent No.:** **US D841,461 S**  
**Toledo** (45) **Date of Patent:** **\*\* Feb. 26, 2019**

(54) **TRANSPARENT DOOR LOCK DISPLAY PACKAGE**

(71) Applicant: **Jorge Toledo**, Dorado, PR (US)

(72) Inventor: **Jorge Toledo**, Dorado, PR (US)

(\*\*) Term: **15 Years**

(21) Appl. No.: **29/574,194**

(22) Filed: **Aug. 12, 2016**

(51) **LOC (11) Cl.** ..... **09-03**

(52) **U.S. Cl.**  
USPC ..... **D9/425**

(58) **Field of Classification Search**  
USPC ..... D9/414-416, 418, 420, 424-426,  
D9/428-430, 432, 434, 435, 455-457,  
D9/499

CPC ..... B65D 75/323; B65D 75/367  
See application file for complete search history.

(56) **References Cited**

**U.S. PATENT DOCUMENTS**

D184,525 S *	3/1959	Lurie	.....	D9/424
3,939,979 A *	2/1976	Neumayer	.....	B65D 75/366
				206/461
D294,123 S *	2/1988	Hill	.....	D9/415
D369,547 S *	5/1996	Dahlheimer	.....	D9/415
D370,174 S *	5/1996	Bergstedt	.....	D9/415
6,079,561 A *	6/2000	Burkard	.....	B65D 75/323
				206/459.5
D466,009 S *	11/2002	Humphrey	.....	D9/415
D469,686 S *	2/2003	Yang	.....	D9/415
D471,099 S *	3/2003	Yang	.....	D9/415
D519,026 S *	4/2006	Shing	.....	D9/415
D538,638 S *	3/2007	Dunshee	.....	D9/420
D620,350 S *	7/2010	Hernandez	.....	D9/425
D628,070 S *	11/2010	Ma	.....	D9/456
D628,071 S *	11/2010	He	.....	D9/456
D630,528 S *	1/2011	Dombrowski	.....	D9/415
D642,048 S *	7/2011	Ocampo	.....	D9/424
D654,359 S *	2/2012	Fleming	.....	D9/424
D661,188 S *	6/2012	Fahy	.....	D9/456

(Continued)

**OTHER PUBLICATIONS**

Wilko. Yale Replacement Door Lock Cylinder Maximum Security Part No. PKM3545. Feb. 21, 2017 [earliest online date], [site visited Jun. 2, 2017]. Available from Internet, URL: <http://www.wilko.com/all-door-handles+knobs/yale-replacement-door-lock-cylinder-maximum-security-part-number-pkm3545/invnt/0345441>.\*

*Primary Examiner* — George D. Kirschbaum

*Assistant Examiner* — Darcey E Heflin

(74) *Attorney, Agent, or Firm* — Eugenio J. Torres-Oyola; Victor M. Rodriguez-Reyes; Rafael Rodriguez-Muriel

(57) **CLAIM**

The ornamental design for a transparent door lock display package, as shown and described.

**DESCRIPTION**

FIG. 1 is a front view of a transparent door lock display package showing the present design.

FIG. 2 is an enlarged front view of the upper section of the package taken in the direction of line 2 of FIG. 1.

FIG. 3 is an enlarged front view of the lower section of the package taken in the direction of line 3 of FIG. 1.

FIG. 4 is a right side view of the transparent door lock display package showing the present design.

FIG. 5 is a bottom view of the transparent door lock display package showing the present design.

FIG. 6 is a top view of the transparent door lock display package showing the present design.

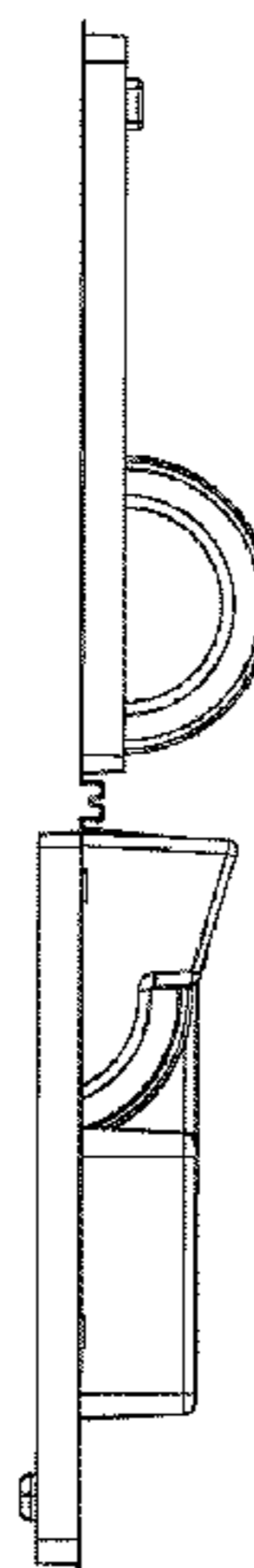
FIG. 7 is another front perspective view of the transparent door lock display package showing the present design.

FIG. 8 is a rear perspective view of the transparent door lock display package showing the present design; and,

FIG. 9 a left side view of the transparent door lock display package showing the present design.

The broken lines shown in the drawings form no part of the claimed design.

**1 Claim, 8 Drawing Sheets**



(56)

**References Cited**

U.S. PATENT DOCUMENTS

D661,189	S	*	6/2012	Fahy .....	D9/456
D697,398	S	*	1/2014	Guevara-Ludt .....	D9/415
D739,226	S	*	9/2015	Hagl .....	D9/416
D758,850	S	*	6/2016	Dibnah .....	D9/429
D767,987	S	*	10/2016	Wu .....	D9/415
D777,570	S	*	1/2017	Toledo .....	D9/425

\* cited by examiner

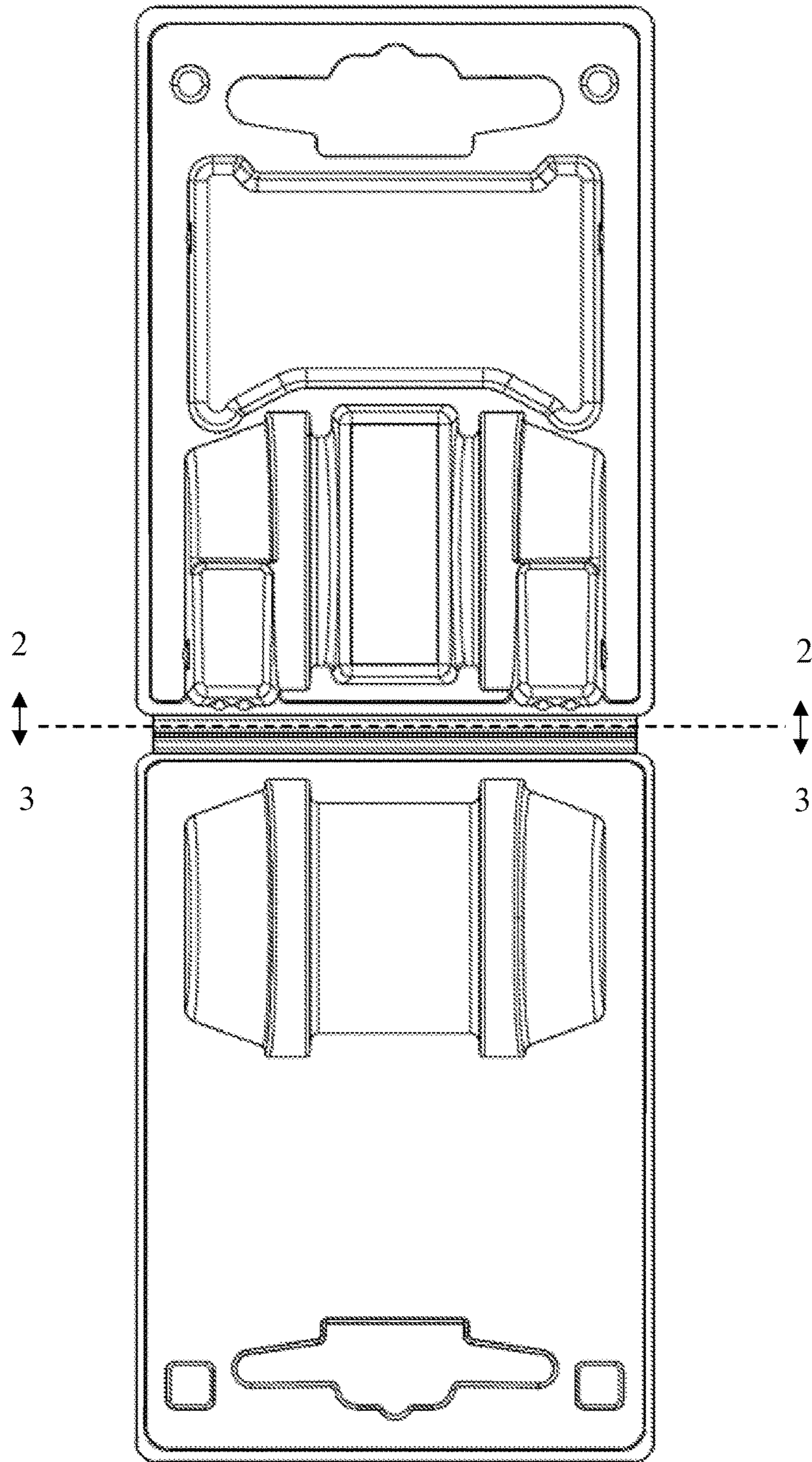


Fig. 1

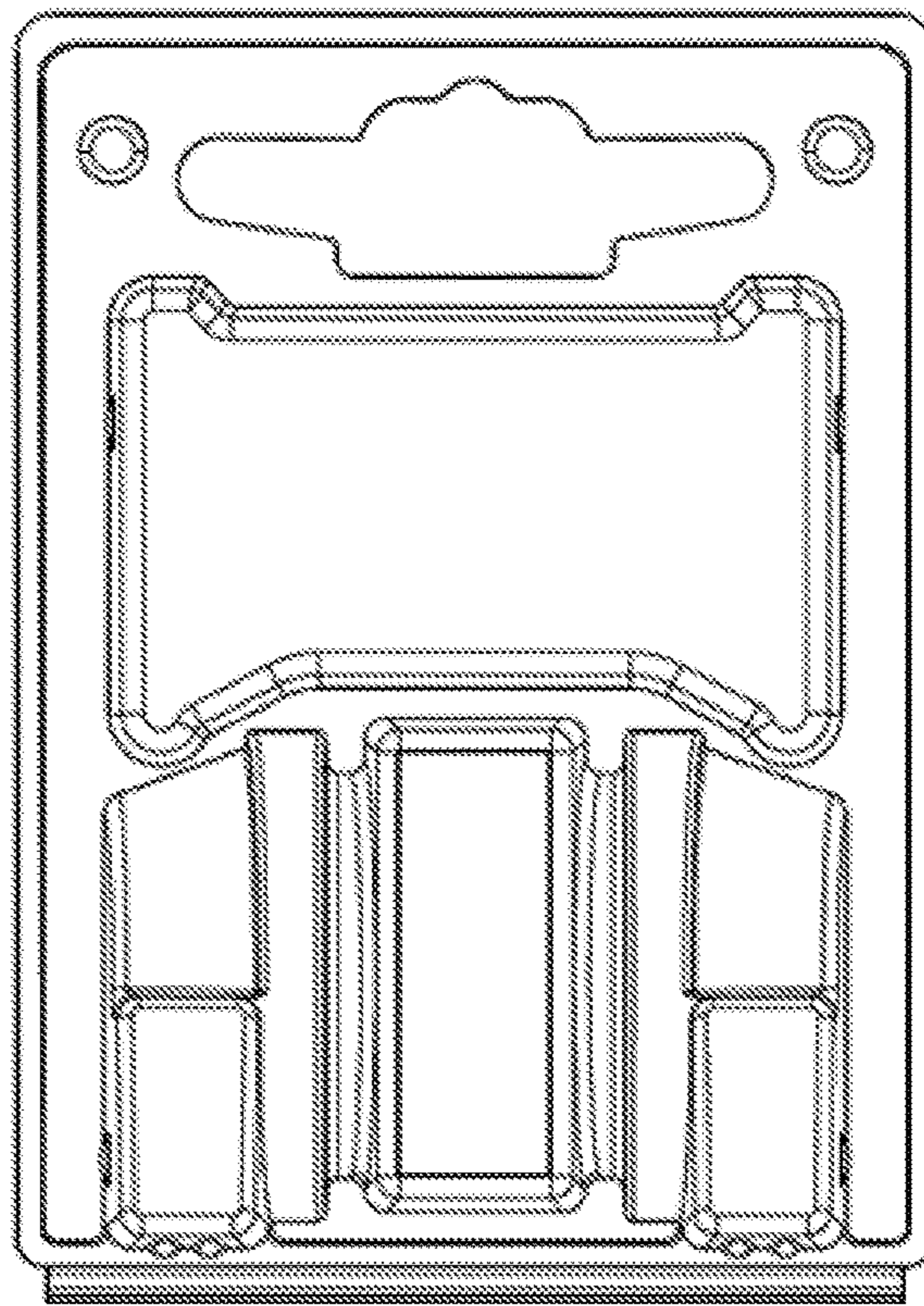


Fig. 2

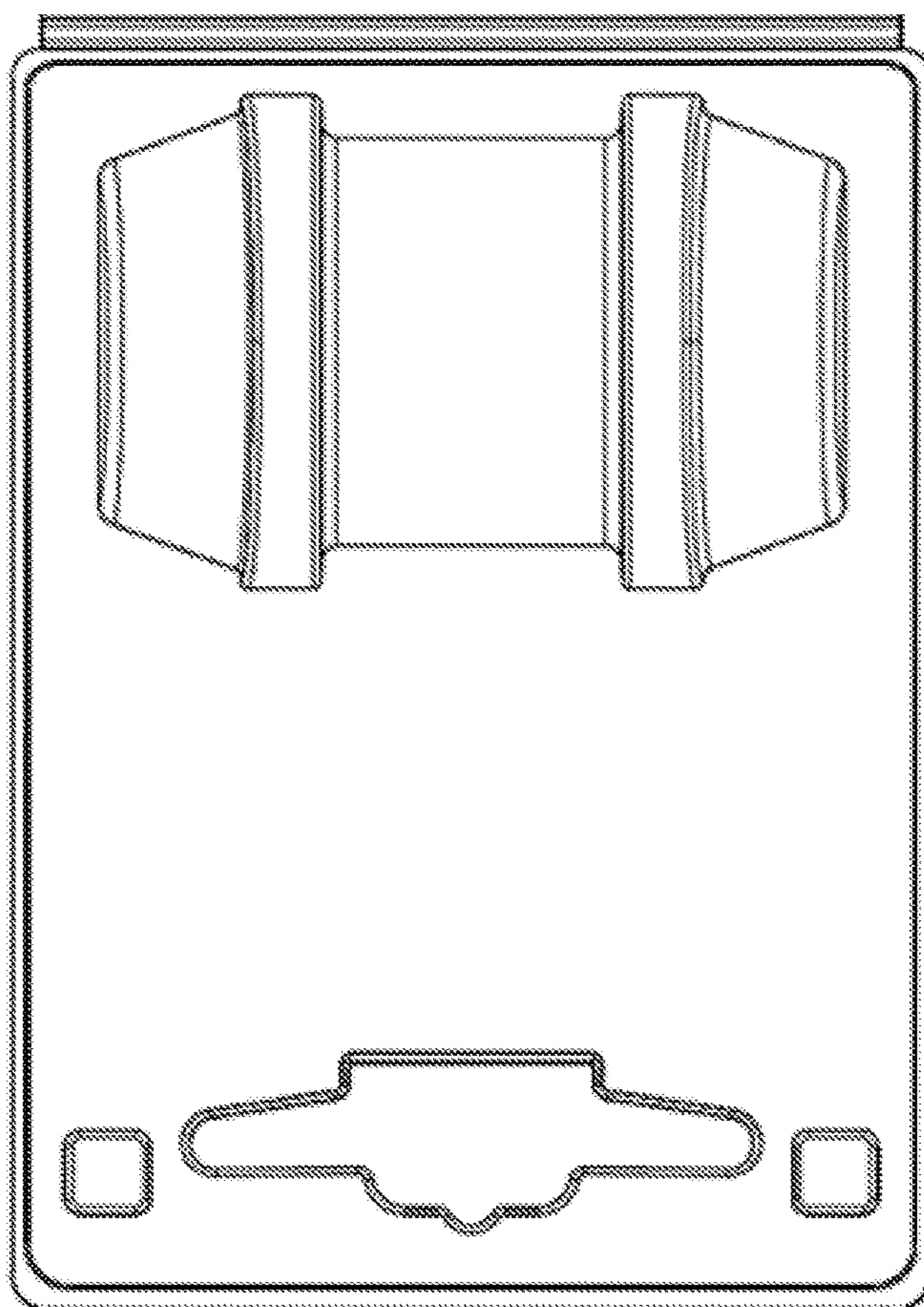


Fig. 3

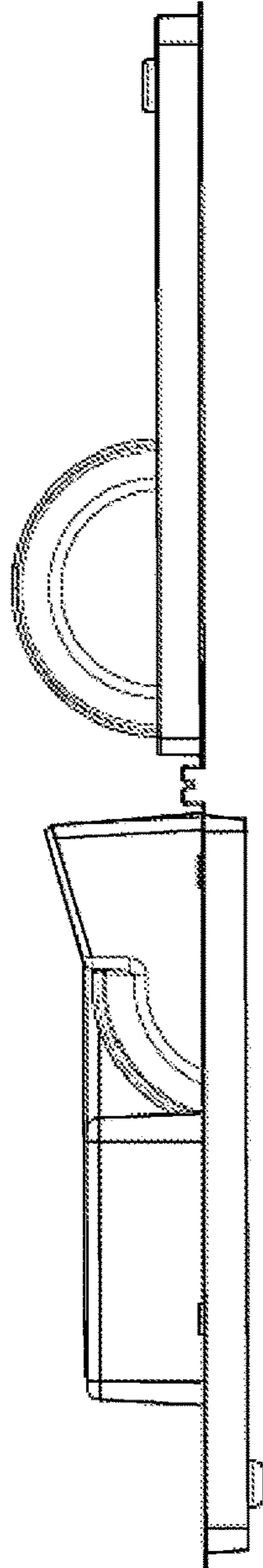


Fig. 4

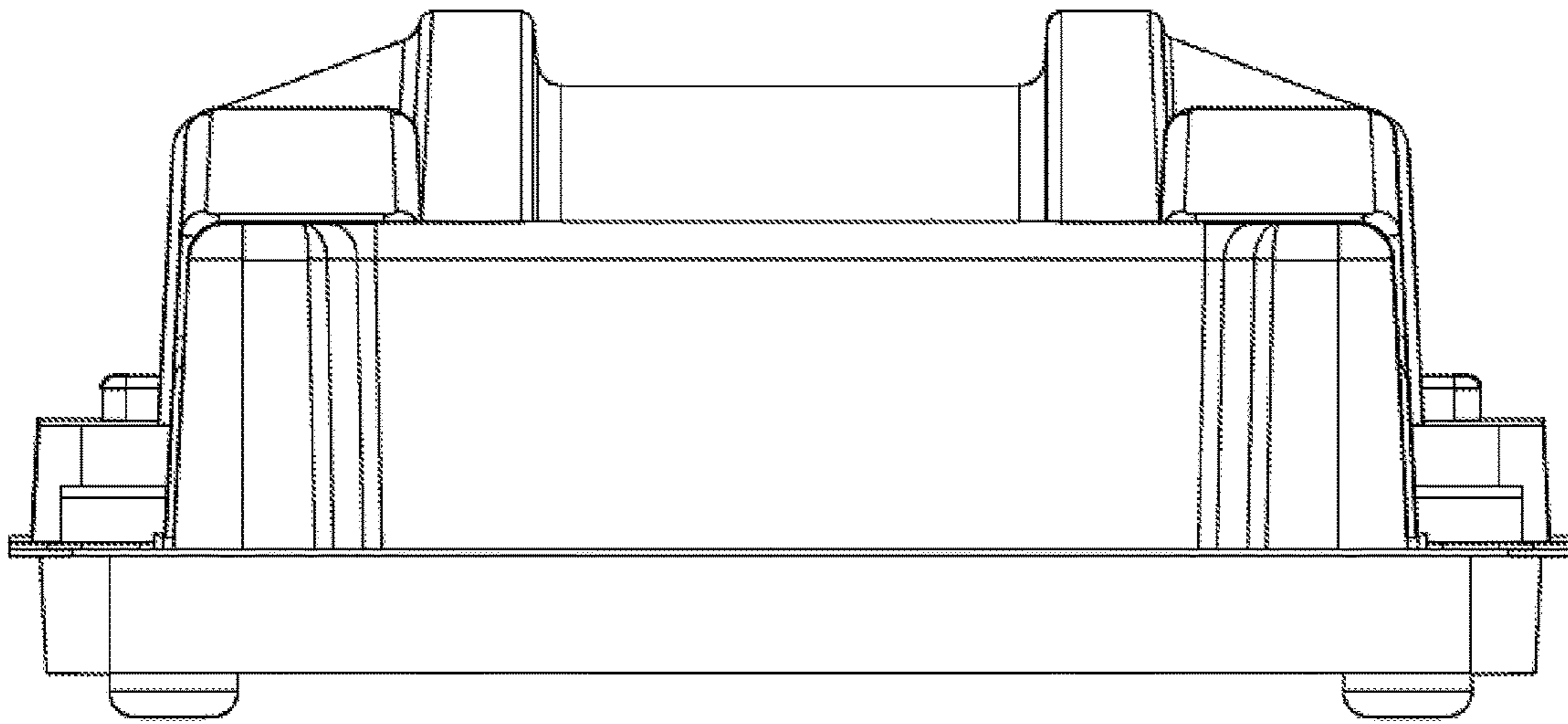


Fig. 5

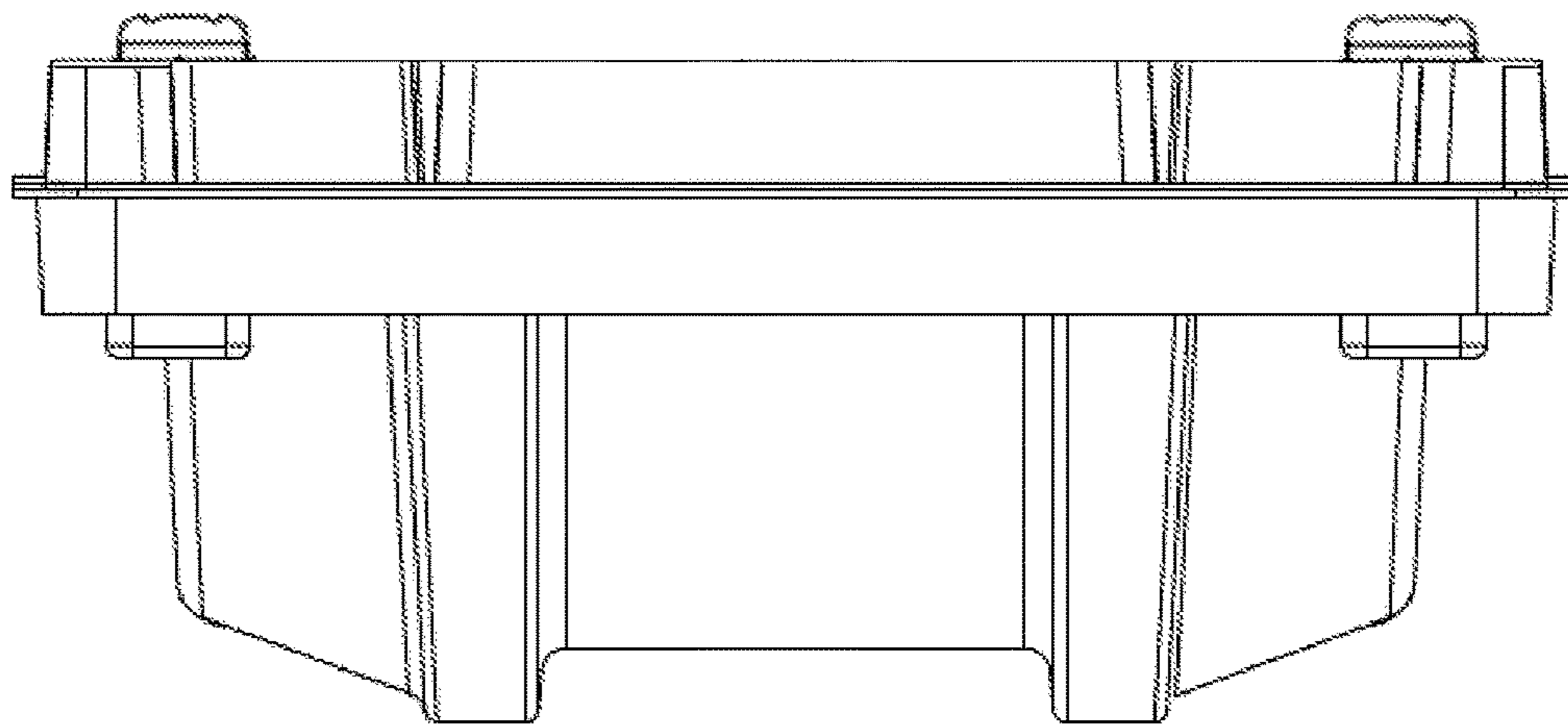


Fig. 6

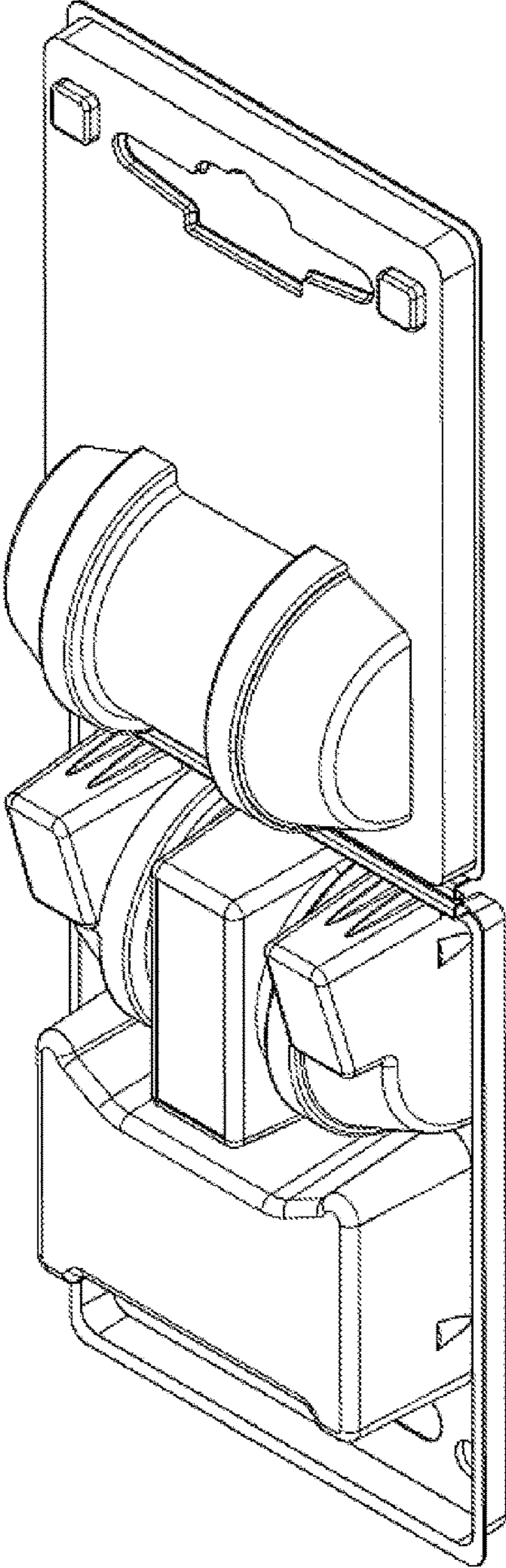


Fig. 7



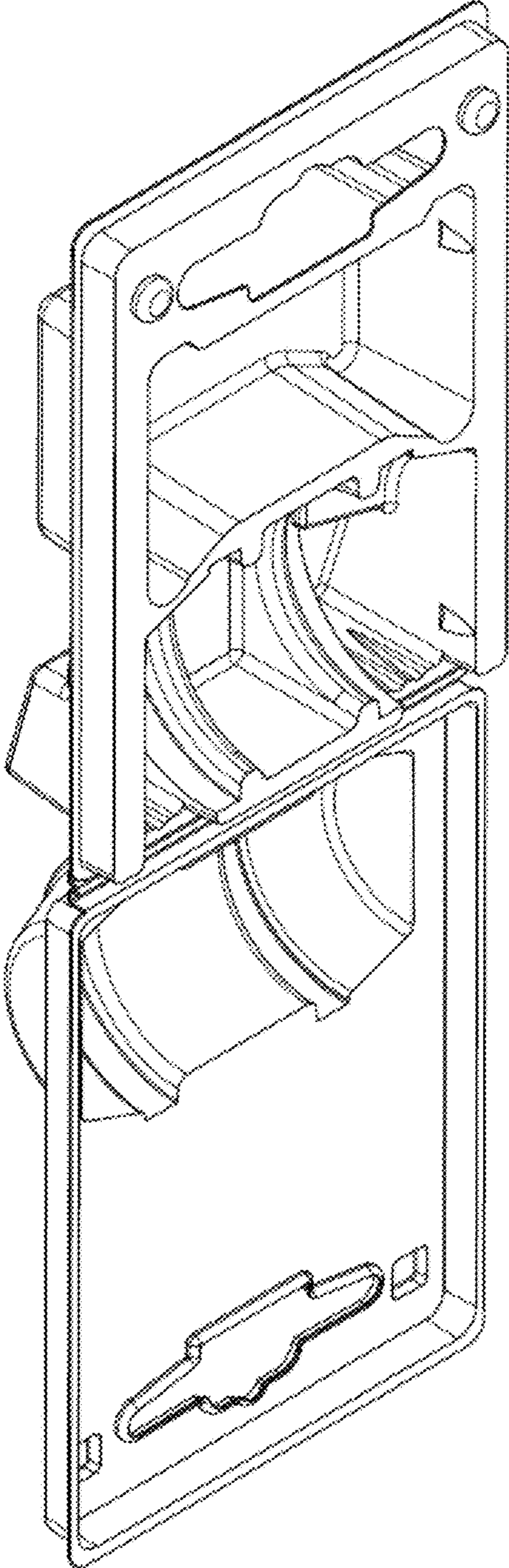


Fig. 8

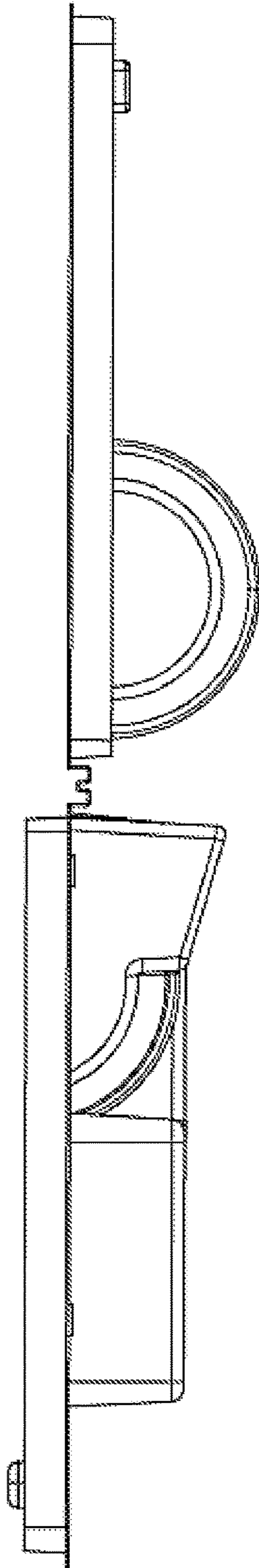


Fig. 9