



US00D841460S

(12) **United States Design Patent** (10) **Patent No.:** **US D841,460 S**
Toledo (45) **Date of Patent:** **** Feb. 26, 2019**

(54) **TRANSPARENT DOOR LOCK DISPLAY PACKAGE**

(71) Applicant: **Jorge Toledo**, Dorado, PR (US)

(72) Inventor: **Jorge Toledo**, Dorado, PR (US)

(**) Term: **15 Years**

(21) Appl. No.: **29/574,050**

(22) Filed: **Aug. 11, 2016**

Related U.S. Application Data

(63) Continuation-in-part of application No. 29/509,826, filed on Nov. 21, 2014, now abandoned, which is a continuation-in-part of application No. 29/476,765, filed on Dec. 17, 2013, now abandoned.

(51) **LOC (11) Cl.** **09-03**

(52) **U.S. Cl.**
USPC **D9/425**

(58) **Field of Classification Search**
USPC D9/414–416, 418, 420, 424–426,
D9/428–430, 432, 434, 435, 455–457,
D9/499
CPC B65D 75/323; B65D 75/367
See application file for complete search history.

(56) **References Cited**

U.S. PATENT DOCUMENTS

- D184,525 S * 3/1959 Lurie D9/424
- 3,939,979 A * 2/1976 Neumayer B65D 75/366
206/461
- D294,123 S * 2/1988 Hill D9/415
- D369,547 S * 5/1996 Dahlheimer D9/415
- D370,174 S * 5/1996 Bergstedt D9/415
- 6,079,561 A * 6/2000 Burkard B65D 75/323
206/459.5
- D466,009 S * 11/2002 Humphrey D9/415

(Continued)

OTHER PUBLICATIONS

Wilko. Yale Replacement Door Lock Cylinder Maximum Security Part No. PKM3545. Feb. 21, 2017 [earliest online date], [site visited Jun. 2, 2017]. Available from Internet, URL: <http://www.wilko.com/all-door-handles+knobs/yale-replacement-door-lock-cylinder-maximum-security-part-number-pkm3545/invt/0345441>.*

Primary Examiner — George D. Kirschbaum

Assistant Examiner — Darcey E Heflin

(74) *Attorney, Agent, or Firm* — Eugenio J. Torres Oyola; Victor M. Rodriguez-Reyes; Rafael Rodriguez-Muriel

(57) **CLAIM**

The ornamental design for a transparent door lock display package, as shown and described.

DESCRIPTION

FIG. 1 is a front view of a transparent door lock display package showing the present design.

FIG. 2 is an enlarged front view of the upper section of the package taken in the direction of line 2 of FIG. 1.

FIG. 3 is an enlarged front view of the lower section of the package taken in the direction of line 3 of FIG. 1.

FIG. 4 is a side view of the package showing the present design.

FIG. 5 is a bottom view of the package showing the present design.

FIG. 6 is a top view of the package showing the present design.

FIG. 7 is a front perspective view of the package showing the present design.

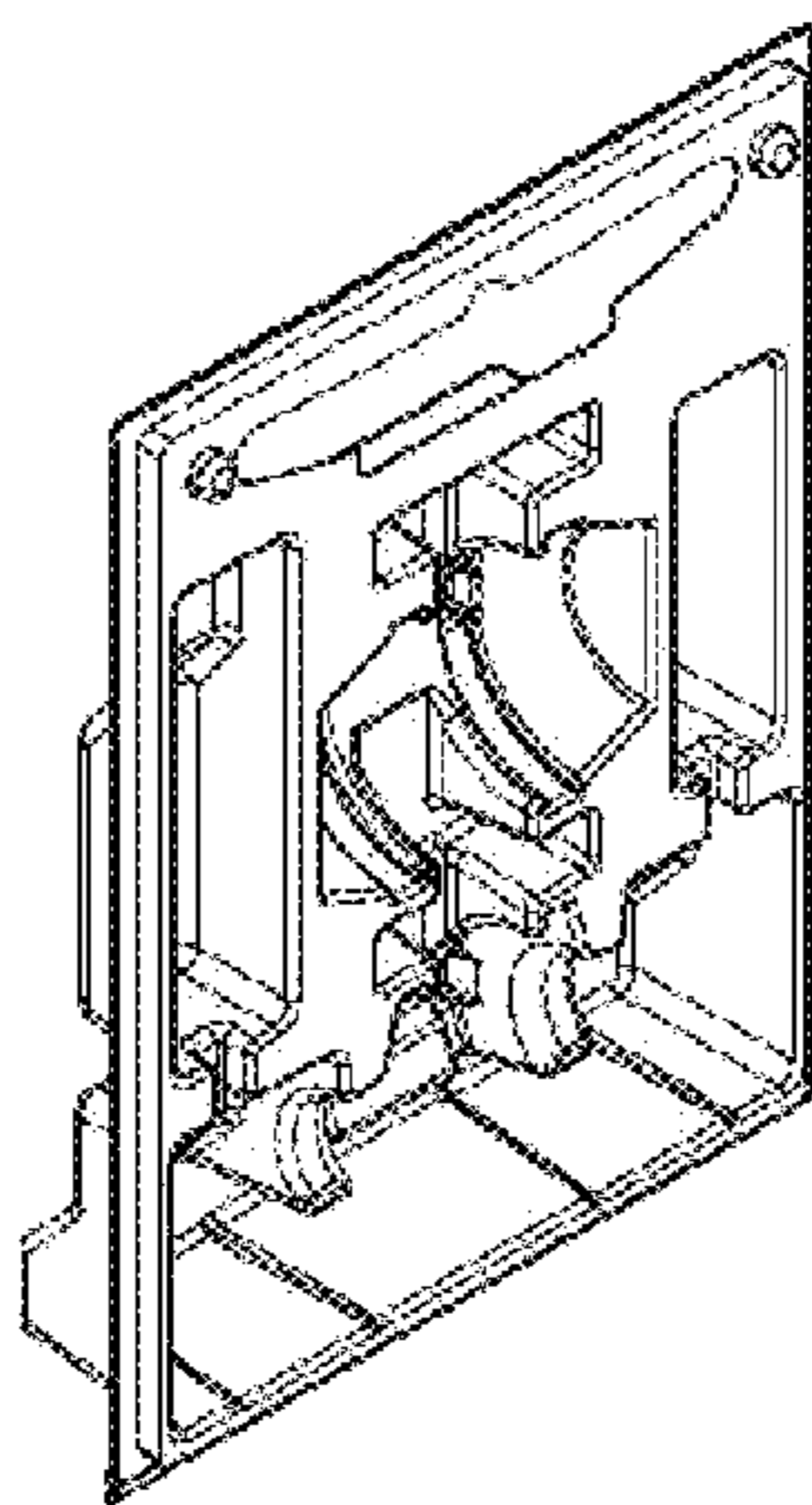
FIG. 8 is a rear perspective view of the package showing the present design.

FIG. 9 is an enlarged rear perspective view of the upper section of the package taken in the direction of line 9 of FIG. 8; and,

FIG. 10 is an enlarged rear perspective view of the lower section of the package taken in the direction of line 10 of FIG. 8.

The broken lines shown in the drawings form no part of the claimed design.

1 Claim, 9 Drawing Sheets



(56)

References Cited

U.S. PATENT DOCUMENTS

D469,686	S	*	2/2003	Yang	D9/415
D471,099	S	*	3/2003	Yang	D9/415
D519,026	S	*	4/2006	Shing	D9/415
D538,638	S	*	3/2007	Dunshee	D9/420
D620,350	S	*	7/2010	Hernandez	D9/425
D628,070	S	*	11/2010	Ma	D9/456
D628,071	S	*	11/2010	He	D9/456
D630,528	S	*	1/2011	Dombrowski	D9/415
D642,048	S	*	7/2011	Ocampo	D9/424
D654,359	S	*	2/2012	Fleming	D9/424
D661,188	S	*	6/2012	Fahy	D9/456
D661,189	S	*	6/2012	Fahy	D9/456
D697,398	S	*	1/2014	Guevara-Ludt	D9/415
D739,226	S	*	9/2015	Hagl	D9/416
D758,850	S	*	6/2016	Dibnah	D9/429
D767,987	S	*	10/2016	Wu	D9/415
D777,570	S	*	1/2017	Toledo	D9/425

* cited by examiner

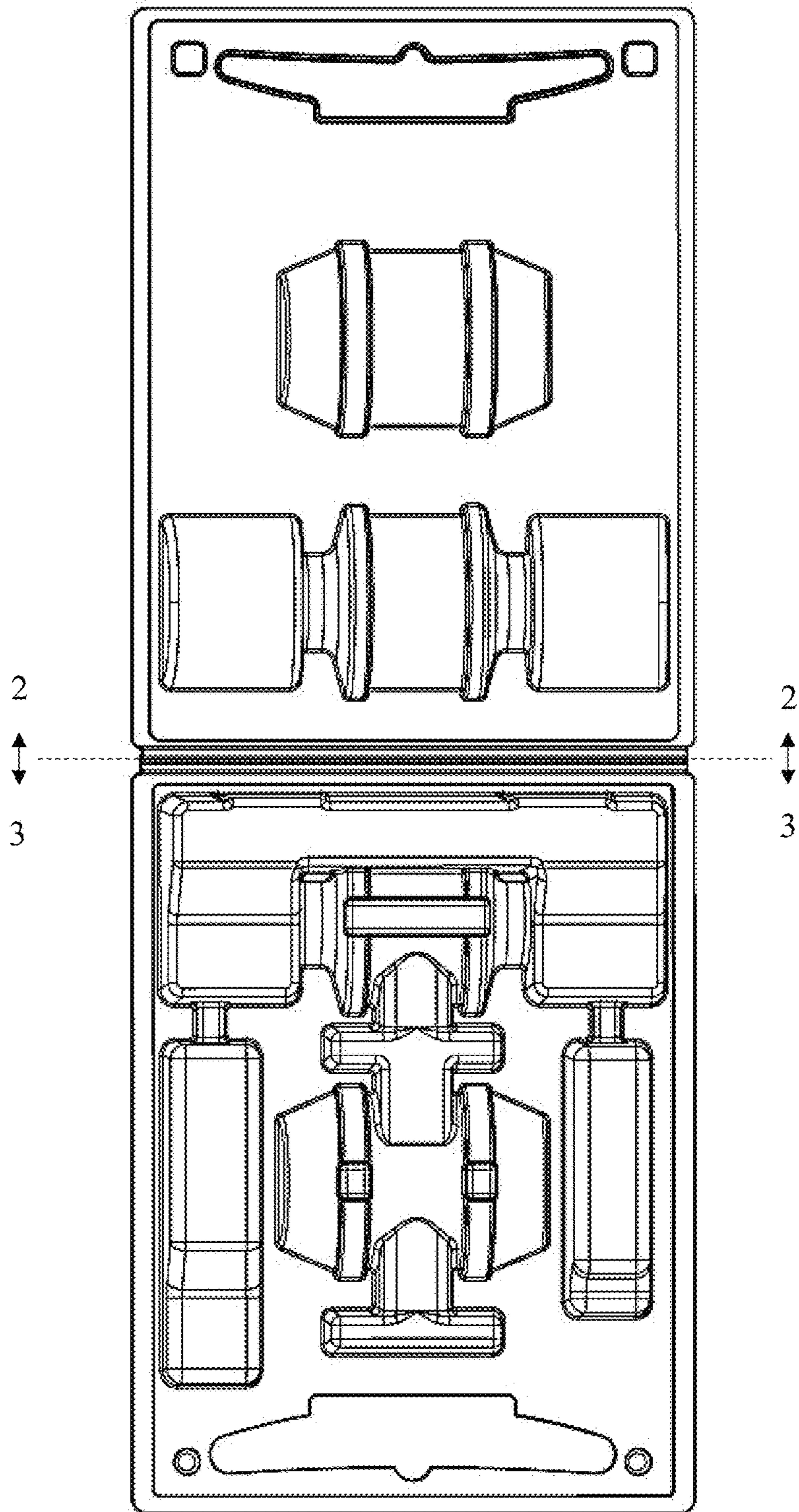


Fig. 1

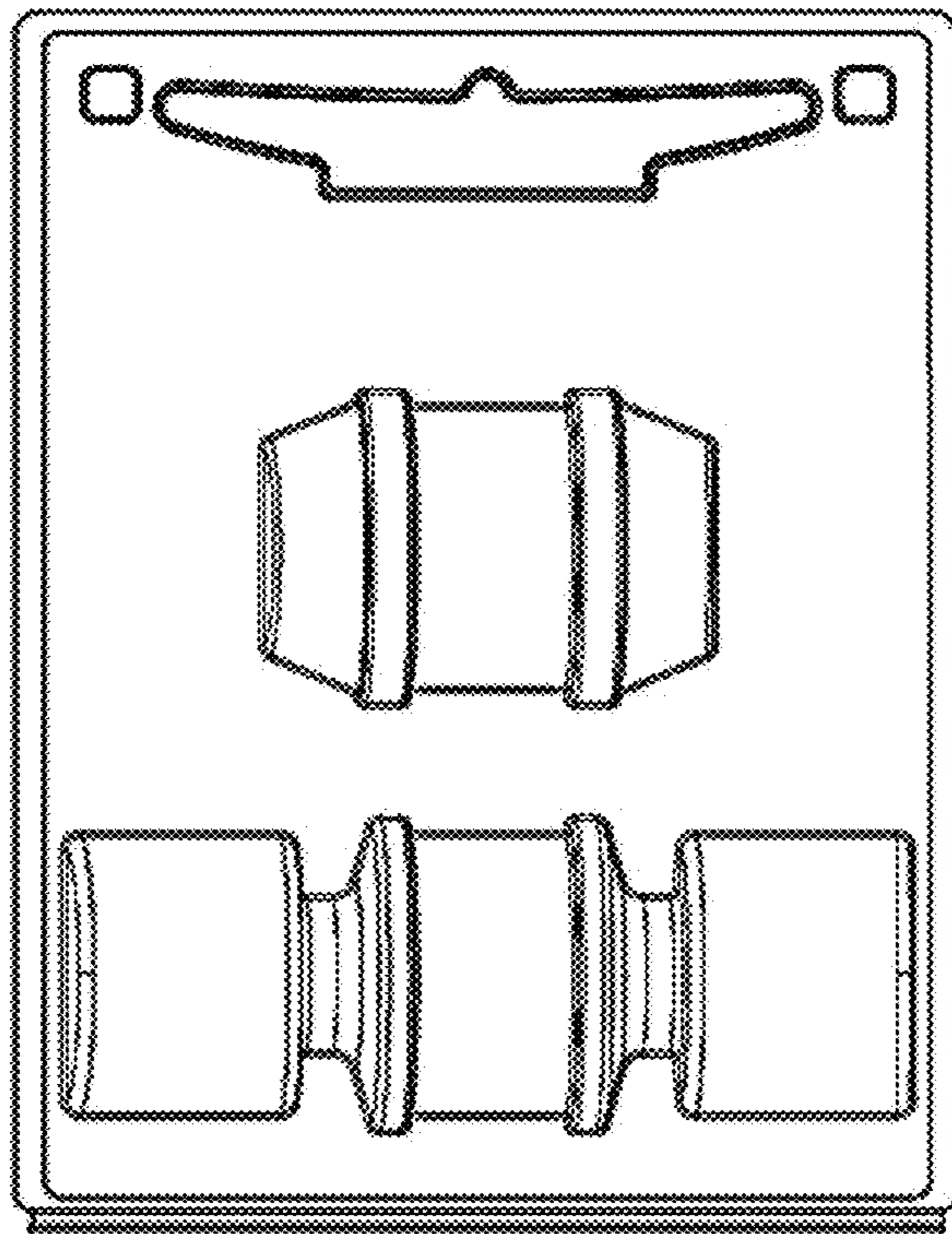


Fig. 2

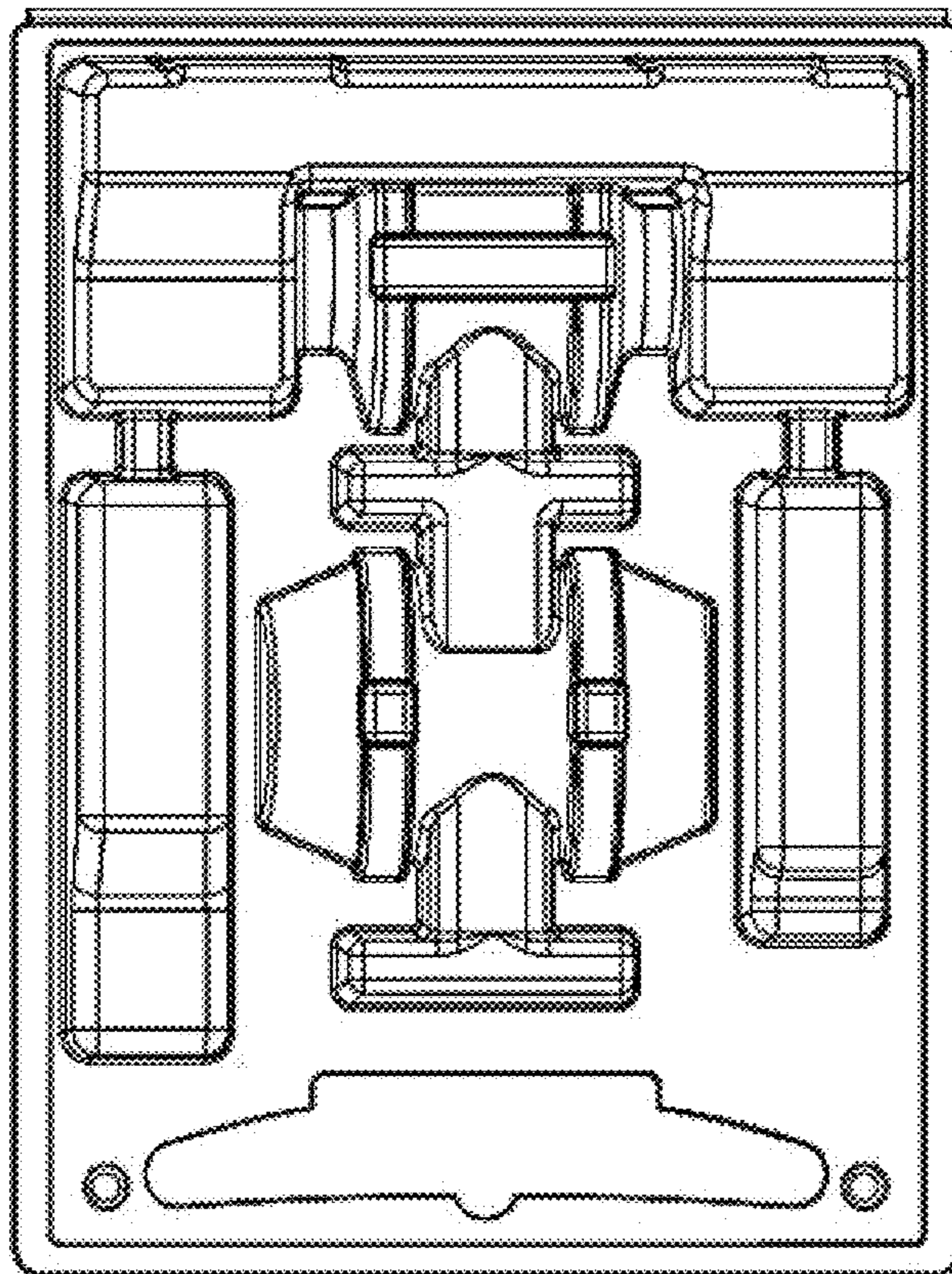


Fig. 3

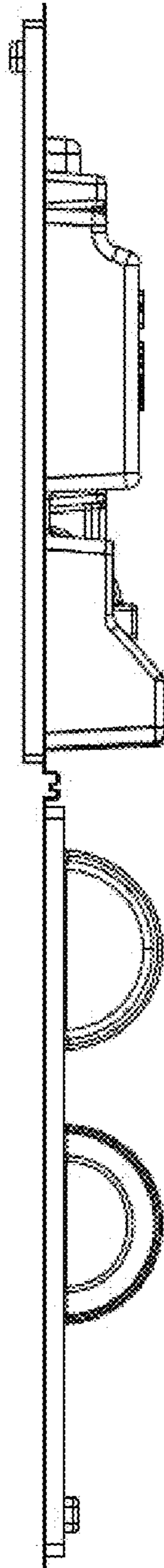


Fig. 4

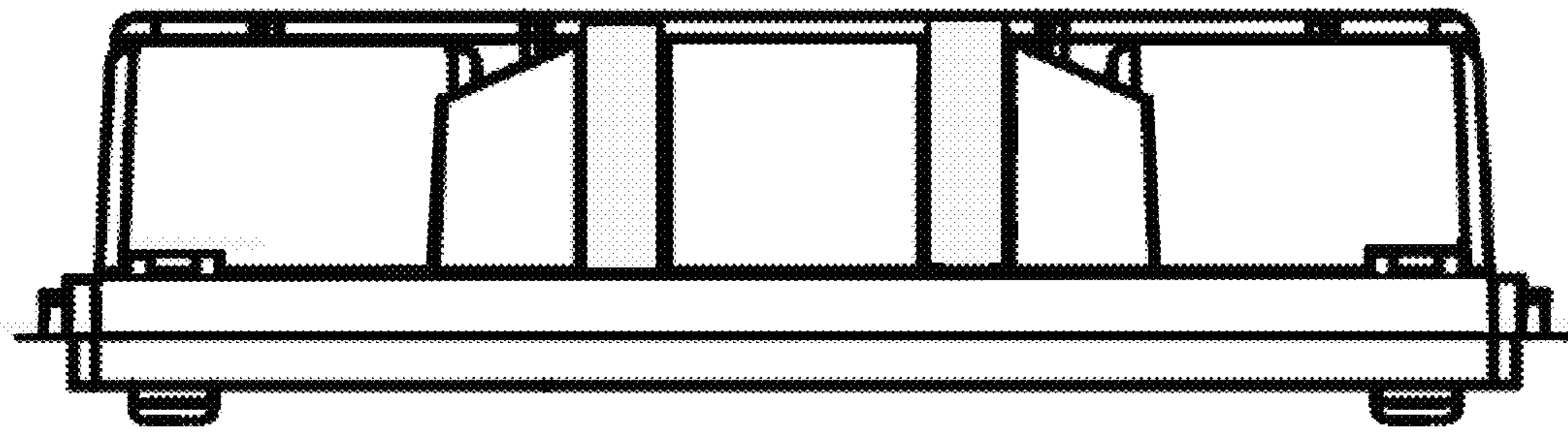


Fig. 5

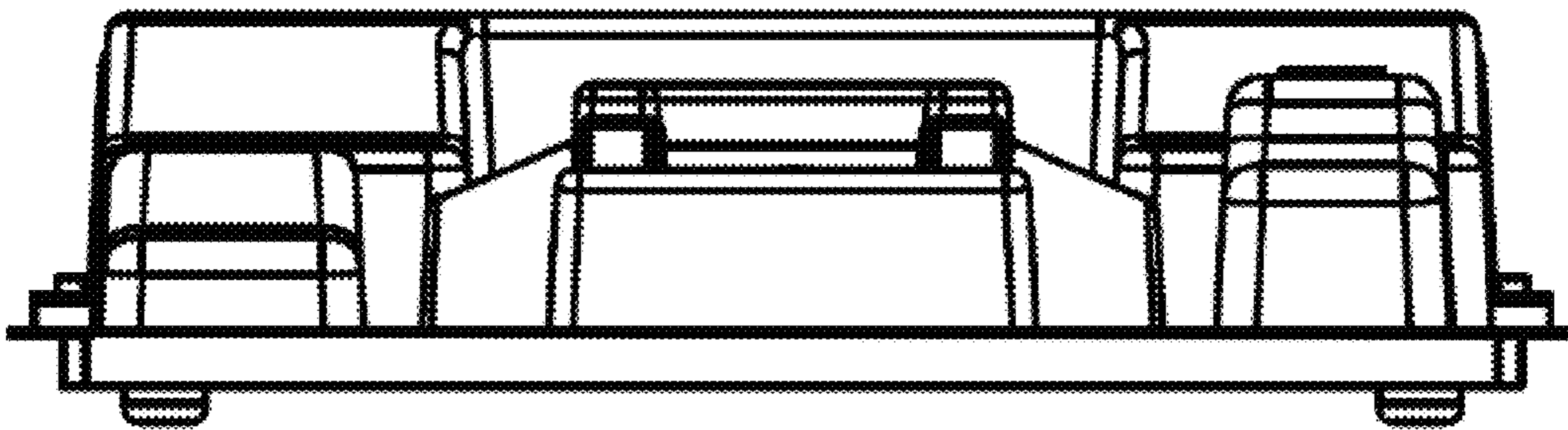


Fig. 6

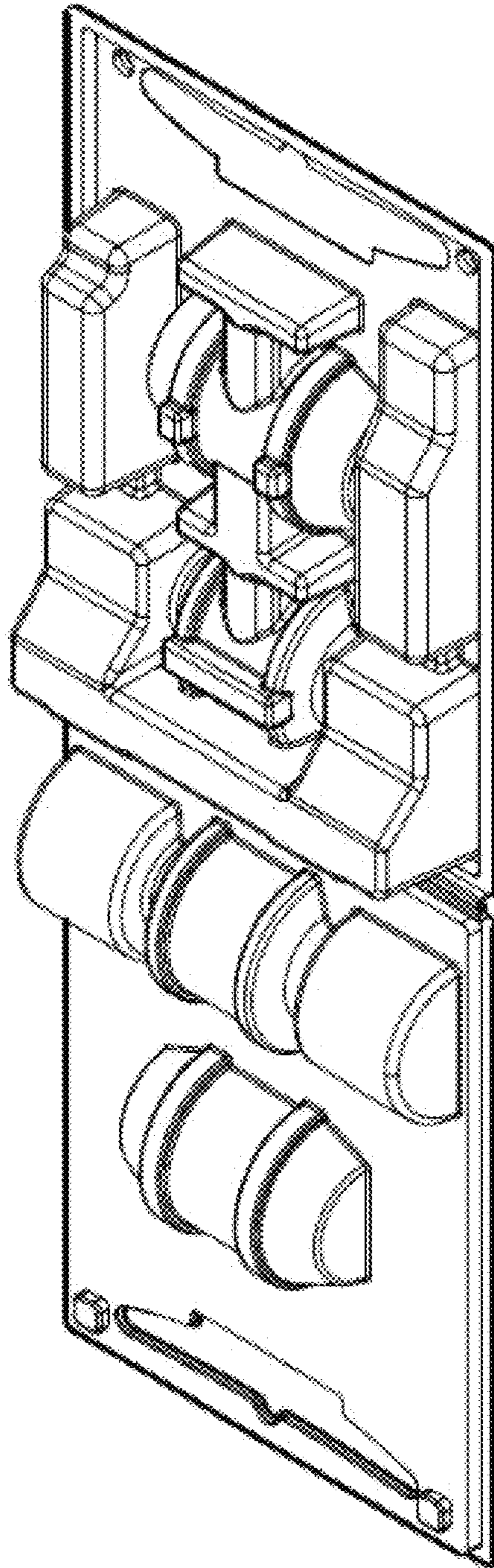


Fig. 7

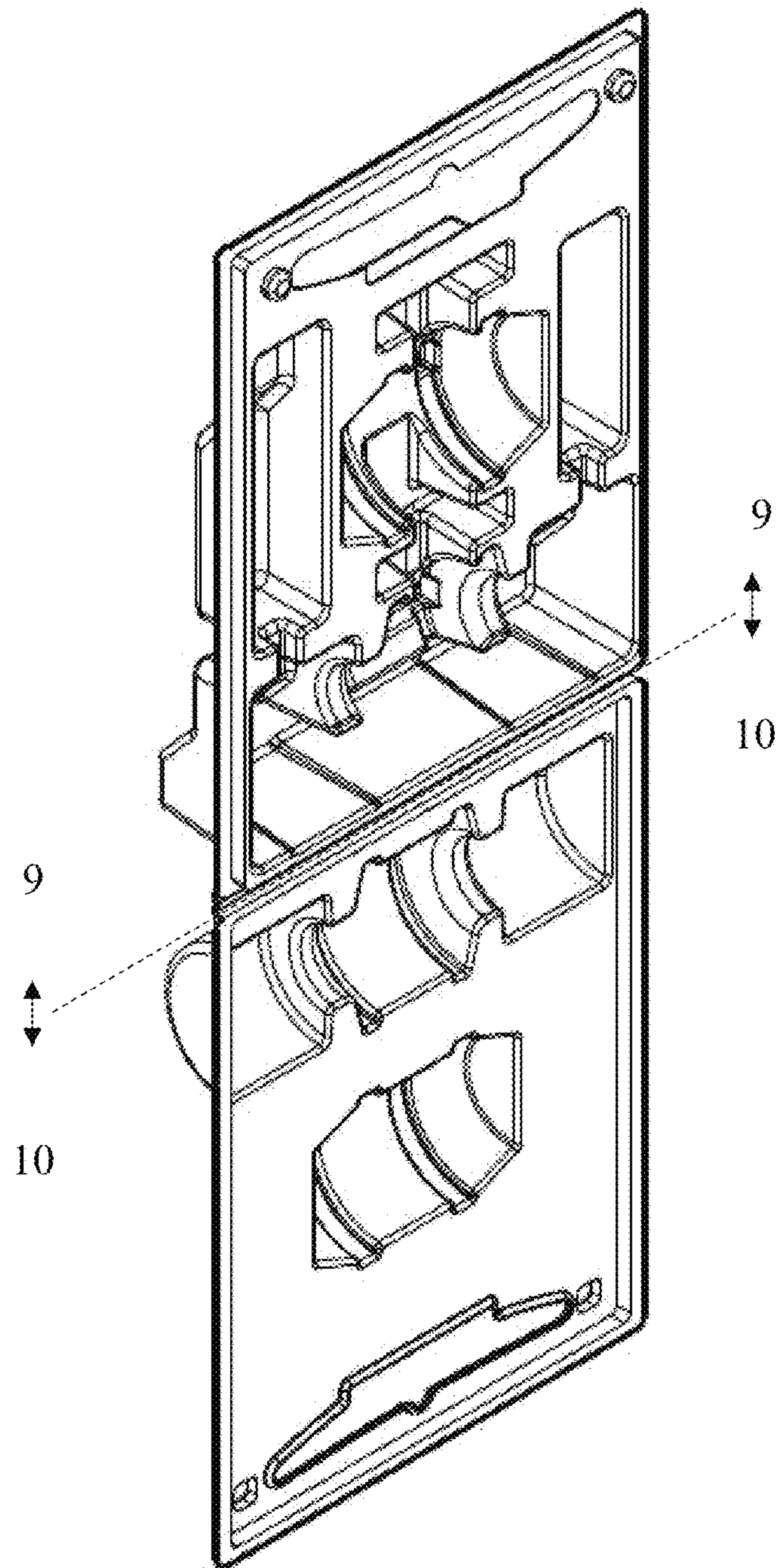


Fig. 8

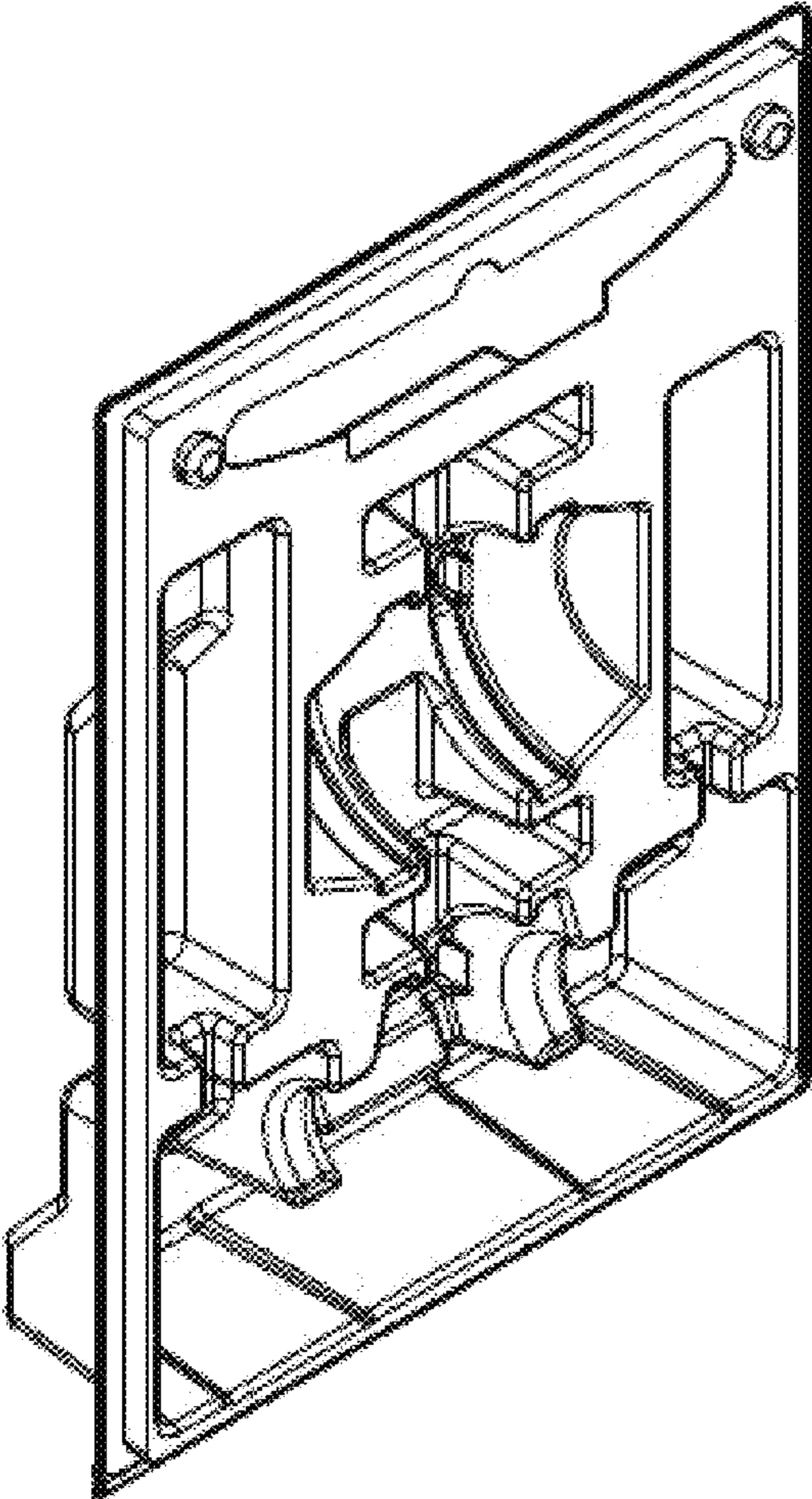


Fig. 9

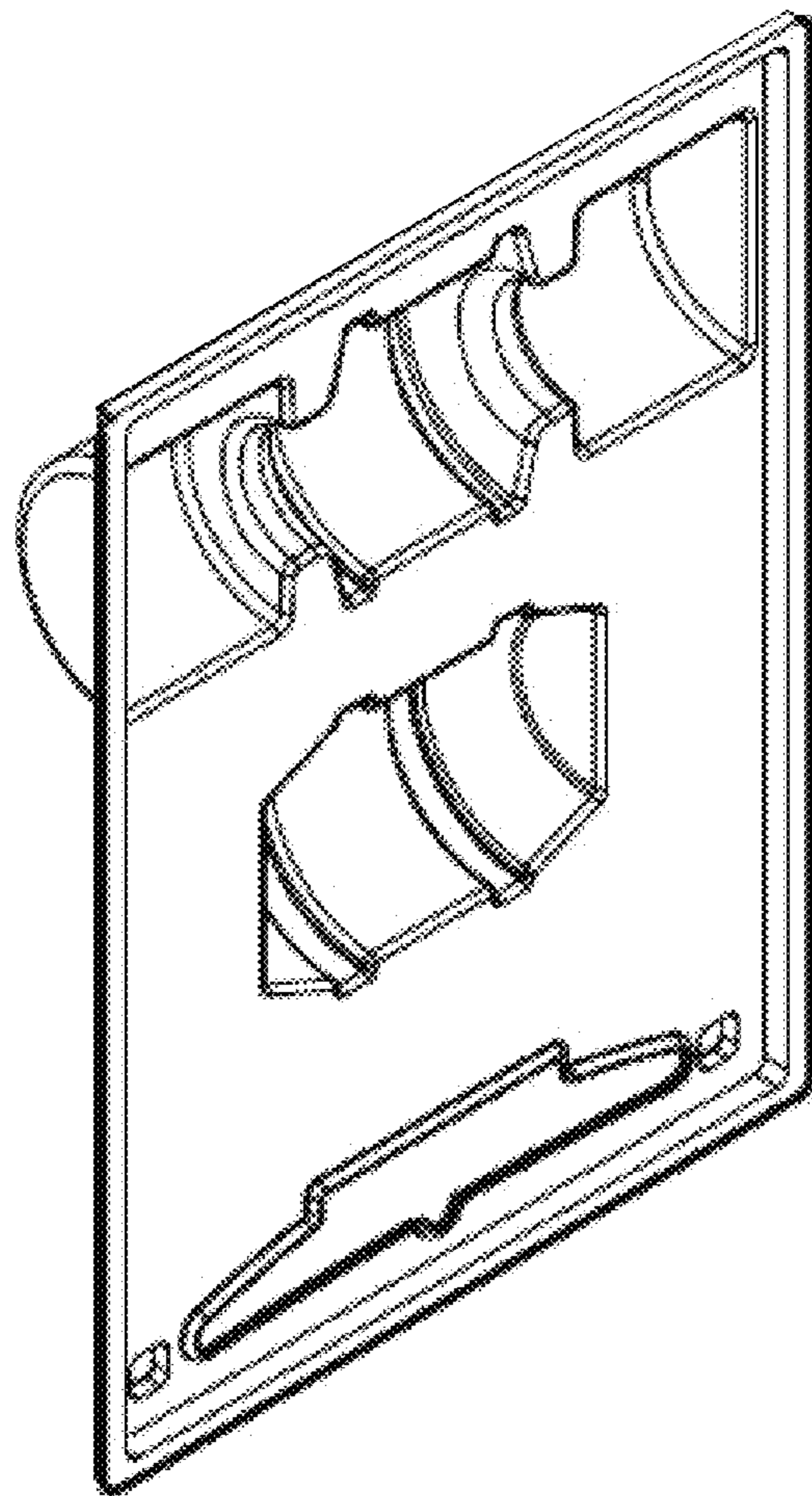


Fig. 10