



US00D841459S

(12) **United States Design Patent** (10) **Patent No.:** **US D841,459 S**  
**Toledo** (45) **Date of Patent:** **\*\* Feb. 26, 2019**

(54) **TRANSPARENT DOOR LOCK DISPLAY PACKAGE**

(71) Applicant: **Jorge Toledo**, Dorado, PR (US)

(72) Inventor: **Jorge Toledo**, Dorado, PR (US)

(\*\*) Term: **15 Years**

(21) Appl. No.: **29/574,025**

(22) Filed: **Aug. 11, 2016**

**Related U.S. Application Data**

(63) Continuation-in-part of application No. 29/509,830, filed on Nov. 21, 2014, now abandoned, which is a continuation-in-part of application No. 29/476,764, filed on Dec. 13, 2013.

(51) **LOC (11) Cl.** ..... **09-03**

(52) **U.S. Cl.**  
USPC ..... **D9/425**

(58) **Field of Classification Search**  
USPC ..... D9/414–416, 418, 420, 424–426,  
D9/428–430, 432, 434, 435, 455–457,  
D9/499

CPC ..... B65D 75/323; B65D 75/367  
See application file for complete search history.

(56) **References Cited**

**U.S. PATENT DOCUMENTS**

D184,525 S \* 3/1959 Lurie ..... D9/424  
3,939,979 A \* 2/1976 Neumayer ..... B65D 75/366  
206/461  
D294,123 S \* 2/1988 Hill ..... D9/415  
D369,547 S \* 5/1996 Dahlheimer ..... D9/415  
D370,174 S \* 5/1996 Bergstedt ..... D9/415

(Continued)

**OTHER PUBLICATIONS**

Wilko. Yale Replacement Door Lock Cylinder Maximum Security Part No. PKM3545. Feb. 21, 2017 [earliest online date], [site visited

Jun. 2, 2017]. Available from Internet, URL:<http://www.wilko.com/all-door-handles+knobs/yale-replacement-door-lock-cylinder-maximum-security-part-number-pkm3545/invt/0345441>.\*

*Primary Examiner* — George D. Kirschbaum

*Assistant Examiner* — Darcey E Heflin

(74) *Attorney, Agent, or Firm* — Eugenio J. Torres-Oyola; Victor M. Rodriguez-Reyes; Rafael Rodriguez-Muriel

(57) **CLAIM**

The ornamental design for a transparent door lock display package, as shown and described.

**DESCRIPTION**

FIG. 1 is a front view of a transparent door lock display package showing the present design.

FIG. 2 is an enlarged front-view of the upper section of the package taken in the direction of line 2 of FIG. 1.

FIG. 3 is an enlarged front view of the lower section of the package taken in the direction of line 3 of FIG. 1.

FIG. 4 is a right side view of the package showing the present design.

FIG. 5 is a left side view of the package showing the present design.

FIG. 6 is a bottom view of the package showing the present design.

FIG. 7 is a top view of the package showing the present design.

FIG. 8 is a front perspective view of the package showing the present design

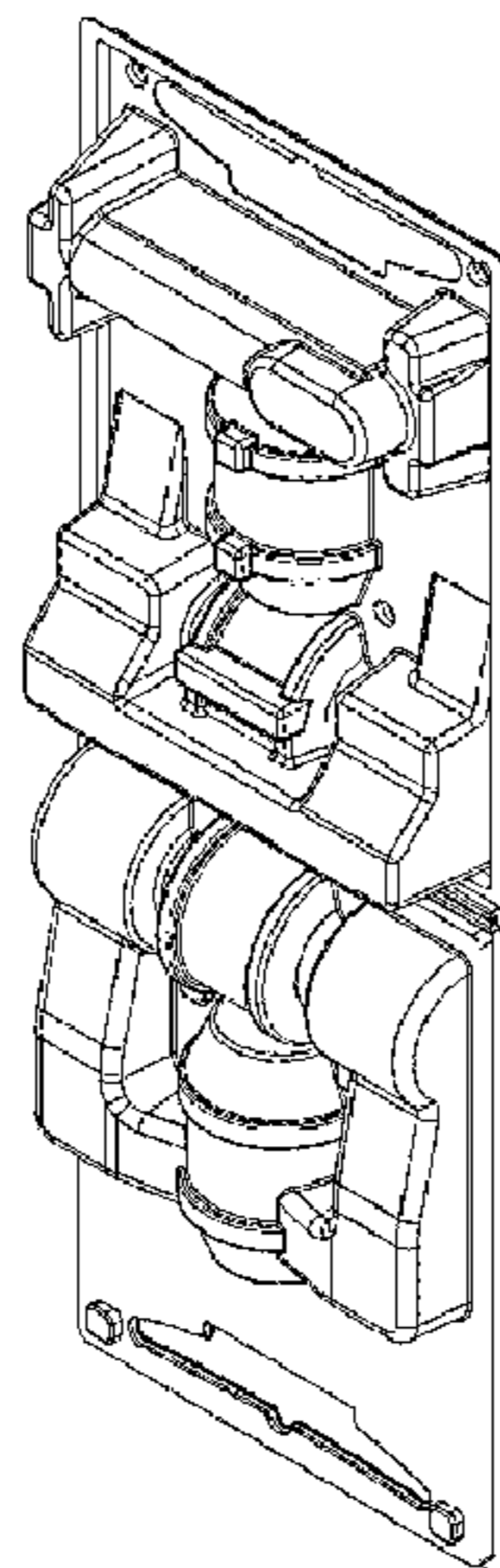
FIG. 9 is a rear perspective view of the package showing the present design.

FIG. 10 is an enlarged rear perspective view of the upper section of the package taken in the direction of line 10 of FIG. 9; and,

FIG. 11 is an enlarged rear perspective view of the lower section of the package taken in the direction of line 11 of FIG. 9.

The broken lines shown in the drawings form no part of the claimed design.

**1 Claim, 10 Drawing Sheets**



(56)

**References Cited**

## U.S. PATENT DOCUMENTS

6,079,561	A	*	6/2000	Burkard	.....	B65D 75/323 206/459.5
D466,009	S	*	11/2002	Humphrey	.....	D9/415
D469,686	S	*	2/2003	Yang	.....	D9/415
D471,099	S	*	3/2003	Yang	.....	D9/415
D519,026	S	*	4/2006	Shing	.....	D9/415
D538,638	S	*	3/2007	Dunshee	.....	D9/420
D620,350	S	*	7/2010	Hernandez	.....	D9/425
D628,070	S	*	11/2010	Ma	.....	D9/456
D628,071	S	*	11/2010	He	.....	D9/456
D630,528	S	*	1/2011	Dombrowski	.....	D9/415
D642,048	S	*	7/2011	Ocampo	.....	D9/424
D654,359	S	*	2/2012	Fleming	.....	D9/424
D661,188	S	*	6/2012	Fahy	.....	D9/456
D661,189	S	*	6/2012	Fahy	.....	D9/456
D697,398	S	*	1/2014	Guevara-Ludt	.....	D9/415
D739,226	S	*	9/2015	Hagl	.....	D9/416
D758,850	S	*	6/2016	Dibnah	.....	D9/429
D767,987	S	*	10/2016	Wu	.....	D9/415
D777,570	S	*	1/2017	Toledo	.....	D9/425

\* cited by examiner

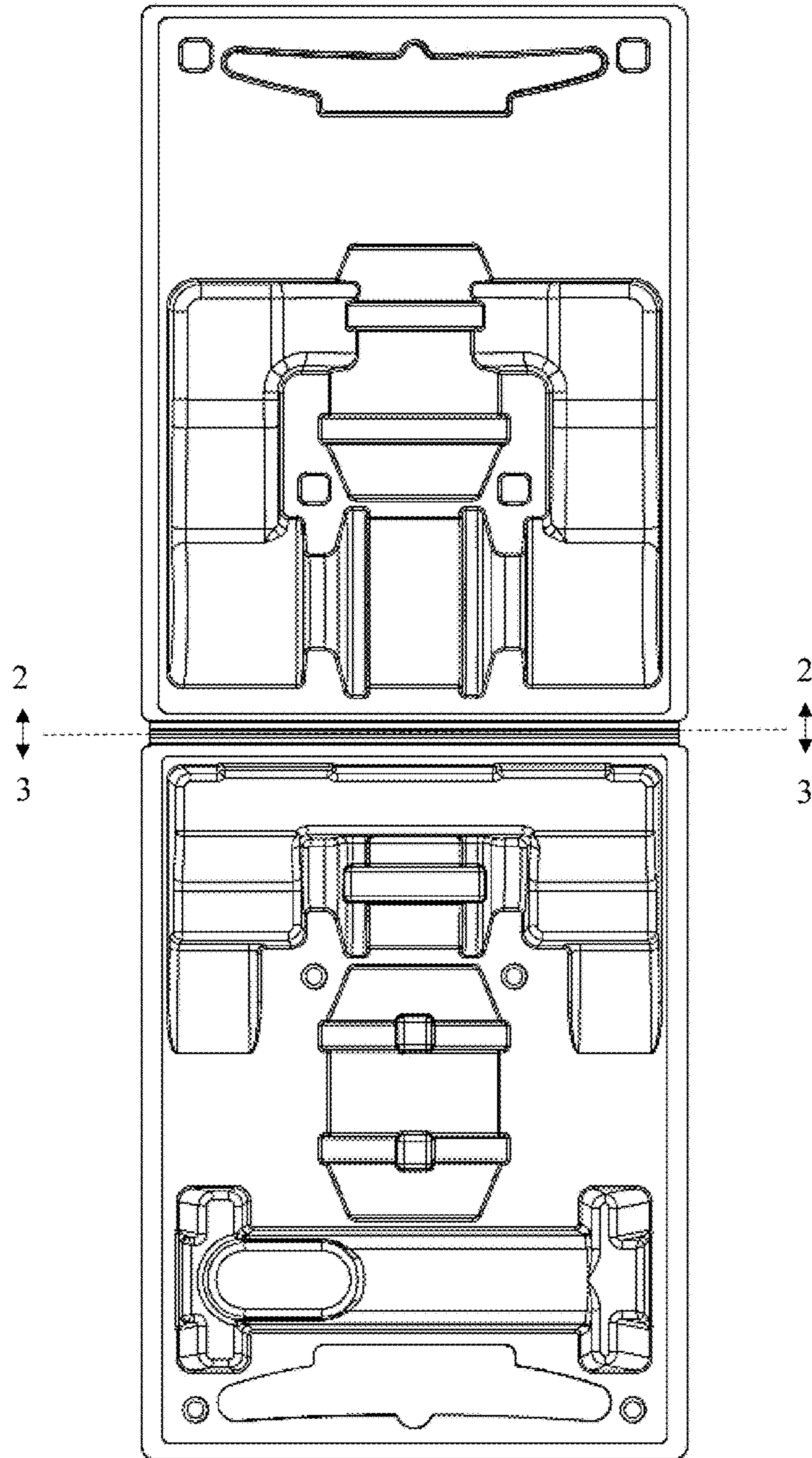


Fig. 1

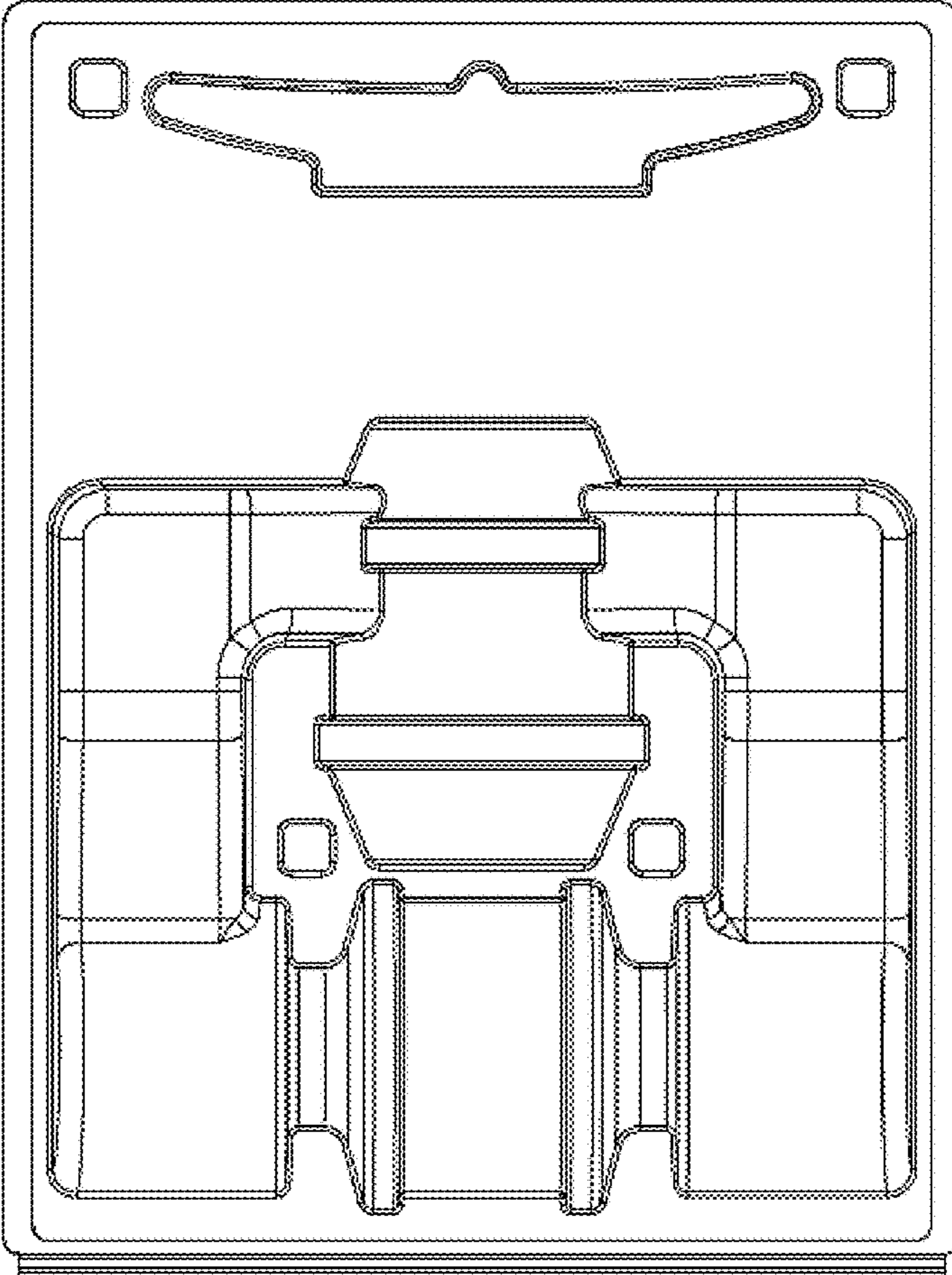


Fig. 2

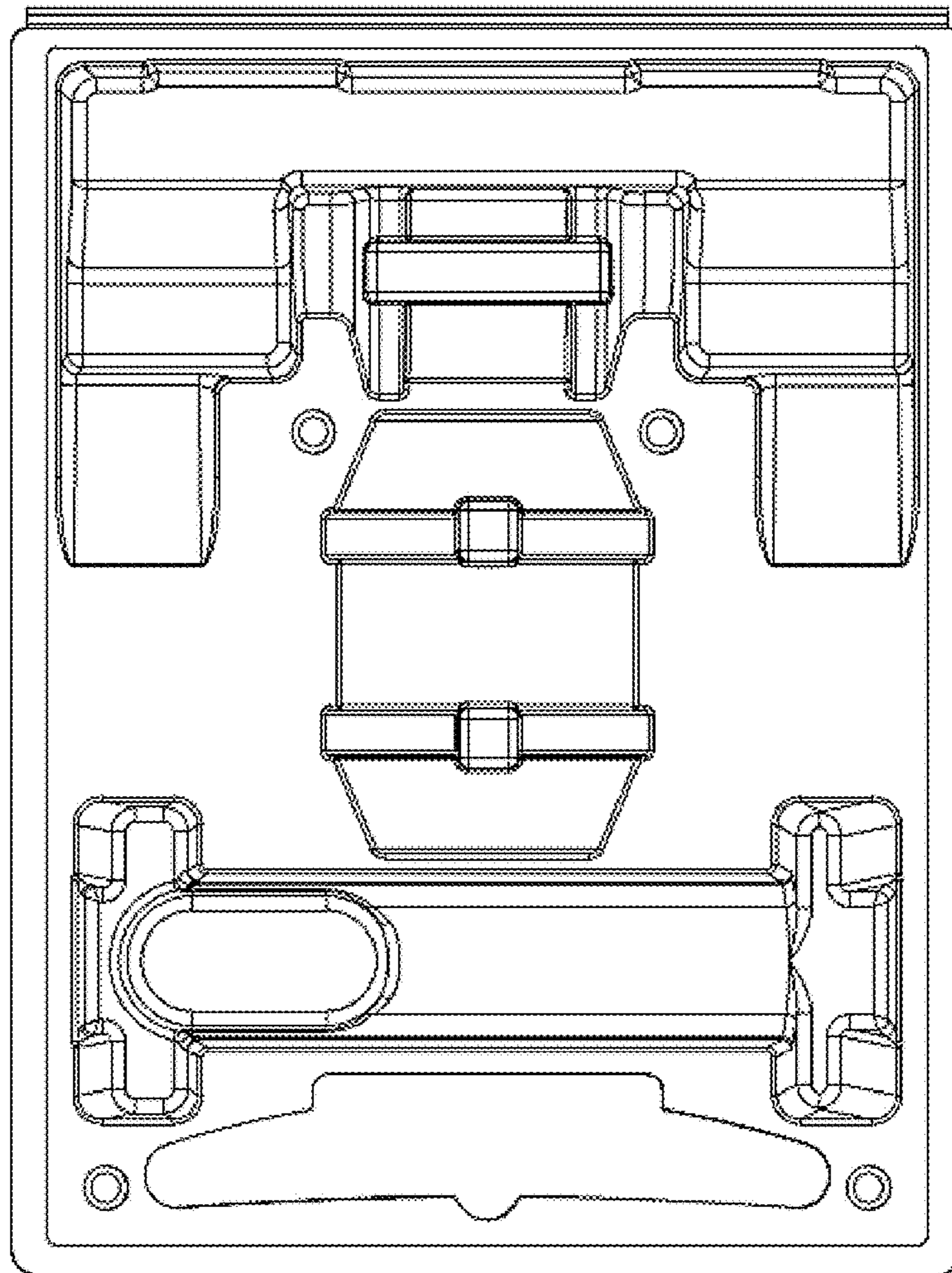


Fig. 3

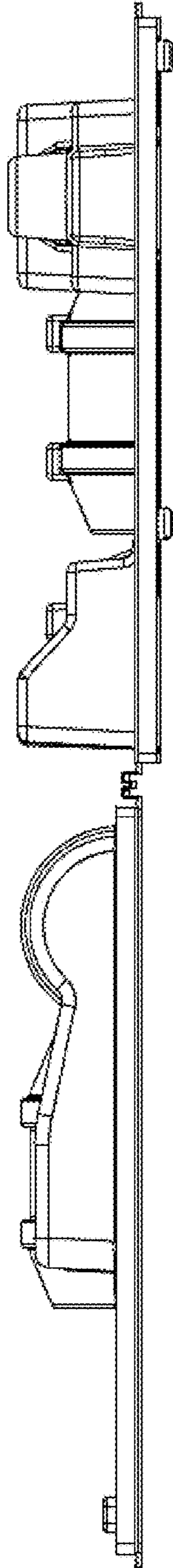


Fig. 4

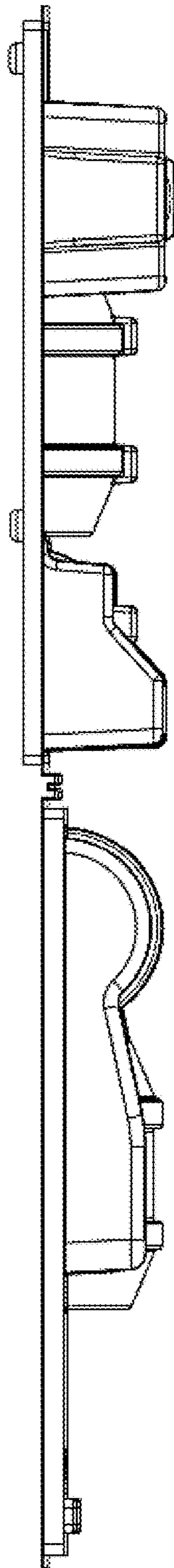


Fig. 5

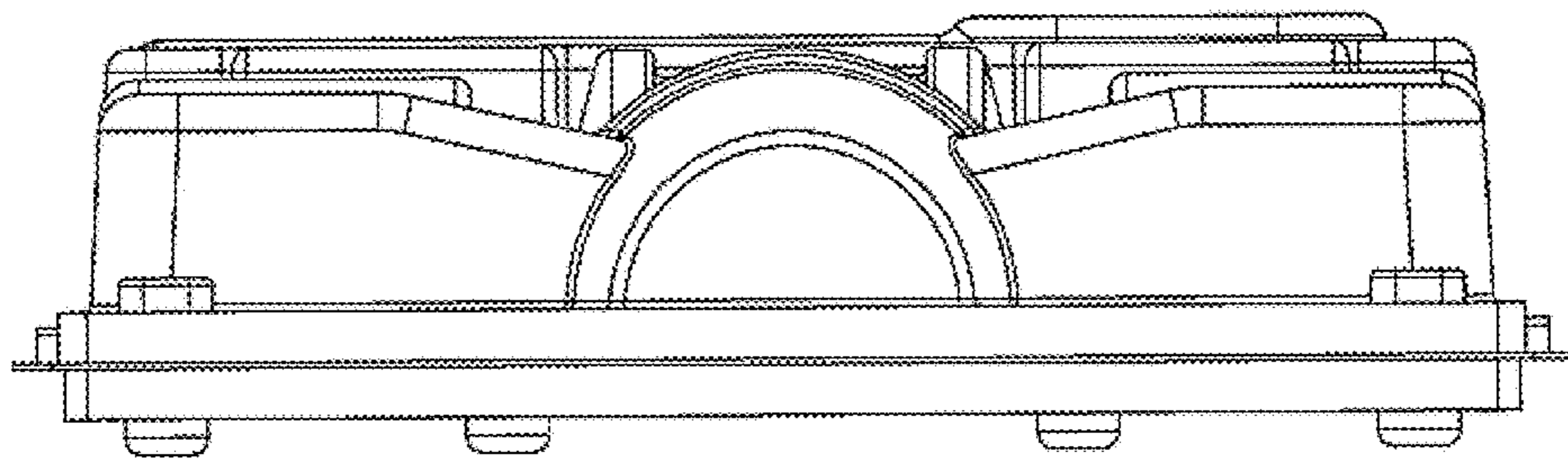


Fig. 6

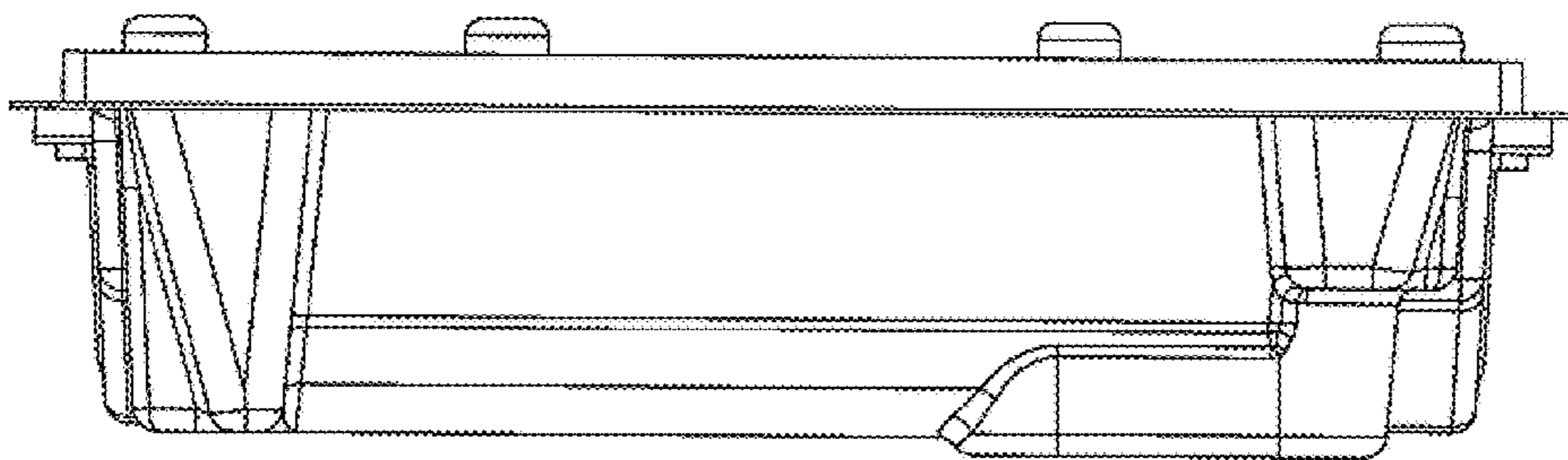


Fig. 7



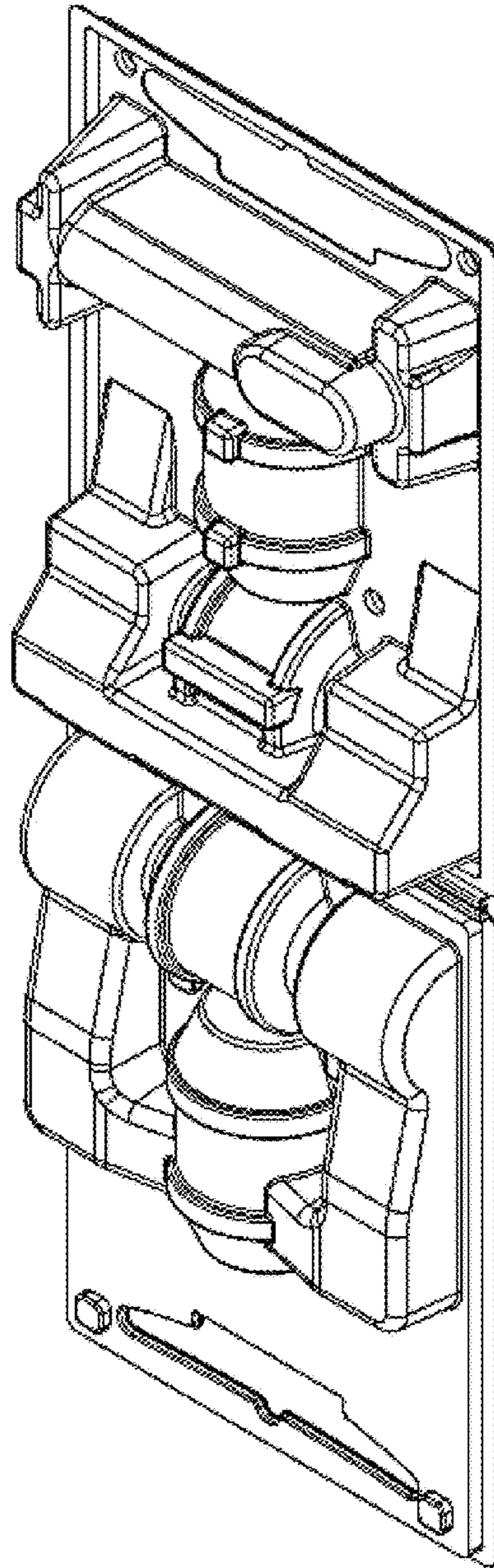


Fig. 8

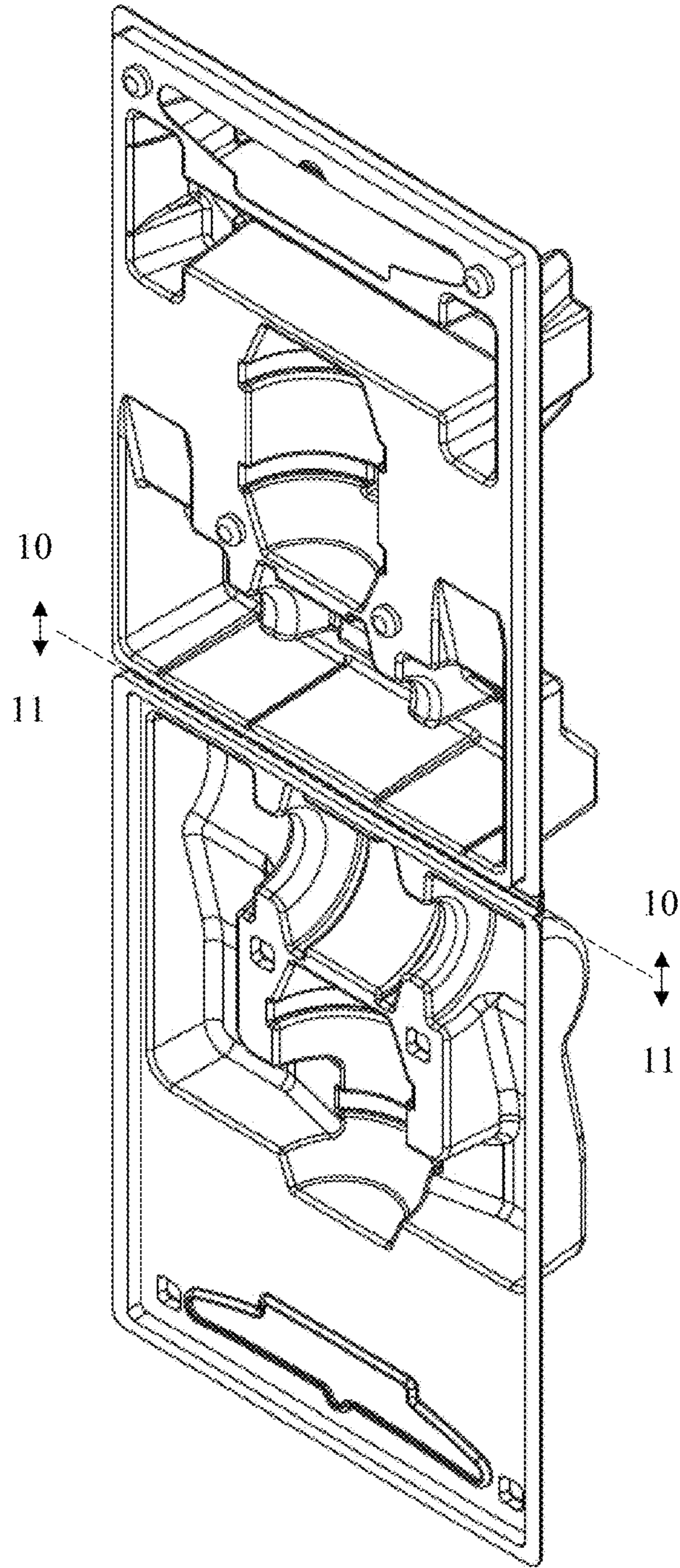


Fig. 9

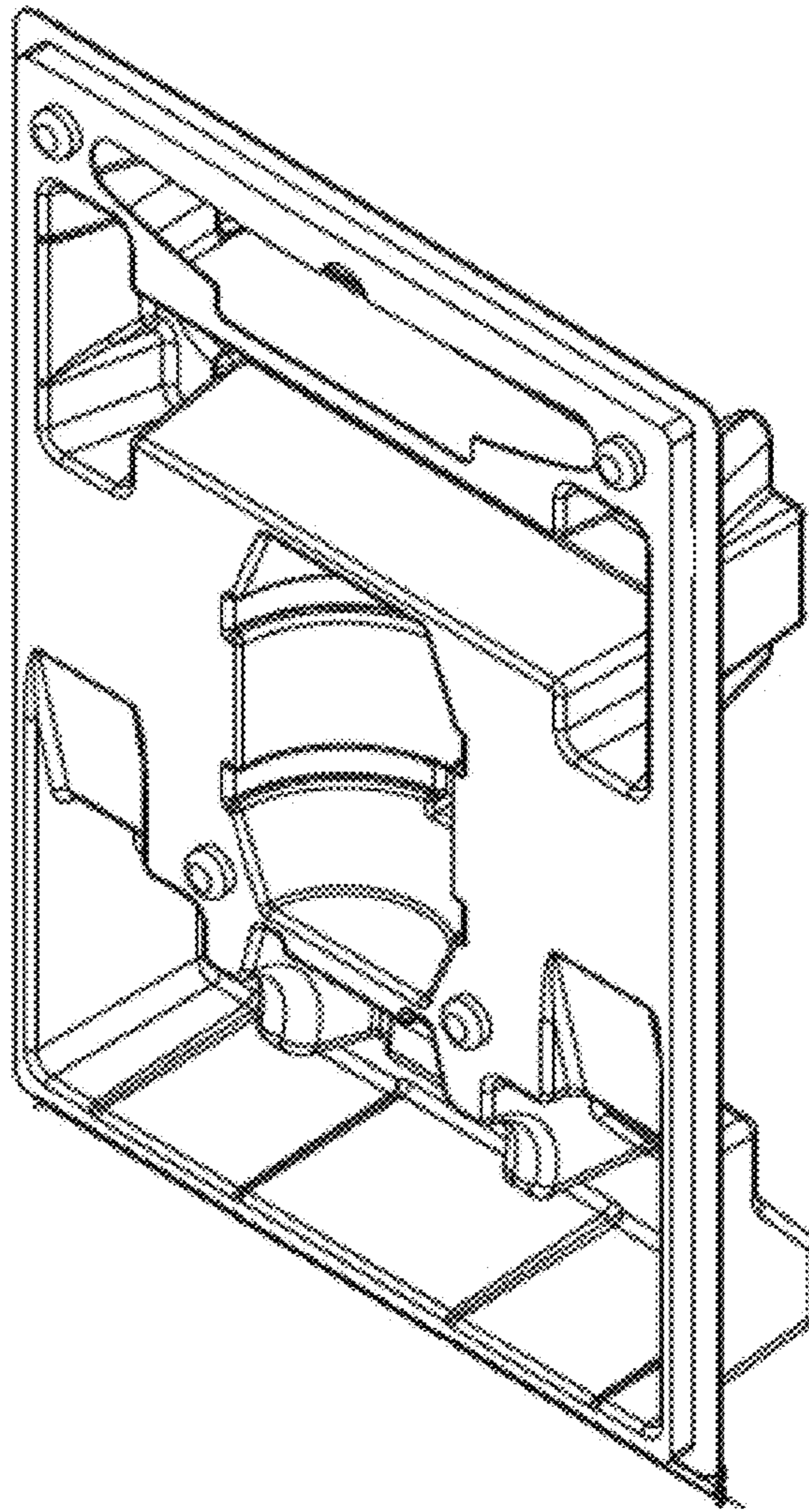


Fig. 10

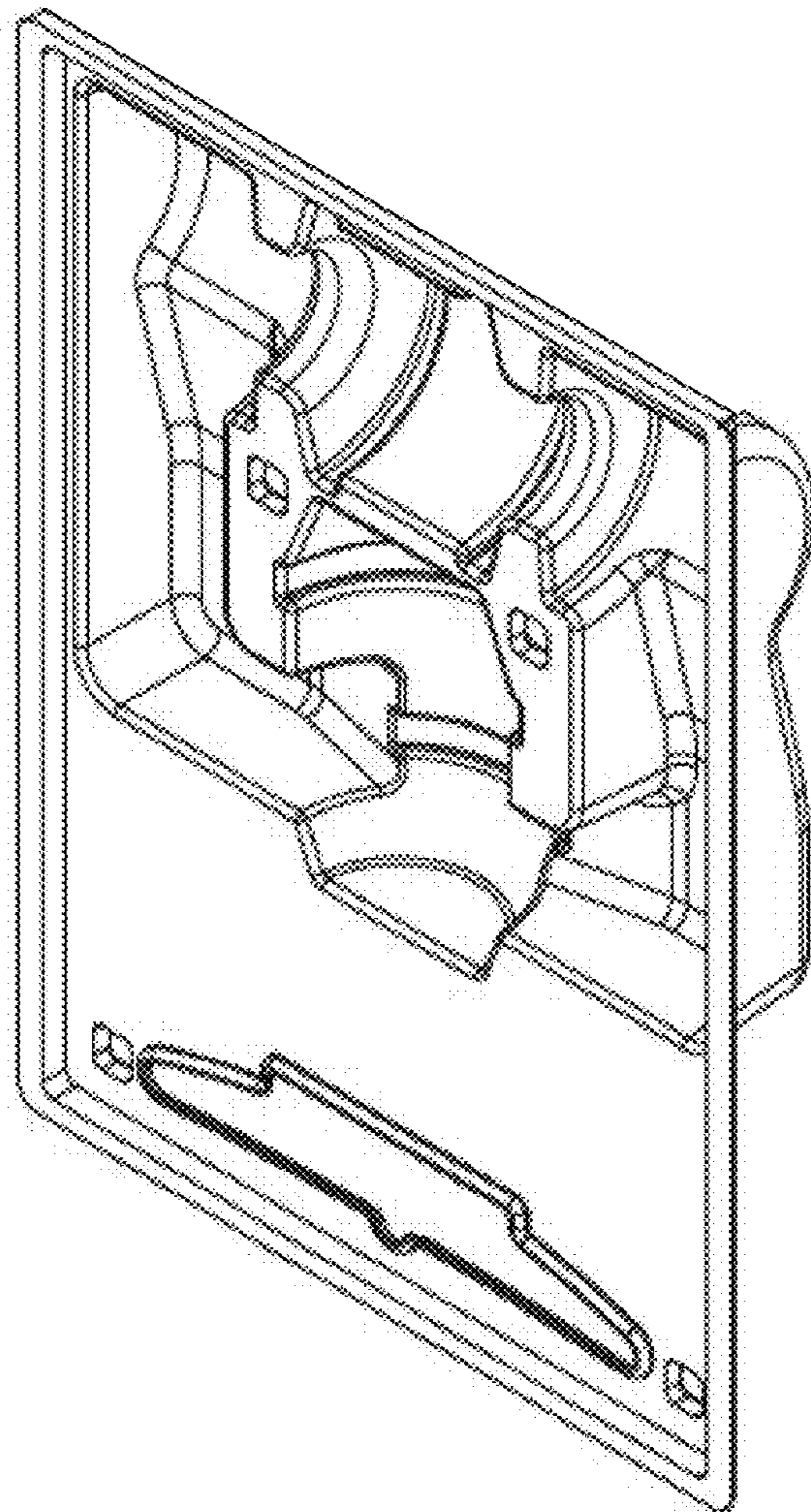


Fig. 11