



US00D841457S

(12) **United States Design Patent** (10) **Patent No.:** **US D841,457 S**  
**Brown** (45) **Date of Patent:** **\*\* Feb. 26, 2019**

(54) **TAMPER-PROOF NUT AND TOOL SET**

(71) Applicant: **Randall Brown**, Surrey (CA)

(72) Inventor: **Randall Brown**, Surrey (CA)

(\*\*) Term: **15 Years**

(21) Appl. No.: **29/621,986**

(22) Filed: **Oct. 12, 2017**

(51) **LOC (11) Cl.** ..... **08-08**

(52) **U.S. Cl.**  
USPC ..... **D8/399**

(58) **Field of Classification Search**  
USPC ..... D8/399, 382, 397, 331; 411/140, 1, 508,  
411/418; 72/267; 292/327; 248/318;  
29/434; D12/162; 24/595.1

See application file for complete search history.

(56) **References Cited**

**U.S. PATENT DOCUMENTS**

3,766,759	A *	10/1973	Artner	.....	B60R 11/0205 248/318
D245,067	S *	7/1977	Coldren	.....	D8/397
4,396,327	A *	8/1983	Menke	.....	F16B 5/02 29/434
4,398,322	A *	8/1983	Ewen	.....	F16B 21/04 24/595.1
4,521,146	A *	6/1985	Wharton	.....	F16B 41/005 411/1
4,668,143	A *	5/1987	Rotar	.....	B25B 13/485 411/140
5,064,326	A *	11/1991	Davis	.....	F16B 41/005 292/327
D414,403	S *	9/1999	Coven	.....	D8/387
D455,636	S *	4/2002	Gilbert	.....	D8/331
D487,562	S	3/2004	Campbell		
D546,157	S *	7/2007	Schluter	.....	D8/86
D563,212	S	3/2008	Campbell		
D575,634	S *	8/2008	Lin	.....	D8/397

(Continued)

**OTHER PUBLICATIONS**

Nuts. Datasheet [online]. Allegheny Bolt and Screw Corp. [retrieved on Jun. 2, 2015]. Retrieved from the Internet: <URL: http://www.alleghenybolt.com/nuts.html>. Believed by applicant's representative to have been made available to the public at least as early as Aug. 18, 2010.

(Continued)

*Primary Examiner* — Cynthia R Underwood

(74) *Attorney, Agent, or Firm* — Oyen Wiggs Green & Mutala LLP

(57) **CLAIM**

The ornamental design for a tamper-proof nut and tool set, as shown and described.

**DESCRIPTION**

FIG. 1 is a perspective view of a tamper-proof nut and tool set showing the tamper-proof nut separated from the tamper-proof tool;

FIG. 2 is a perspective view of the tamper-proof nut;

FIG. 3 is a side elevation view of the tamper-proof nut;

FIG. 4 is a top view of the tamper-proof nut;

FIG. 5 is a bottom view of the tamper-proof nut;

FIG. 6 is a perspective view of the tool;

FIG. 7 is a front elevation view of the tool;

FIG. 8 is a right side elevation view of the tool;

FIG. 9 is a rear elevation view of the tool;

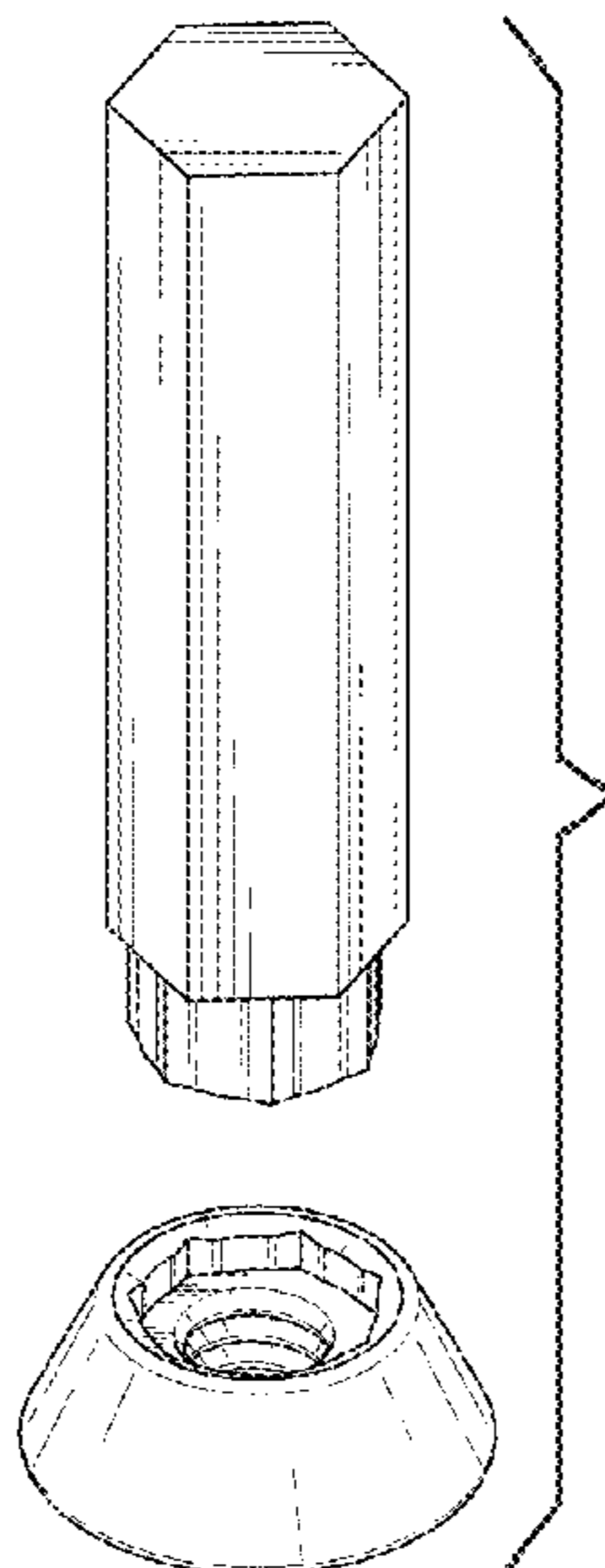
FIG. 10 is a left side elevation view of the tool;

FIG. 11 is a top view of the tool; and,

FIG. 12 is a bottom view of the tool.

The design consists of the visual features of the tamper-proof nut and tool set shown in the drawings, whether those features are one of shape, configuration, ornament, or pattern or are a combination of any of these features.

**1 Claim, 2 Drawing Sheets**



(56)

**References Cited**

## U.S. PATENT DOCUMENTS

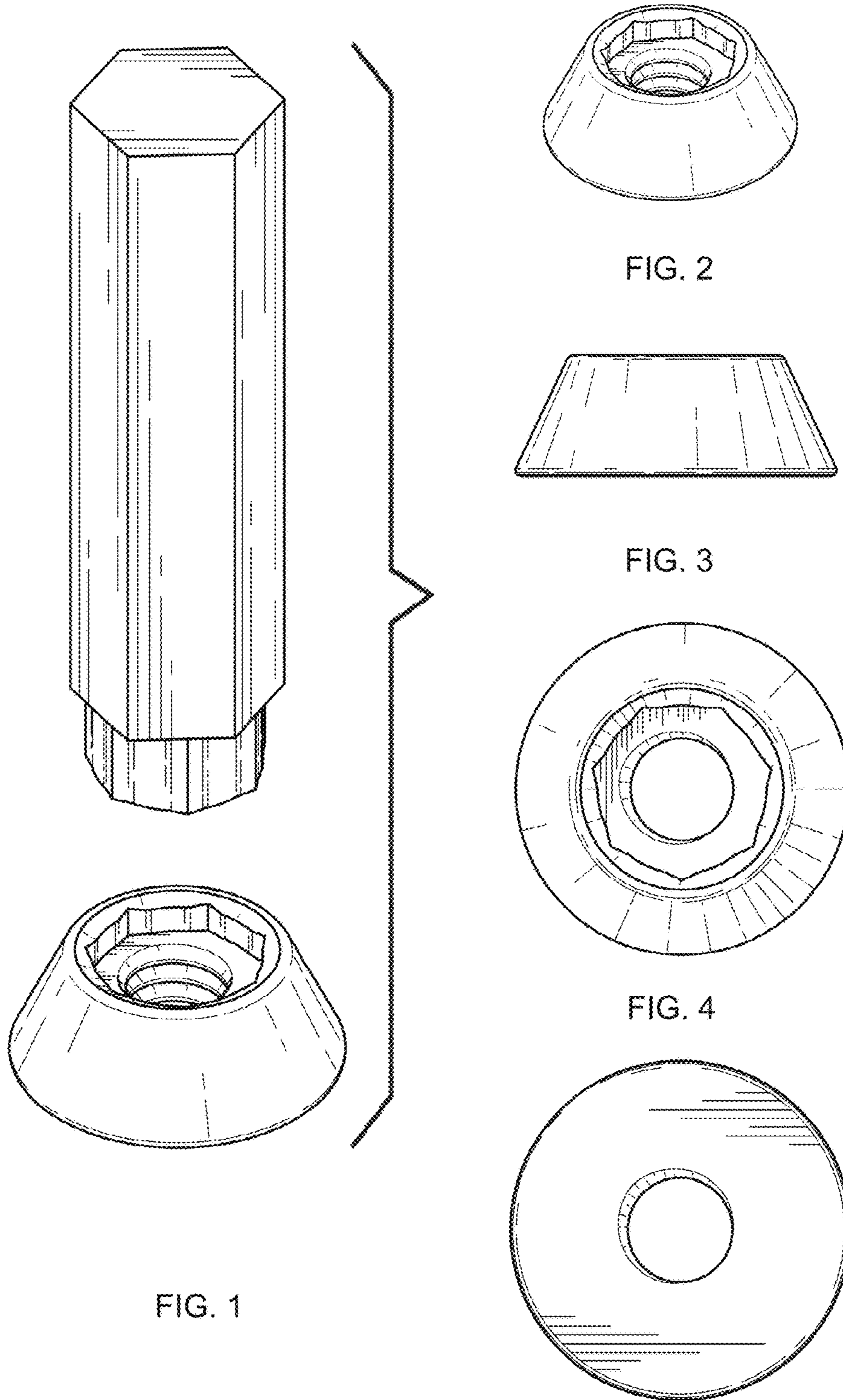
8,616,819 B1 \* 12/2013 Koster ..... F16B 21/02  
411/418  
8,959,972 B2 \* 2/2015 Chang ..... B21K 1/76  
72/267  
D770,884 S \* 11/2016 Moreau ..... D8/382  
D774,386 S 12/2016 Brown  
D777,565 S \* 1/2017 Yeh ..... D8/382  
D785,434 S \* 5/2017 Lee ..... D8/85  
D787,909 S \* 5/2017 Hsu ..... D8/86  
D811,951 S \* 3/2018 Mateko ..... D12/162  
D811,952 S \* 3/2018 Mateko ..... D12/162  
D814,913 S \* 4/2018 Baiz ..... D8/387  
D823,101 S \* 7/2018 Wassdahl ..... D8/382  
2016/0076572 A1 \* 3/2016 O'Dell ..... F16B 19/002  
411/508

## OTHER PUBLICATIONS

Tamper-Resistant Nuts. Datasheet [online]. McMaster-Carr [retrieved on Jun. 2, 2015]. Retrieved from the Internet: <URL: <http://www.mcmaster.com/#tamper-resistant-nuts/=xjupqz>>. Known by applicant to have been made available to the public at least as early as Mar. 25, 2015.

Spanner Nut, Spanner Nuts and Driver. Datasheet [online]. Tamperproof Screw Co. [retrieved on Jun. 2, 2015]. Retrieved from the Internet: <URL: <http://www.tamperproof.com/categories/spanner-nut-removable-security-nut.html>>. Believed by applicant's representative to have been made available to the public at least as early as Sep. 19, 2008.

\* cited by examiner



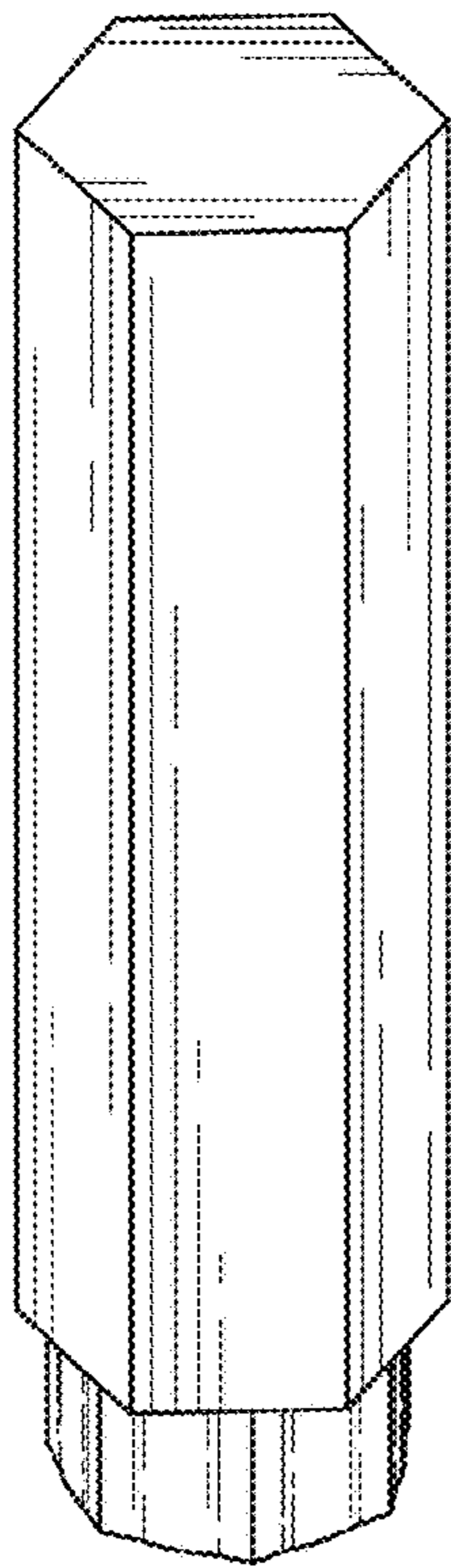


FIG. 6

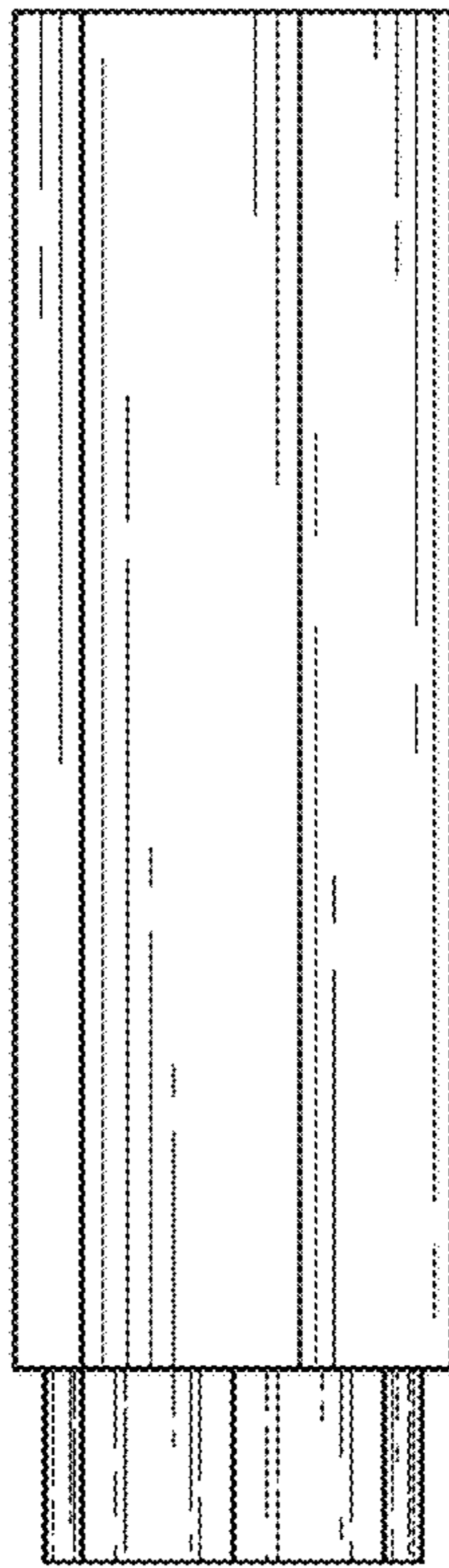


FIG. 7

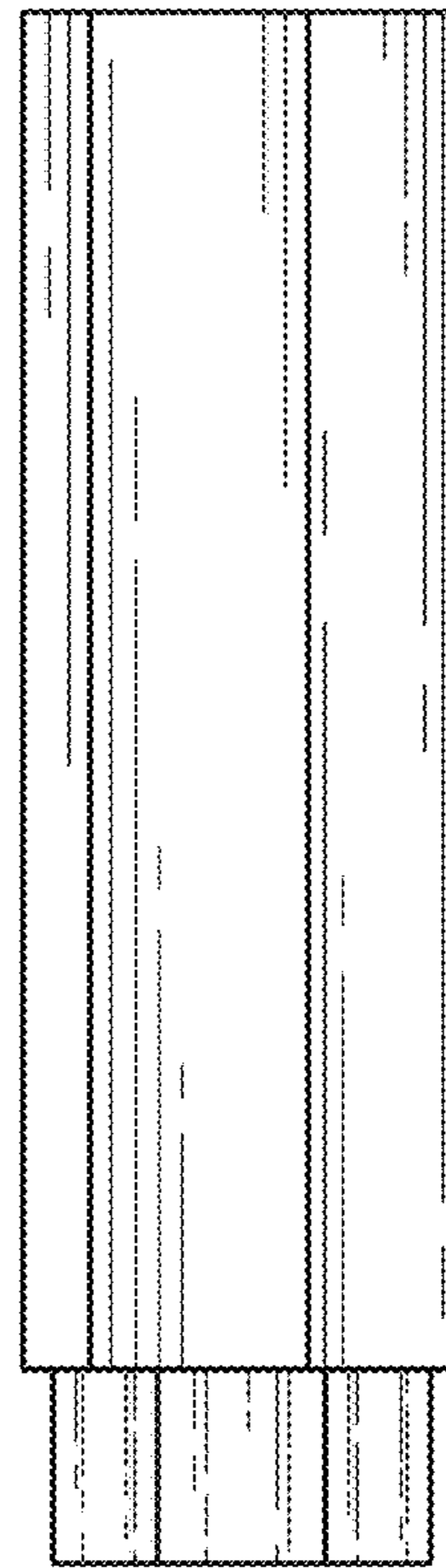


FIG. 8

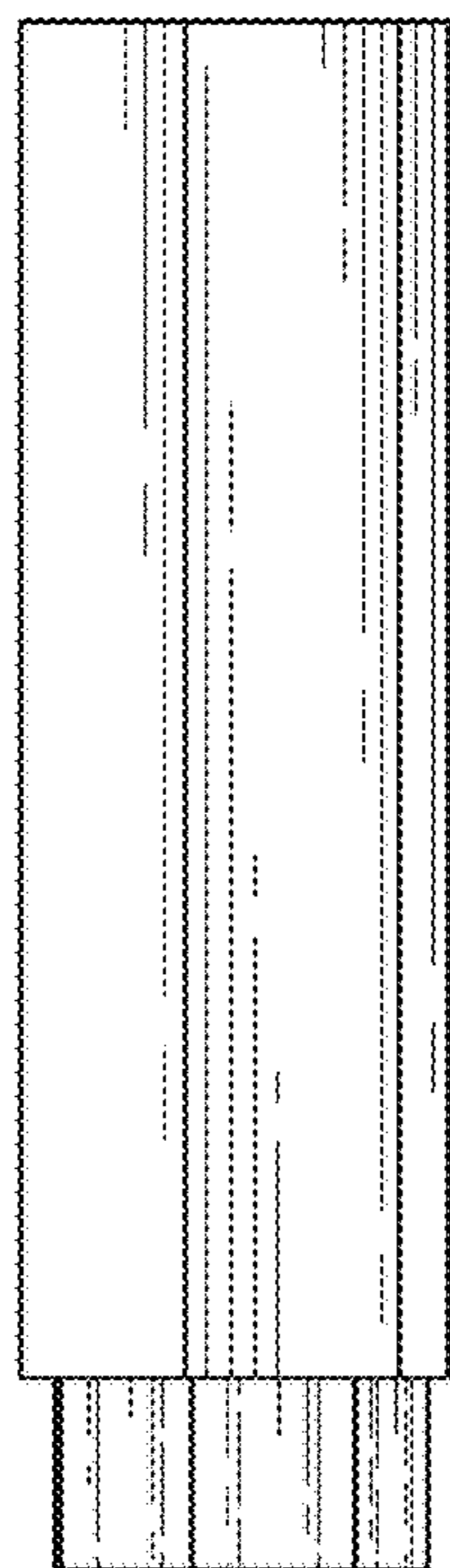


FIG. 9

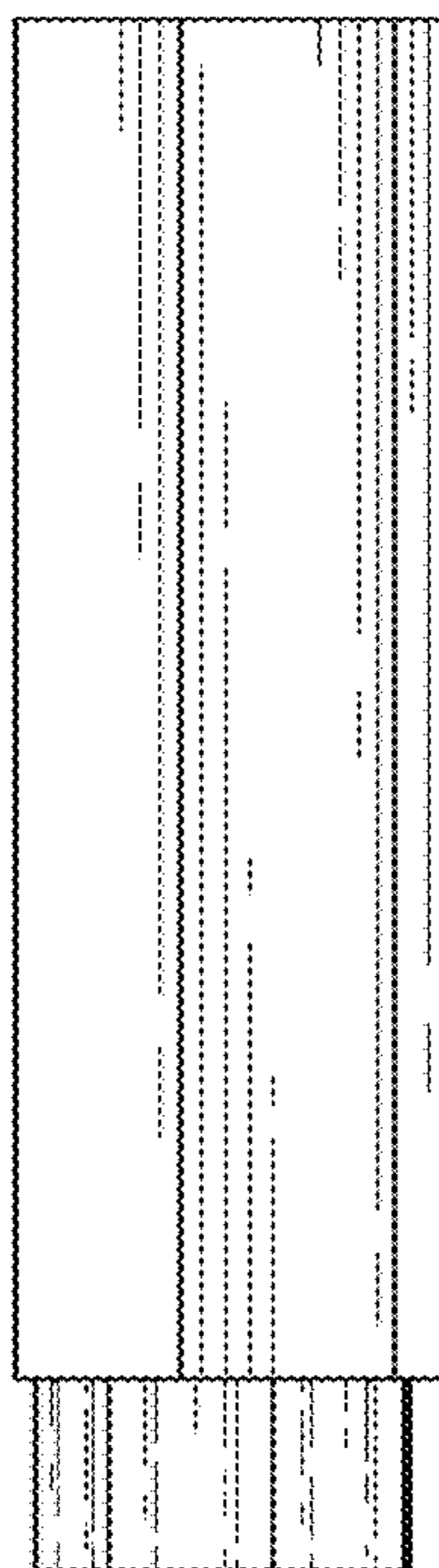


FIG. 10

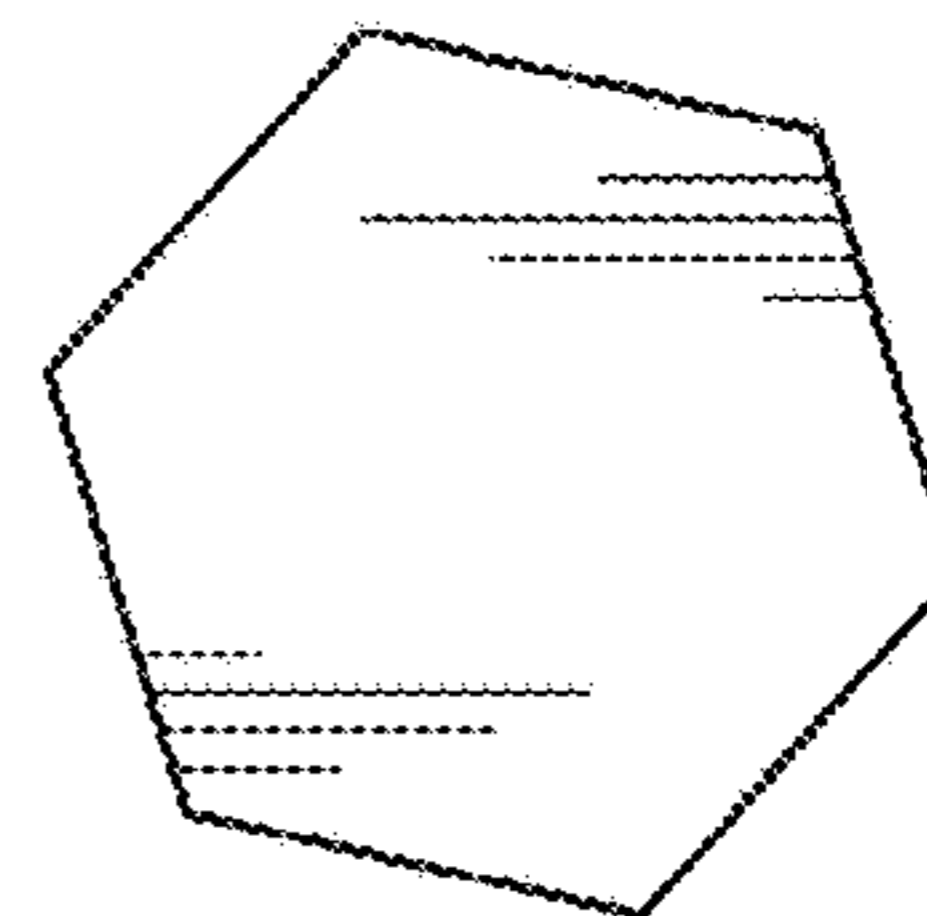


FIG. 11

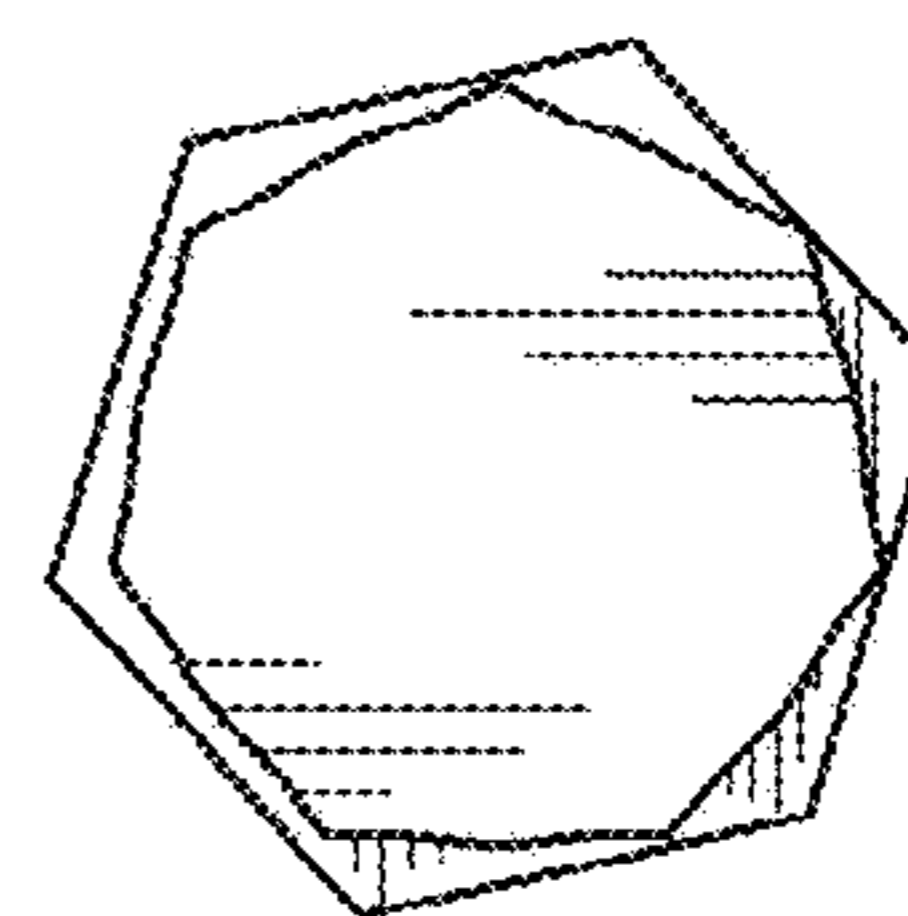


FIG. 12