



US00D841455S

(12) **United States Design Patent**
Barwick

(10) **Patent No.:** **US D841,455 S**

(45) **Date of Patent:** **** Feb. 26, 2019**

(54) **WASHER FOR LOAD INDICATION**
(71) Applicant: **LifePoint International Pty Ltd,**
Thornton NSW (AU)
(72) Inventor: **Paul David Barwick,** Thornton (AU)
(73) Assignee: **LifePoint International Pty Ltd,**
Thornton NSW (AU)
(**) Term: **15 Years**
(21) Appl. No.: **29/621,294**
(22) Filed: **Oct. 6, 2017**

4,286,807 A * 9/1981 Bachli F16L 19/005
285/382.7
4,293,257 A * 10/1981 Peterson G01L 5/243
411/11
D340,942 S * 11/1993 Smith D15/29
D372,419 S * 8/1996 Ikegami D8/382
5,618,143 A * 4/1997 Cronin, II B25B 13/48
411/120
5,674,034 A * 10/1997 Bennett F16B 39/10
411/120
5,967,722 A * 10/1999 Fett F16B 39/10
411/120
6,387,055 B1 * 5/2002 Christy A61B 5/0057
600/557
D494,056 S * 8/2004 Clendenning D15/29
D527,245 S * 8/2006 Kelleghan D8/356
D534,416 S * 1/2007 Kelleghan D8/356

(Continued)

(30) **Foreign Application Priority Data**

Apr. 7, 2017 (AU) 201712056

(51) **LOC (11) Cl.** **08-08**
(52) **U.S. Cl.**
USPC **D8/399**
(58) **Field of Classification Search**
USPC D8/367, 354, 349, 399, 382
See application file for complete search history.

(56) **References Cited**

U.S. PATENT DOCUMENTS

716,095 A * 12/1902 Peterson F16B 39/24
411/136
1,181,109 A * 5/1916 Carr F16B 39/24
411/136
2,124,249 A * 7/1938 Guiducci F16B 39/24
411/114
2,666,468 A * 1/1954 Poupitch B21D 53/20
29/417
D198,713 S * 7/1964 Curtiss D8/397
3,260,293 A * 7/1966 Gohs F16B 37/02
411/147
D217,540 S * 5/1970 Weise D8/397
D243,063 S * 1/1977 Mooney D8/397

FOREIGN PATENT DOCUMENTS

AU 363406 8/2015
WO 2016179641 11/2016

Primary Examiner — Cynthia R Underwood
(74) *Attorney, Agent, or Firm* — Rankin, Hill & Clark
LLP

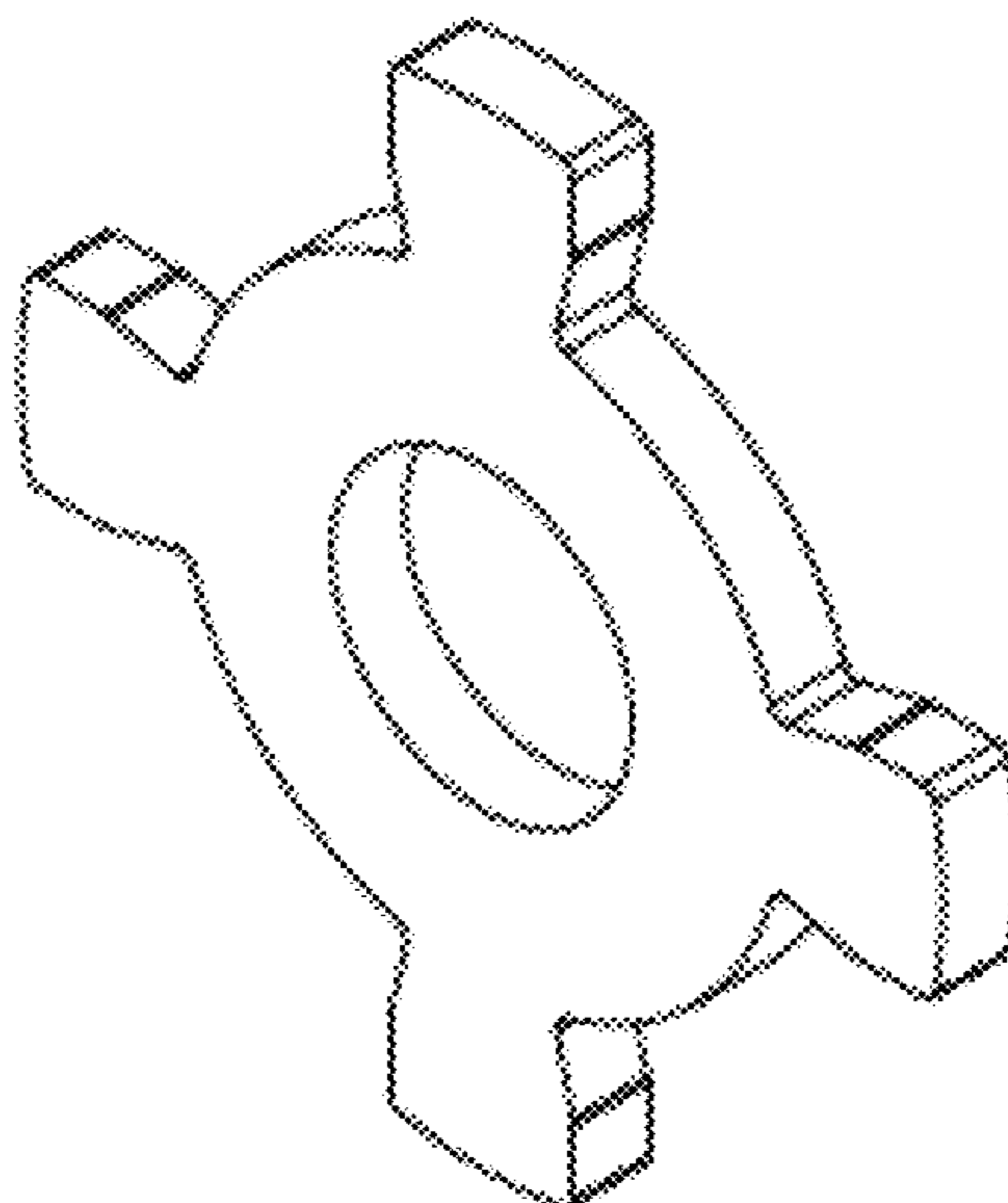
(57) **CLAIM**

The ornamental design for a washer for load indication, as shown and described.

DESCRIPTION

FIG. 1 is a front perspective view of a washer for load indication;
FIG. 2 is front elevation view thereof, the back elevation view being identical;
FIG. 3 is a side elevation view thereof, both sides being identical; and,
FIG. 4 is a top view thereof, both the top and bottom views being identical.

1 Claim, 2 Drawing Sheets



(56)

References Cited

U.S. PATENT DOCUMENTS

D548,581	S *	8/2007	Du Rousseau	D8/399
D619,940	S *	7/2010	Strang	D12/159
D658,978	S *	5/2012	Linares	D8/399
D669,985	S *	10/2012	Cheney	D24/140
D719,013	S *	12/2014	St. John	D8/356
D775,933	S *	1/2017	Hill	D8/349
D775,934	S *	1/2017	Hill	D8/349
D777,917	S *	1/2017	Kabra	D24/144
D795,682	S *	8/2017	Downs	D8/382
D799,702	S *	10/2017	Wong	D24/186
D800,319	S *	10/2017	Wong	D24/186
D817,153	S *	5/2018	Harogolige Padmanabha	D8/356
2003/0220146	A1 *	11/2003	Bonninger	F16D 3/68 464/73
2015/0176434	A1 *	6/2015	Gerend S	F23R 3/002 411/531
2015/0226249	A1 *	8/2015	Otto	F16B 31/028 29/525.02

* cited by examiner

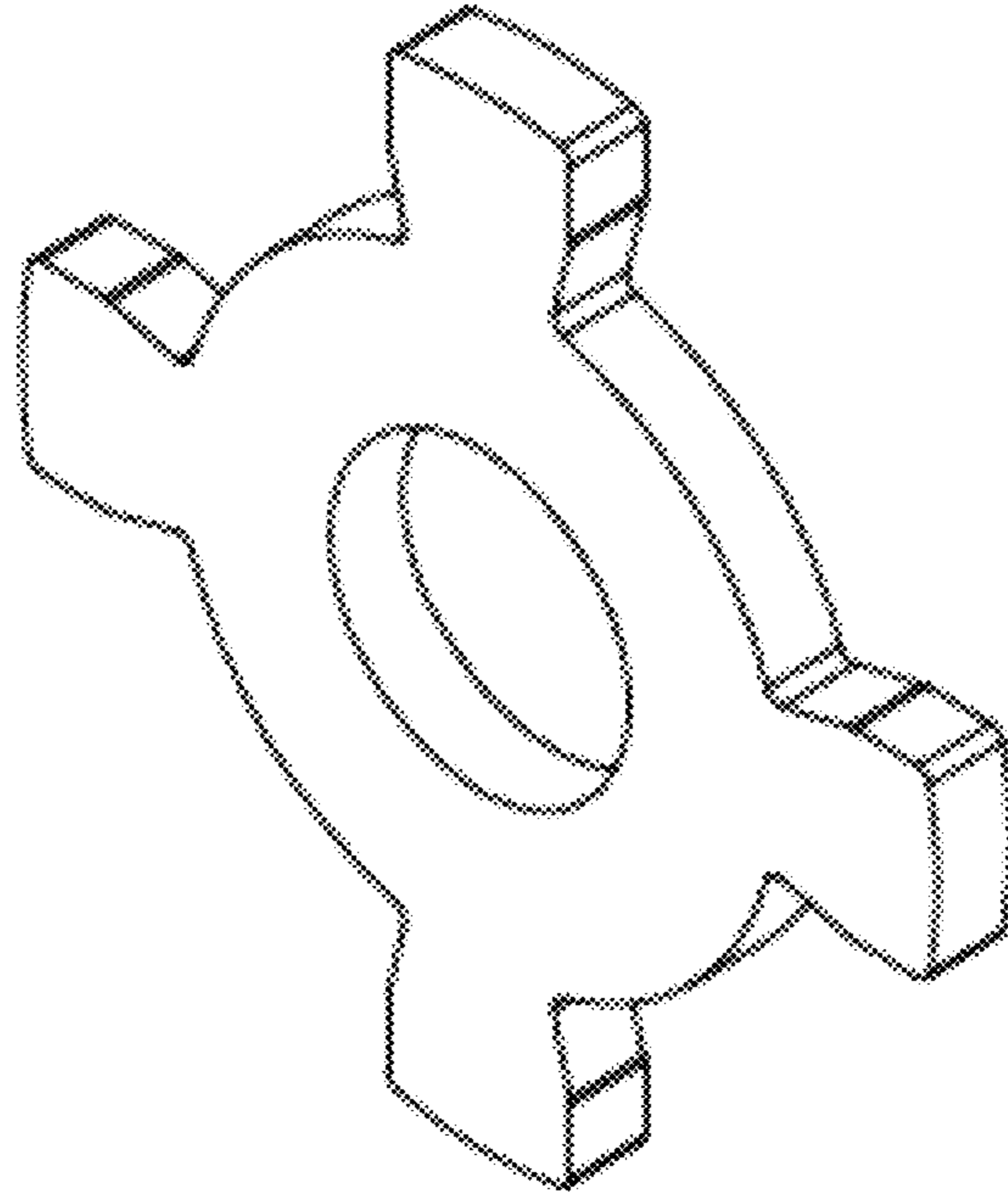


FIG. 1

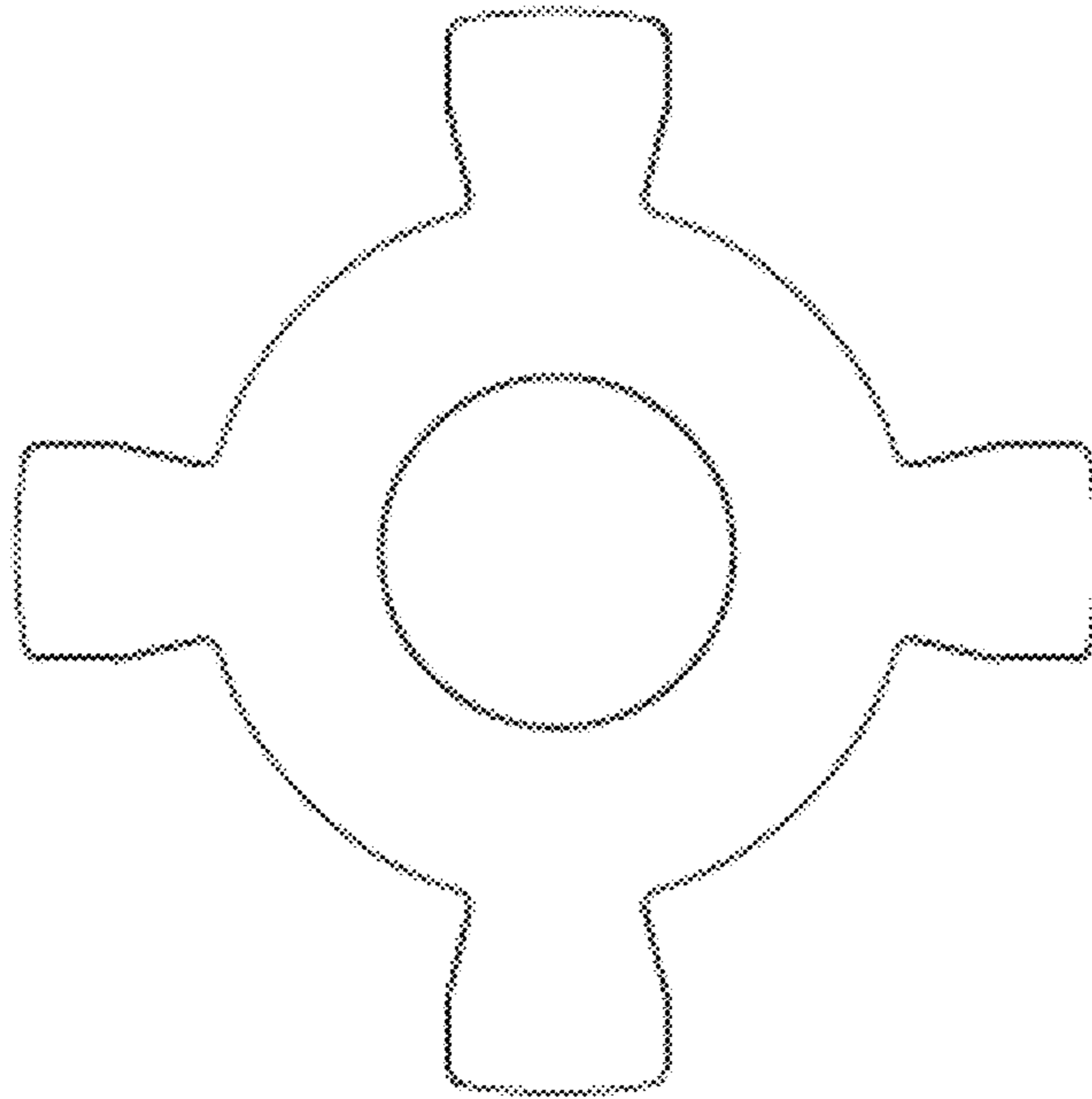


FIG. 2

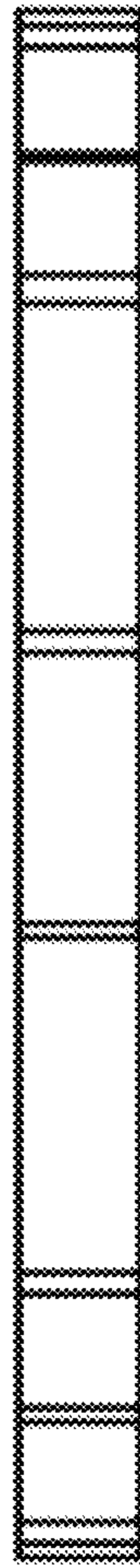


FIG. 3



FIG. 4