



US00D841454S

(12) **United States Design Patent** (10) **Patent No.:** **US D841,454 S**
Schuit et al. (45) **Date of Patent:** **** Feb. 26, 2019**

(54) **HELICAL DRIVE** 5,728,136 A 3/1998 Thal A61B 17/0401
606/232
(71) Applicant: **Unirac Inc.**, Albuquerque, NM (US) 5,820,092 A 10/1998 Thaler
5,927,921 A 7/1999 Hukari F16B 31/06
411/186
(72) Inventors: **Nathan Schuit**, Edgewood, NM (US);
Jason Mayfield, Albuquerque, NM
(US) (Continued)

FOREIGN PATENT DOCUMENTS

(73) Assignee: **Unirac Inc.**, Albuquerque, NM (US) JP 2000-345664 A 12/2000

(**) Term: **15 Years**

OTHER PUBLICATIONS

(21) Appl. No.: **29/621,360**

U.S. Appl. No. 15/138,030, "Hybrid Solar Panel Mounting Assembly", filed Apr. 25, 2016, Inventor Nathan Schuit et al.

(22) Filed: **Oct. 6, 2017**

Primary Examiner — Cynthia R Underwood
(74) *Attorney, Agent, or Firm* — Crowell & Moring LLP

Related U.S. Application Data

(60) Division of application No. 29/571,440, filed on Jul. 18, 2016, now Pat. No. Des. 803,040, which is a continuation-in-part of application No. 15/138,018, filed on Apr. 25, 2016.

(57) **CLAIM**

(51) **LOC (11) Cl.** **08-08**

The ornamental design for a helical drive, as shown and described.

(52) **U.S. Cl.**

USPC **D8/397**

DESCRIPTION

(58) **Field of Classification Search**

USPC D8/399, 382, 397, 331, 85, 86, 394, 349;
411/140, 508, 418; 72/267; 292/327;
248/318; 29/434; D12/162; 24/595.1
CPC F16B 43/00
See application file for complete search history.

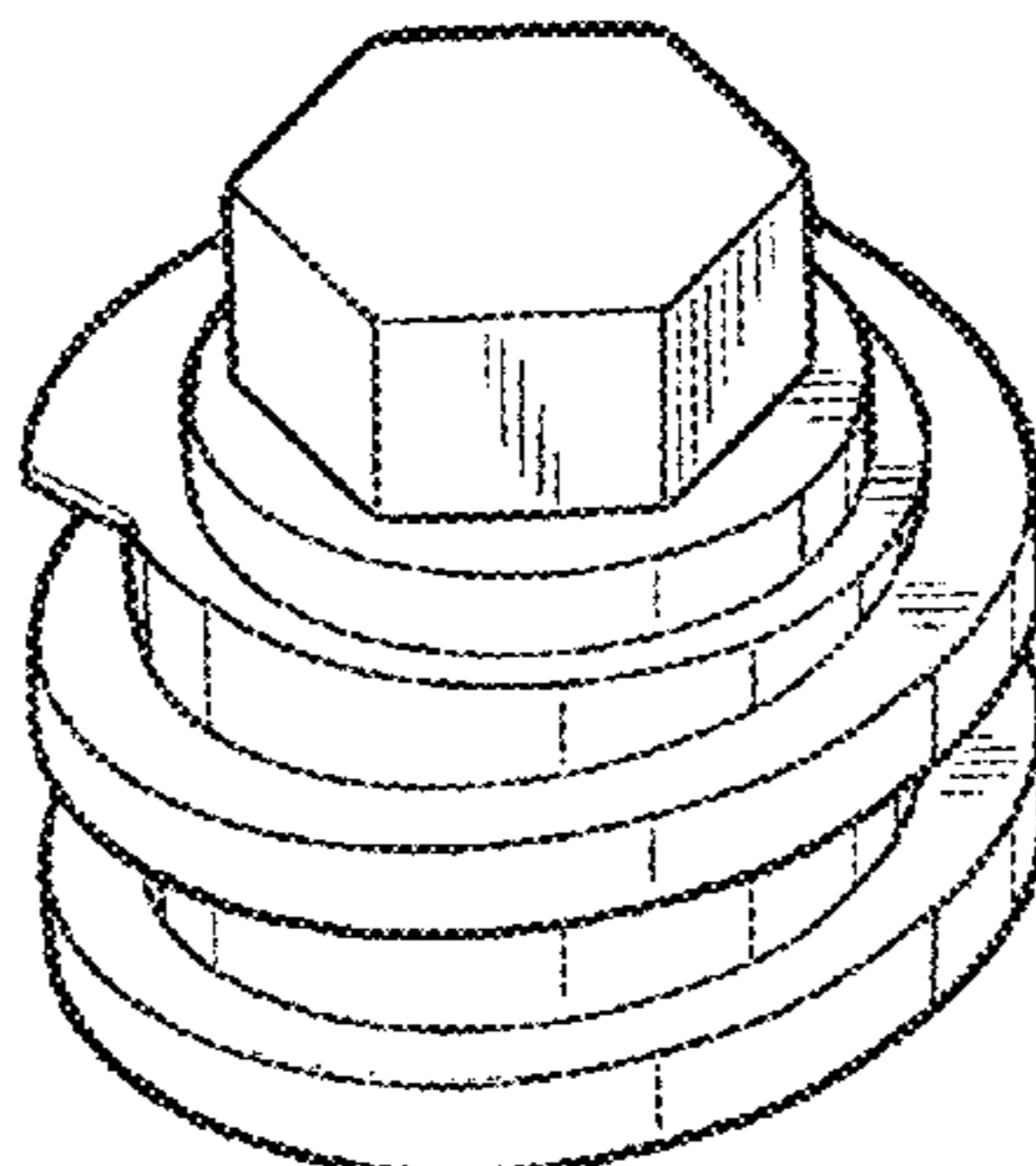
FIG. 1 is a top perspective view of a first embodiment of a helical drive according to the design;
FIG. 2 is a top plan view thereof;
FIG. 3 is a bottom plan view thereof;
FIG. 4 is a left side elevational view thereof;
FIG. 5 is a middle side elevational view thereof;
FIG. 6 is a right side elevational view thereof; and
FIG. 7 is a bottom perspective view thereof.
FIG. 8 is a top perspective view of a second embodiment of the helical drive according to the design;
FIG. 9 is a top plan view thereof;
FIG. 10 is a bottom plan view thereof;
FIG. 11 is a left side elevational view thereof;
FIG. 12 is a middle side elevational view thereof;
FIG. 13 is a right side elevational view thereof; and,
FIG. 14 is a bottom perspective view thereof.

(56) **References Cited**

U.S. PATENT DOCUMENTS

D30,898 S 5/1899 Paine 411/427
3,042,068 A 7/1962 Smith F16K 1/422
137/315.05
3,269,228 A 8/1966 Mack B25B 13/06
81/177.6
4,436,005 A 3/1984 Hanson B25B 13/481
81/177.75
D276,879 S 12/1984 Bell D8/70
4,822,223 A 4/1989 Williams F16B 37/122
403/268

1 Claim, 6 Drawing Sheets



US D841,454 S

(56)

References Cited

U.S. PATENT DOCUMENTS

6,361,258 B1	3/2002	Heesch	F16B 23/0084 411/178	8,935,893 B2	1/2015	Liu et al.
6,387,129 B2	5/2002	Rieser	A61B 17/8615 606/318	8,938,932 B1	1/2015	Wentworth et al.
6,457,923 B1	10/2002	Grossman	A47C 17/1753 411/104	9,004,836 B2	4/2015	Wells F16B 23/0007 411/402
6,478,518 B1	11/2002	Hwang	F16B 12/14 411/104	9,076,899 B2	7/2015	Schrock
6,540,750 B2	4/2003	Burkhart	A61B 17/0401 606/232	9,080,792 B2	7/2015	Patton et al.
D588,893 S *	3/2009	Radich	D8/70	9,097,443 B2	8/2015	Liu et al.
D613,594 S	4/2010	Huang	D12/213	D740,866 S *	10/2015	Herrmann D15/148
D613,595 S	4/2010	Huang	D12/213	9,166,524 B2	10/2015	West et al.
7,981,143 B2	7/2011	Doubler	F16B 37/0864 606/300	D788,574 S	6/2017	Baiz D8/387
8,109,048 B2	2/2012	West et al.		D800,544 S *	10/2017	Schuit D8/397
8,272,174 B2	9/2012	Stearns et al.		D807,419 S *	1/2018	Herrmann D15/148
8,353,650 B2	1/2013	Wiley et al.		2006/0039775 A1	2/2006	Mizuno et al.
8,375,645 B2	2/2013	Iwauchi et al.		2008/0053517 A1	3/2008	Plaisted et al.
D691,033 S	10/2013	Allman	D8/397	2011/0000519 A1	1/2011	West
8,622,677 B2	1/2014	Wu	B60S 9/08 411/427	2011/0000544 A1	1/2011	West
D698,637 S	2/2014	Su	D8/397	2011/0260027 A1	10/2011	Farnham, Jr.
8,752,338 B2	6/2014	Schaefer et al.		2012/0192926 A1	8/2012	Kambara et al.
8,806,813 B2	8/2014	Plaisted et al.		2012/0234378 A1	9/2012	West et al.
D713,243 S	9/2014	Hsu	D8/397	2012/0301661 A1	11/2012	West et al.
8,919,053 B2	12/2014	West		2013/0048816 A1	2/2013	Wentworth et al.
D721,423 S	1/2015	Jacques	D23/260	2014/0158184 A1	6/2014	West et al.
				2014/0175244 A1	6/2014	West et al.
				2015/0013237 A1	1/2015	Schaefer et al.
				2015/0068590 A1	3/2015	West et al.
				2015/0129517 A1	5/2015	Wildes
				2015/0168021 A1	6/2015	Wentworth et al.
				2015/0204583 A1	7/2015	Stephan et al.
				2015/0244308 A1	8/2015	Patton et al.
				2015/0280638 A1	10/2015	Stephan et al.
				2015/0288320 A1	10/2015	Stearns et al.

* cited by examiner

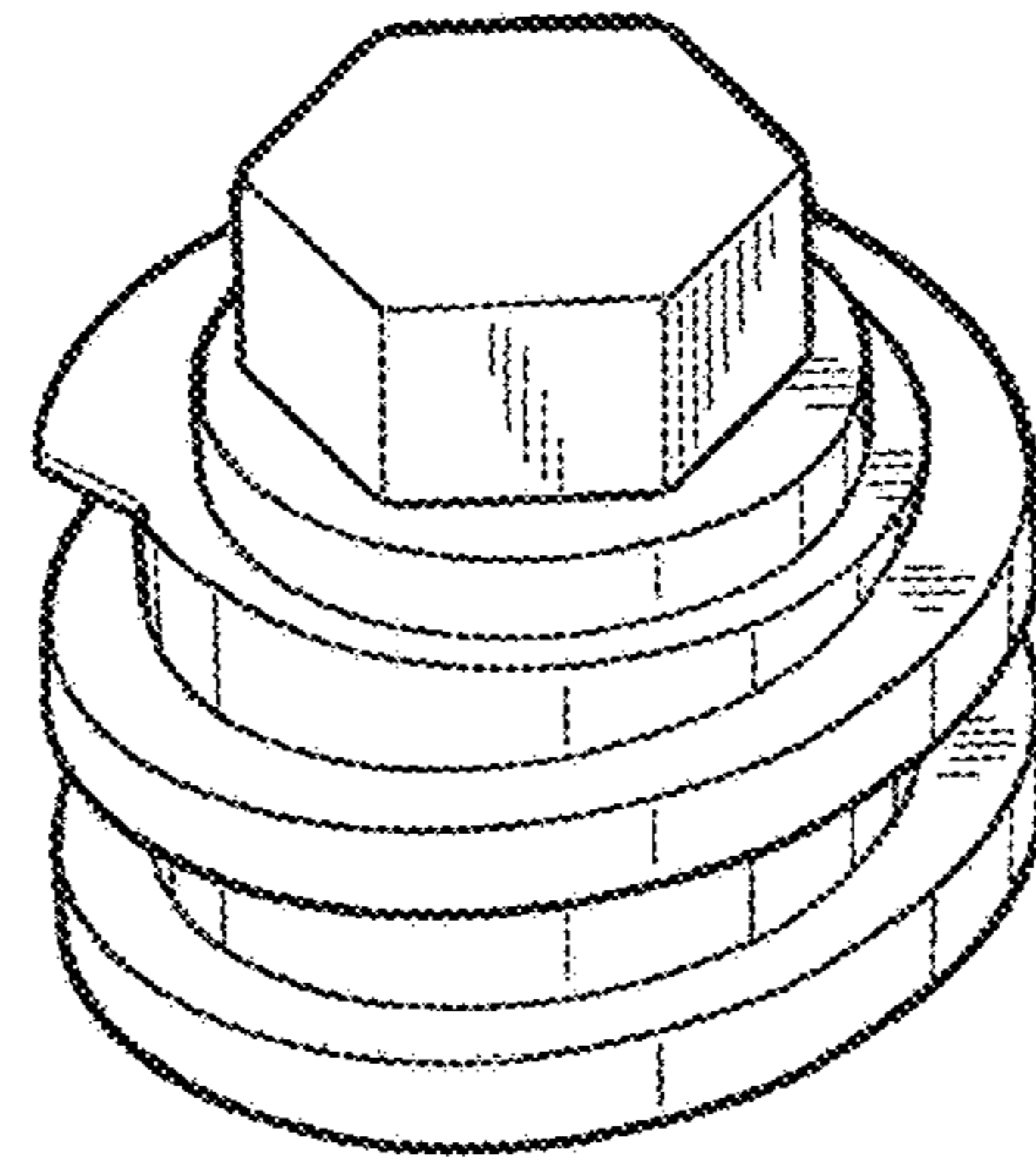


FIG. 1

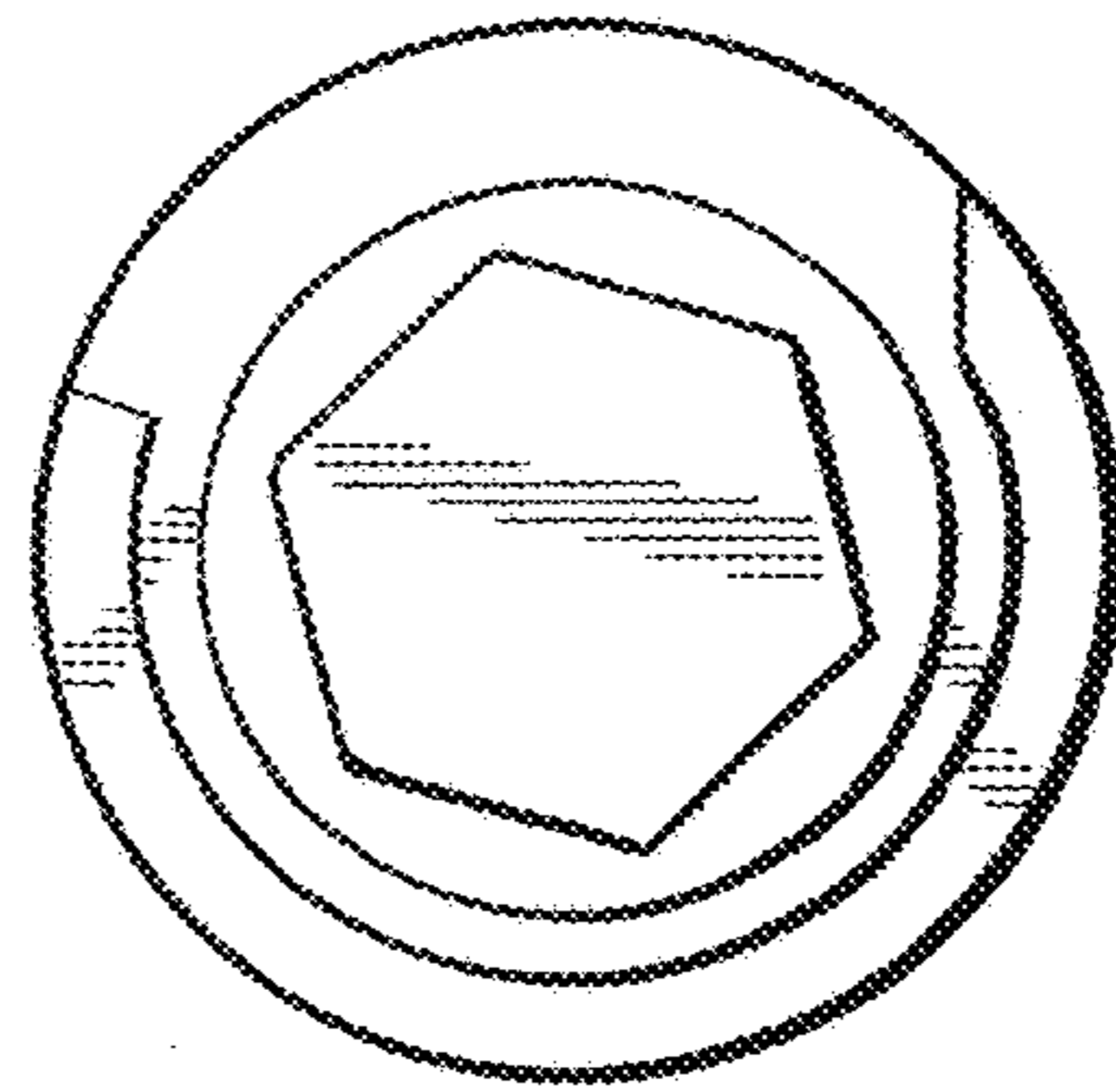


FIG. 2

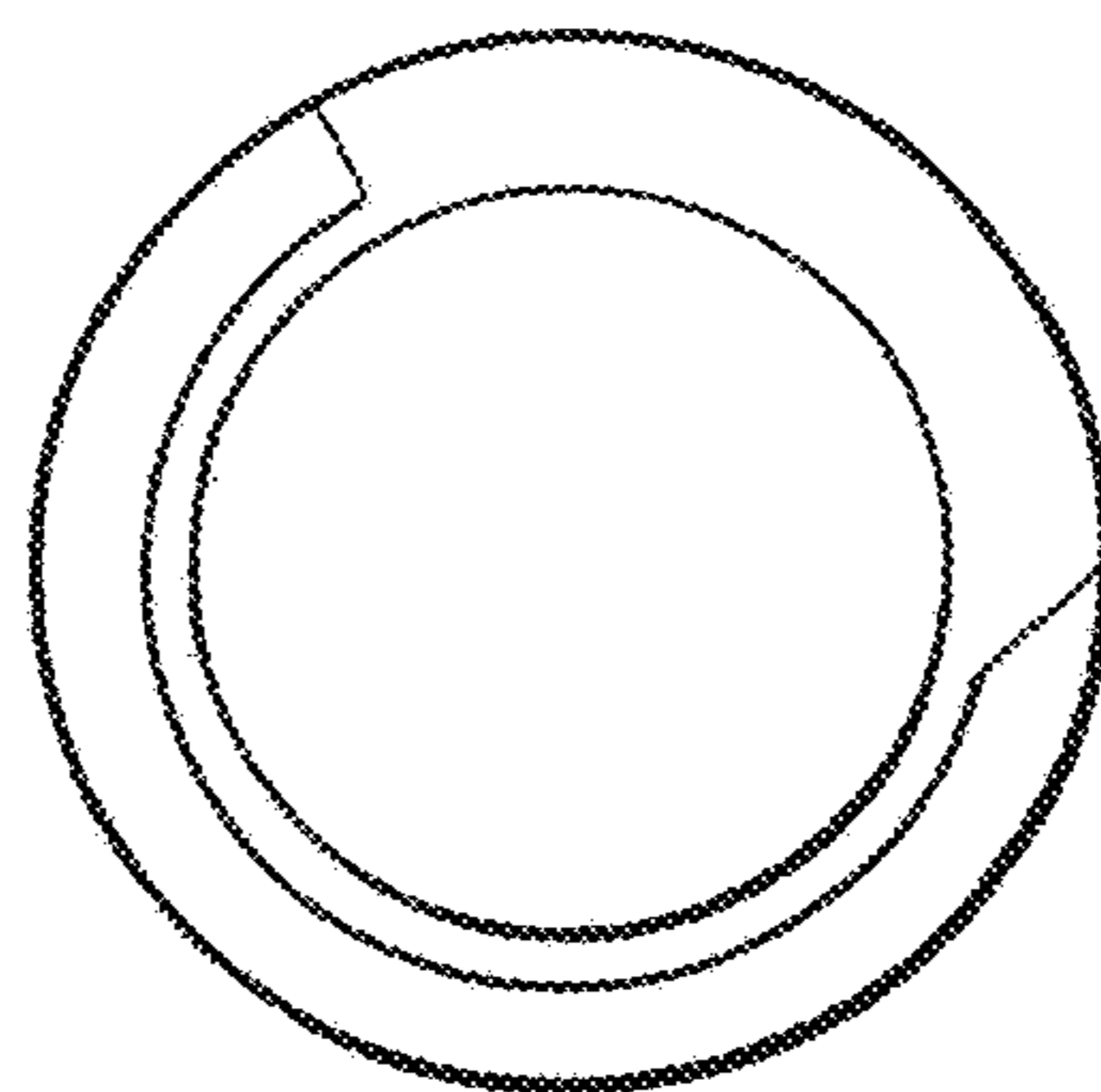


FIG. 3

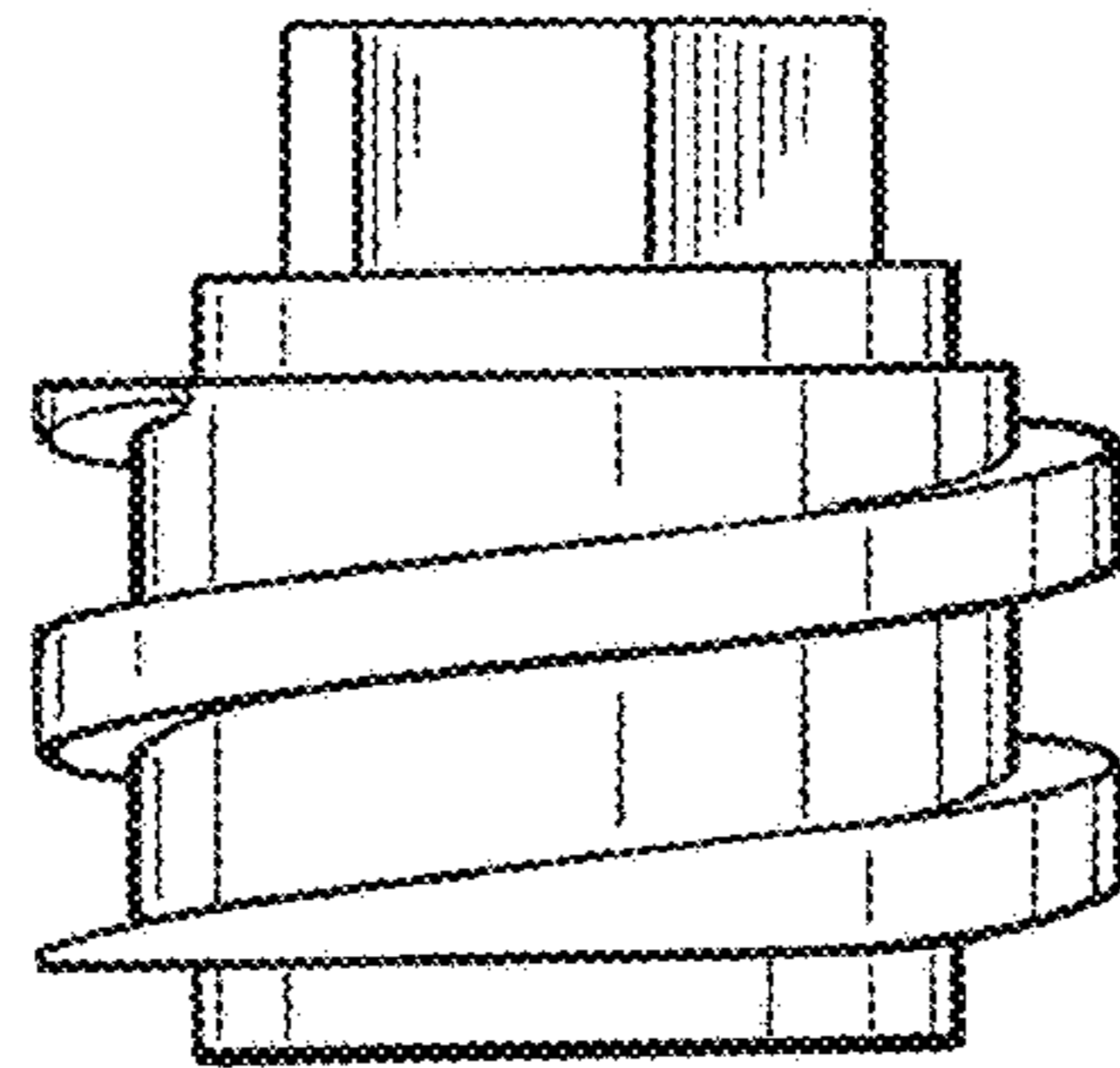


FIG. 4

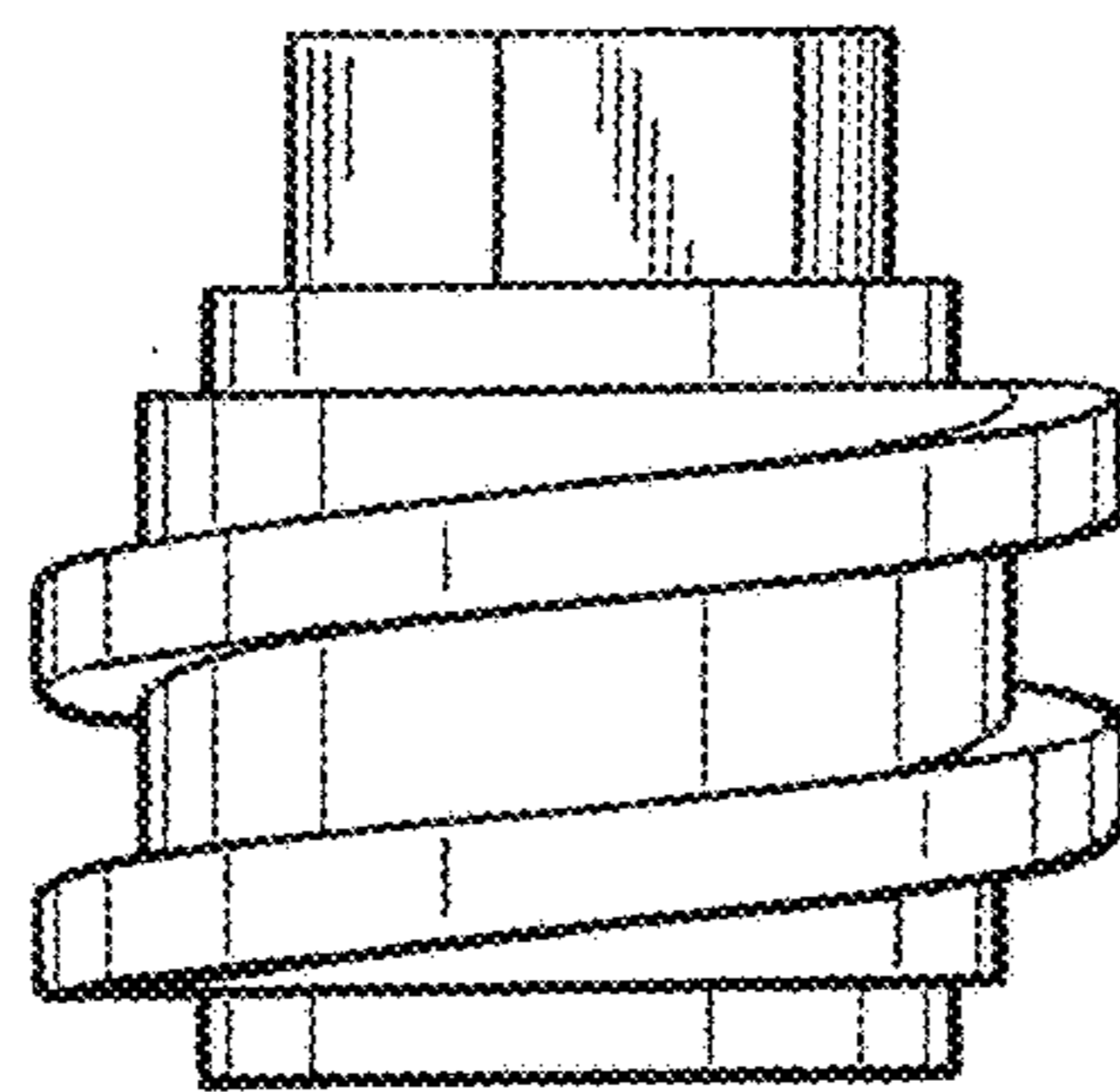


FIG. 5

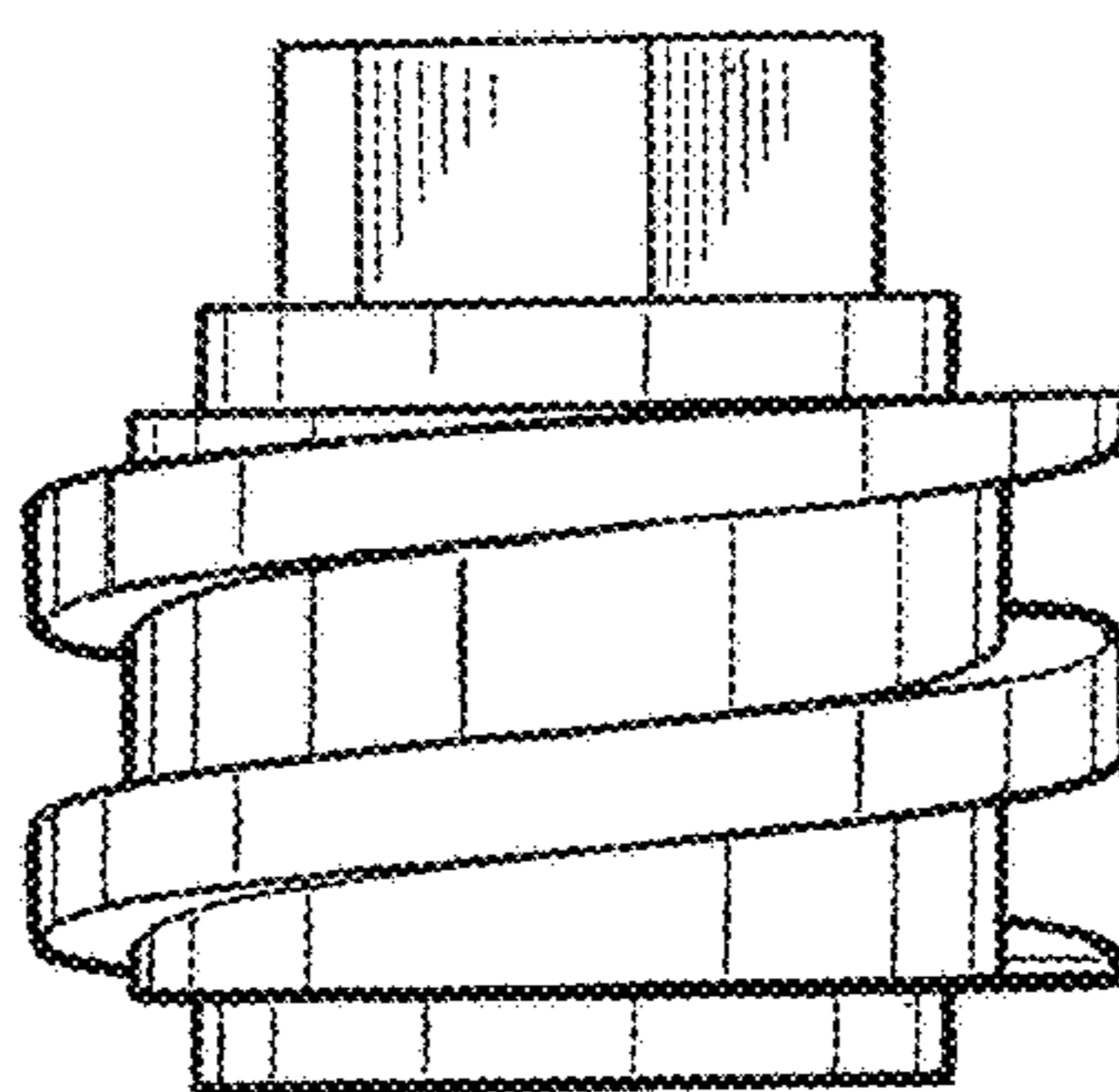


FIG. 6

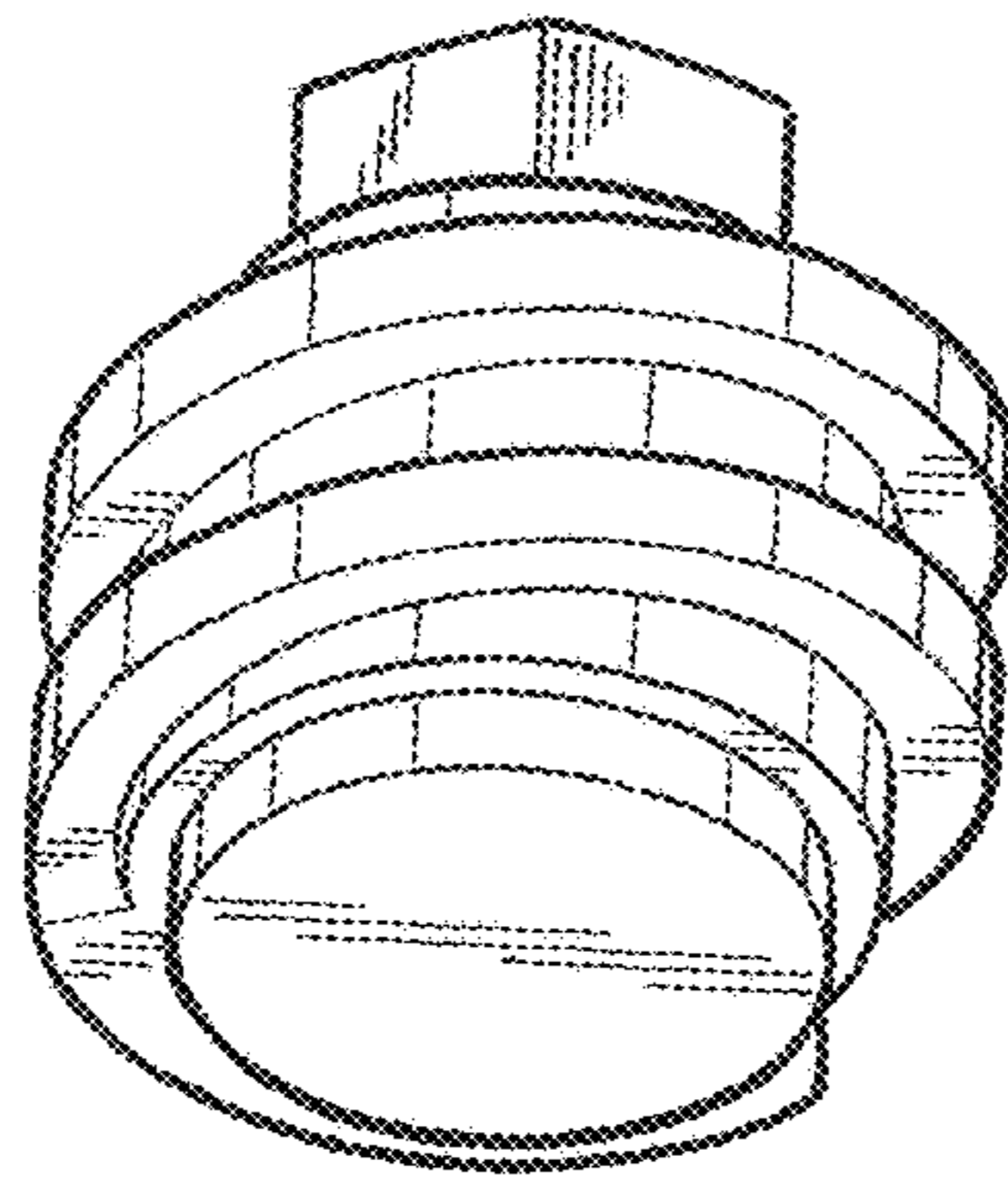


FIG. 7

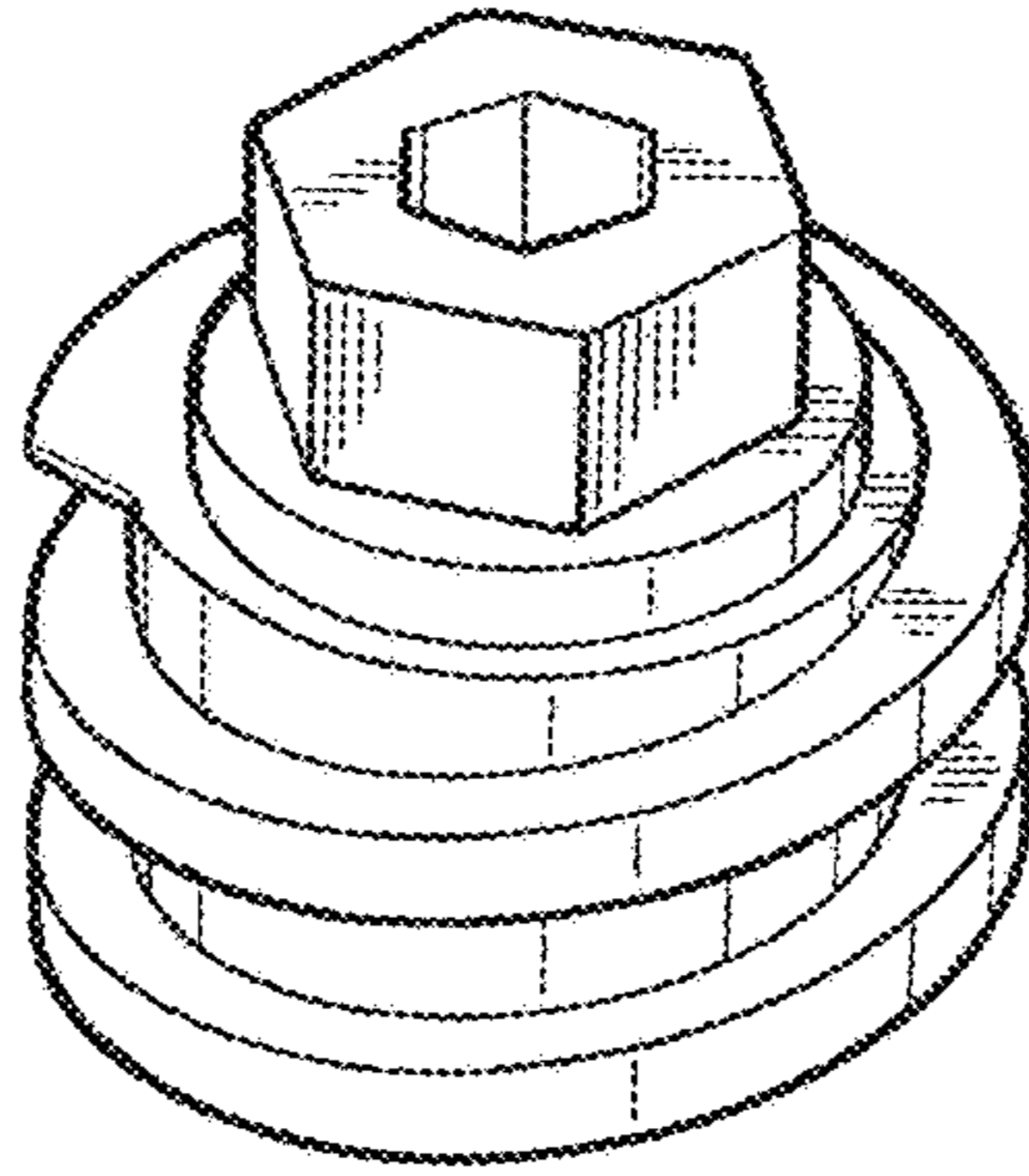


FIG. 8

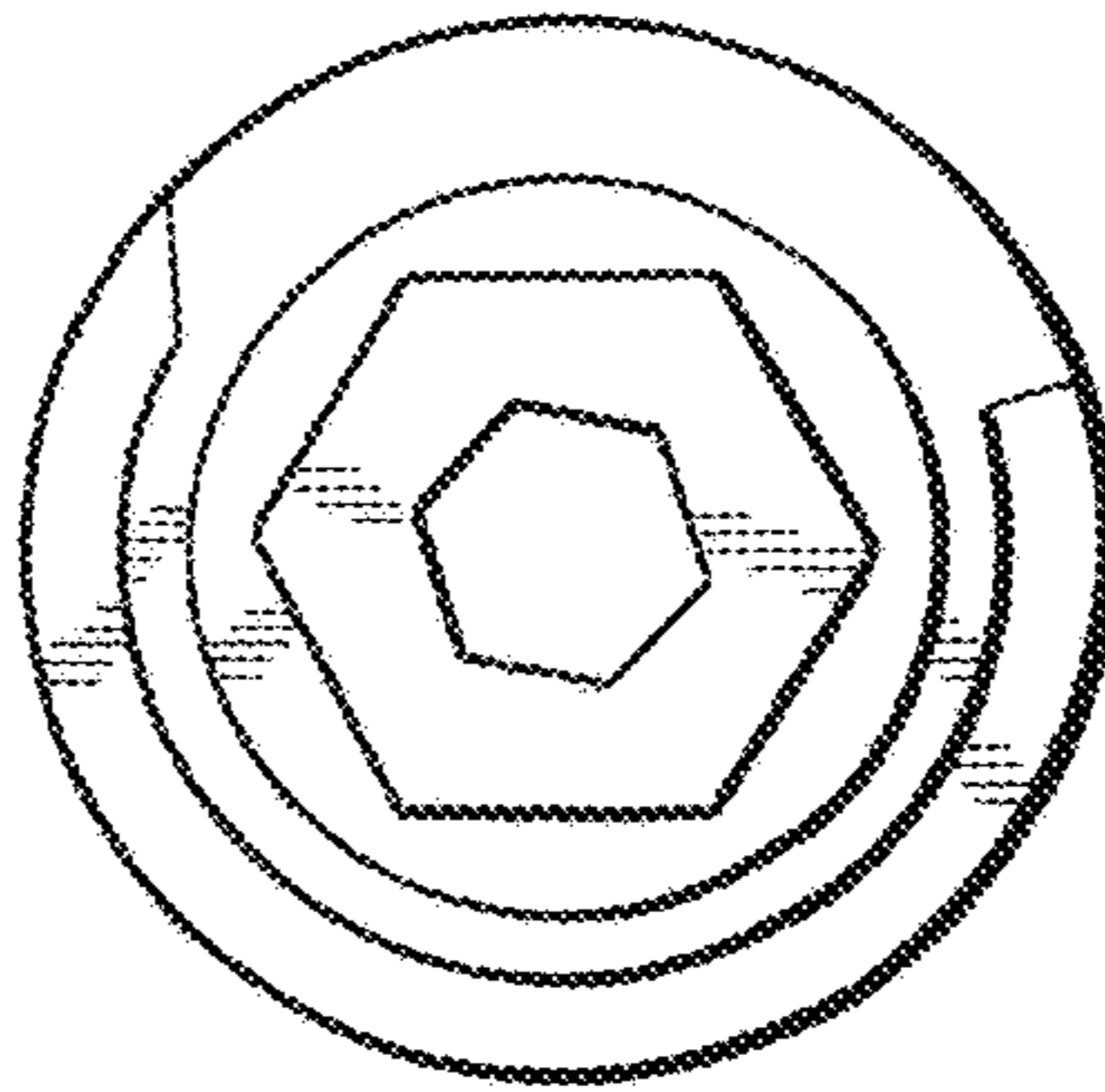


FIG. 9

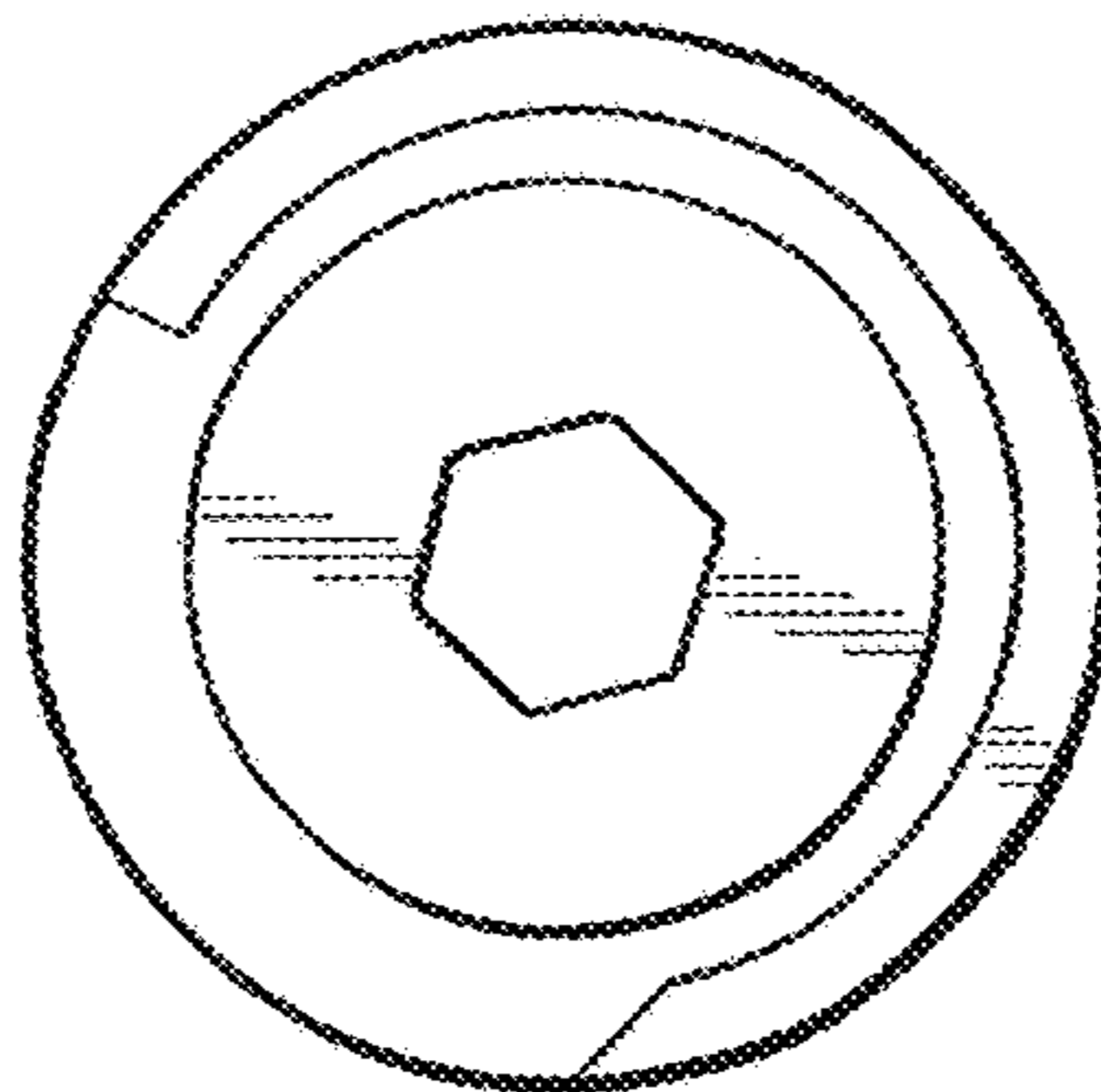


FIG. 10

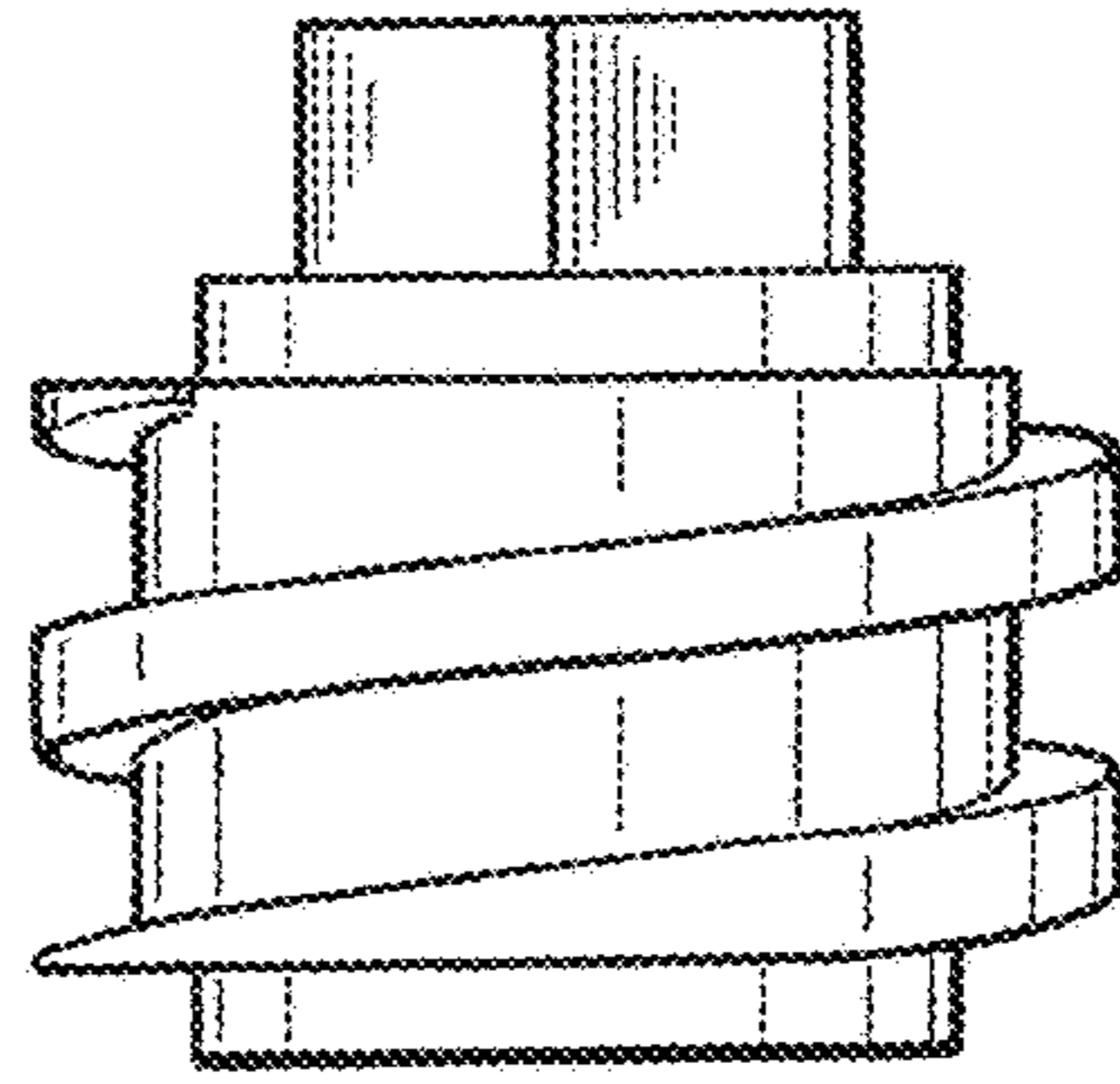


FIG. 11

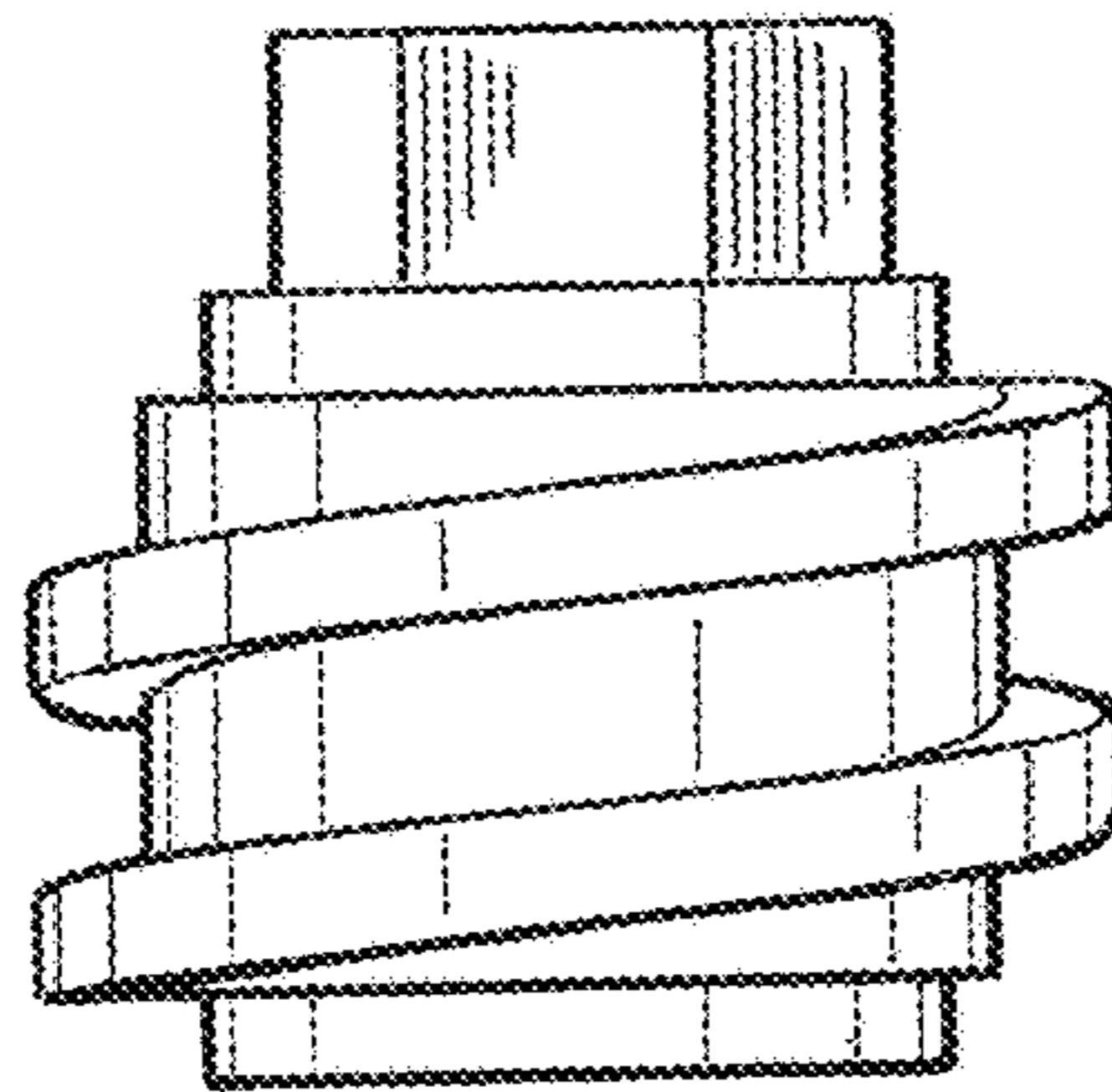


FIG. 12

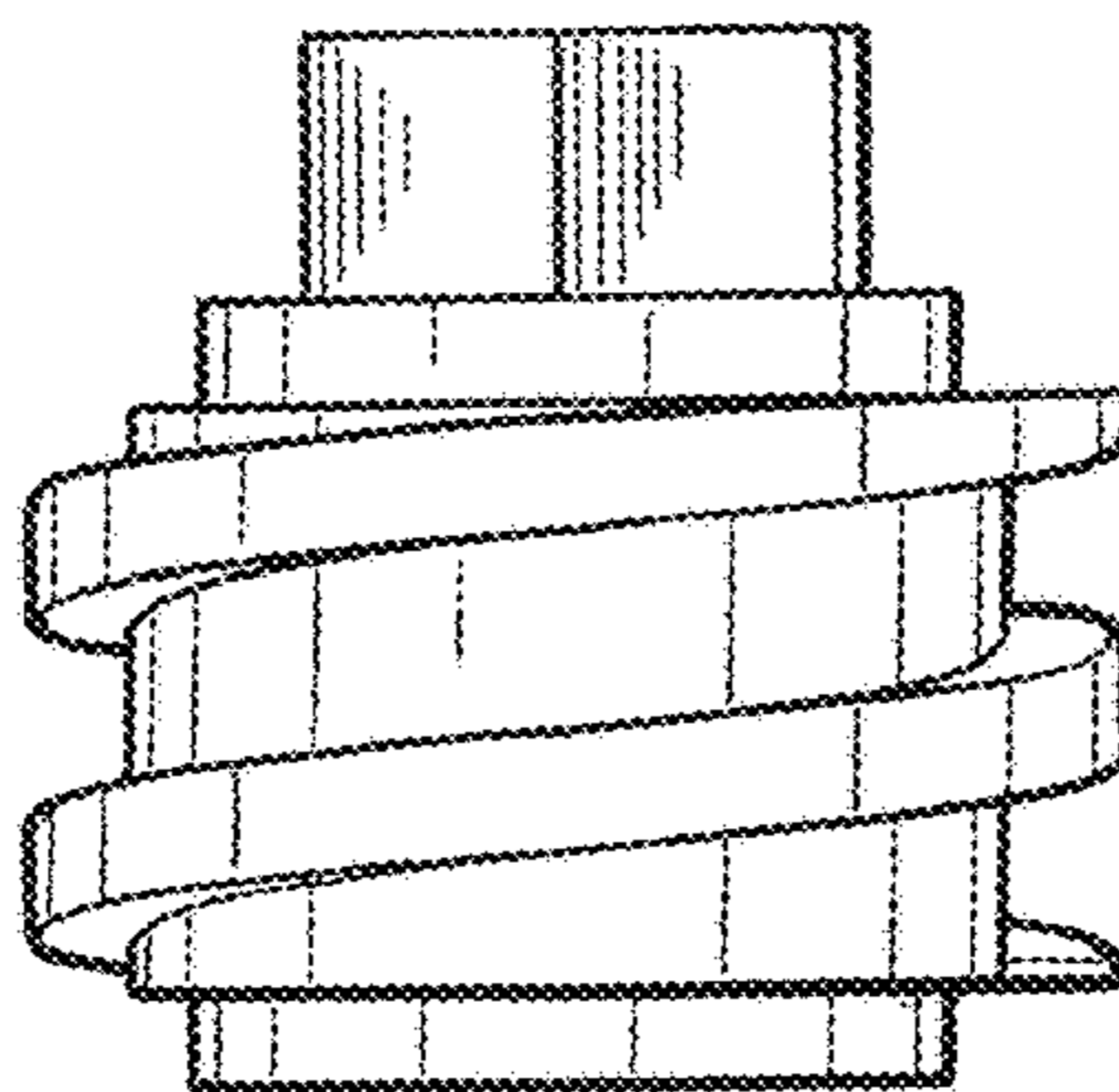


FIG. 13

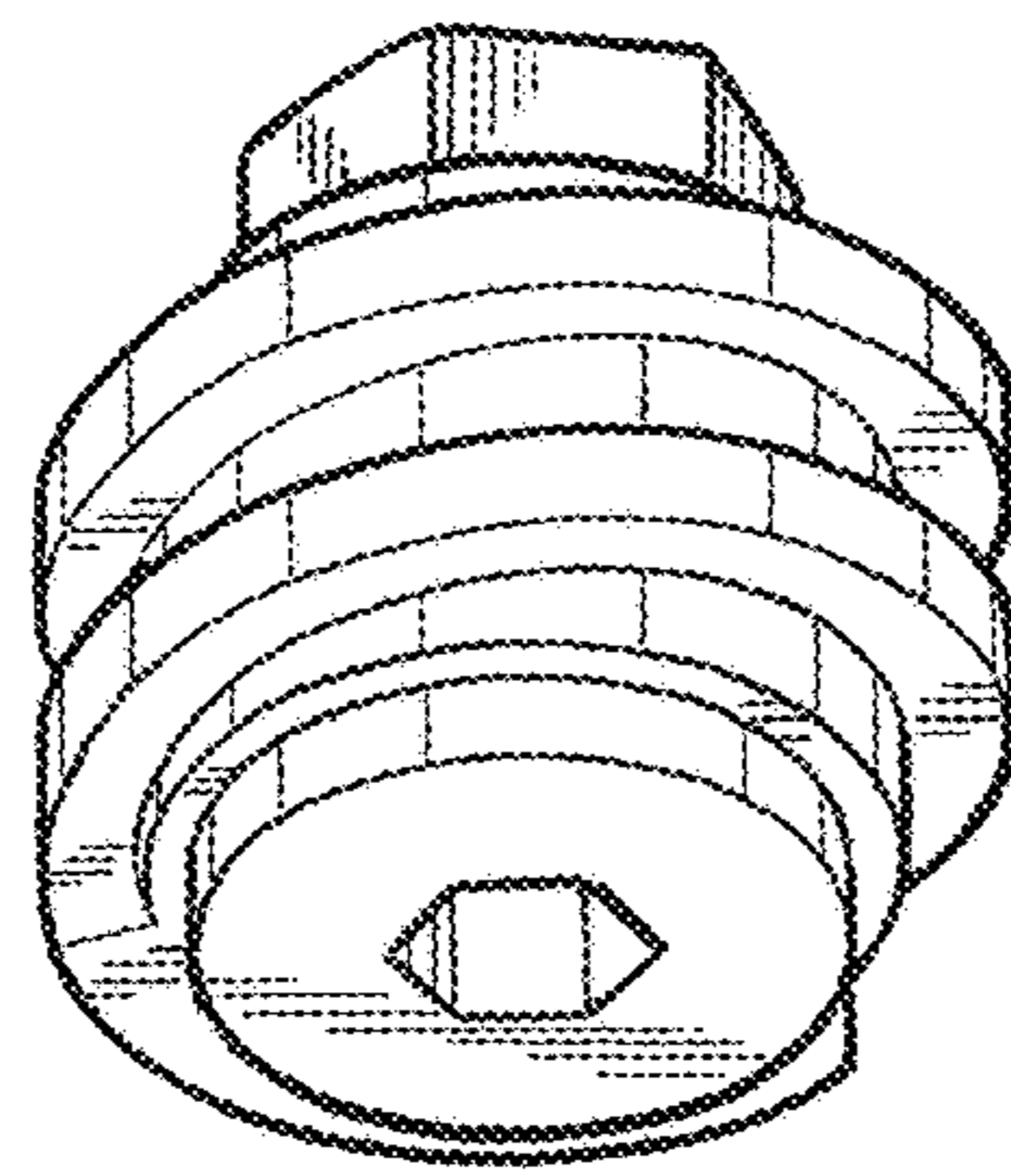


FIG. 14