

US00D841448S

(12) **United States Design Patent**
Littrell et al.

(10) **Patent No.:** **US D841,448 S**
(45) **Date of Patent:** **** Feb. 26, 2019**

(54) **CLIP FOR AFFIXING INSULATION**

DESCRIPTION

- (71) Applicant: **Sunron International LLC**,
Henderson, KY (US)
- (72) Inventors: **Darrell Edward Littrell**, Henderson,
KY (US); **Luke Thomas Wallis**,
Newburgh, IN (US); **Steven D. Hagan**,
Corydon, IN (US); **Jarrold L. McGraw**,
Corydon, KY (US); **Anthony C.**
Schauberger, Boonville, IN (US)
- (73) Assignee: **Sunron International LLC**,
Henderson, KY (US)
- (**) Term: **15 Years**
- (21) Appl. No.: **29/607,588**
- (22) Filed: **Jun. 14, 2017**
- (51) **LOC (11) Cl.** **08-08**
- (52) **U.S. Cl.**
USPC **D8/382**
- (58) **Field of Classification Search**
USPC D8/382, 394, 19, 71, 349, 354, 388, 499,
D8/363, 373, 380; D25/199, 133, 60,
D25/131

(Continued)

(56) **References Cited**

U.S. PATENT DOCUMENTS

- D199,635 S * 11/1964 Scarborough D25/199
- 3,950,915 A * 4/1976 Cole F16B 5/0614
52/586.2

(Continued)

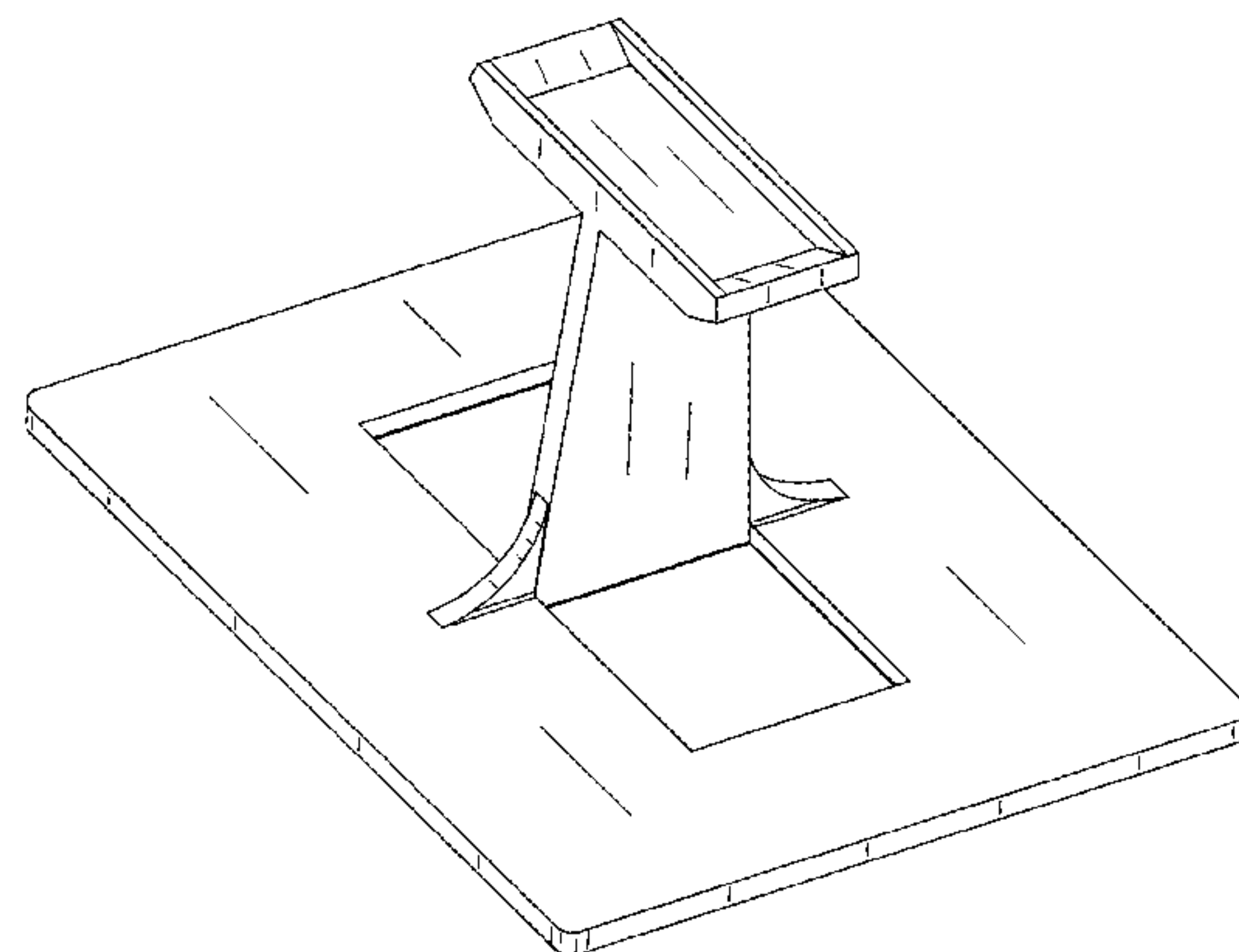
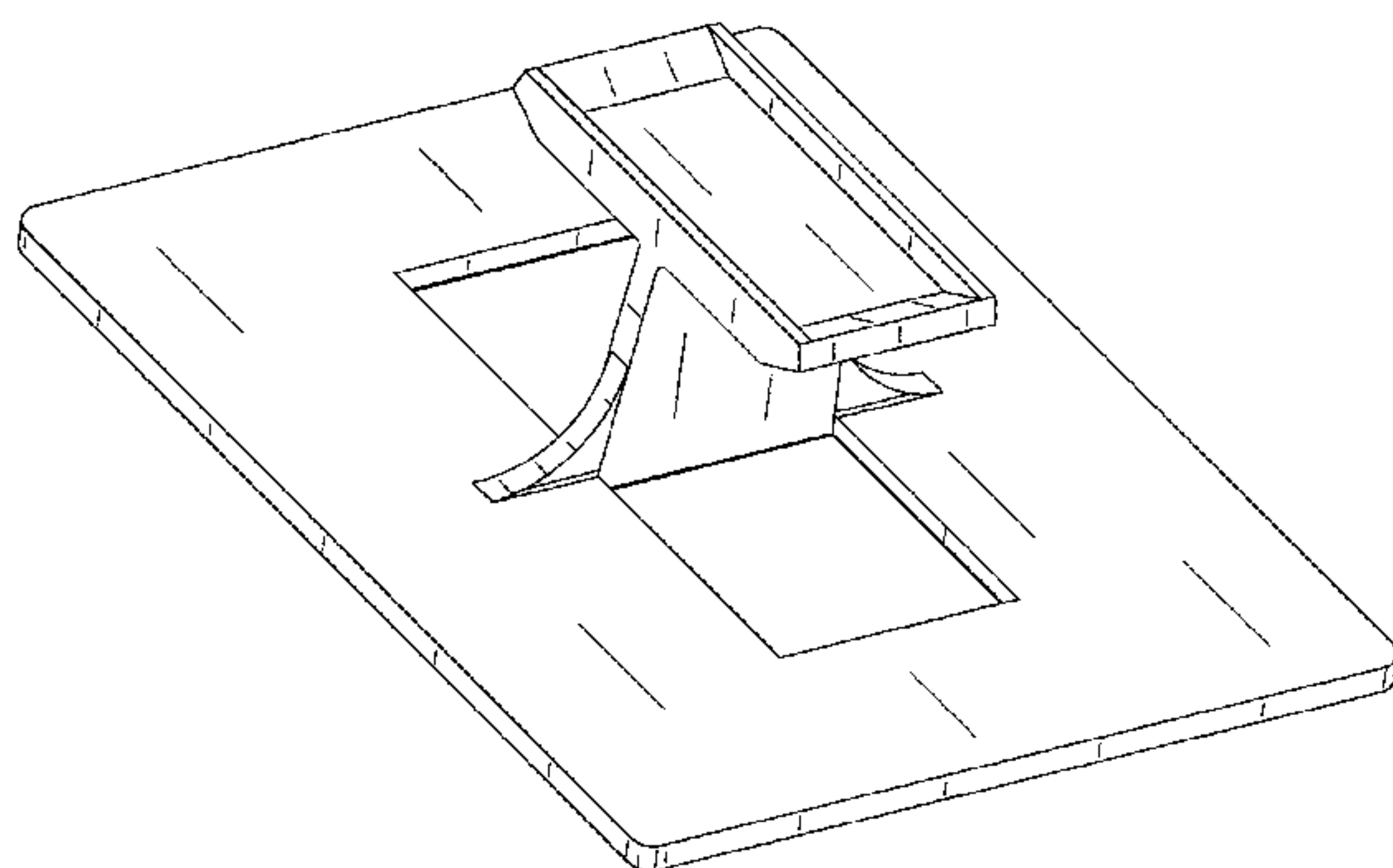
Primary Examiner — Sandra S Snapp
Assistant Examiner — Ieisha N Price
 (74) *Attorney, Agent, or Firm* — James C. Eaves, Jr.;
 Bingham Greenebaum Doll LLP

(57) **CLAIM**

The ornamental design for a clip for affixing insulation, as shown and described.

FIG. 1 is a perspective view of the first embodiment of a clip for affixing insulation of the invention from the front, bottom, and left side;
 FIG. 2 is a perspective view of the clip for affixing insulation of FIG. 1 from the rear, top, and right side;
 FIG. 3 is a left side view of the clip for affixing insulation of FIG. 1, the right side view being a mirror image thereof;
 FIG. 4 is a front view of the clip for affixing insulation of FIG. 1;
 FIG. 5 is a bottom view of the clip for affixing insulation of FIG. 1, the top view being a mirror image thereof;
 FIG. 6 is a rear view of the clip for affixing insulation of FIG. 1;
 FIG. 7 is a perspective view of the second embodiment of the clip for affixing insulation of FIG. 1 from the rear, top, and right side, the base rear surface having two-sided tape attached thereto; and
 FIG. 8 is rear view of the clip for affixing insulation of FIG. 7, the base rear surface having two-sided tape attached thereto;
 FIG. 9 is a perspective view of the third embodiment of clip for affixing insulation of the invention from the front, bottom, and left side;
 FIG. 10 is a perspective view of the clip for affixing insulation of FIG. 9 from the rear, top, and right side;
 FIG. 11 is a left side view of the clip for affixing insulation of FIG. 9, the right side view being a mirror image thereof;
 FIG. 12 is a front view of the clip for affixing insulation of FIG. 9;
 FIG. 13 is a bottom view of the clip for affixing insulation of FIG. 9, the top view being a mirror image thereof;
 FIG. 14 is a rear view of the clip for affixing insulation of FIG. 9;
 FIG. 15 is a perspective view of the fourth embodiment of the clip for affixing insulation of FIG. 9 from the rear, top, and right side, the base rear surface having two-sided tape attached thereto; and,
 FIG. 16 is a rear view of the clip for affixing insulation of FIG. 15, the base rear surface having two-sided tape attached thereto.

1 Claim, 8 Drawing Sheets



(58) **Field of Classification Search**
 CPC .. E04B 1/40; E04B 1/7629; F16B 2/22; F16B
 5/0635; F16B 5/0642; E04F 13/0801;
 E04F 13/0816; E04F 13/083
 See application file for complete search history.

(56) **References Cited**

U.S. PATENT DOCUMENTS

3,973,371 A * 8/1976 Heller E04B 2/74
 312/265.1
 D249,225 S * 9/1978 Moe D8/330
 D257,663 S * 12/1980 McKee D8/354
 D257,664 S * 12/1980 McKee D8/354
 4,498,272 A * 2/1985 Adams E04F 13/0844
 52/363
 D360,574 S * 7/1995 Oda D8/382
 D371,505 S * 7/1996 Young D8/349
 D488,053 S * 4/2004 Murphy D25/131
 D499,819 S * 12/2004 Glatz D25/164
 D500,667 S * 1/2005 Murphy D8/354

D520,344 S * 5/2006 Vejmarker D8/354
 D536,240 S * 2/2007 Vejmarker D8/354
 D536,952 S * 2/2007 Vejmarker D8/354
 D621,076 S * 8/2010 Vibiano D25/164
 D628,460 S * 12/2010 Seitz D8/354
 D662,805 S * 7/2012 Macdonald D8/373
 D671,816 S * 12/2012 Stone D8/349
 D701,329 S * 3/2014 Tiner D13/199
 D758,174 S * 6/2016 Lee D8/382
 D783,386 S * 4/2017 Collins, IV D8/354
 D794,435 S * 8/2017 Ash D8/366
 2006/0059822 A1 * 3/2006 Guffey E04F 15/02
 52/480
 2008/0279654 A1 * 11/2008 Deschamps E04F 15/02
 411/457
 2013/0104493 A1 * 5/2013 Orchard E04F 15/02044
 52/704
 2013/0180197 A1 * 7/2013 Gompper E04F 13/0801
 52/586.1
 2014/0017025 A1 * 1/2014 Hemingway F16B 1/0014
 411/15

* cited by examiner

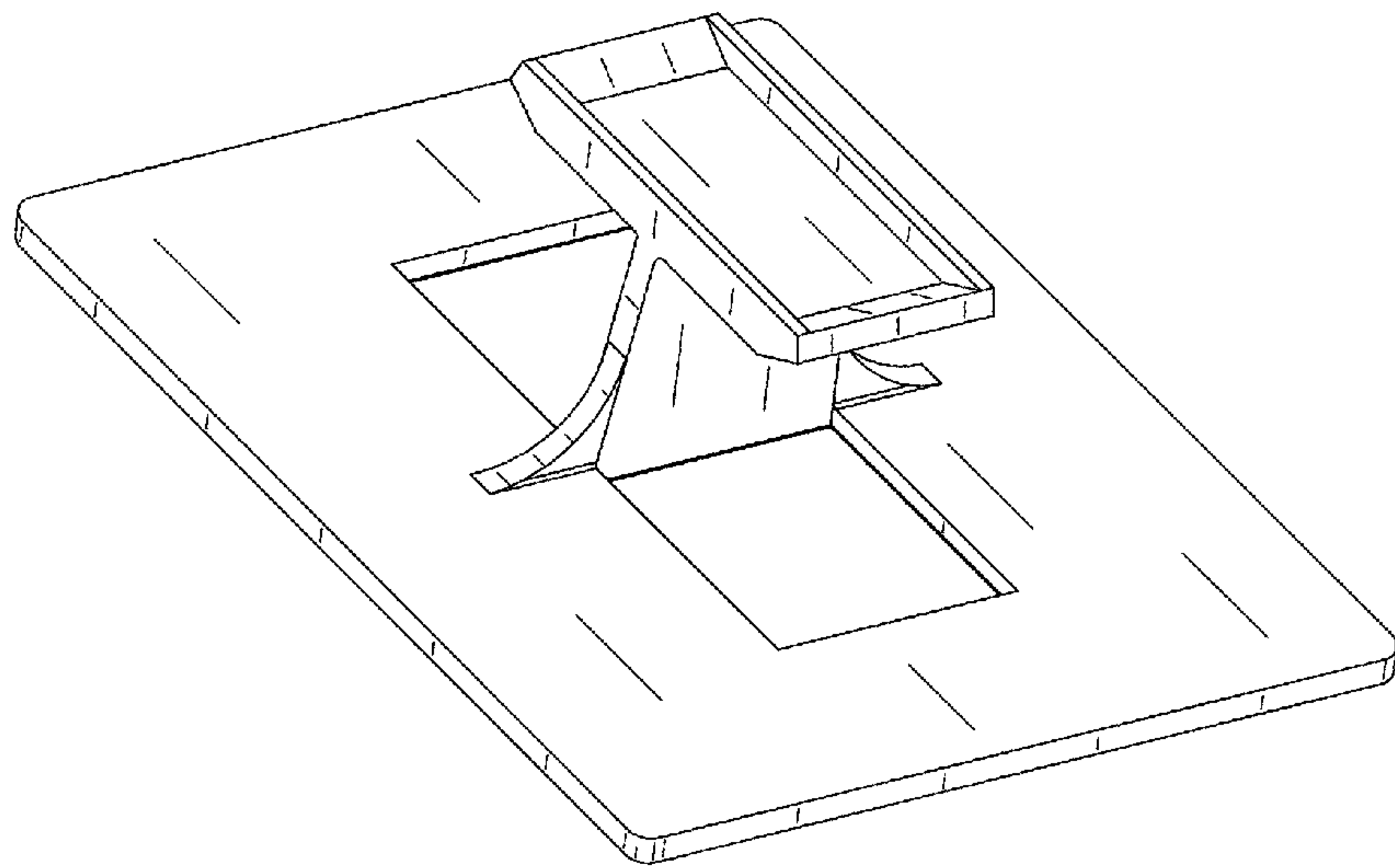


Figure 1

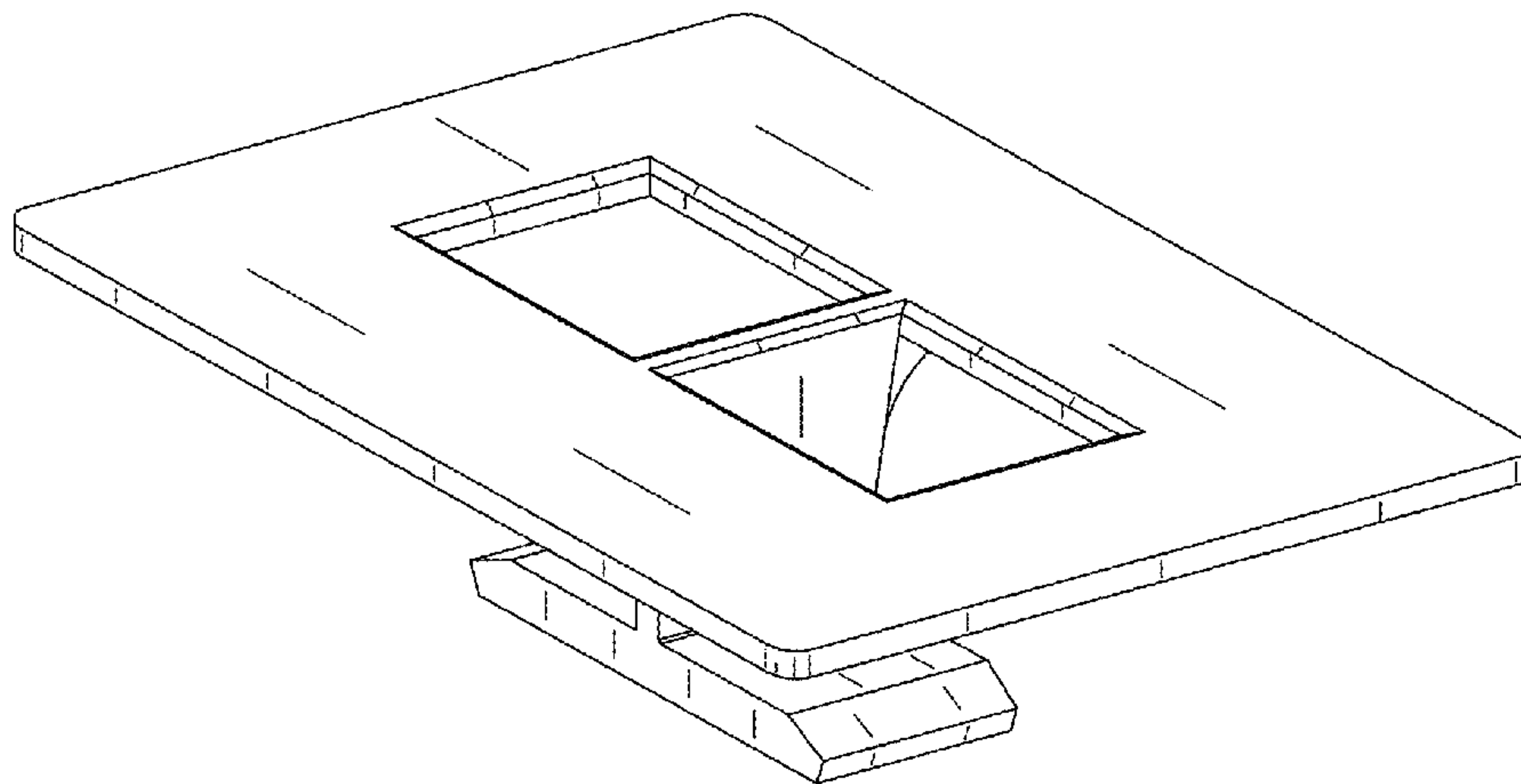


Figure 2

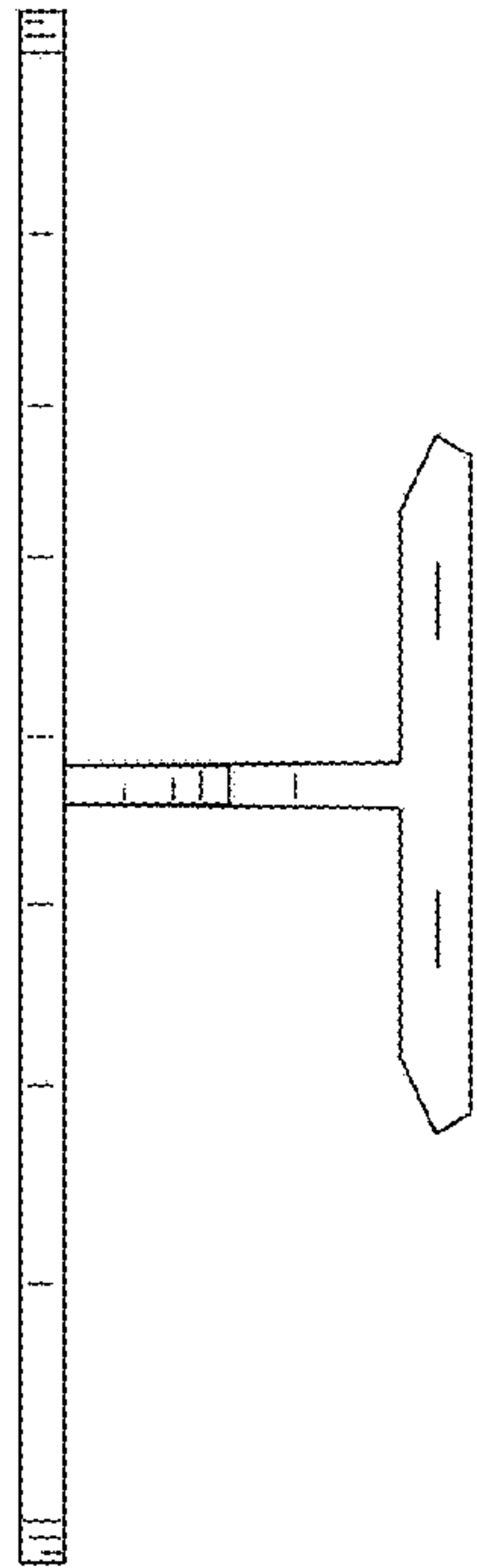


Figure 3

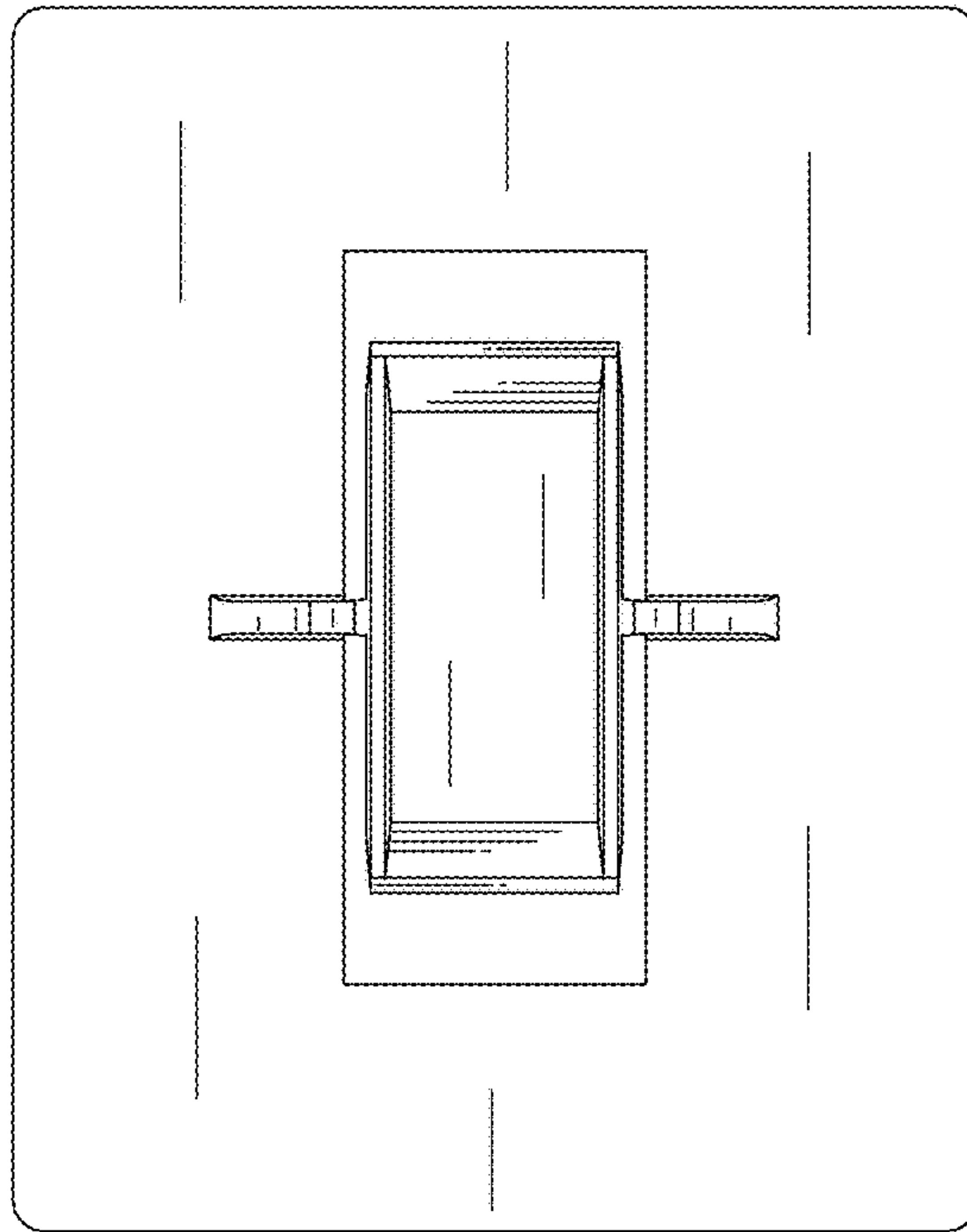


Figure 4

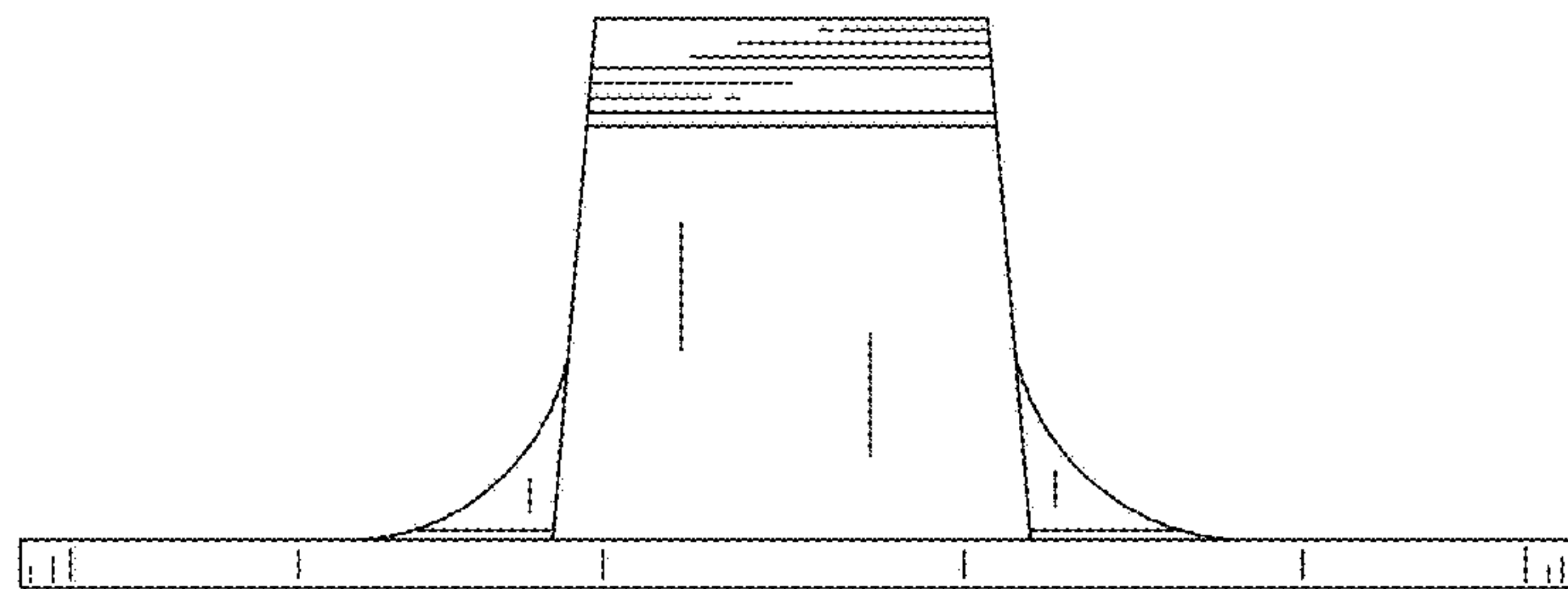


Figure 5

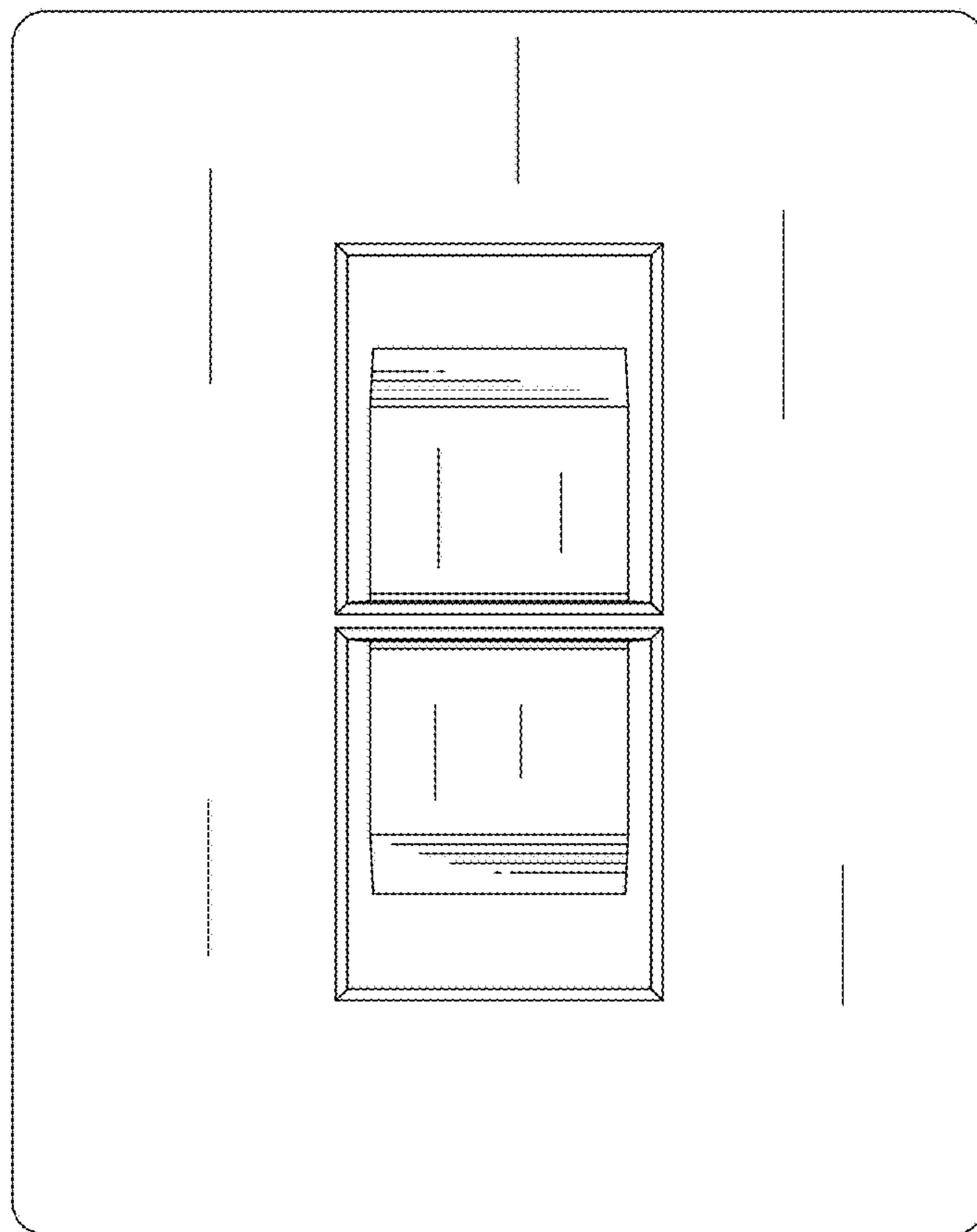


Figure 6

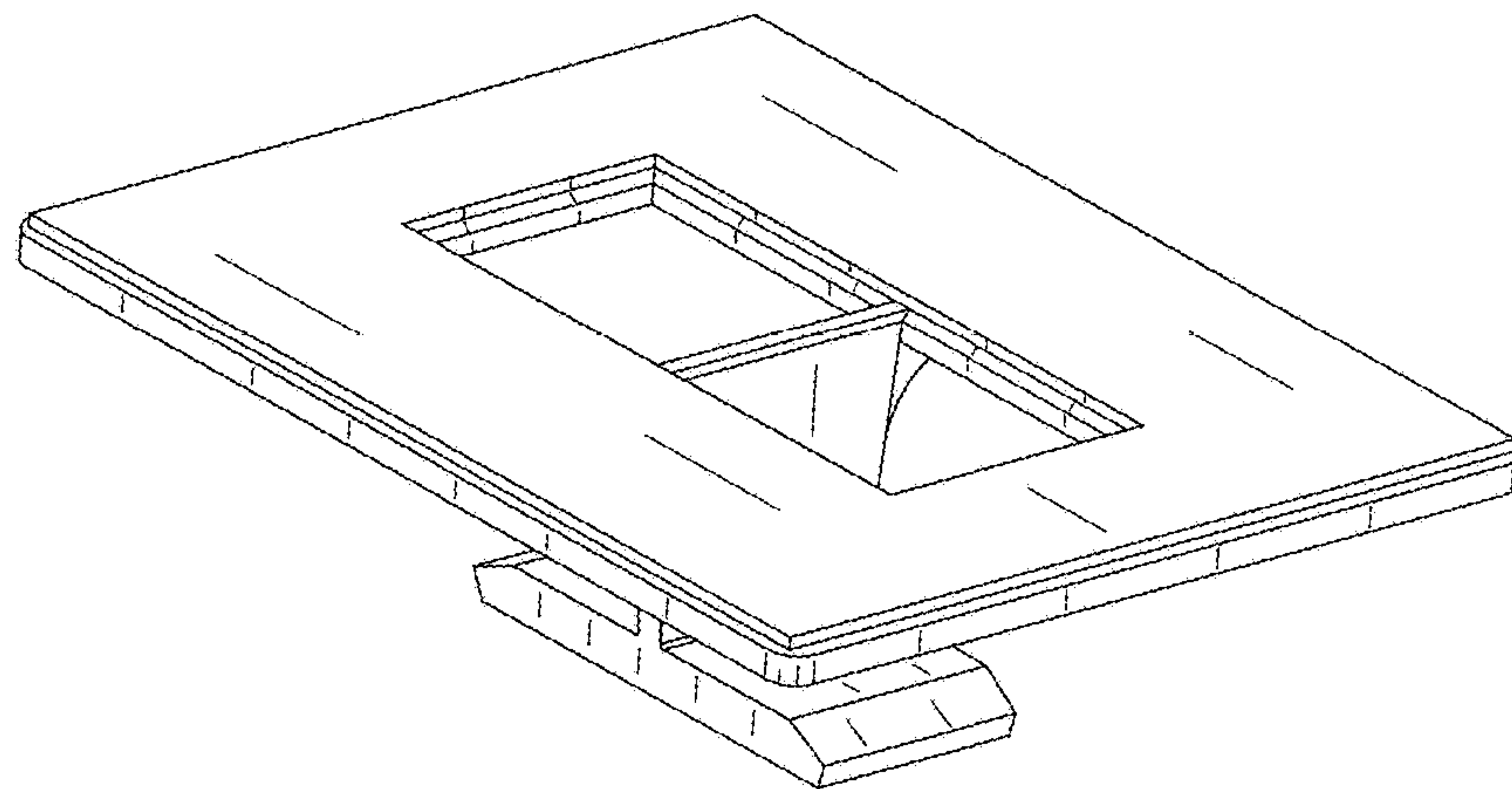


Figure 7

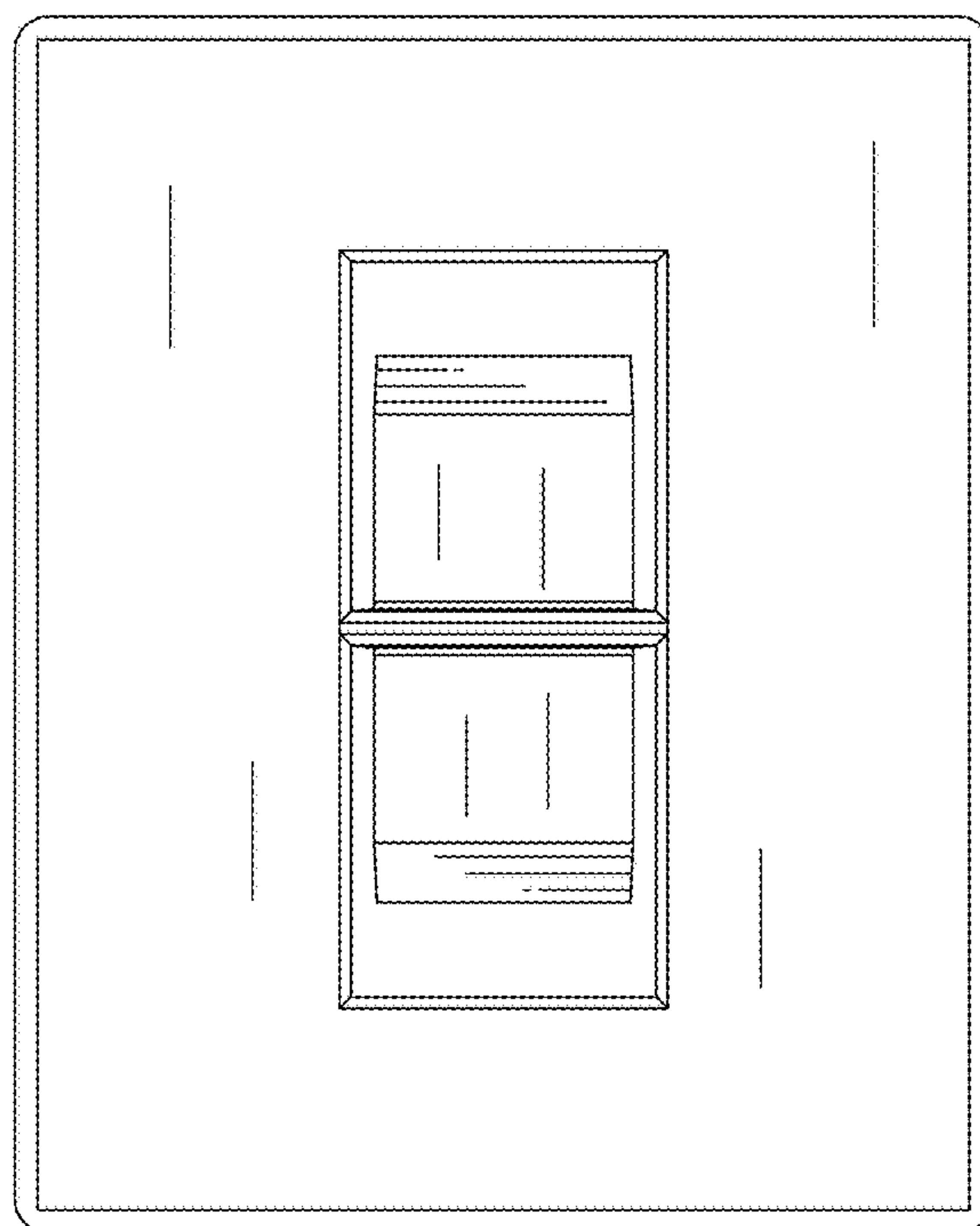


Figure 8

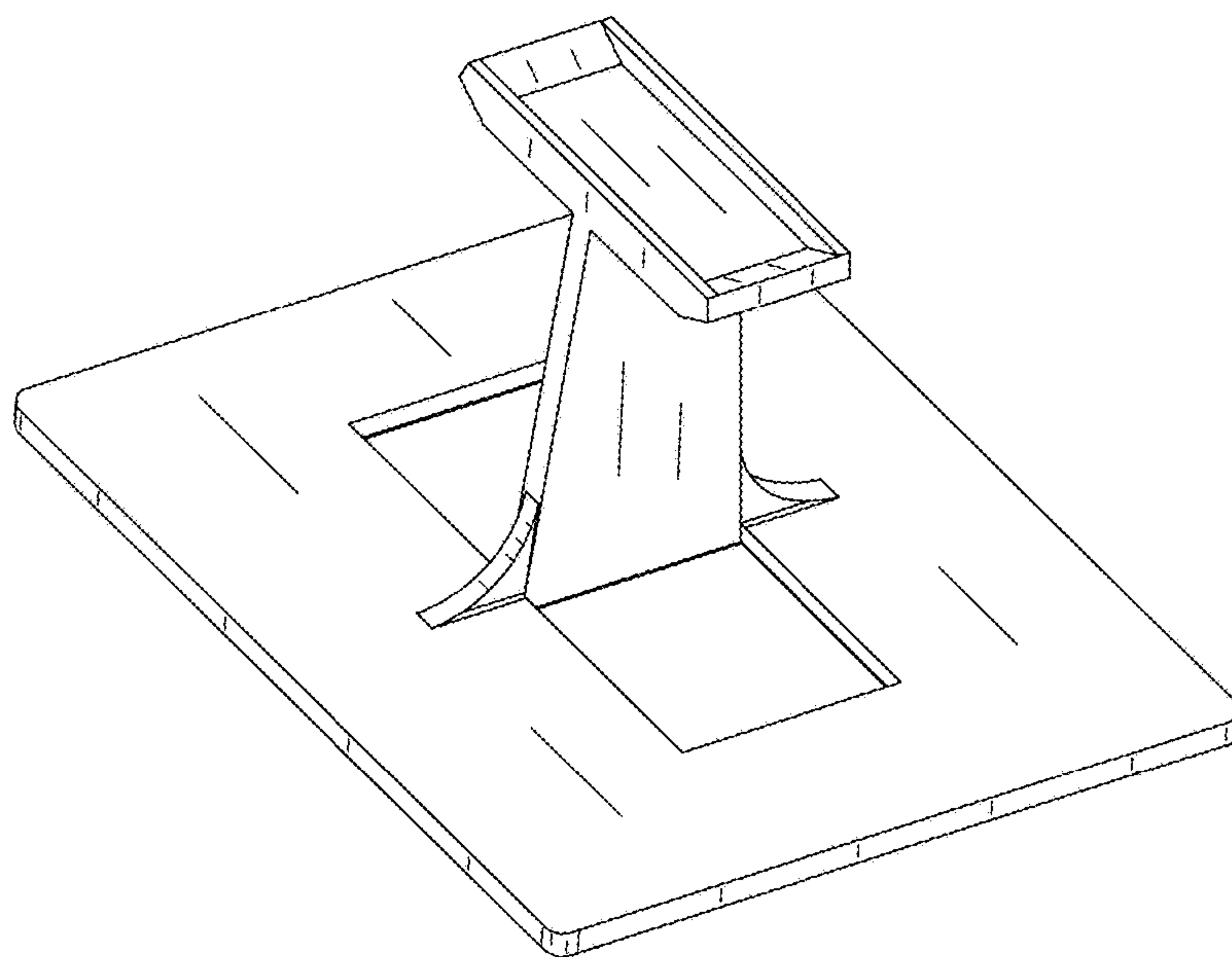


Figure 9

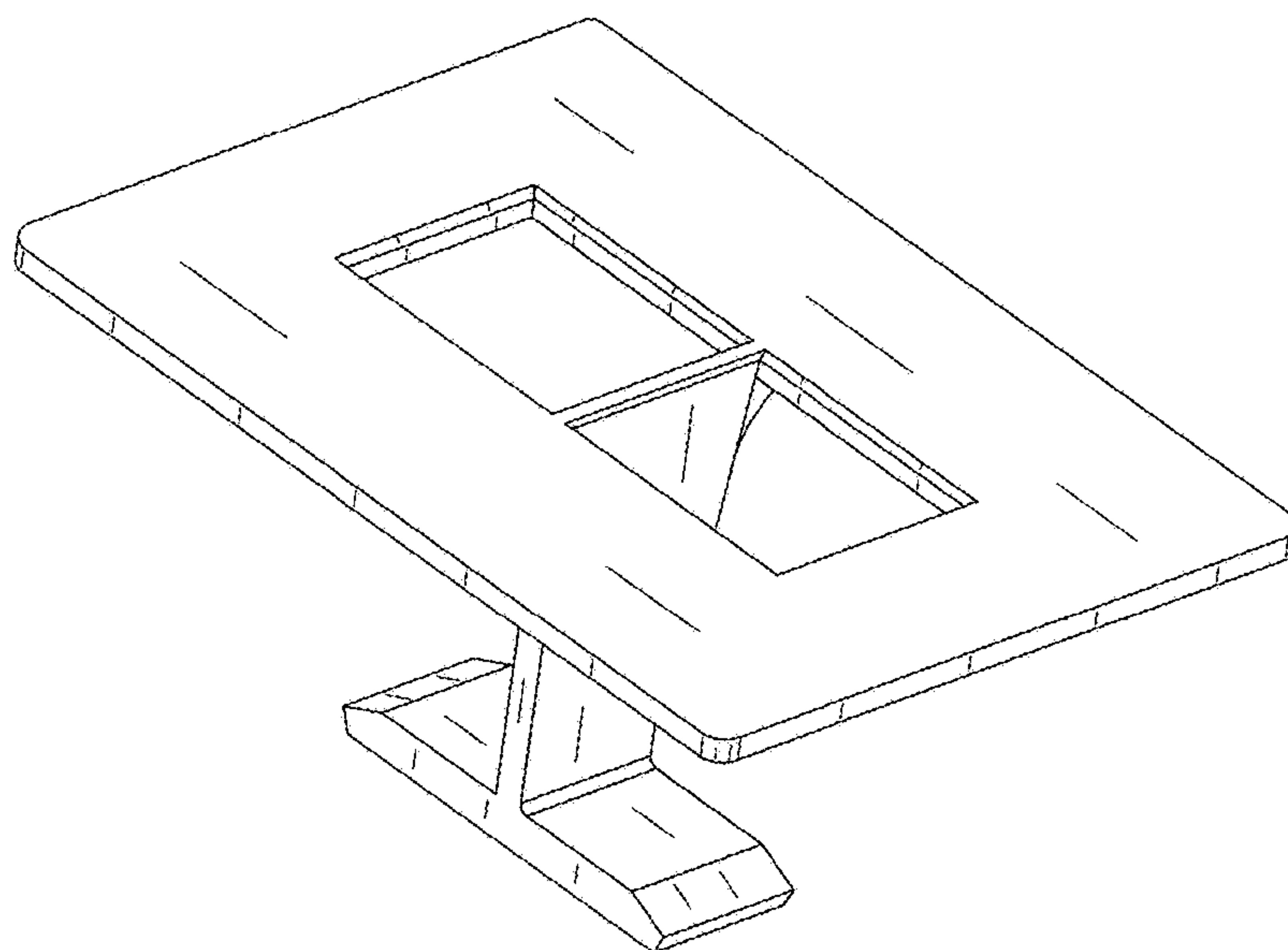


Figure 10

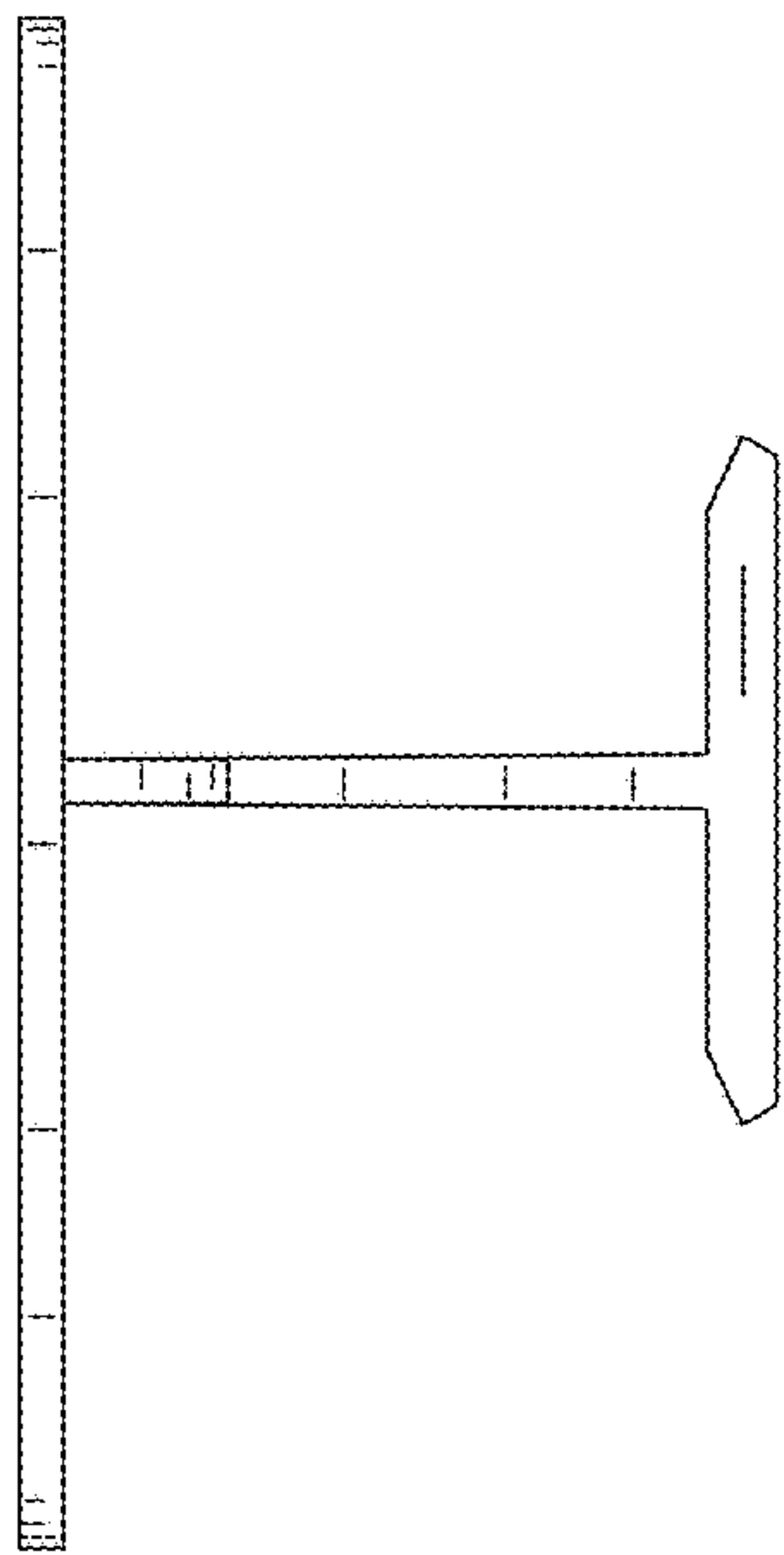


Figure 11

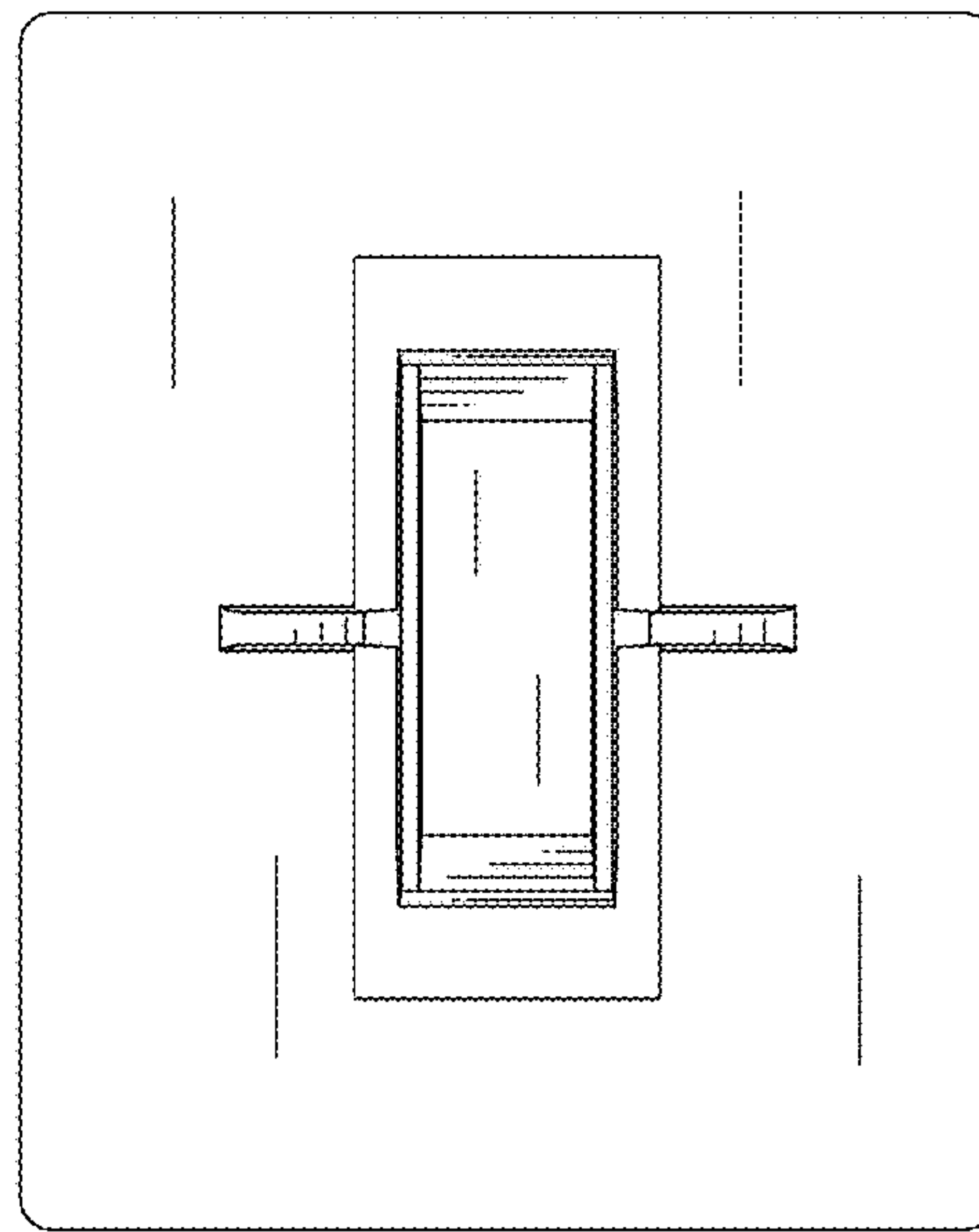


Figure 12

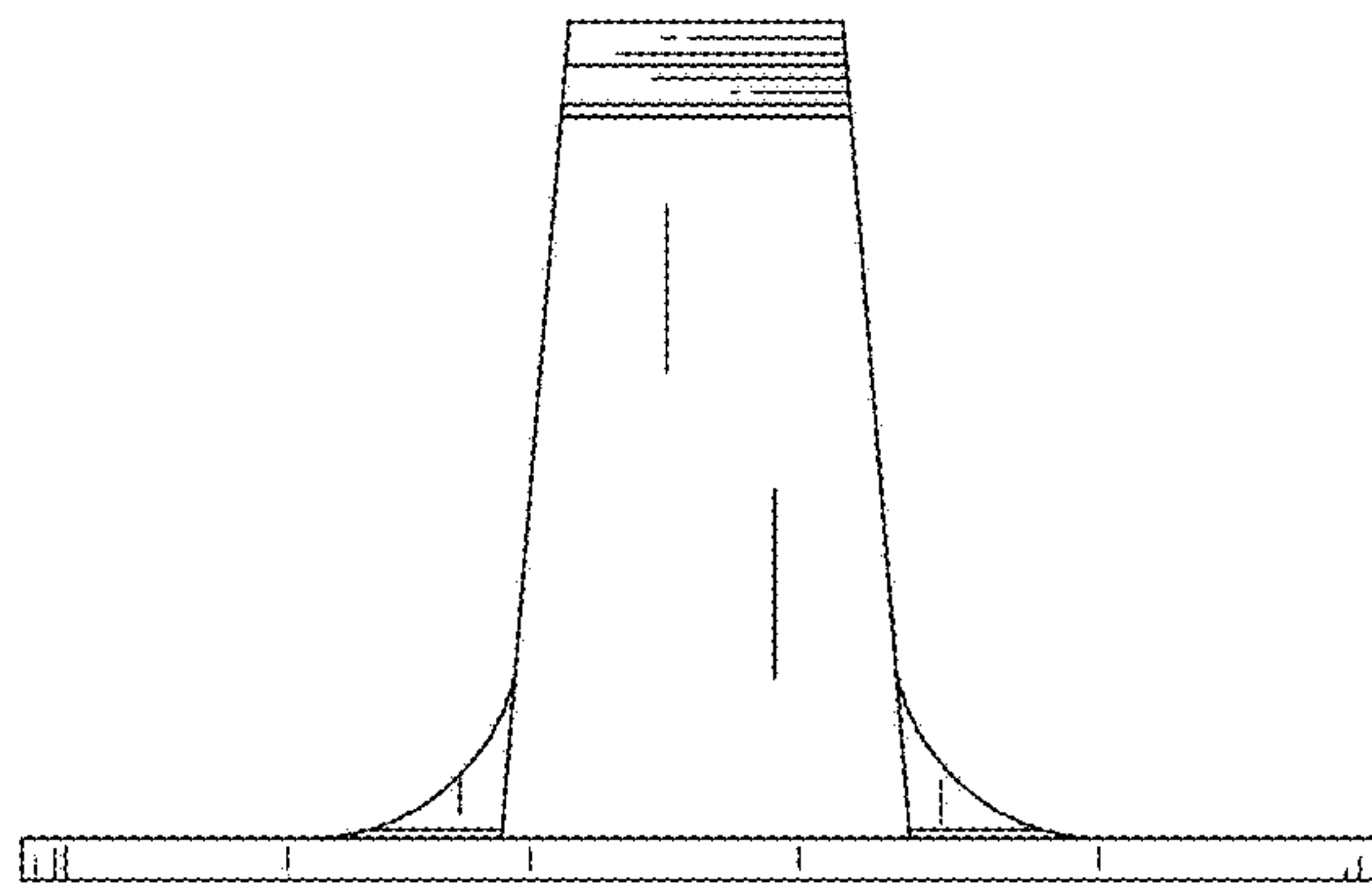


Figure 13

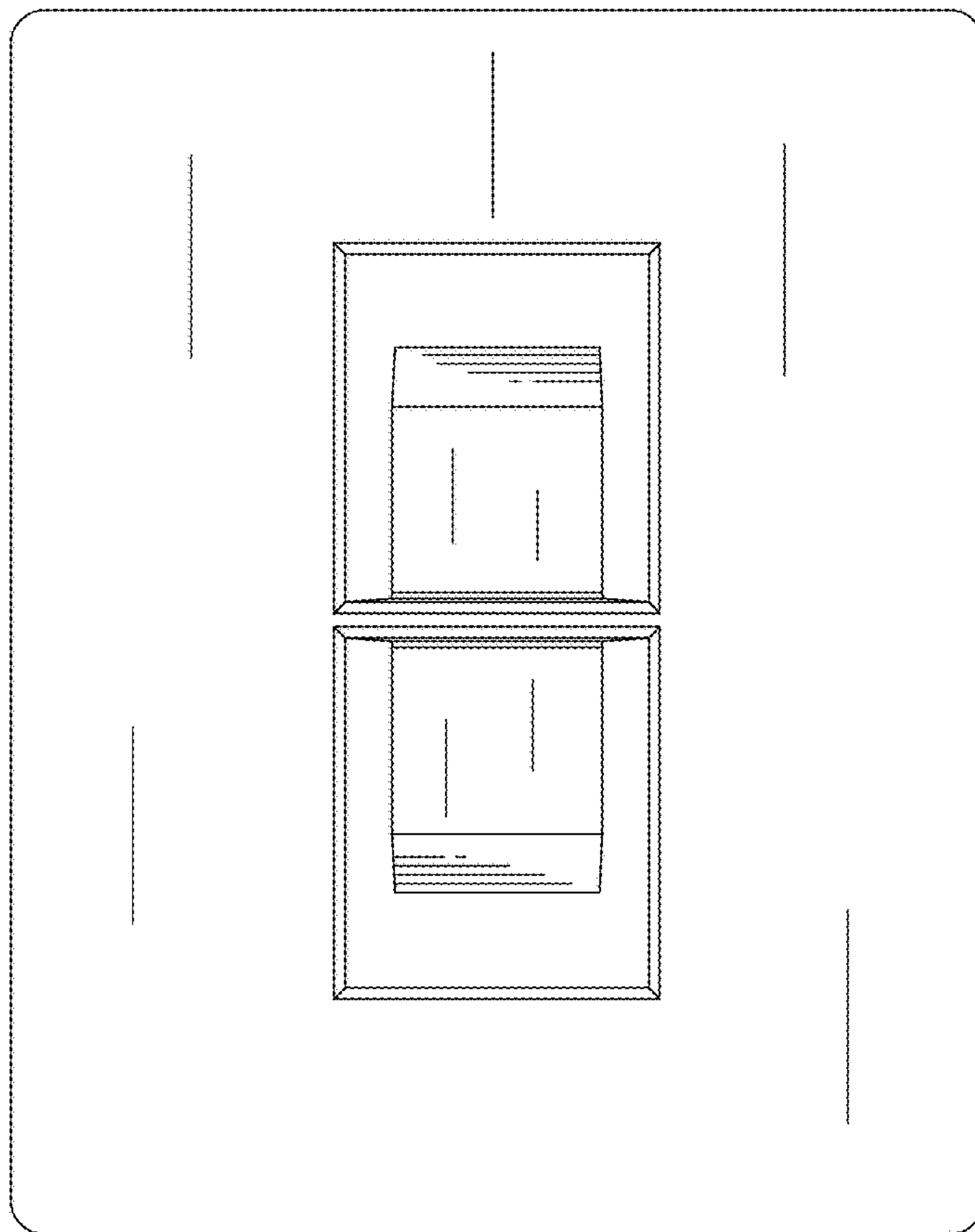


Figure 14

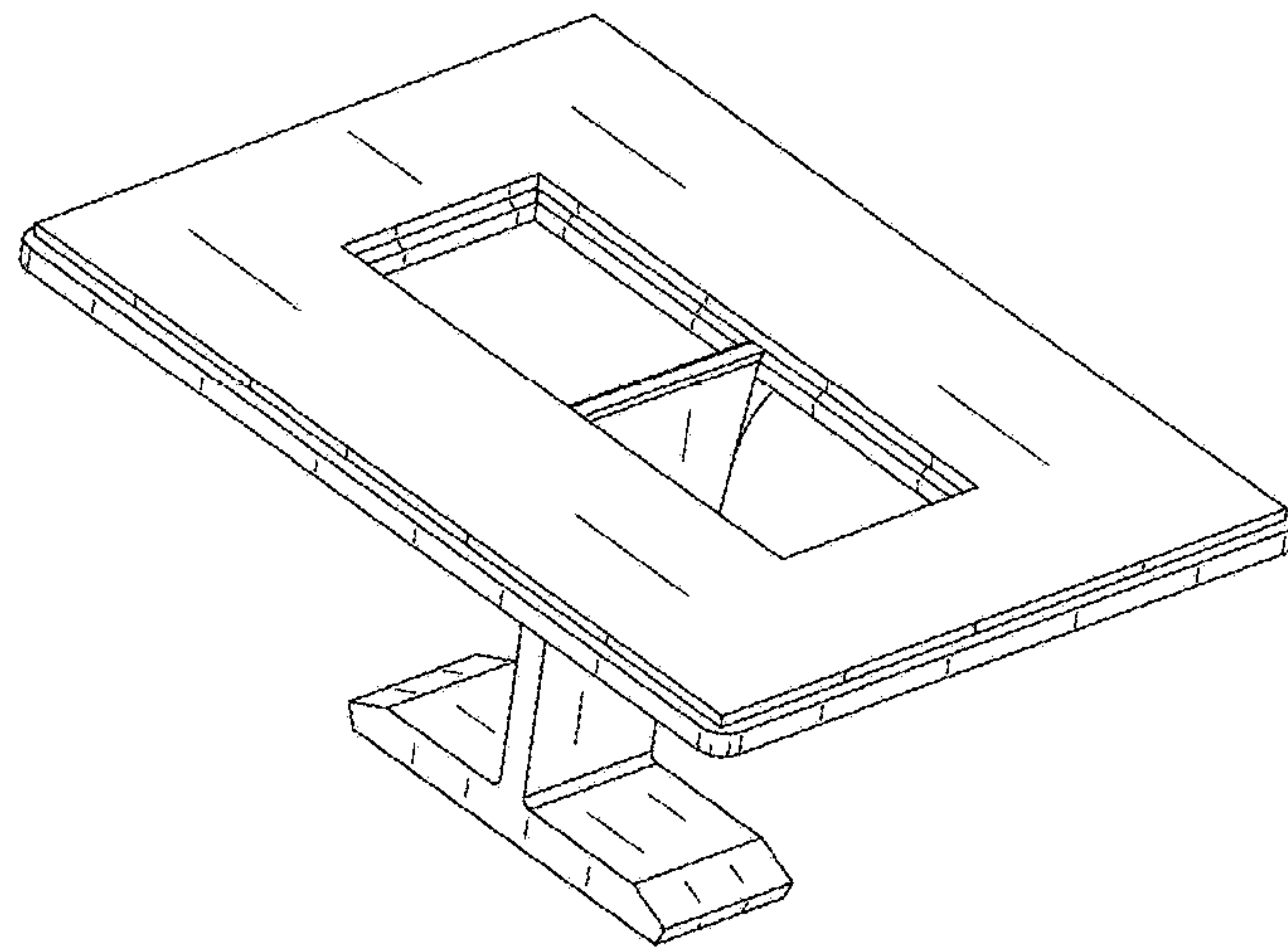


Figure 15

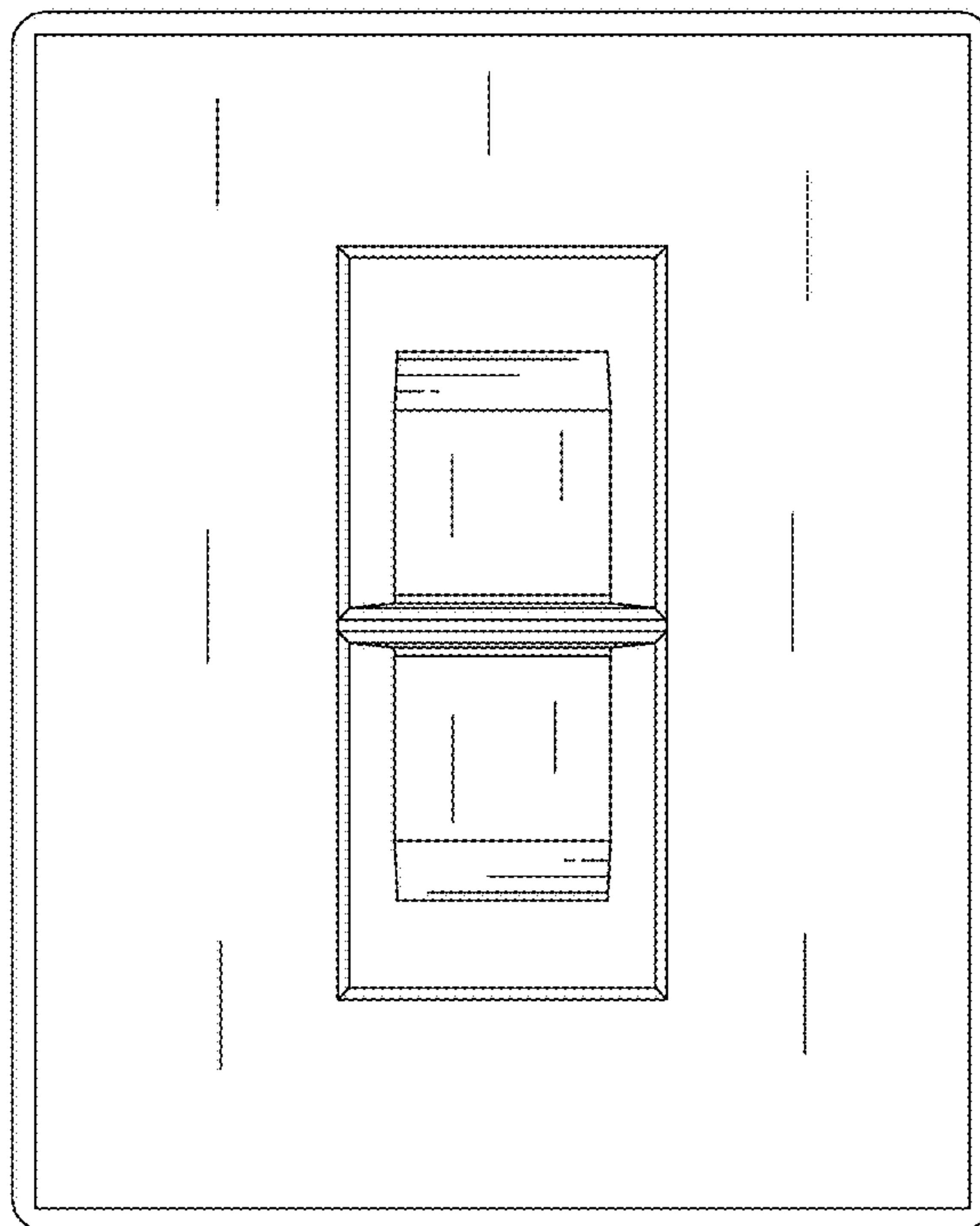


Figure 16