



US00D841445S

(12) **United States Design Patent** (10) **Patent No.:** **US D841,445 S**
Held et al. (45) **Date of Patent:** **** Feb. 26, 2019**

(54) **DRAPE RING**
(71) Applicant: **Carl Zeiss Meditec AG**, Jena (DE)
(72) Inventors: **Juergen Held**, Schwaebisch Gmuend (DE); **Philipp Simon**, Bad Duerheim (DE); **Jasmin Grosser**, Olching (DE)
(73) Assignee: **Carl Zeiss Meditec AG**, Jena (DE)
(**) Term: **15 Years**

D348,384 S * 7/1994 Karsten D8/363
D492,893 S * 7/2004 Oddsen, Jr. D8/354
D551,950 S * 10/2007 Davenport D8/367
D581,770 S * 12/2008 Choi D8/356
D627,209 S * 11/2010 Aziz D8/367
D664,423 S * 7/2012 Cittadino D8/367
D664,424 S * 7/2012 Cittadino D8/367
D671,394 S * 11/2012 Derry D8/373
D702,311 S * 4/2014 Fitzpatrick D22/108
D798,130 S * 9/2017 Chi D8/367
2008/0178423 A1* 7/2008 Patel A47H 13/00
16/87.2

(21) Appl. No.: **29/567,840**
(22) Filed: **Jun. 13, 2016**
(30) **Foreign Application Priority Data**

* cited by examiner
Primary Examiner — John Windmuller
Assistant Examiner — Benjamin M Weeks
(74) *Attorney, Agent, or Firm* — Walter Ottesen, P.A.

Dec. 11, 2015 (EM) 002907030
(51) **LOC (11) Cl.** **08-05**
(52) **U.S. Cl.**
USPC **D8/367**
(58) **Field of Classification Search**
USPC D6/315–328; D8/349, 354, 356, 368,
D8/370, 373, 389; D34/35
CPC A47G 25/32; A47G 25/28; A47G 25/442;
A47G 25/20; A47G 25/24; A47G
25/1421; A47G 25/1428; A47G 25/06;
A47G 25/52; A47G 25/38; A47G 25/50;
A47G 25/183; A47G 25/70; A47G 25/44;
A47F 7/19; A47F 5/01; A47F 5/13; F16B
2/00
See application file for complete search history.

(57) **CLAIM**
The ornamental design for a drape ring, as shown and described.

(56) **References Cited**
U.S. PATENT DOCUMENTS
D207,423 S * 4/1967 Pick D8/367
D230,037 S * 1/1974 Haws 54/84

DESCRIPTION
FIG. 1 is a top perspective view of a drape ring of our new design;
FIG. 2 is a bottom perspective view of the drape ring of FIG. 1;
FIG. 3 is a top plan view of the drape ring of FIG. 1;
FIG. 4 is a bottom plan view of the drape ring of FIG. 1;
FIG. 5 is a front elevation view of the drape ring of FIG. 1;
FIG. 6 is a rear elevation view of the drape ring of FIG. 1;
FIG. 7 is a left side elevation view of the drape ring of FIG. 1; and,
FIG. 8 is a right side elevation view of the drape ring of FIG. 1.

1 Claim, 4 Drawing Sheets

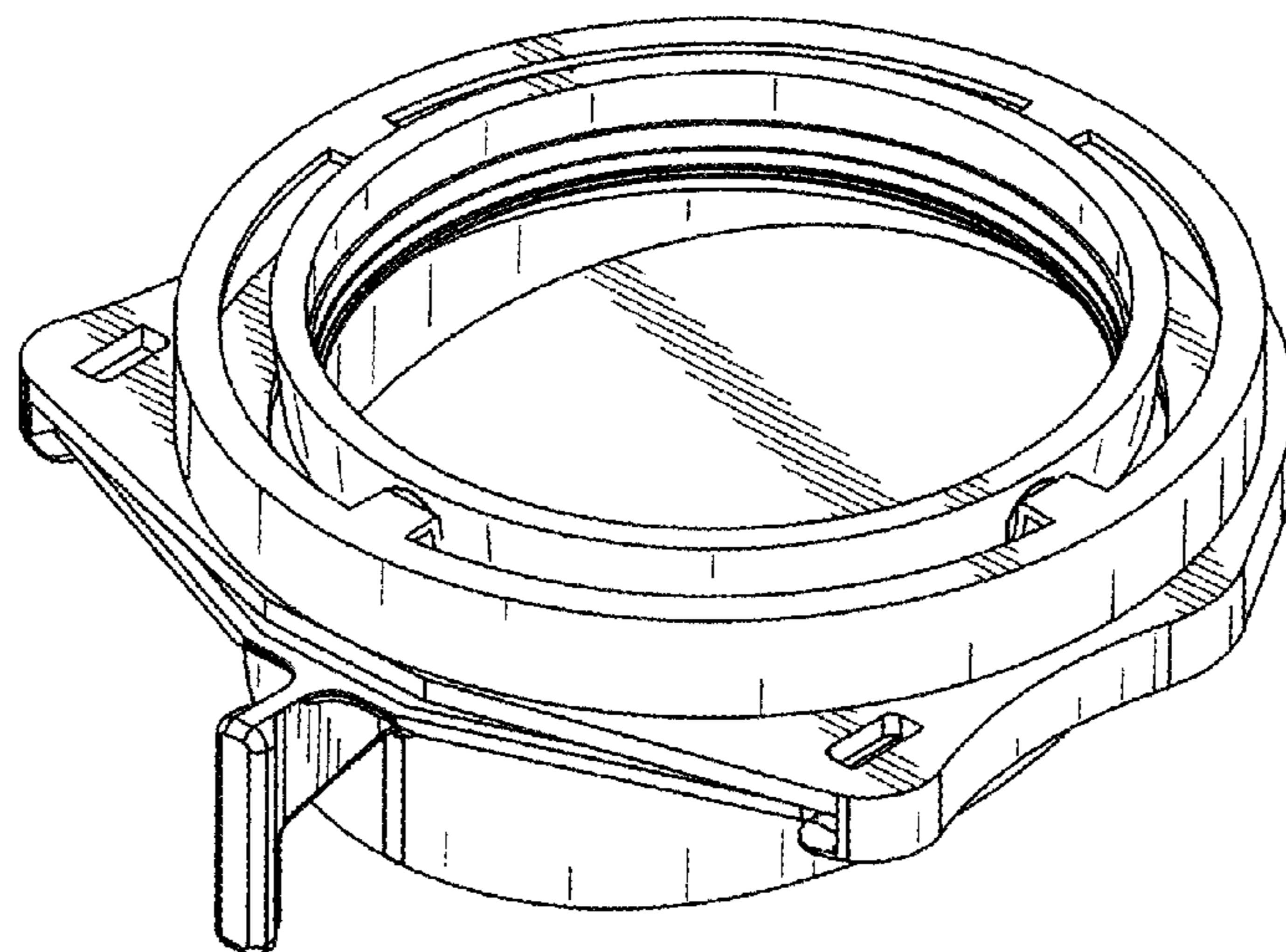


FIG. 1

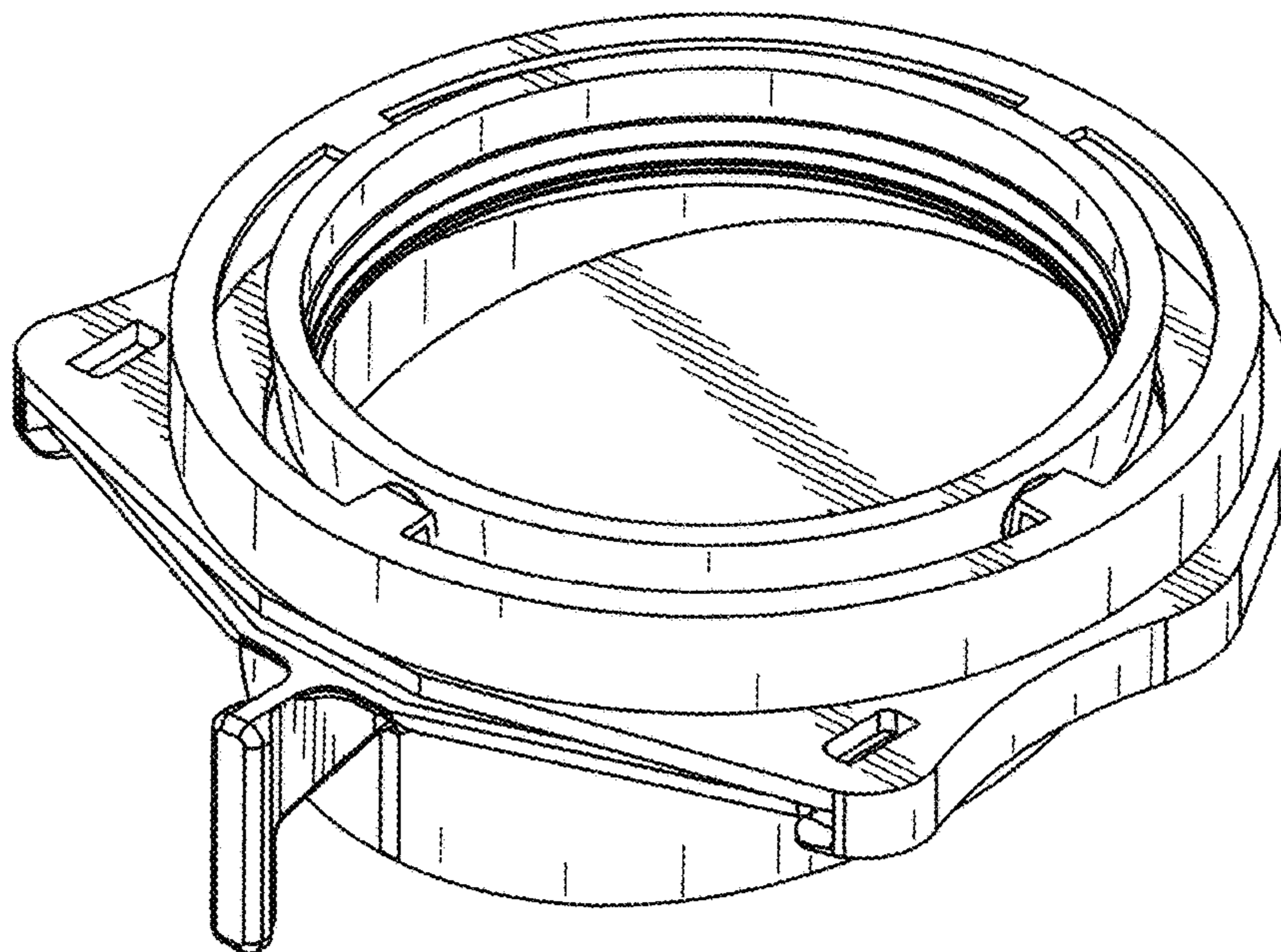
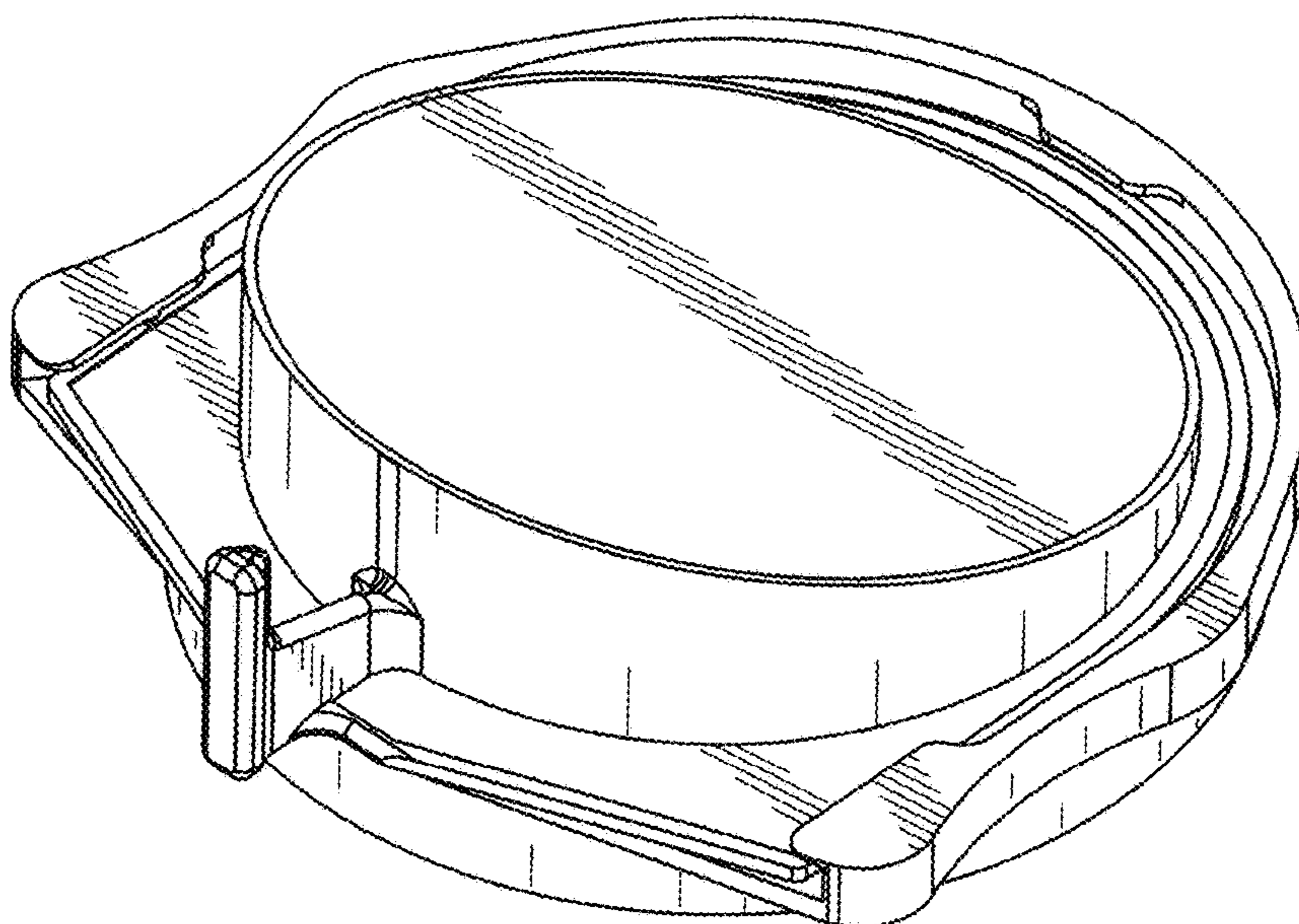


FIG. 2



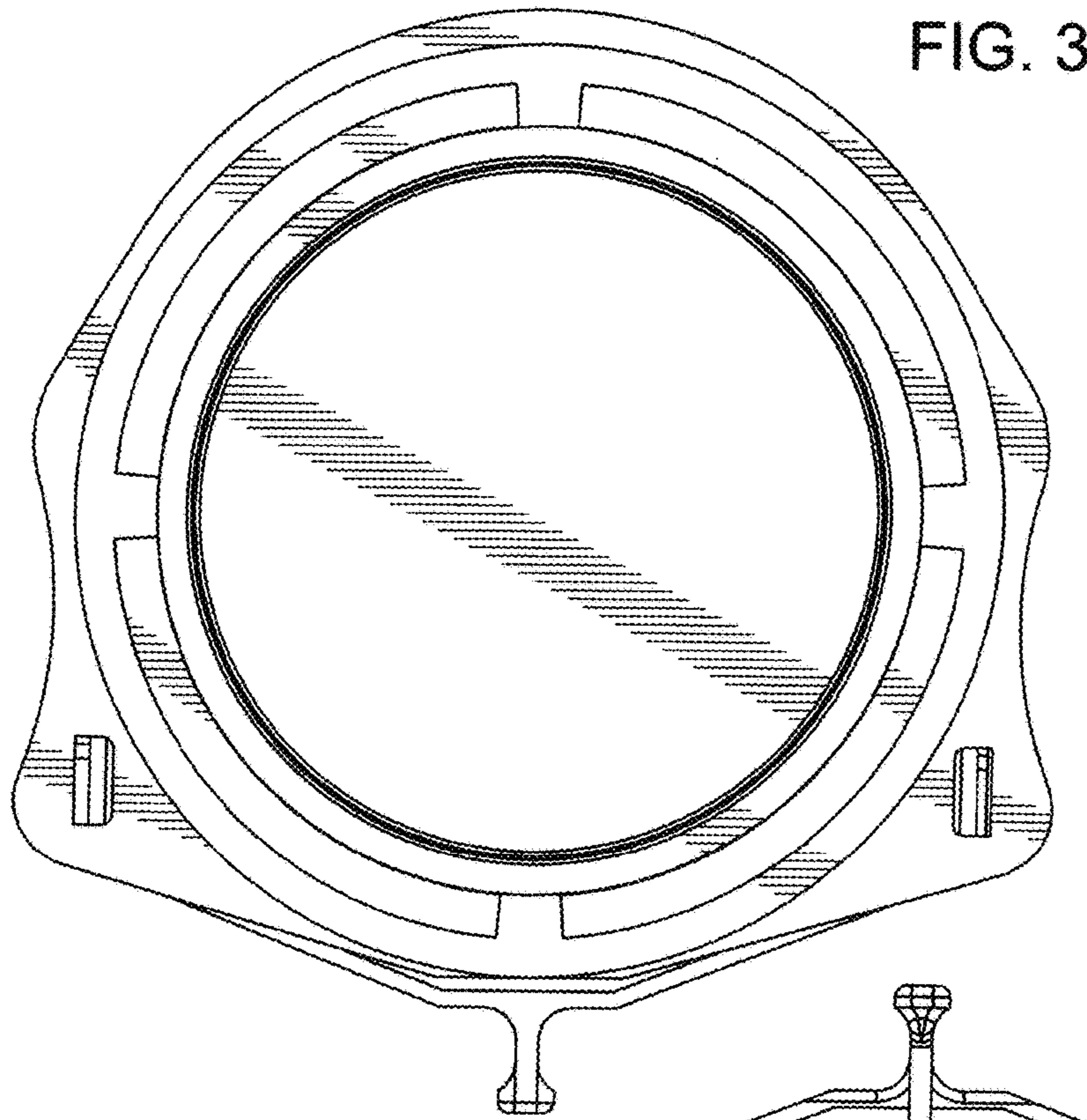


FIG. 3

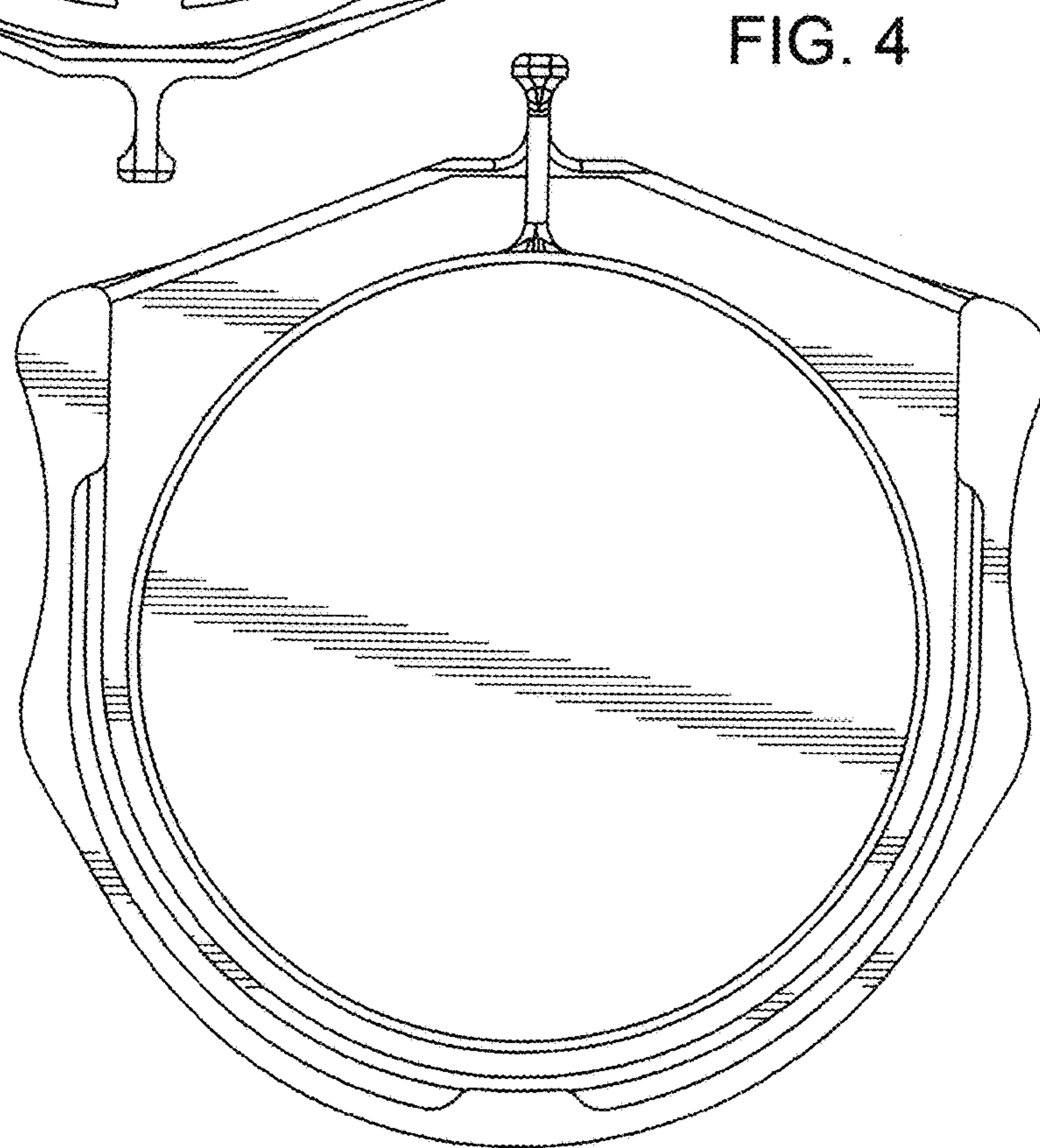


FIG. 4

FIG. 5

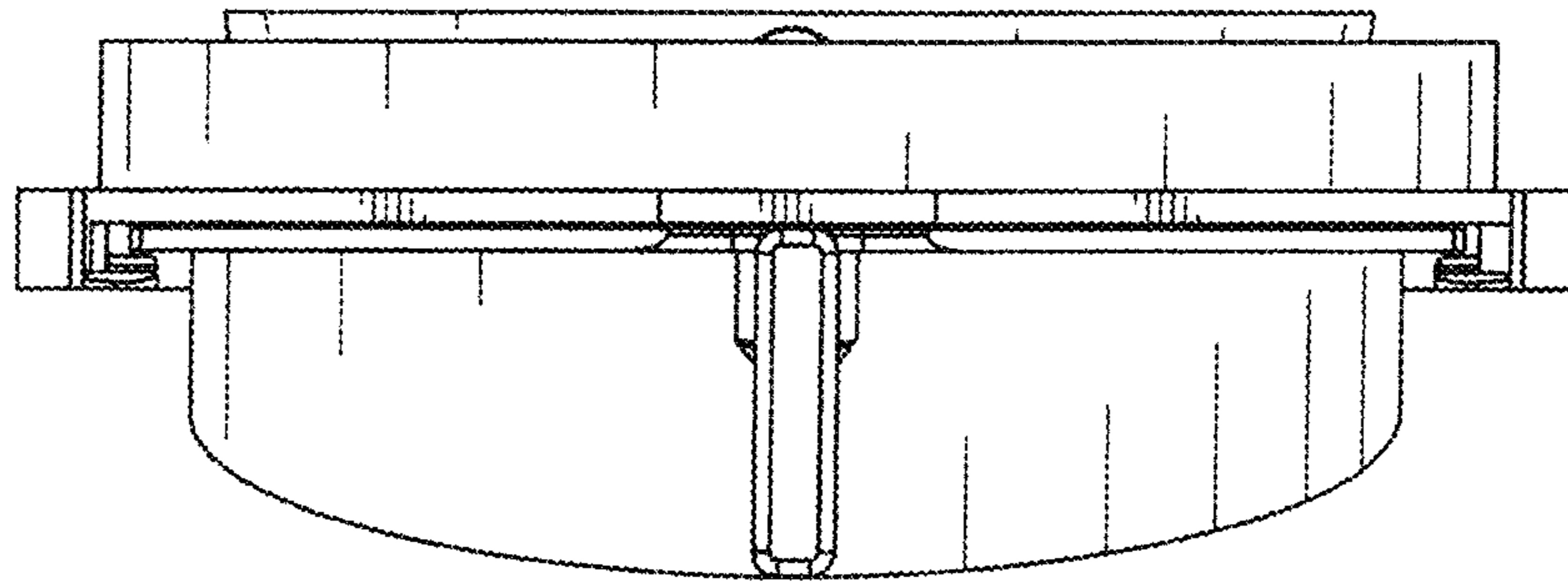


FIG. 6

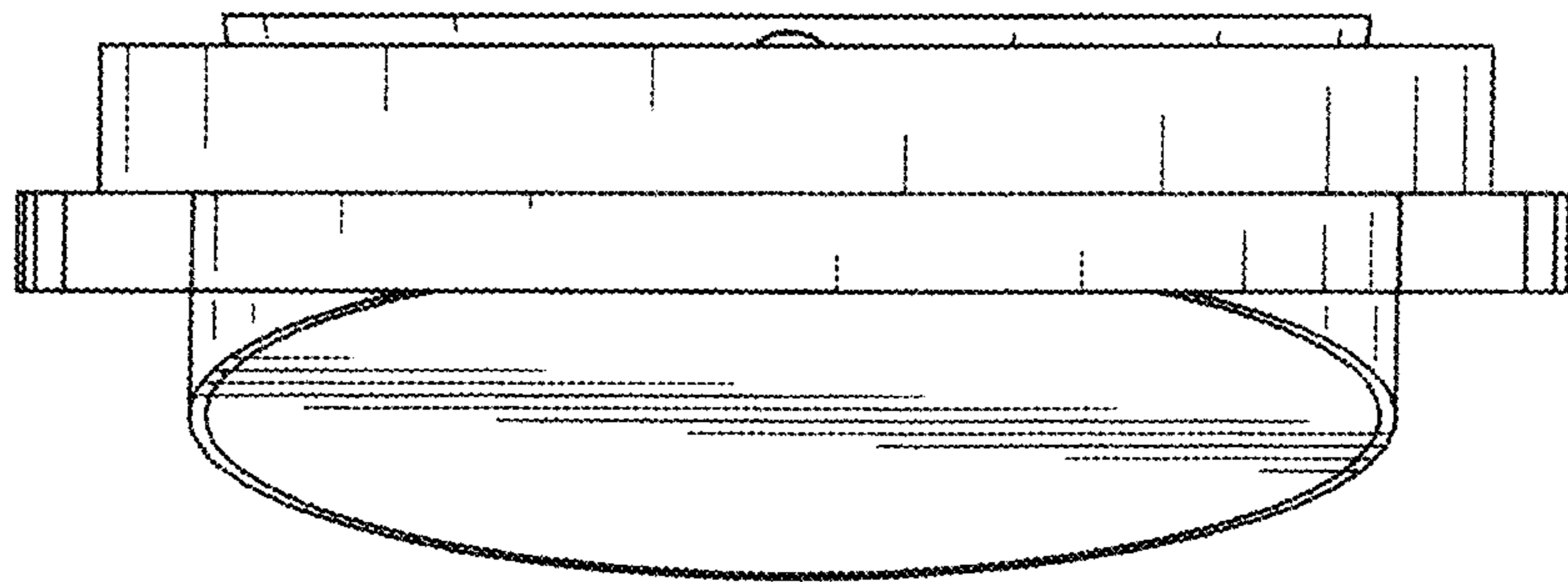


FIG. 7

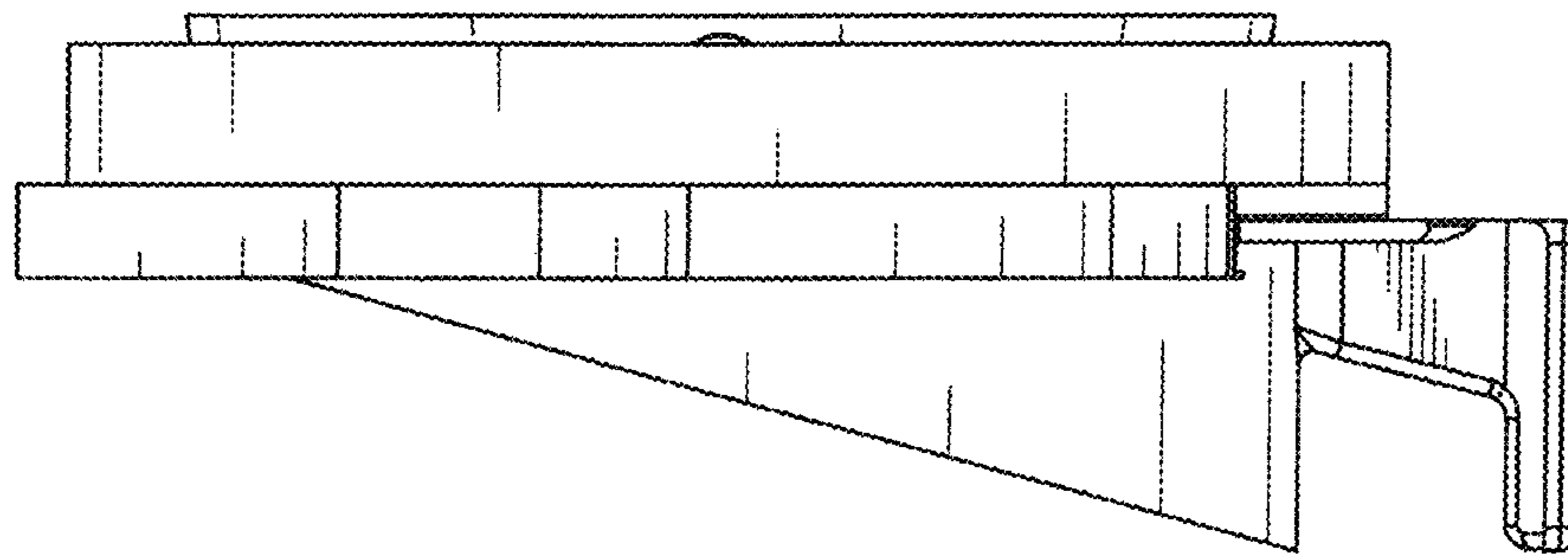


FIG. 8

