



US00D841444S

(12) **United States Design Patent** (10) **Patent No.:** **US D841,444 S**
Preus et al. (45) **Date of Patent:** **** Feb. 26, 2019**

(54) **ACCESSORY MOUNT**

(71) Applicant: **TTI (Macao Commerical Offshore) Limited, Macau (MO)**

(72) Inventors: **Michael Preus, Greenville, SC (US); Parke Pleasants, Anderson, SC (US); J. Luke Jenkins, Anderson, SC (US); John Schaalje, Williamson, SC (US); Taku Ohi, Greer, SC (US); Steven Westover, Anderson, SC (US); C. Eric Lagman, Anderson, SC (US)**

(73) Assignee: **TTI (MACAO COMMERCIAL OFFSHORE) LIMITED, Macau (MO)**

(**) Term: **15 Years**

(21) Appl. No.: **29/560,845**

(22) Filed: **Apr. 11, 2016**

(51) **LOC (11) Cl.** **08-05**

(52) **U.S. Cl.**
USPC **D8/367**

(58) **Field of Classification Search**
USPC D8/339, 349, 350-353, 371, 373, 380, D8/382-383, 394, 396, 404, 499, 367; D30/119; D23/411
CPC B60R 19/52; B60R 2019/525; B60R 11/0217; B60R 2011/0017; H04R 1/023; H04R 1/025; H04R 1/026; H04R 2499/13; H04R 2201/025; H04R 2400/11; H04R 5/023; E05D 11/1007; E05D 3/02; E05D 5/00; E05D 5/02; F24F 13/082; H04W 4/008; H04W 4/80; H04W 68/005
See application file for complete search history.

(56) **References Cited**

U.S. PATENT DOCUMENTS

4,064,404 A 12/1977 Willmott et al.
D252,216 S * 6/1979 Whitney, Jr. D25/22

4,538,661 A 9/1985 Henry et al.
5,589,747 A 12/1996 Utke
D393,506 S * 4/1998 Ohi D32/15
6,002,346 A 12/1999 Bowden et al.
(Continued)

FOREIGN PATENT DOCUMENTS

EP 1790814 5/2007
WO 3193220 12/2001
(Continued)

Primary Examiner — Rosemary K Tarcza
Assistant Examiner — Nathaniel D. Buckner
(74) *Attorney, Agent, or Firm* — Michael Best & Friedrich LLP

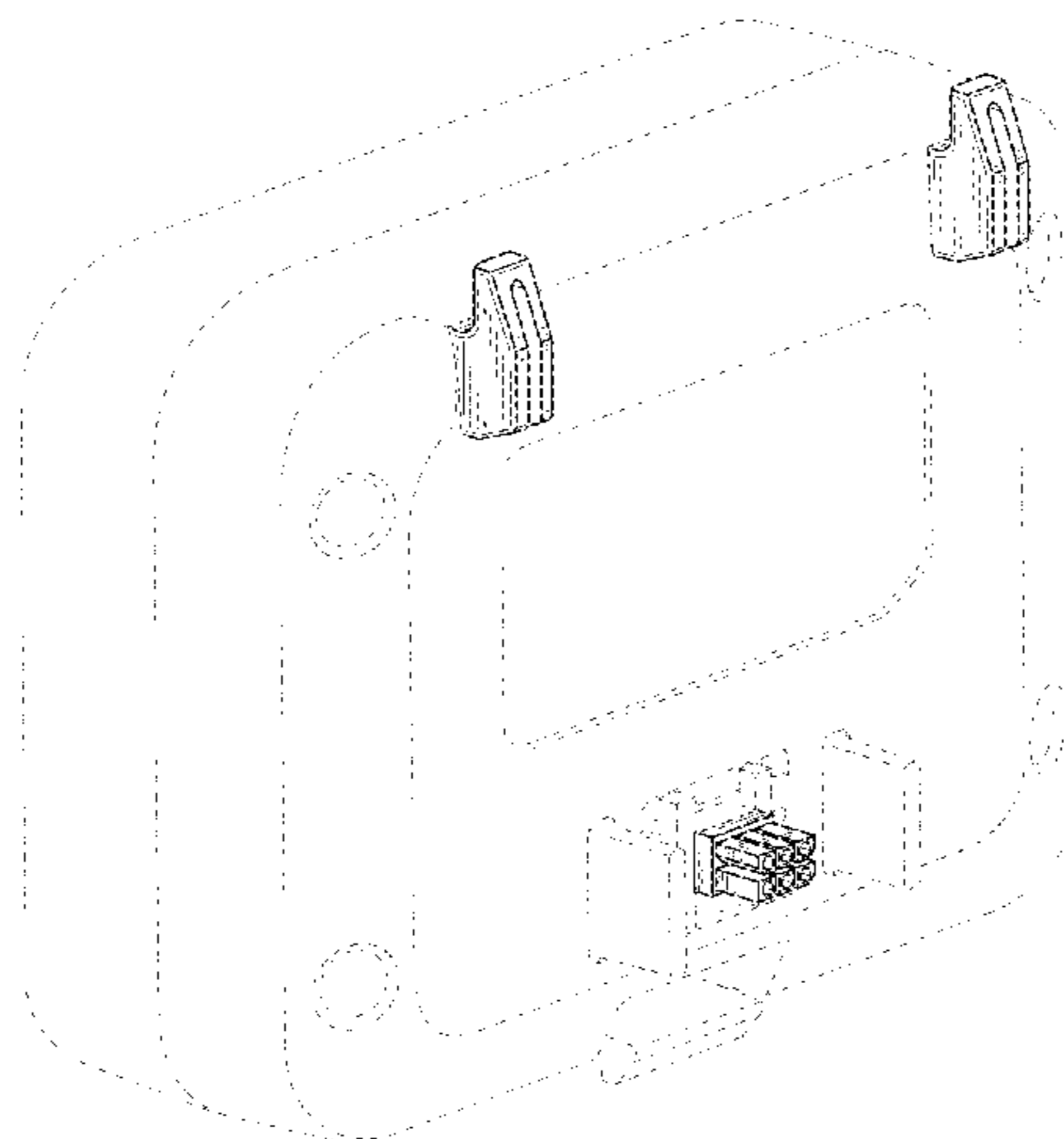
(57) **CLAIM**

We claim the ornamental design for an accessory mount, as shown and described.

DESCRIPTION

FIG. 1 is a perspective view of an accessory mount according to an embodiment of the invention.
FIG. 2 is a front view of the accessory mount of FIG. 1.
FIG. 3 is a rear view of the accessory mount of FIG. 1.
FIG. 4 is a first side view of the accessory mount of FIG. 1.
FIG. 5 is a second side view of the accessory mount of FIG. 1.
FIG. 6 is a top view of the accessory mount of FIG. 1; and, FIG. 7 is a bottom view of the accessory mount of FIG. 1.
The portions of the accessory mount shown in broken lines are included for the purpose of illustrating environment and form no part of the claimed design. The portions of the accessory mount shown in broken lines having unequal length segments illustrate the boundary of the claimed design and form no part of the claimed design.

1 Claim, 5 Drawing Sheets



(56)

References Cited

U.S. PATENT DOCUMENTS

6,027,148 A 2/2000 Shoemaker
 6,089,626 A 7/2000 Shoemaker
 6,124,822 A 9/2000 Wu
 6,191,706 B1 2/2001 Kositkun
 6,218,962 B1 4/2001 Fiene
 6,310,548 B1 10/2001 Stephens, Jr. et al.
 D458,863 S * 6/2002 Harding D10/99
 6,469,464 B1 10/2002 McCall
 D472,091 S * 3/2003 Bell D6/552
 6,683,431 B2 1/2004 Fitzgibbon et al.
 6,911,898 B2 6/2005 Chung
 6,946,973 B1 9/2005 Yanda
 6,975,203 B2 12/2005 Brookbank et al.
 6,989,760 B2 1/2006 Dierking et al.
 7,057,547 B2 6/2006 Olmsted et al.
 7,145,470 B2 12/2006 Hoermann
 7,194,412 B2 3/2007 Mays
 7,265,508 B1 9/2007 Karasek et al.
 7,683,794 B2 3/2010 Contreras
 7,688,014 B2 3/2010 Tang et al.
 D623,660 S * 9/2010 Kieffer D15/1
 7,996,231 B2 8/2011 Mays
 8,011,633 B2 * 9/2011 Huang A47G 25/0635
 248/292.13
 8,077,054 B1 12/2011 Aarons
 8,330,570 B2 12/2012 Martin
 8,330,573 B2 12/2012 Crus
 D682,663 S * 5/2013 Evon D8/367
 D685,998 S * 7/2013 Robbins, III D5/47
 8,542,093 B2 9/2013 Rodriguez et al.
 D691,027 S * 10/2013 Rainer D8/356
 D697,388 S * 1/2014 Pan D8/367
 D700,828 S * 3/2014 Goodman D8/367
 D704,038 S * 5/2014 Roethler D8/367
 8,766,768 B2 7/2014 Martin
 8,786,435 B2 7/2014 Barnett et al.
 8,810,433 B1 8/2014 Aarons
 D714,621 S * 10/2014 Pan D8/367
 D714,623 S * 10/2014 Pan D8/367

8,866,583 B2 10/2014 Ordaz
 D720,984 S * 1/2015 Privitera D8/367
 D722,954 S * 2/2015 James D13/107
 9,347,468 B2 * 5/2016 Eisenkolb A47H 13/04
 13/4
 D761,638 S * 7/2016 Johnson D8/367
 D774,635 S * 12/2016 Kruska D23/366
 D785,145 S * 4/2017 He D23/285
 D786,787 S * 5/2017 Yang D13/103
 D790,408 S * 6/2017 Wymore D12/162
 D799,022 S * 10/2017 Ksiazek D23/411
 D799,670 S * 10/2017 McDonnell D23/378
 D804,739 S * 12/2017 Ksiazek D30/119
 D805,182 S * 12/2017 Pickett D23/411
 D806,650 S * 1/2018 Chang D13/112
 D808,001 S * 1/2018 Berkman D23/371
 D808,510 S * 1/2018 Gajewski D23/377
 D810,269 S * 2/2018 Sanders D23/383
 D810,911 S * 2/2018 Hoss D23/370
 D810,973 S * 2/2018 Jacq D26/28
 D811,090 S * 2/2018 Karl D3/318
 2002/0140576 A1 10/2002 Simon
 2003/0160705 A1 8/2003 Guetz
 2007/0235149 A1 11/2007 Hillar et al.
 2008/0079570 A1 4/2008 Fineman et al.
 2009/0313898 A1 12/2009 Manaras
 2010/0058669 A1 3/2010 Cole
 2011/0199234 A1 8/2011 Butler, III et al.
 2012/0192852 A1 * 8/2012 Whitmire F04D 25/06
 126/25 B
 2013/0081329 A1 4/2013 French et al.
 2014/0007505 A1 1/2014 Manaras
 2014/0259927 A1 9/2014 McNally, II
 2017/0099074 A1 * 4/2017 Richardson G06F 1/1626
 2017/0150847 A1 * 6/2017 Feng A47J 37/0754
 2017/0295658 A1 * 10/2017 Whitmire H05K 5/0247

FOREIGN PATENT DOCUMENTS

WO 2007047720 4/2007
 WO 2012171756 12/2012

* cited by examiner

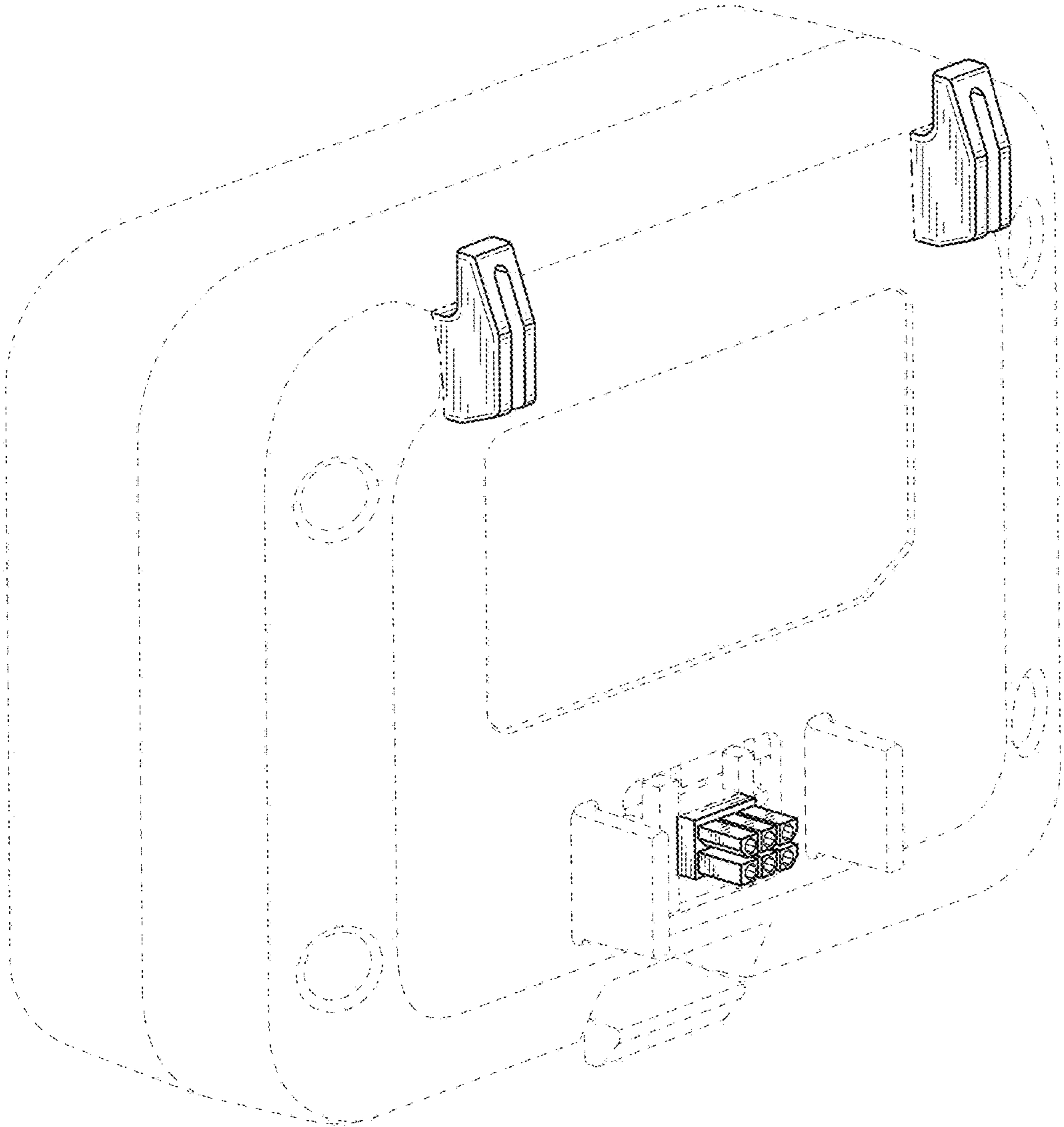


FIG. 1

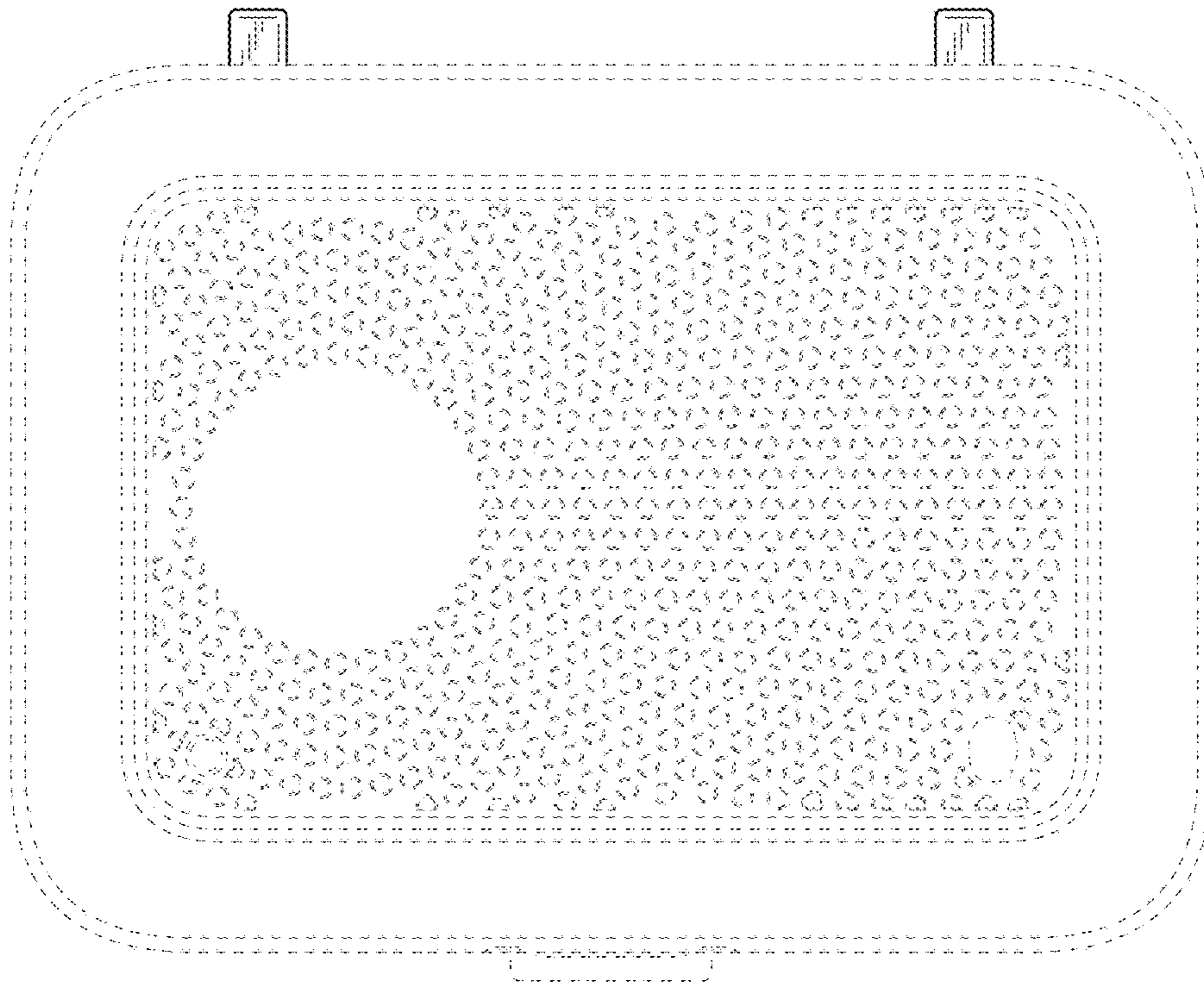


FIG. 2

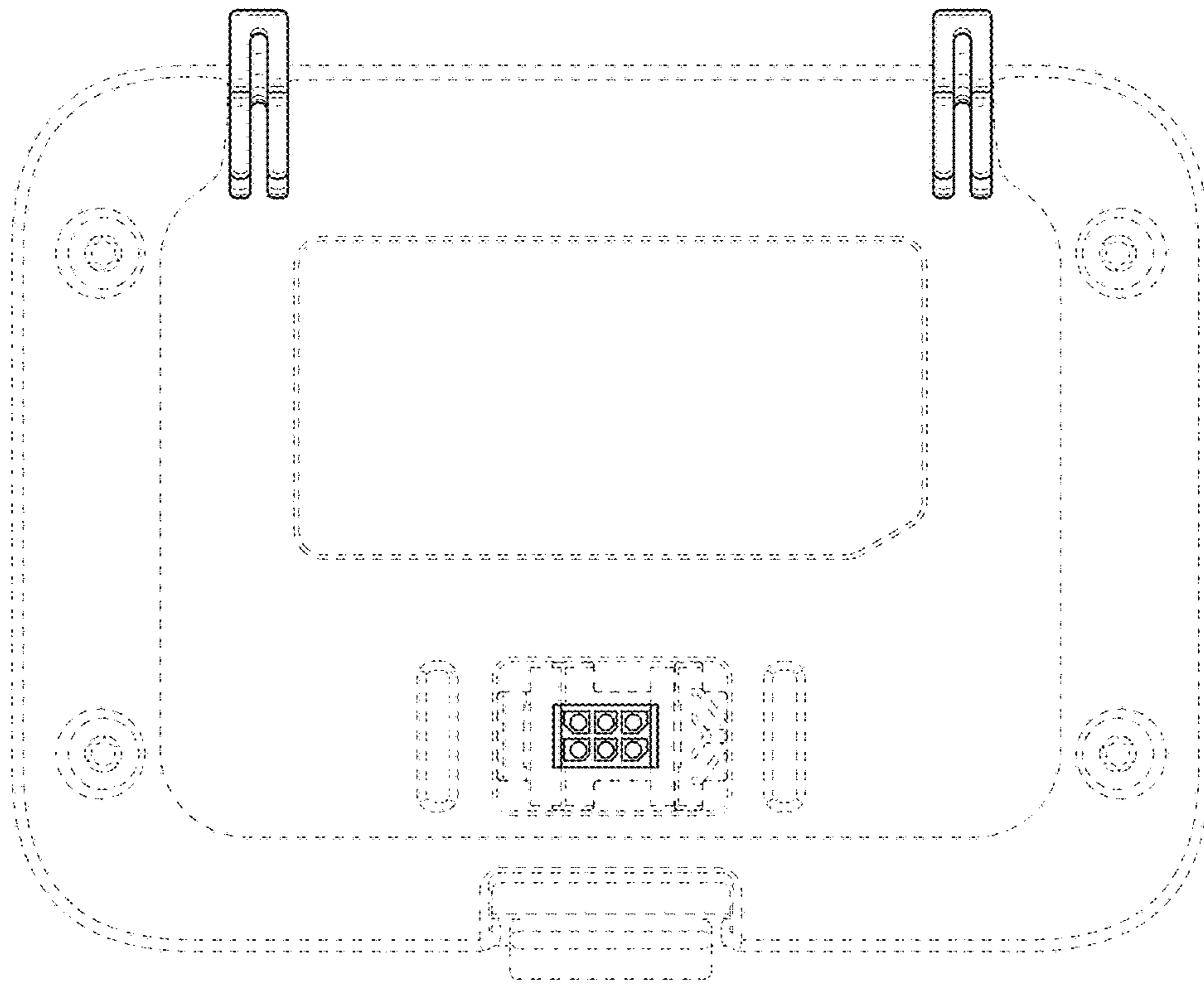


FIG. 3

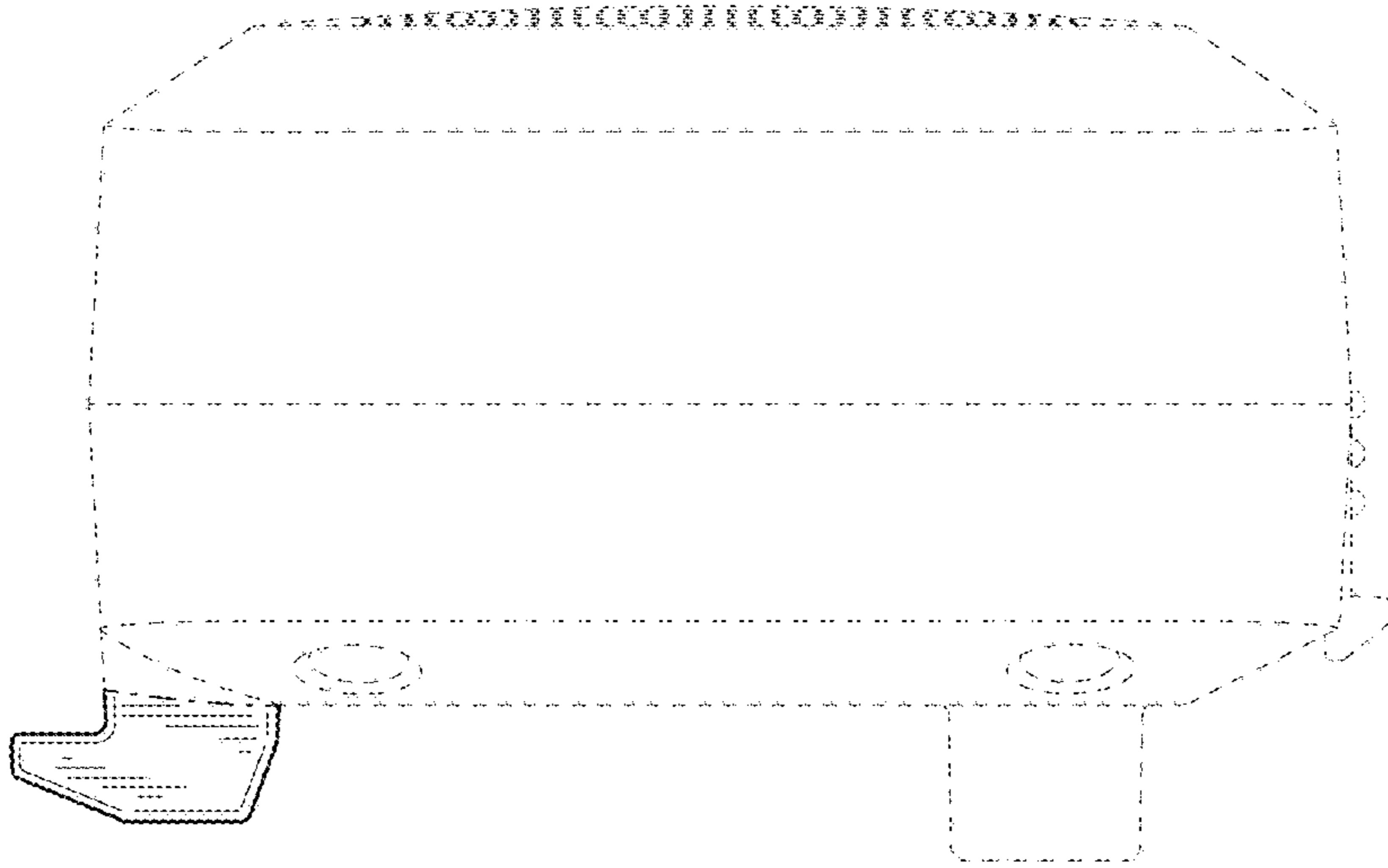


FIG. 5

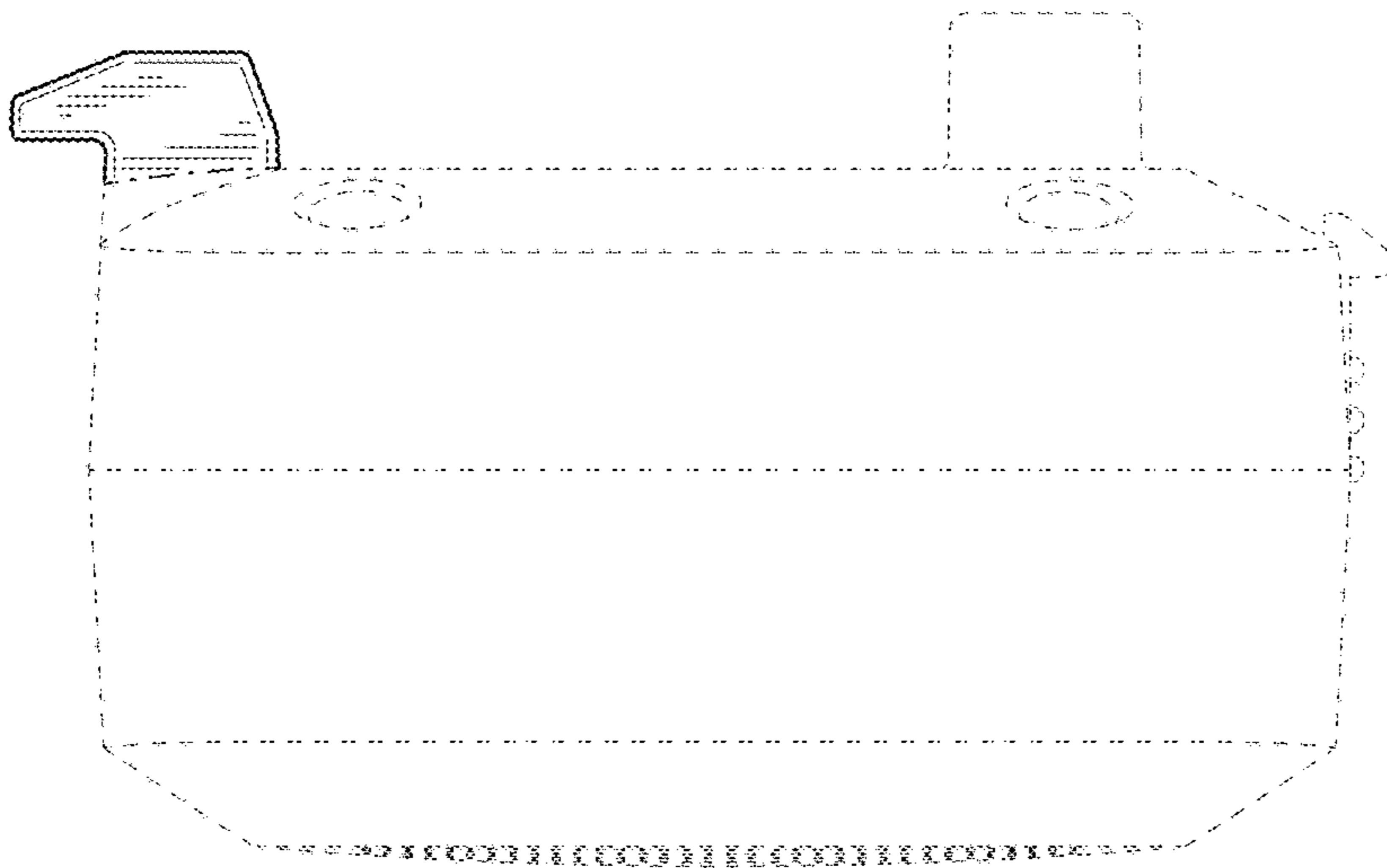


FIG. 4

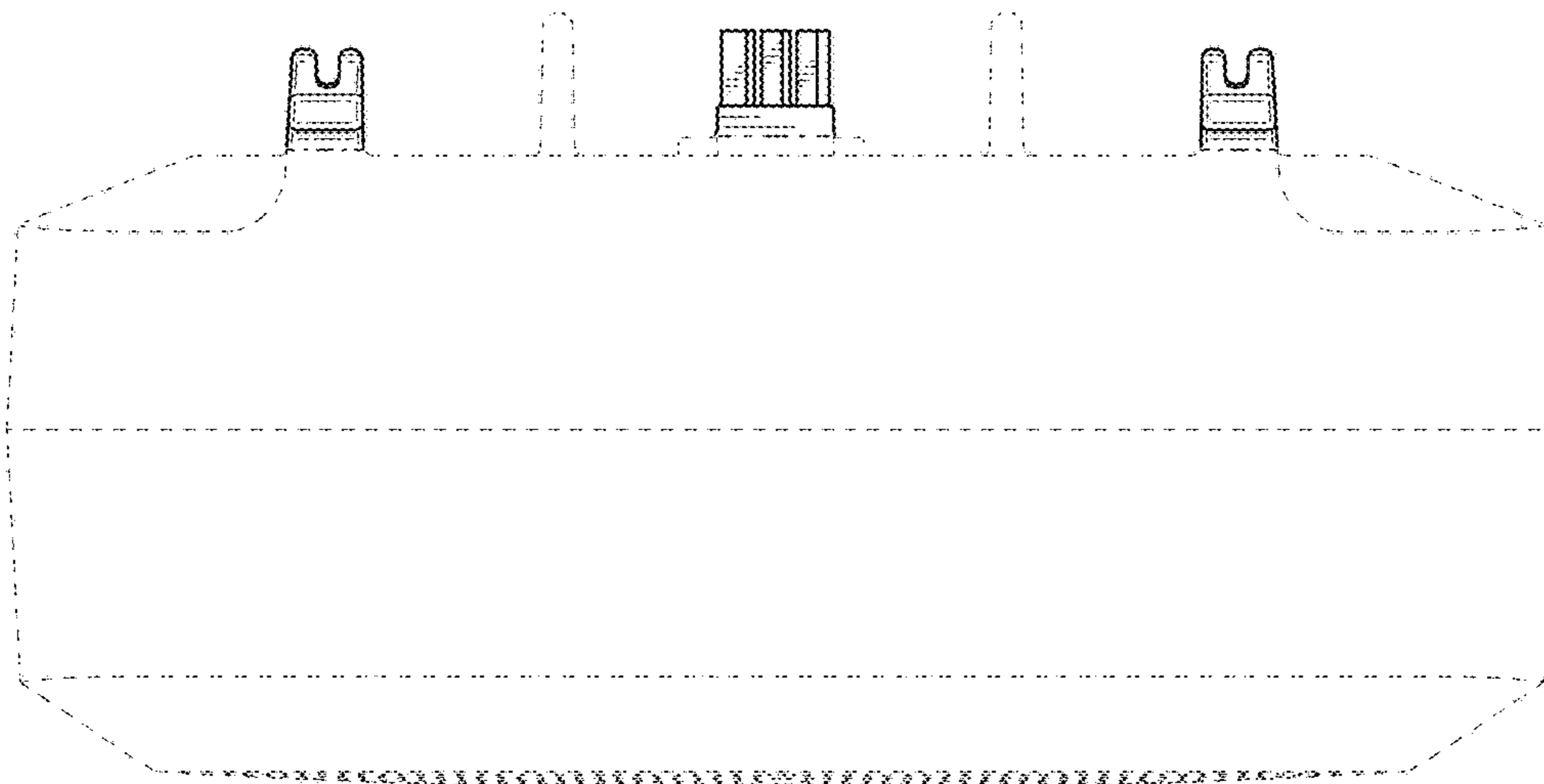


FIG. 6

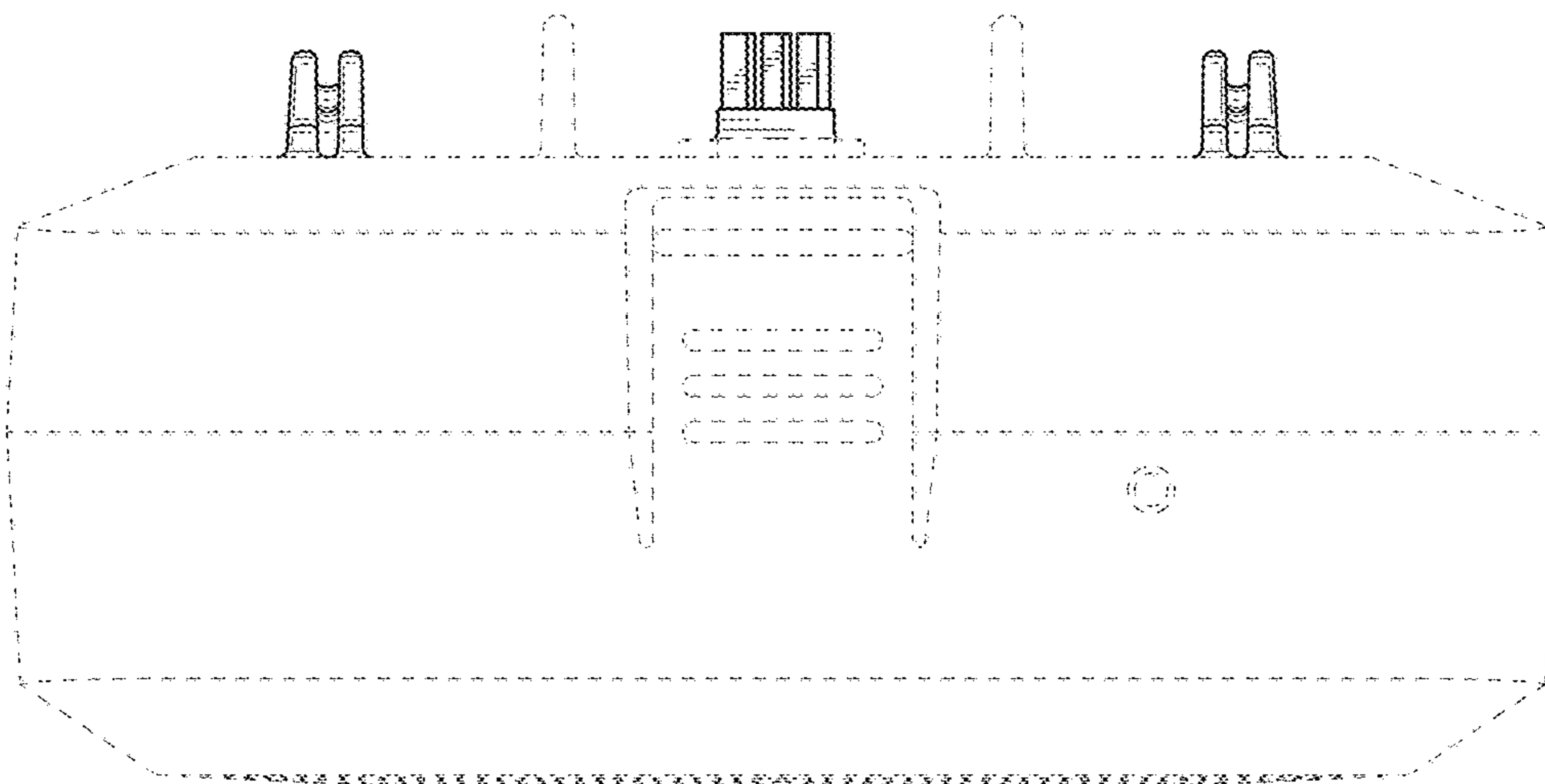


FIG. 7