



US00D841438S

(12) **United States Design Patent**  
**Ito et al.**

(10) **Patent No.:** **US D841,438 S**

(45) **Date of Patent:** **\*\* Feb. 26, 2019**

- (54) **SPACER WITH BRACKET**
- (71) Applicant: **SMC CORPORATION**, Tokyo (JP)
- (72) Inventors: **Shinichi Ito**, Toride (JP); **Makoto Wada**, Tsukuba (JP)
- (73) Assignee: **SMC CORPORATION**, Tokyo (JP)

8,061,385	B2	11/2011	Kaitsuka
D696,097	S	12/2013	Wada et al.
D696,098	S	12/2013	Wada et al.
D696,099	S	12/2013	Wada et al.
D696,100	S	12/2013	Wada et al.
D696,101	S	12/2013	Wada et al.
D712,243	S	9/2014	Raines
2003/0006097	A1	1/2003	Tomita et al.
2014/0084585	A1*	3/2014	Wada ..... F15B 21/048 285/406

(\*\*) Term: **15 Years**

\* cited by examiner

(21) Appl. No.: **29/639,409**

*Primary Examiner* — Lakiya G Rogers

(22) Filed: **Mar. 6, 2018**

*Assistant Examiner* — Harold E Blackwell, II

**Related U.S. Application Data**

(74) *Attorney, Agent, or Firm* — Birch, Stewart, Kolasch & Birch, LLP

(62) Division of application No. 29/534,563, filed on Jul. 29, 2015.

(57) **CLAIM**

(30) **Foreign Application Priority Data**

The ornamental design for a spacer with bracket, as shown and described.

Feb. 6, 2015 (CN) ..... 2015 3 0036893

(51) **LOC (11) Cl.** ..... **08-05**

**DESCRIPTION**

(52) **U.S. Cl.**  
USPC ..... **D8/354**

(58) **Field of Classification Search**  
USPC ..... D8/354, 349, 355, 356, 363, 373, 380,  
D8/382, 396, 499; D23/359–269, 235,  
D23/249  
CPC ..... F16L 17/06; F16L 23/12  
See application file for complete search history.

FIG. 1 is a front, top and left side perspective view of a spacer with bracket showing our new design;  
FIG. 2 is a rear, top and right side perspective view thereof;  
FIG. 3 is a front view thereof;  
FIG. 4 is a rear view thereof;  
FIG. 5 is a top plan view thereof;  
FIG. 6 is a bottom plan view thereof;  
FIG. 7 is a left side view thereof; and,  
FIG. 8 is a right side view thereof.

(56) **References Cited**

The broken lines depict portions of the spacer with bracket that form no part of the claimed design.

**U.S. PATENT DOCUMENTS**

5,372,392	A	12/1994	Dunn et al.
D531,890	S	11/2006	Bentrim

**1 Claim, 8 Drawing Sheets**

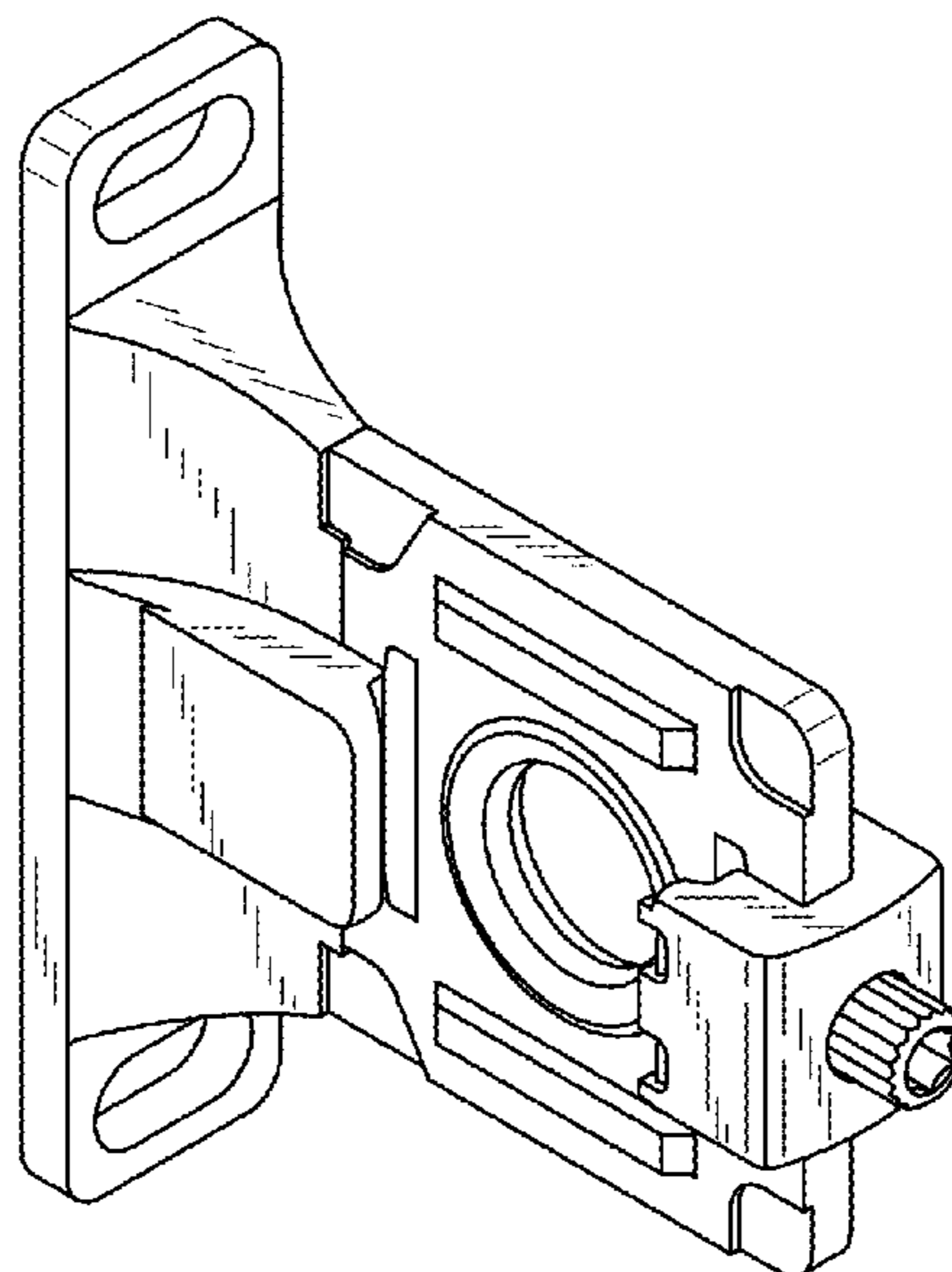


FIG. 1

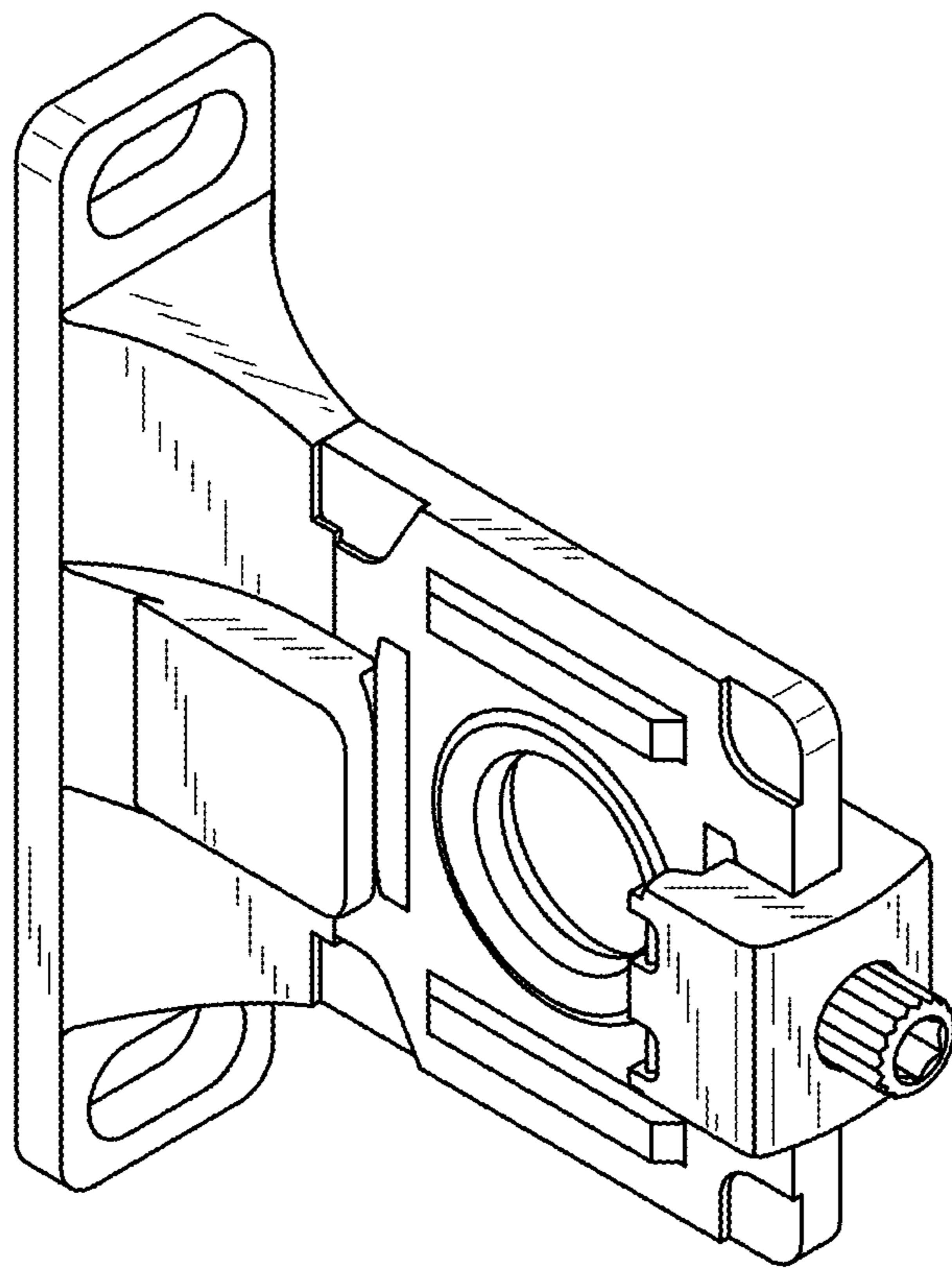


FIG. 2

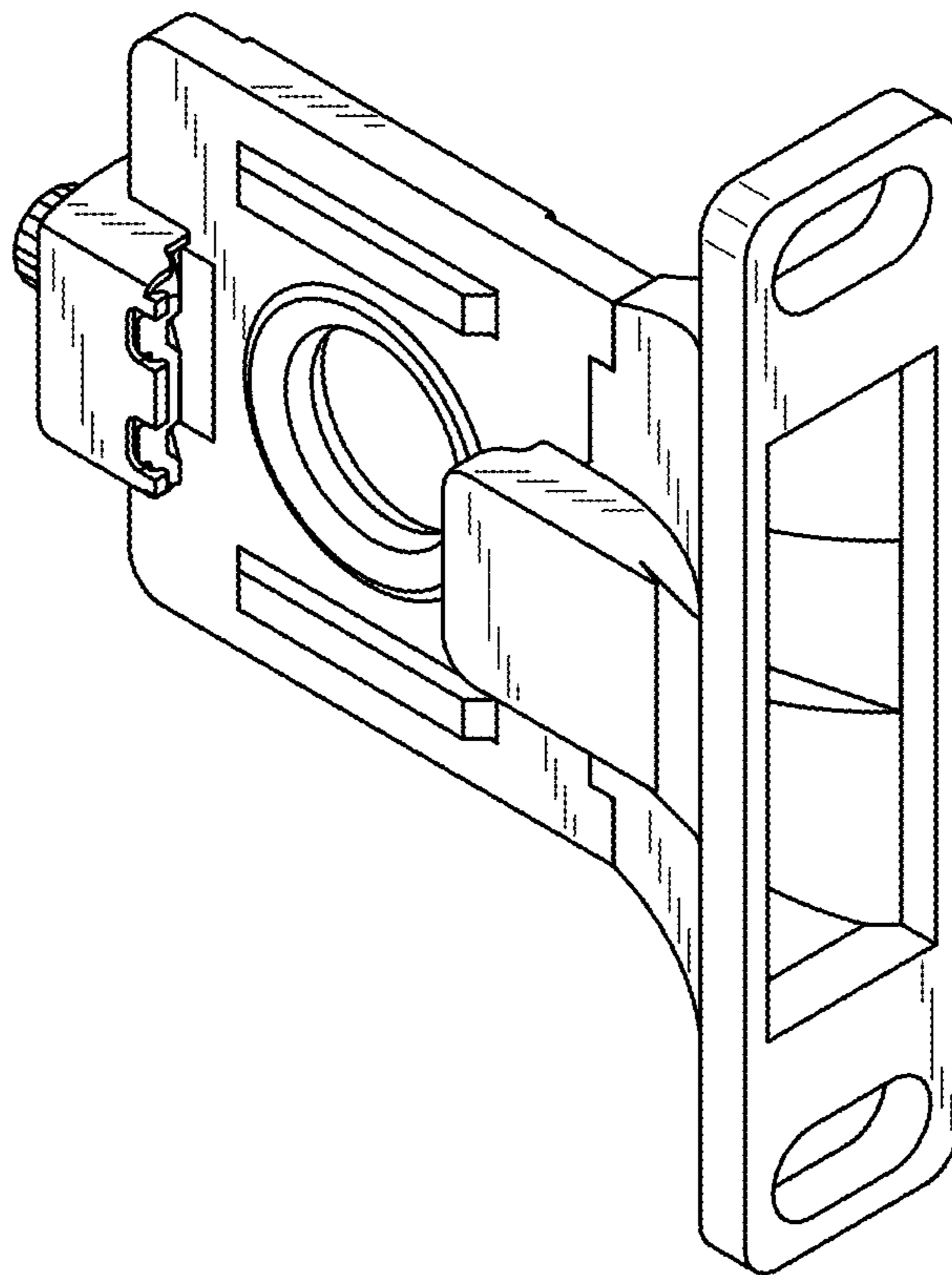


FIG. 3

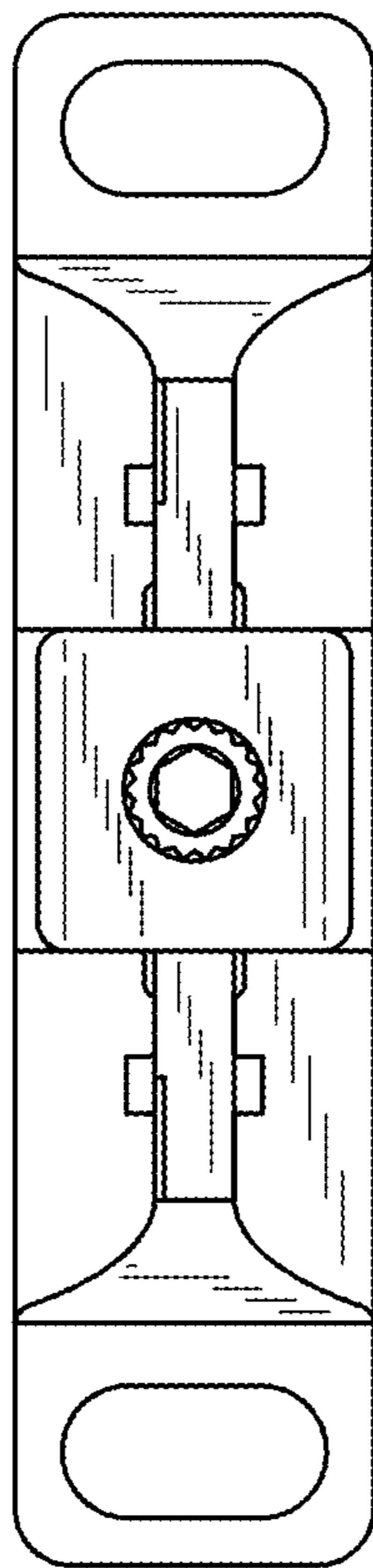


FIG. 4

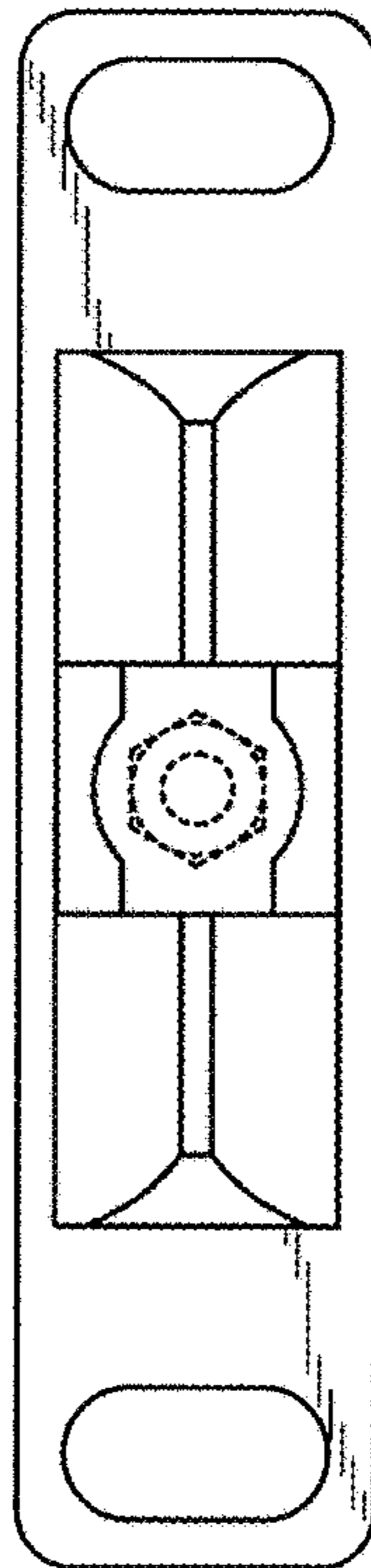


FIG. 5

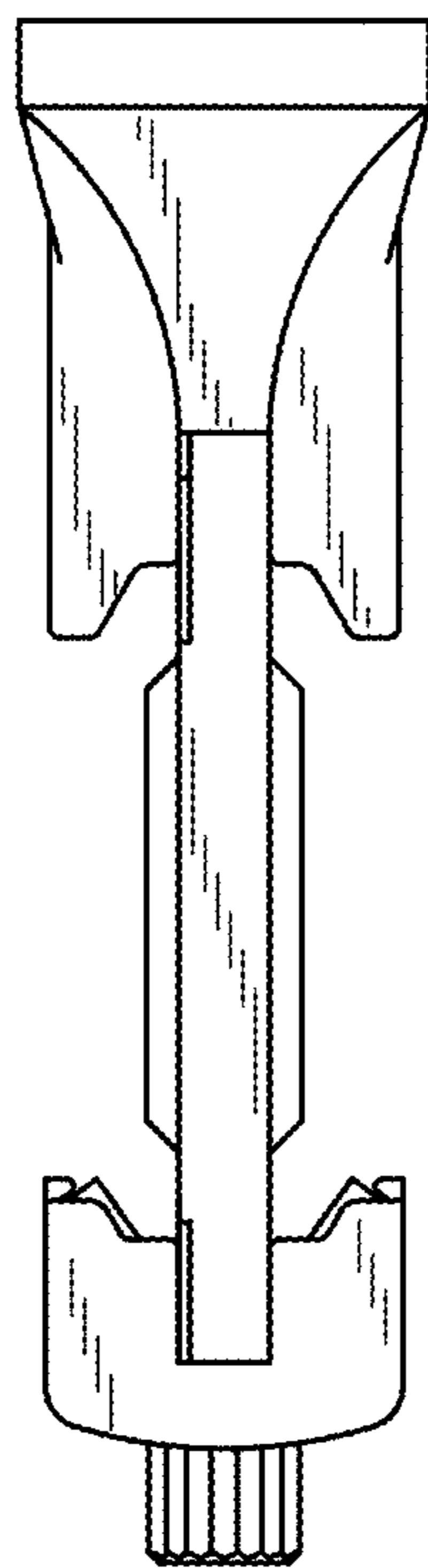


FIG. 6

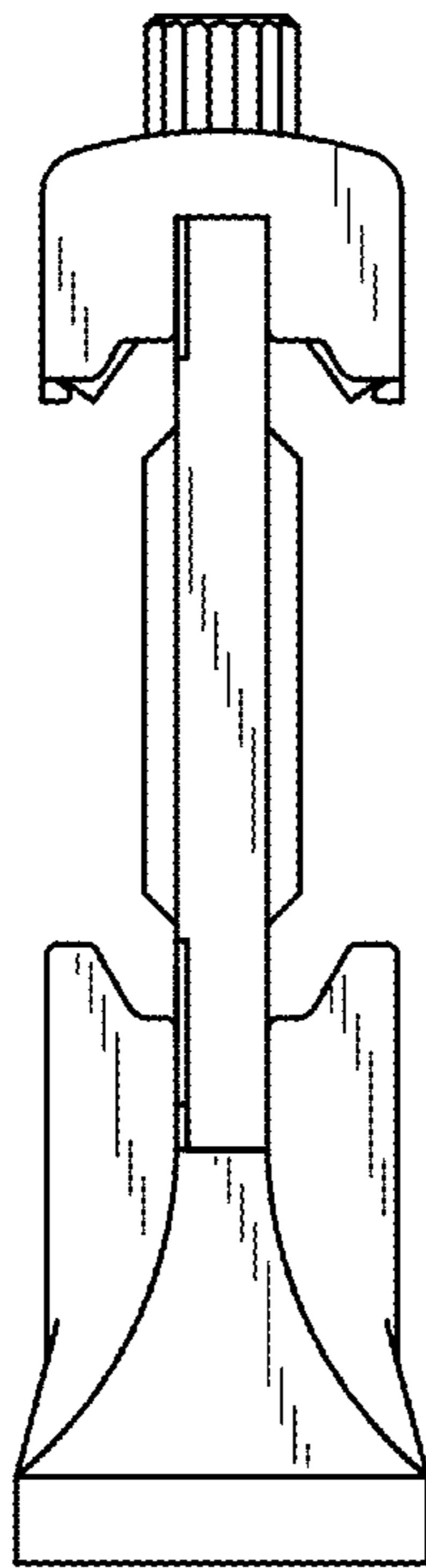


FIG. 7

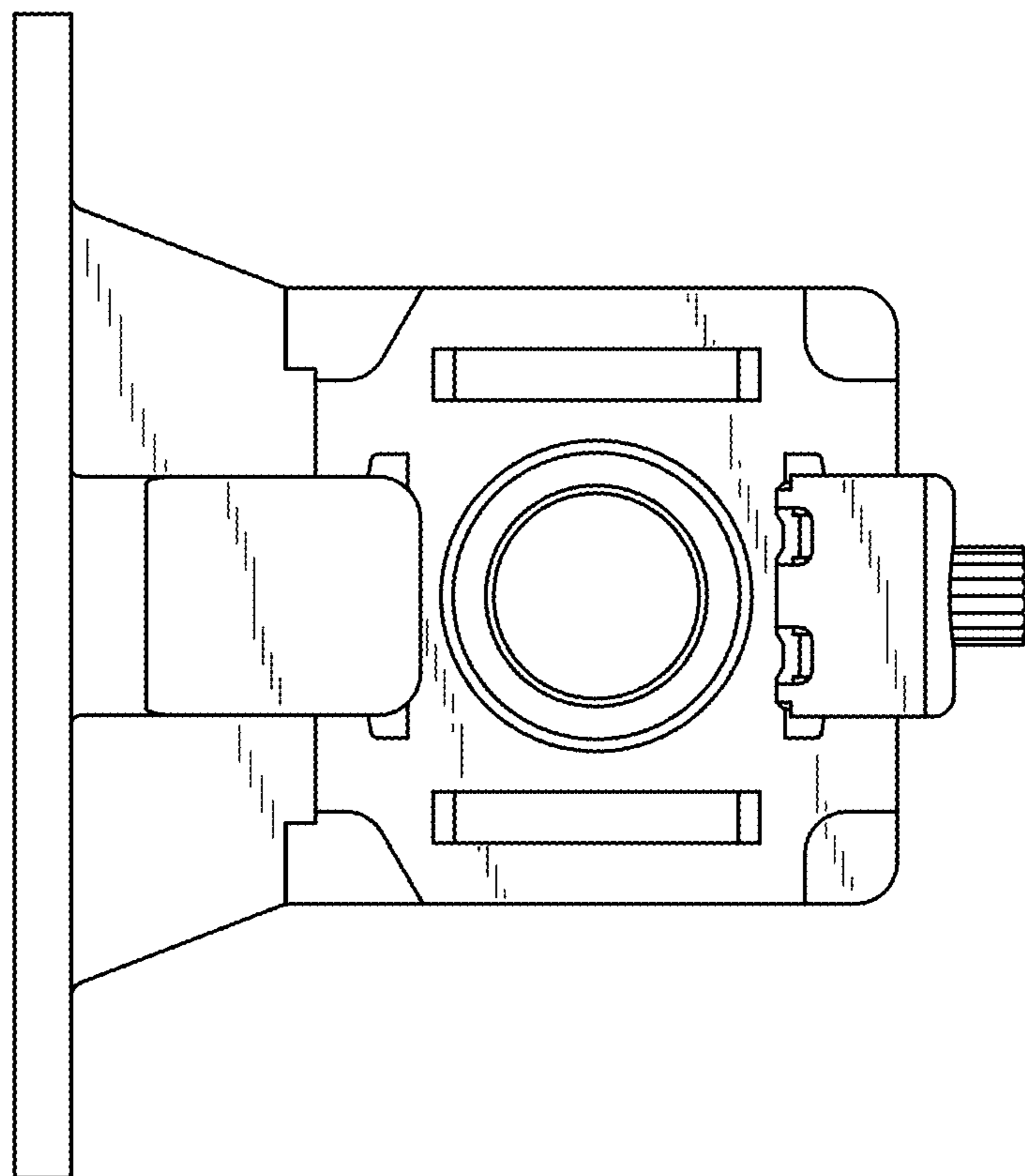




FIG. 8

