



US00D841437S

(12) **United States Design Patent**
Ito et al.

(10) **Patent No.:** **US D841,437 S**
(45) **Date of Patent:** **** Feb. 26, 2019**

- (54) **SPACER WITH BRACKET**
- (71) Applicant: **SMC CORPORATION**, Tokyo (JP)
- (72) Inventors: **Shinichi Ito**, Toride (JP); **Makoto Wada**, Tsukuba (JP)
- (73) Assignee: **SMC CORPORATION**, Tokyo (JP)
- (**) Term: **15 Years**
- (21) Appl. No.: **29/639,401**
- (22) Filed: **Mar. 6, 2018**

D696,100 S 12/2013 Wada et al.
 D696,101 S 12/2013 Wada et al.
 D712,243 S 9/2014 Raines
 2003/0006097 A1 1/2003 Tomita et al.

(Continued)

Primary Examiner — Lakiya G Rogers
Assistant Examiner — Harold E Blackwell, II
 (74) *Attorney, Agent, or Firm* — Birch, Stewart, Kolasch & Birch, LLP

(57) **CLAIM**

The ornamental design for a spacer with bracket, as shown and described.

DESCRIPTION

FIG. 1 is a front, top and left side perspective view of a spacer with bracket showing a first embodiment of our new design;
 FIG. 2 is a rear, top and right side perspective view thereof;
 FIG. 3 is a front view thereof;
 FIG. 4 is a rear view thereof;
 FIG. 5 is a top plan view thereof;
 FIG. 6 is a bottom plan view thereof;
 FIG. 7 is a left side view thereof;
 FIG. 8 is a right side view thereof;
 FIG. 9 is a front, top and left side perspective view of a spacer with bracket showing a second embodiment of our new design;
 FIG. 10 is a rear, top and right side perspective view of FIG. 9;
 FIG. 11 is a front view of FIG. 9;
 FIG. 12 is a rear view of FIG. 9;
 FIG. 13 is a top plan view of FIG. 9;
 FIG. 14 is a bottom plan view of FIG. 9;
 FIG. 15 is a left side view of FIG. 9; and,
 FIG. 16 is a right side view of FIG. 9.
 The broken lines depict portions of the spacer with bracket that form no part of the claimed design.

Related U.S. Application Data

- (62) Division of application No. 29/534,563, filed on Jul. 29, 2015.

(30) **Foreign Application Priority Data**

Feb. 6, 2015 (CN) 2015 3 0036893

- (51) **LOC (11) Cl.** **08-05**

- (52) **U.S. Cl.**
USPC **D8/354**

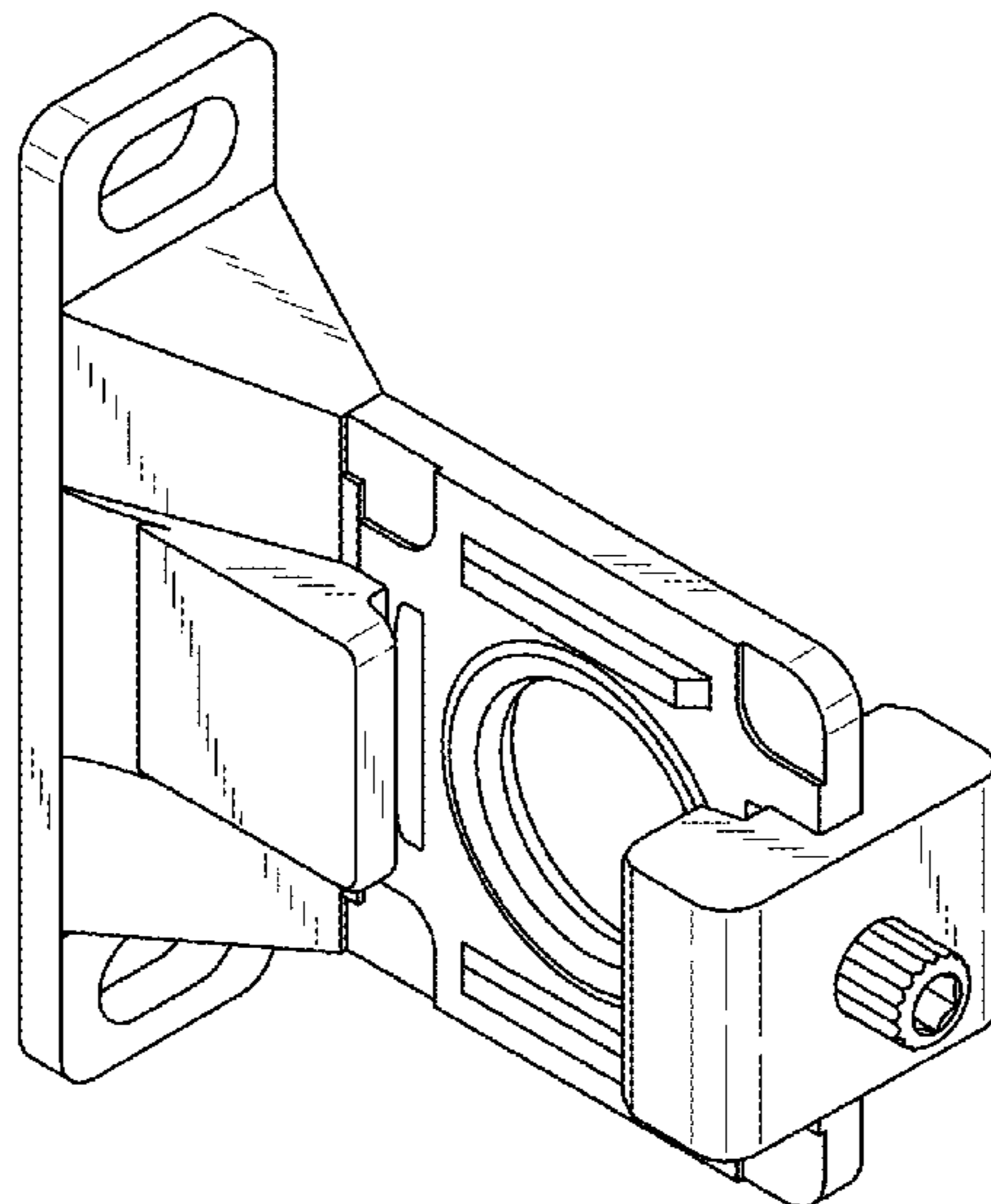
- (58) **Field of Classification Search**
USPC D8/354, 349, 355, 356, 363, 373, 380,
D8/382, 396, 499; D23/359–269, 235,
D23/249
CPC F16L 17/06; F16L 23/12
See application file for complete search history.

(56) **References Cited**

U.S. PATENT DOCUMENTS

- 5,372,392 A 12/1994 Dunn et al.
- D531,890 S 11/2006 Bentrin
- 8,061,385 B2 11/2011 Kaitsuka
- D696,097 S 12/2013 Wada et al.
- D696,098 S 12/2013 Wada et al.
- D696,099 S 12/2013 Wada et al.

1 Claim, 16 Drawing Sheets



(56)

References Cited

U.S. PATENT DOCUMENTS

2014/0084585 A1* 3/2014 Wada F15B 21/048
285/406

* cited by examiner

FIG. 1

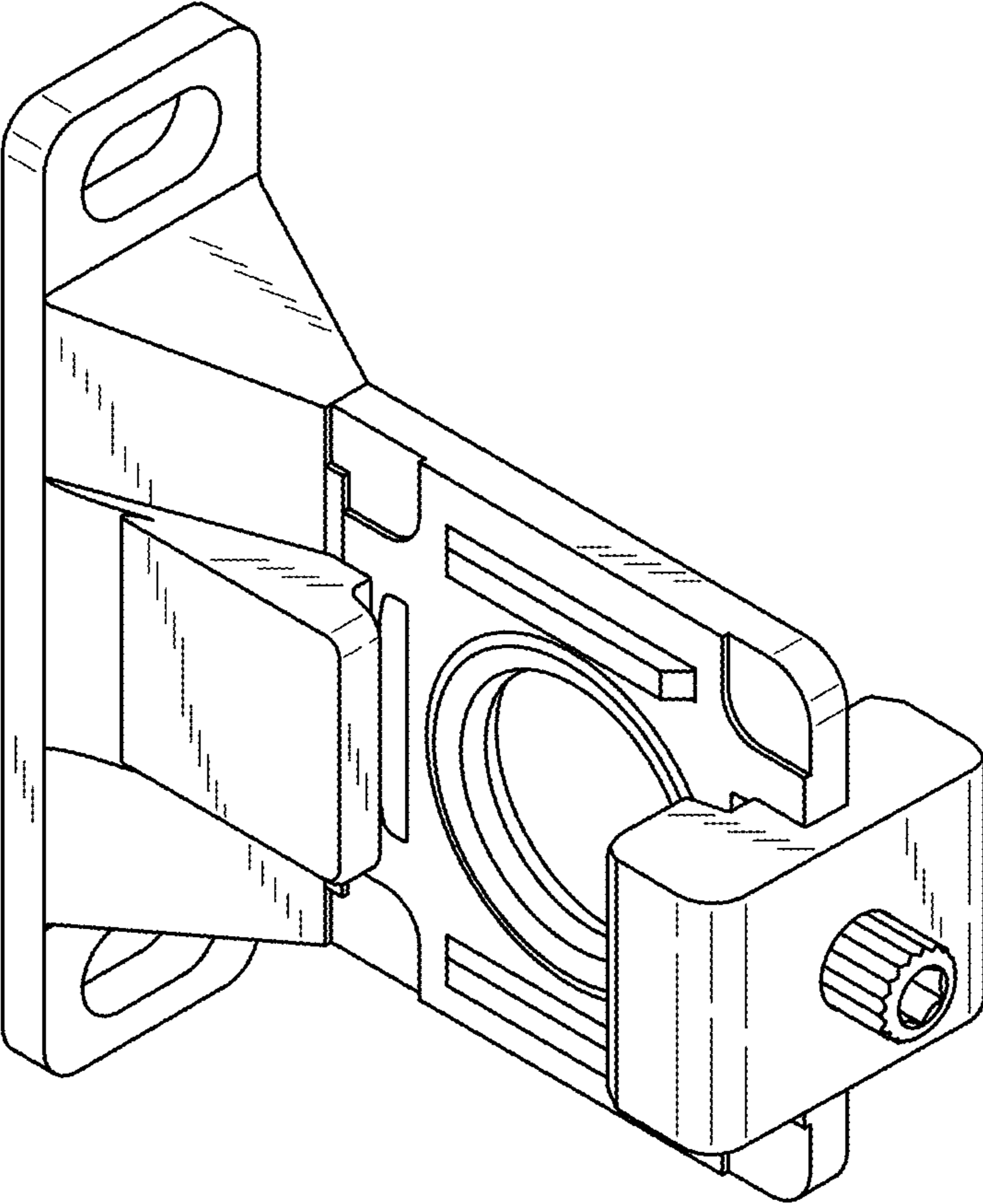


FIG. 2

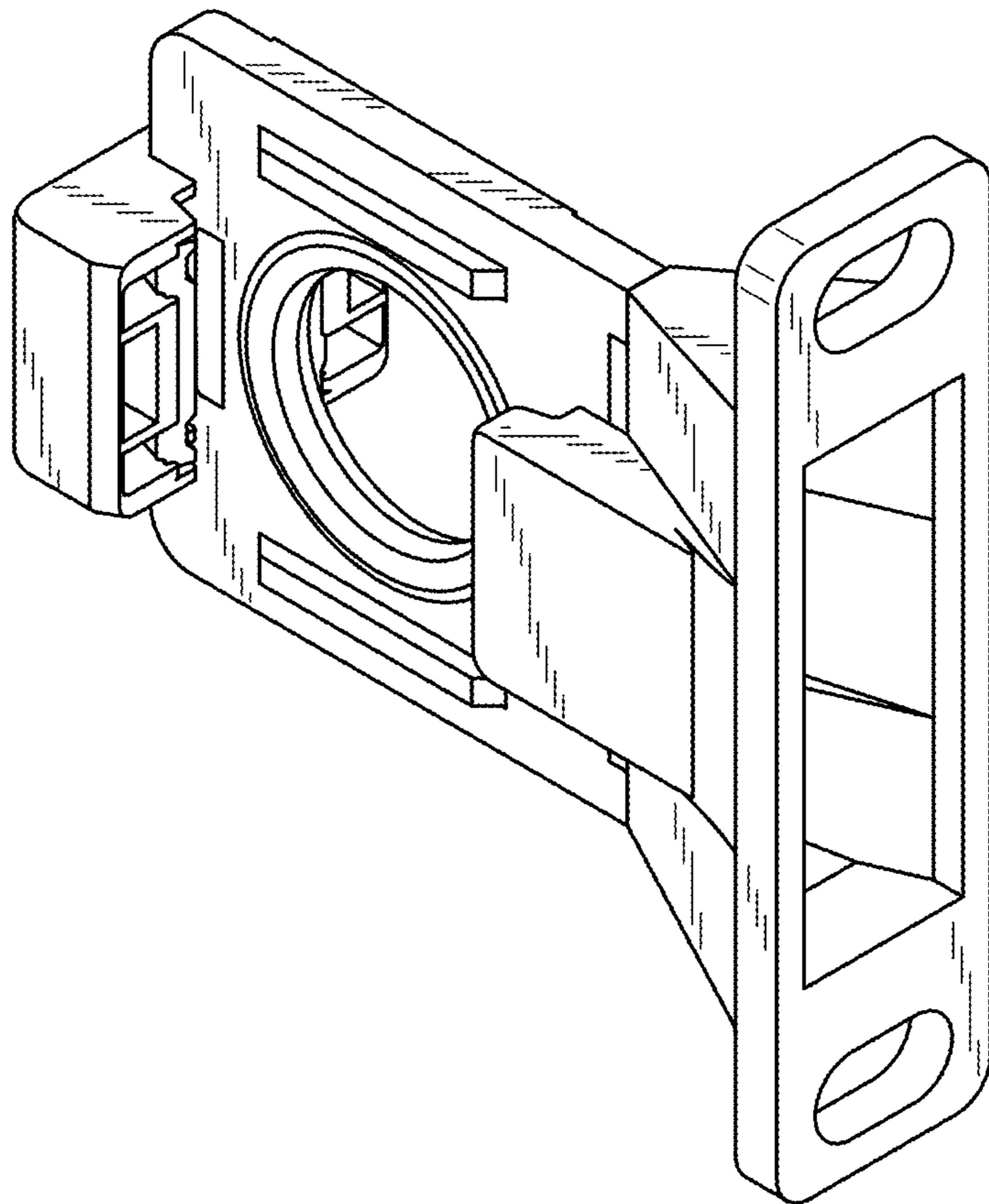


FIG. 3

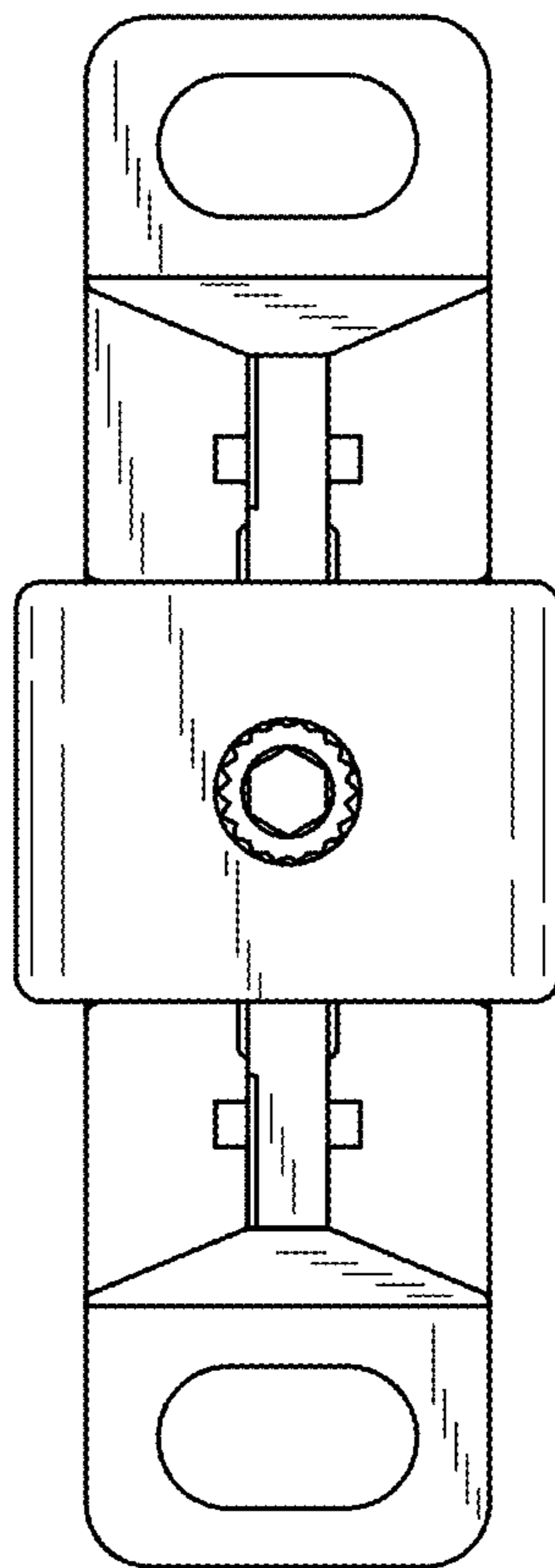


FIG. 4

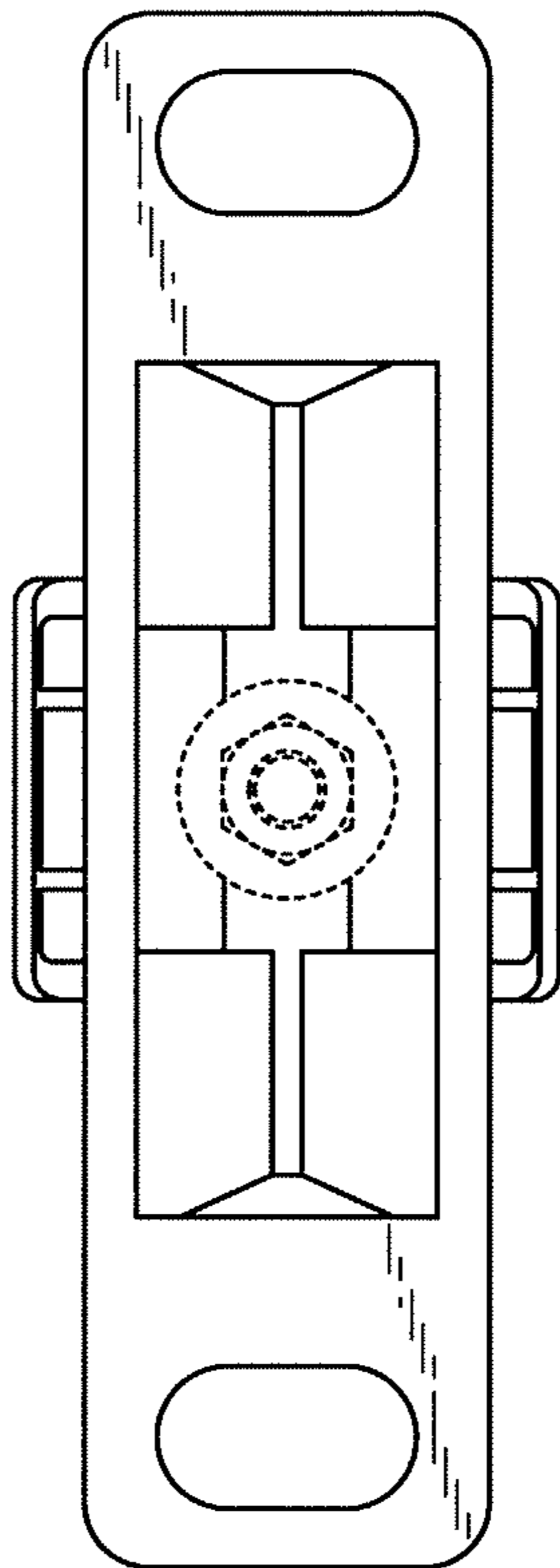


FIG. 5

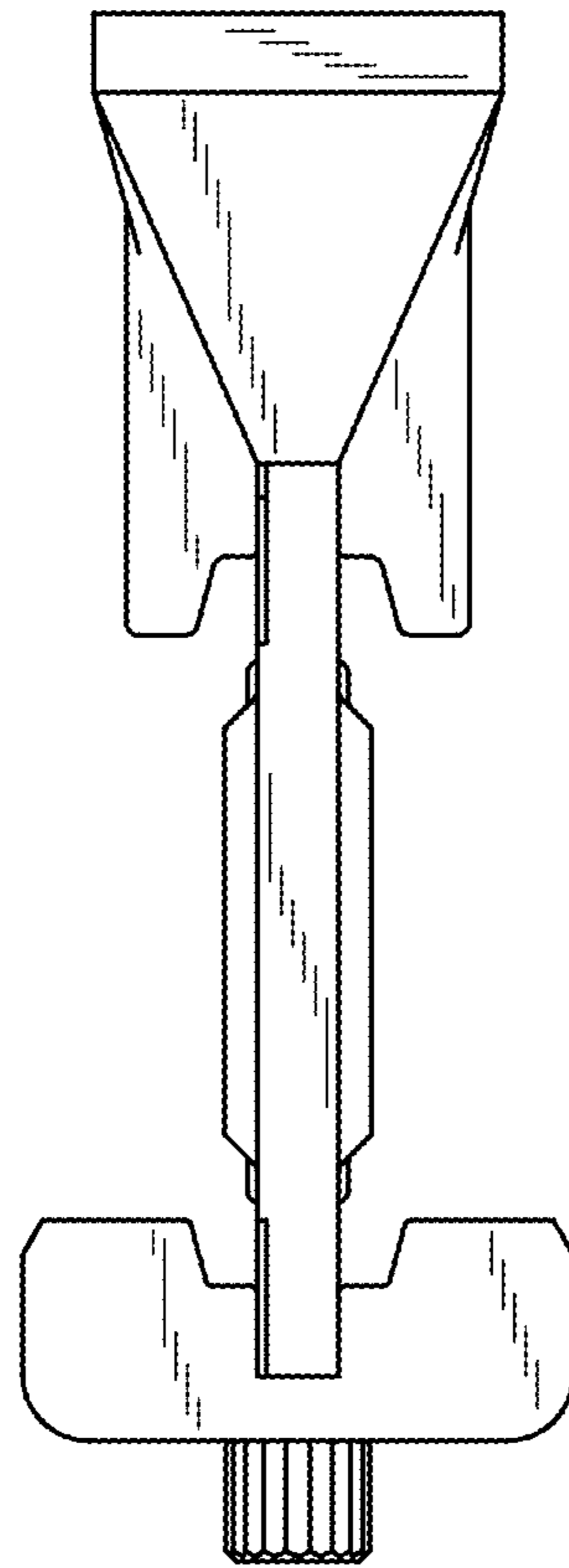


FIG. 6

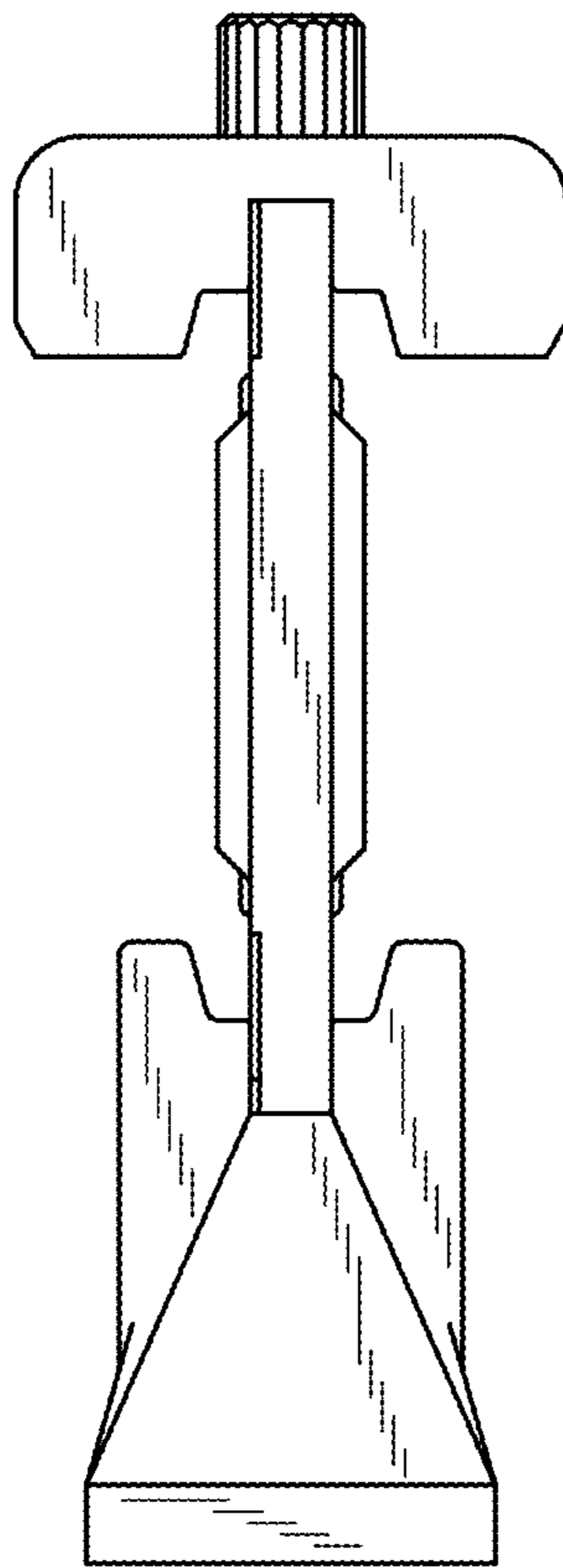


FIG. 7

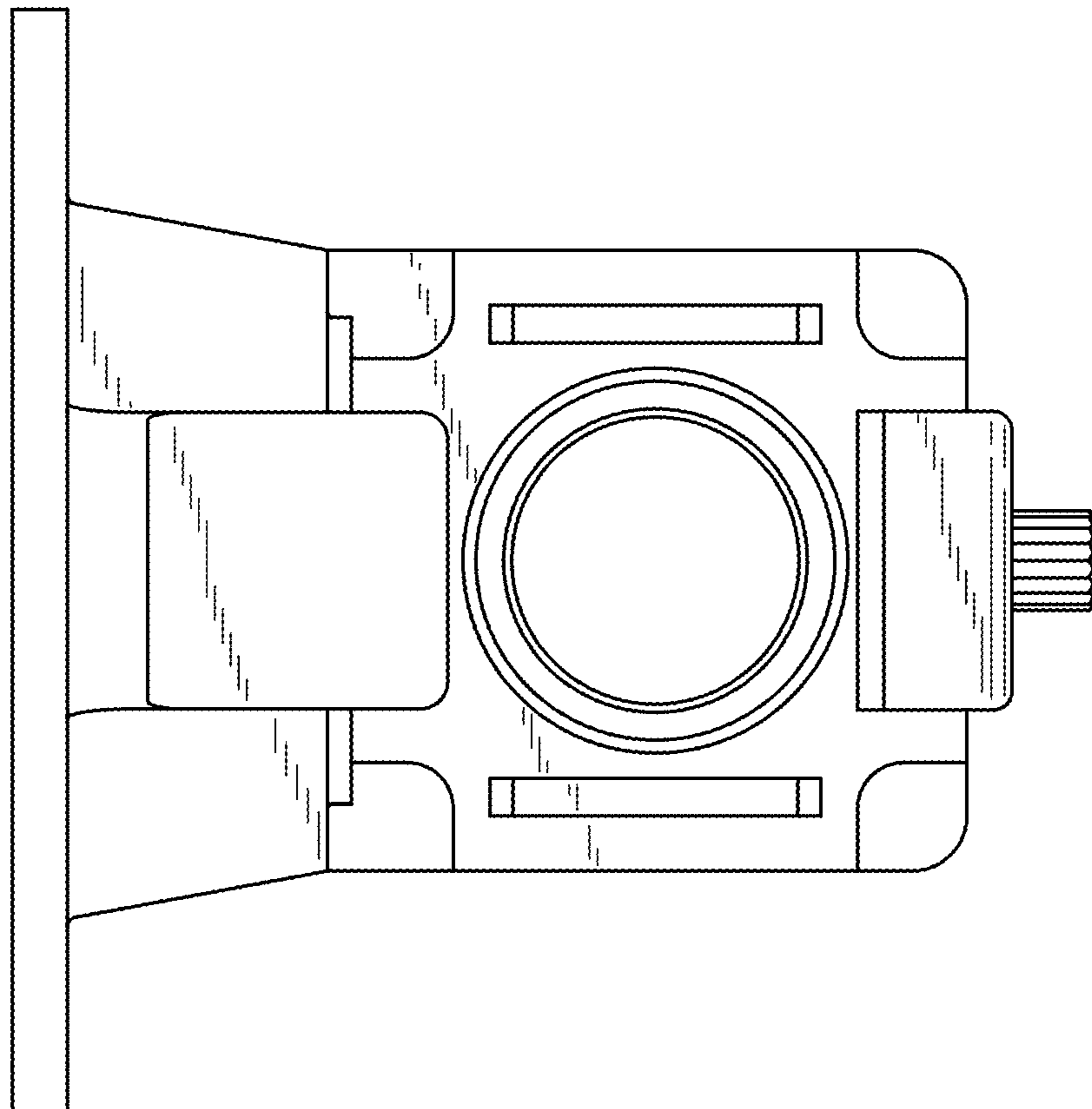


FIG. 8

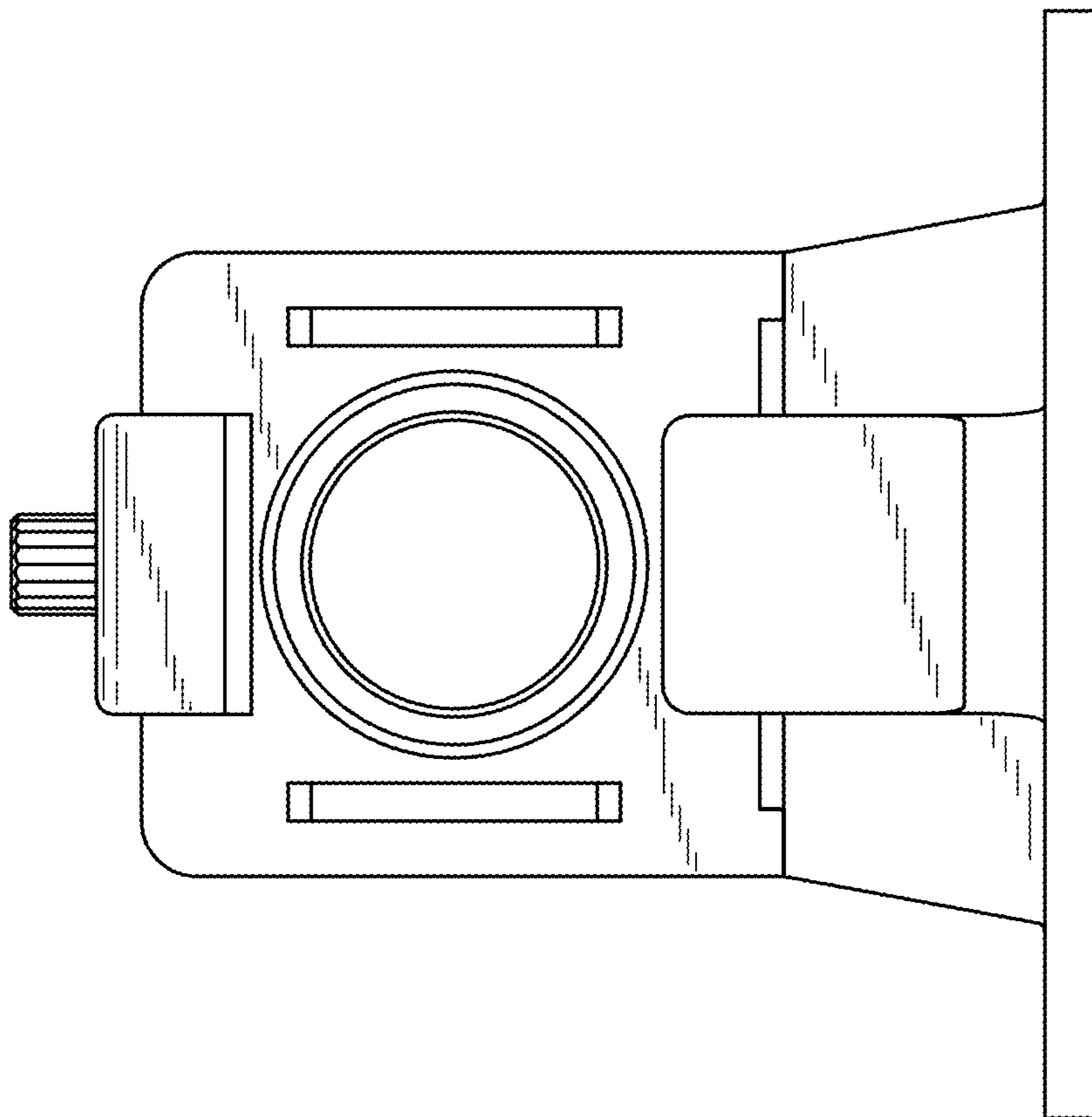


FIG. 9

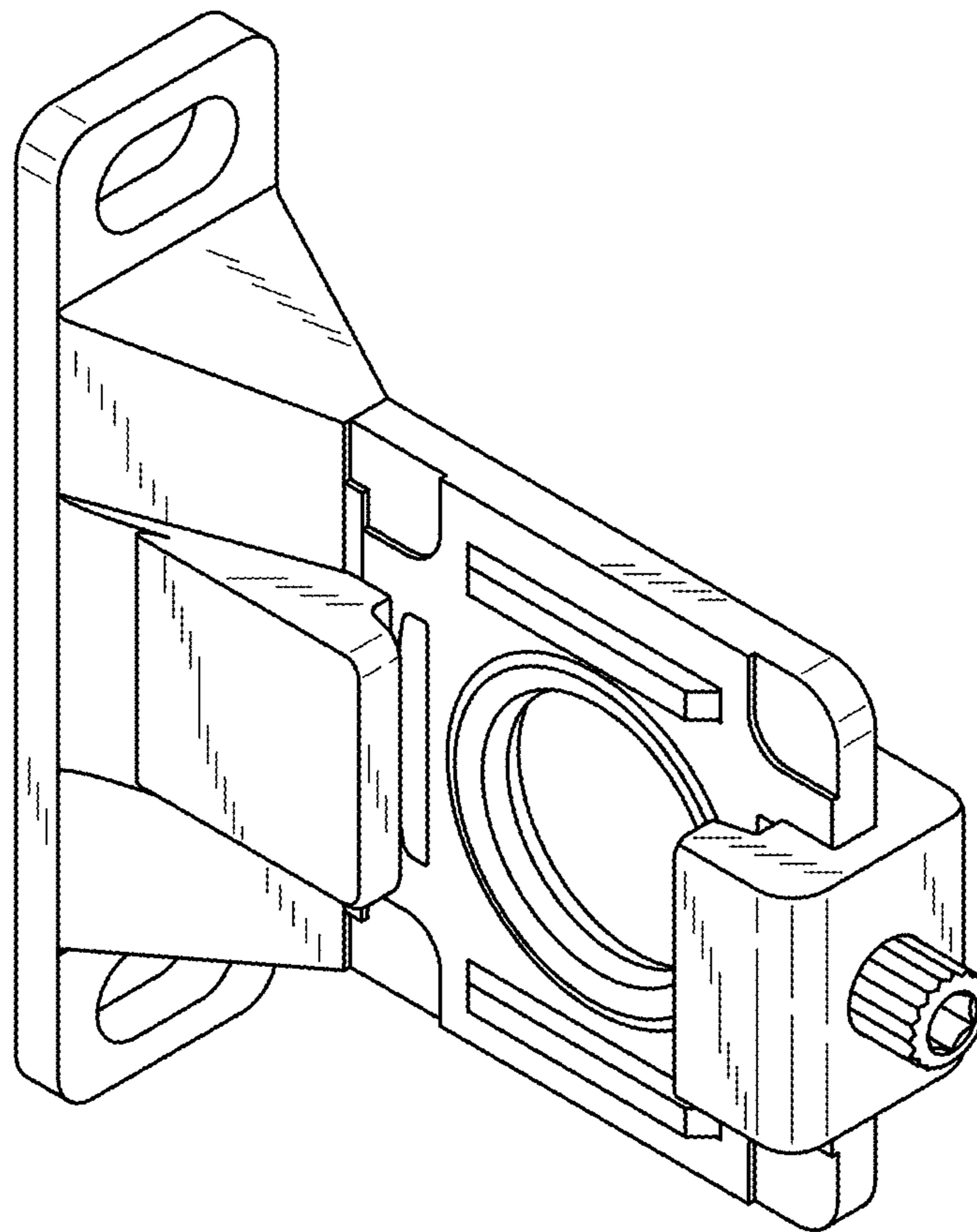


FIG. 10

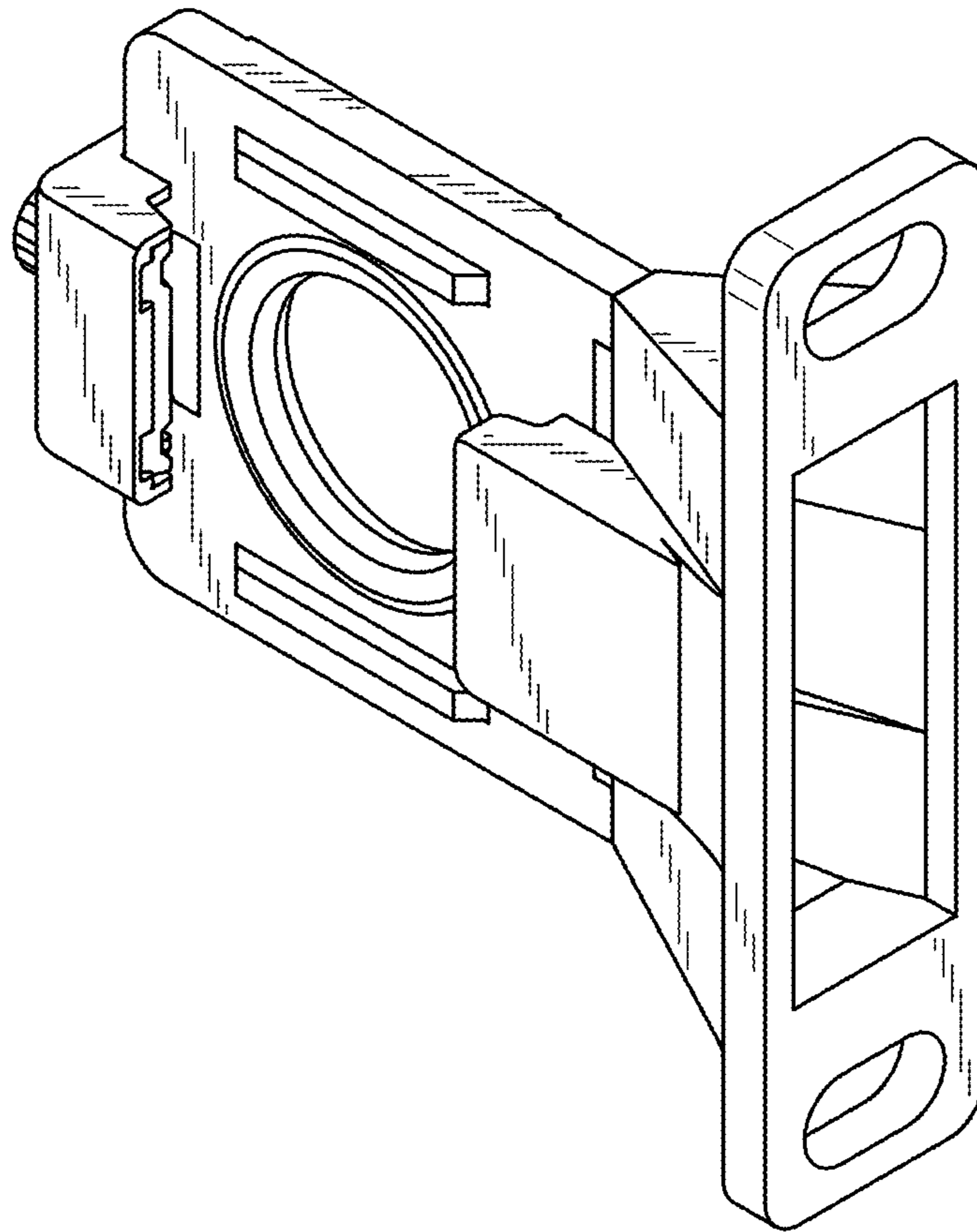


FIG. 11

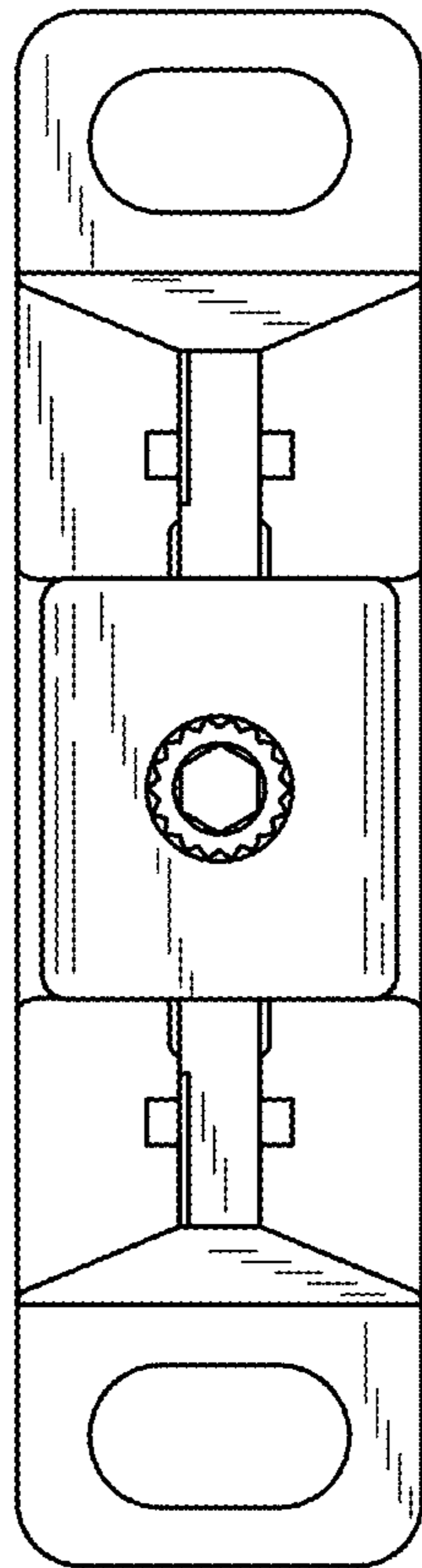


FIG. 12

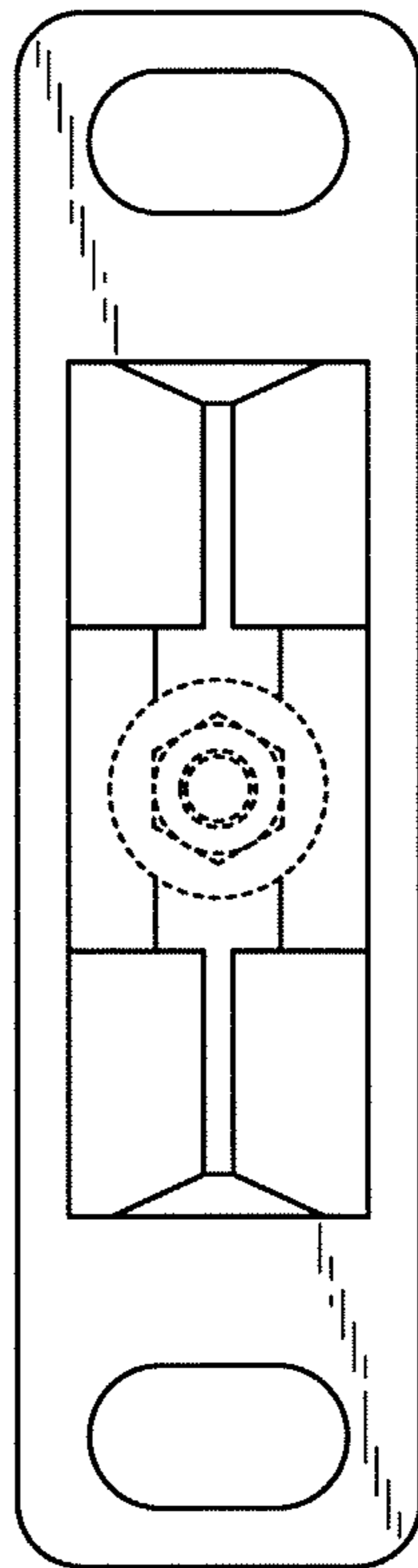


FIG. 13

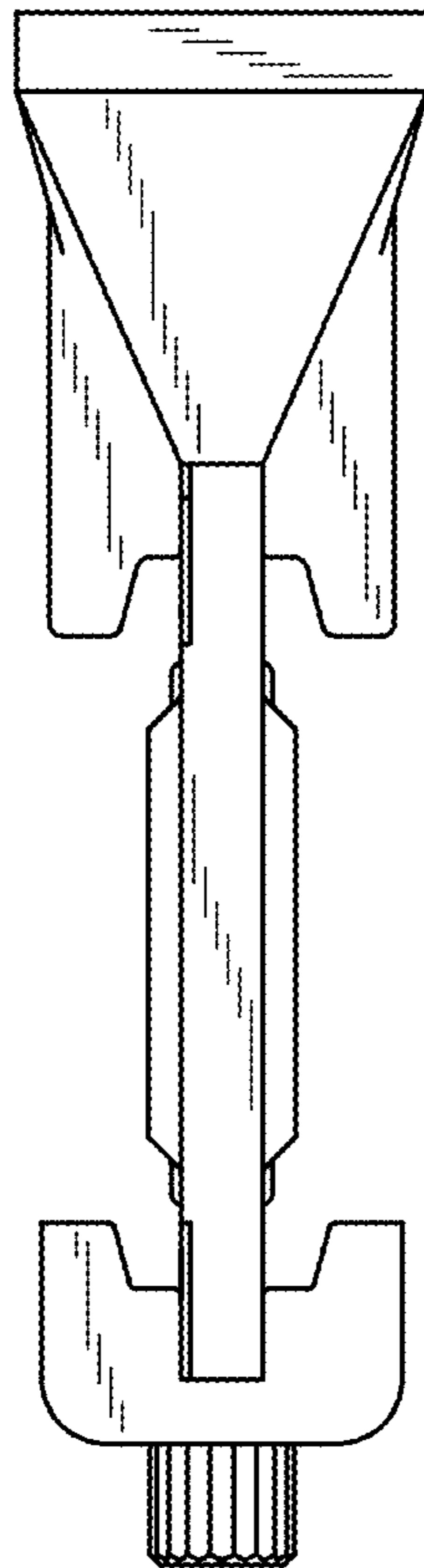


FIG. 14

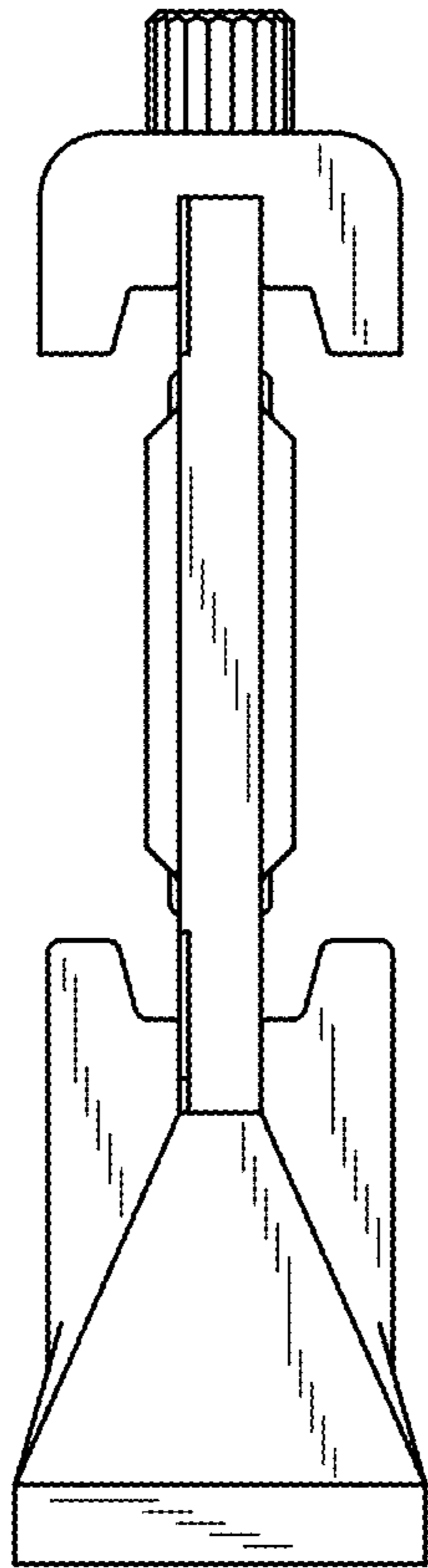


FIG. 15

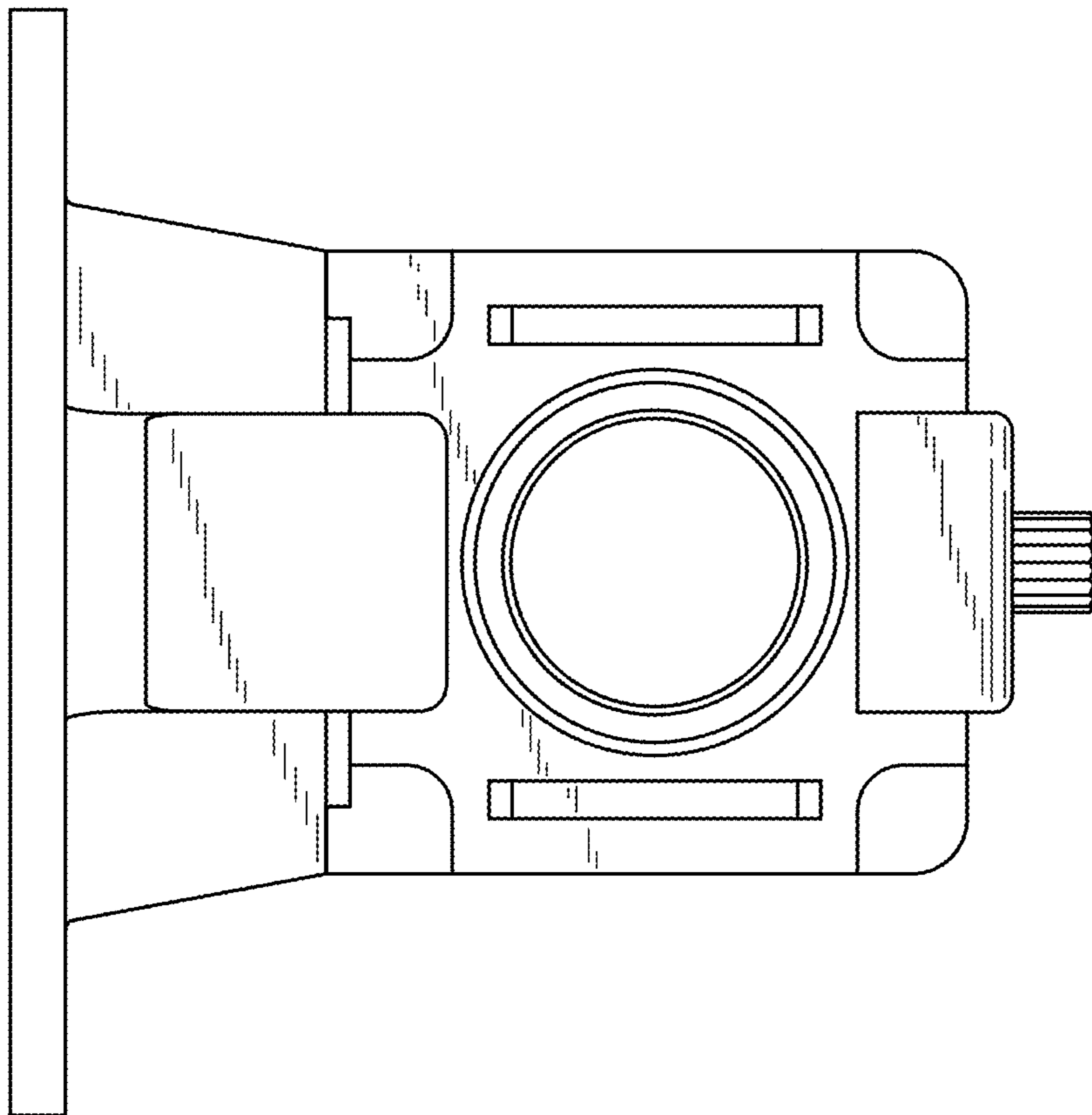


FIG. 16

