



US00D841435S

(12) **United States Design Patent**
Domeck

(10) **Patent No.:** **US D841,435 S**

(45) **Date of Patent:** **** Feb. 26, 2019**

(54) **SUPPORT BRACKET**

(71) Applicant: **Todd Domeck**, Lahaina, HI (US)

(72) Inventor: **Todd Domeck**, Lahaina, HI (US)

(**) Term: **15 Years**

(21) Appl. No.: **29/635,324**

(22) Filed: **Jan. 30, 2018**

(51) **LOC (11) Cl.** **08-05**

(52) **U.S. Cl.**
USPC **D8/354**

(58) **Field of Classification Search**
USPC D8/373, 354, 382, 380, 349; D25/5, 6,
D25/120, 121, 199
CPC . E04B 2/00; F16M 2200/065; F16M 2200/06
See application file for complete search history.

(56) **References Cited**

U.S. PATENT DOCUMENTS

- 3,486,278 A * 12/1969 Woods E04B 1/3211
403/172
- 3,857,212 A * 12/1974 Barnett E04B 1/3211
403/172
- D587,559 S * 3/2009 Jones D8/349
- D630,930 S * 1/2011 Jones D8/349
- D658,040 S * 4/2012 Ghatikar D8/354

- D672,287 S * 12/2012 Noble D12/159
- D673,960 S * 1/2013 Lindfield D14/447
- D700,834 S * 3/2014 Fievet D8/382
- D710,969 S * 8/2014 Bradford D23/209
- D721,573 S * 1/2015 Fievet D8/382
- D748,617 S * 2/2016 Zucker D14/253
- D799,311 S * 10/2017 Mamie D8/382
- D829,086 S * 9/2018 Hynek D8/382

* cited by examiner

Primary Examiner — Lakiya G Rogers

Assistant Examiner — Harold E Blackwell, II

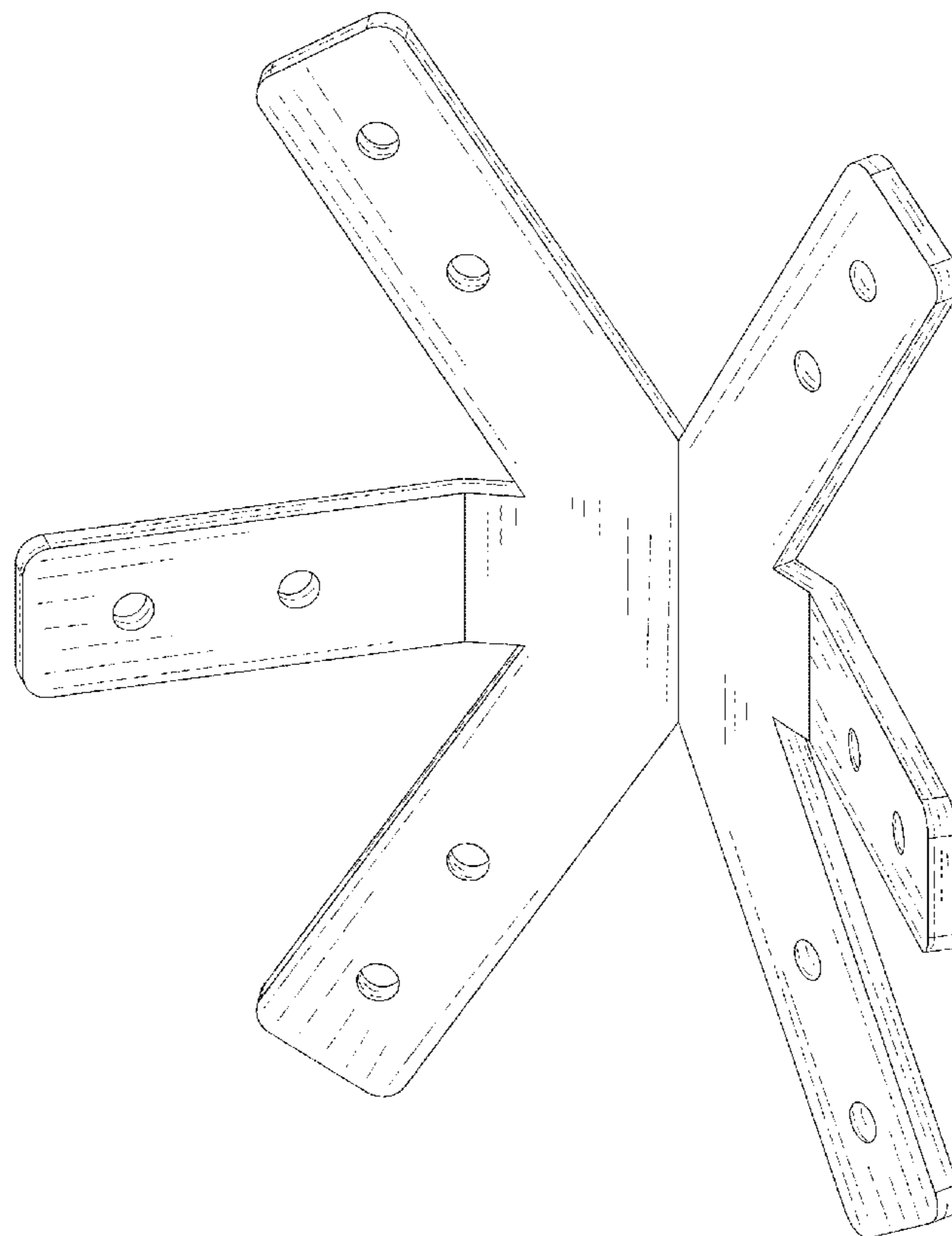
(57) **CLAIM**

The ornamental design for a support bracket, as shown and described.

DESCRIPTION

FIG. 1 is a front top-right perspective view of a support bracket;
 FIG. 2 is a rear bottom-right perspective view thereof;
 FIG. 3 is a front top-left perspective view thereof;
 FIG. 4 is a rear bottom-left perspective view thereof;
 FIG. 5 is a front elevational view thereof;
 FIG. 6 is a rear elevational view thereof;
 FIG. 7 is a right side elevational view thereof;
 FIG. 8 is a left side elevational view thereof;
 FIG. 9 is a top plan view thereof; and,
 FIG. 10 is a bottom plan view thereof.

1 Claim, 10 Drawing Sheets



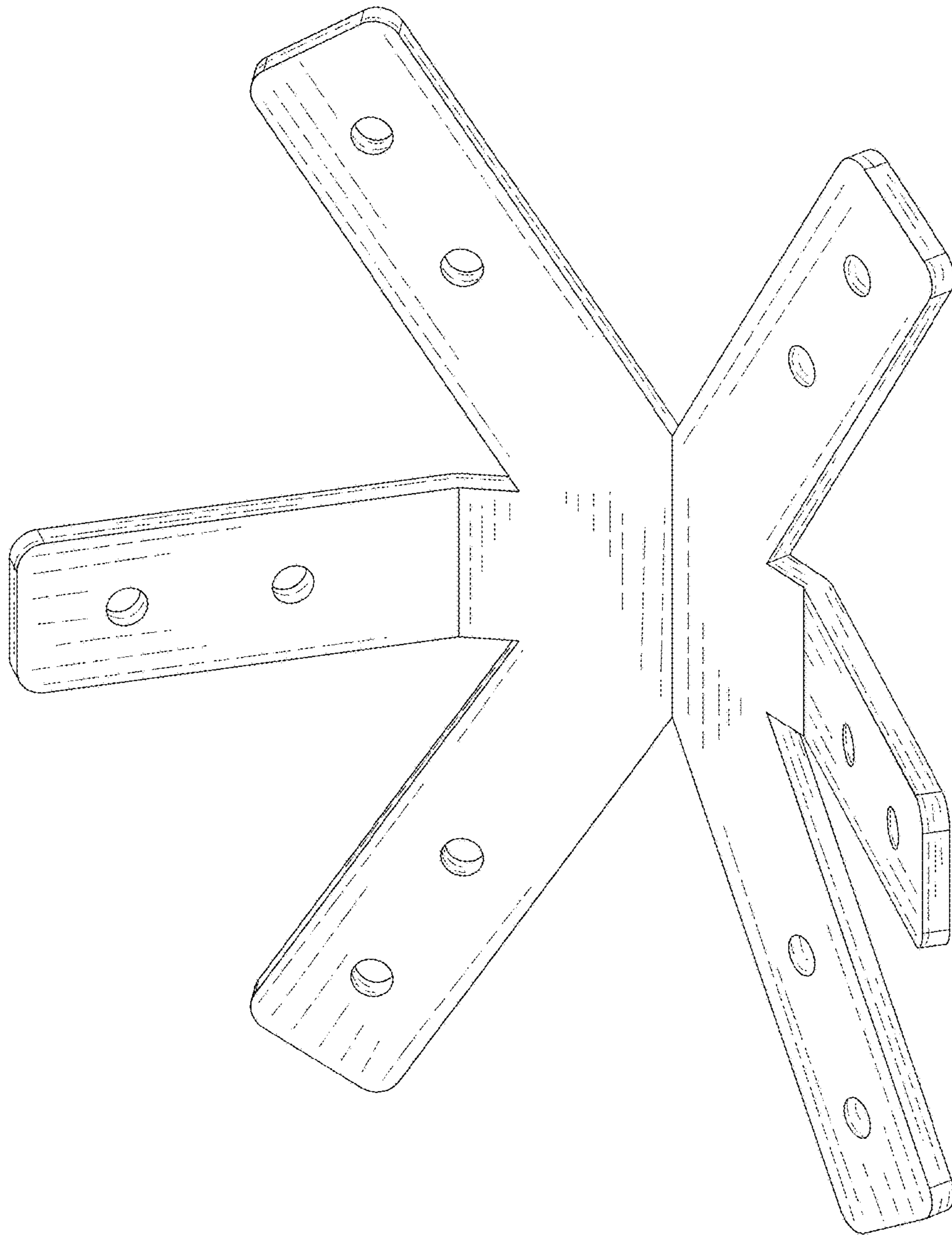


FIG. 1

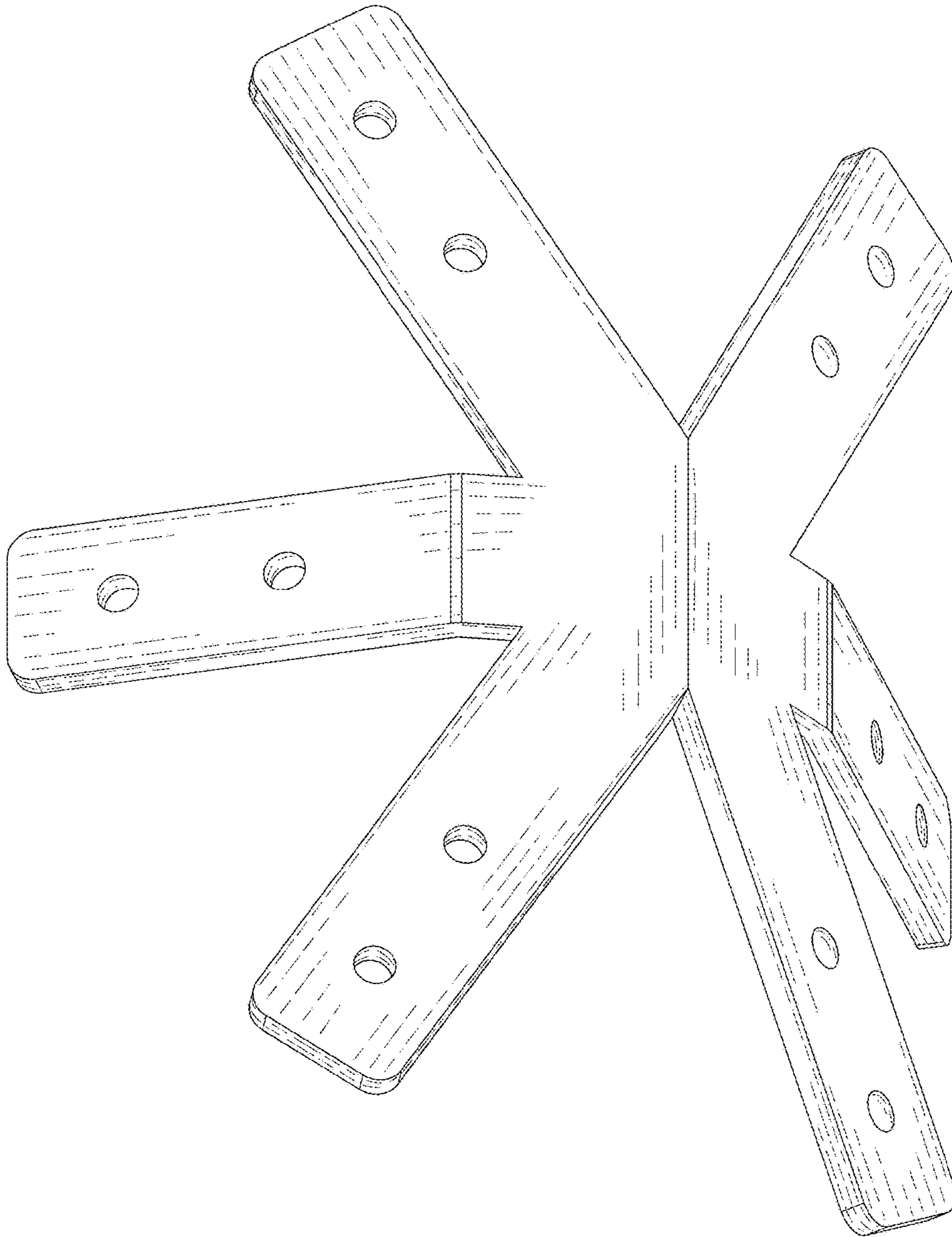


FIG. 2

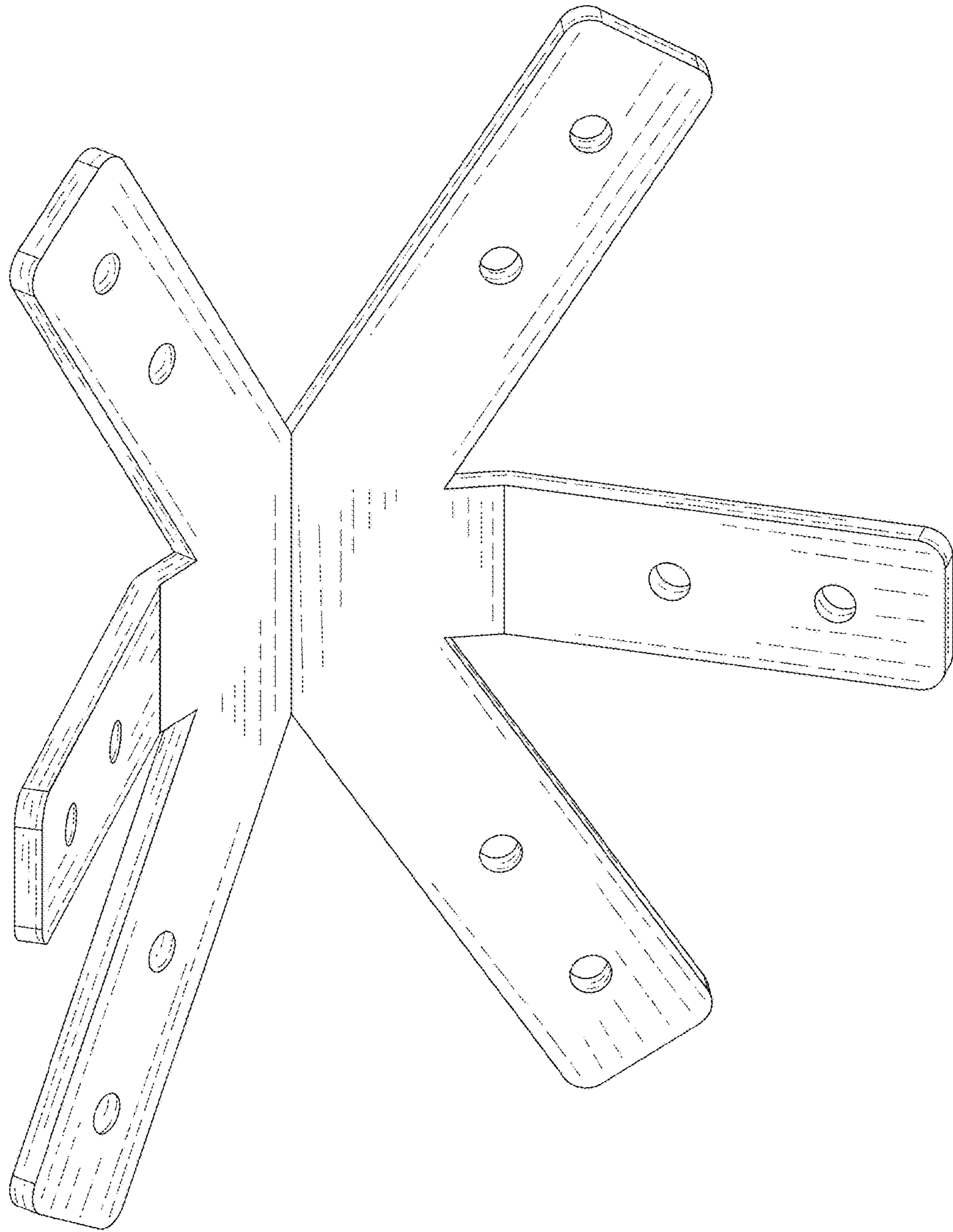


FIG. 3

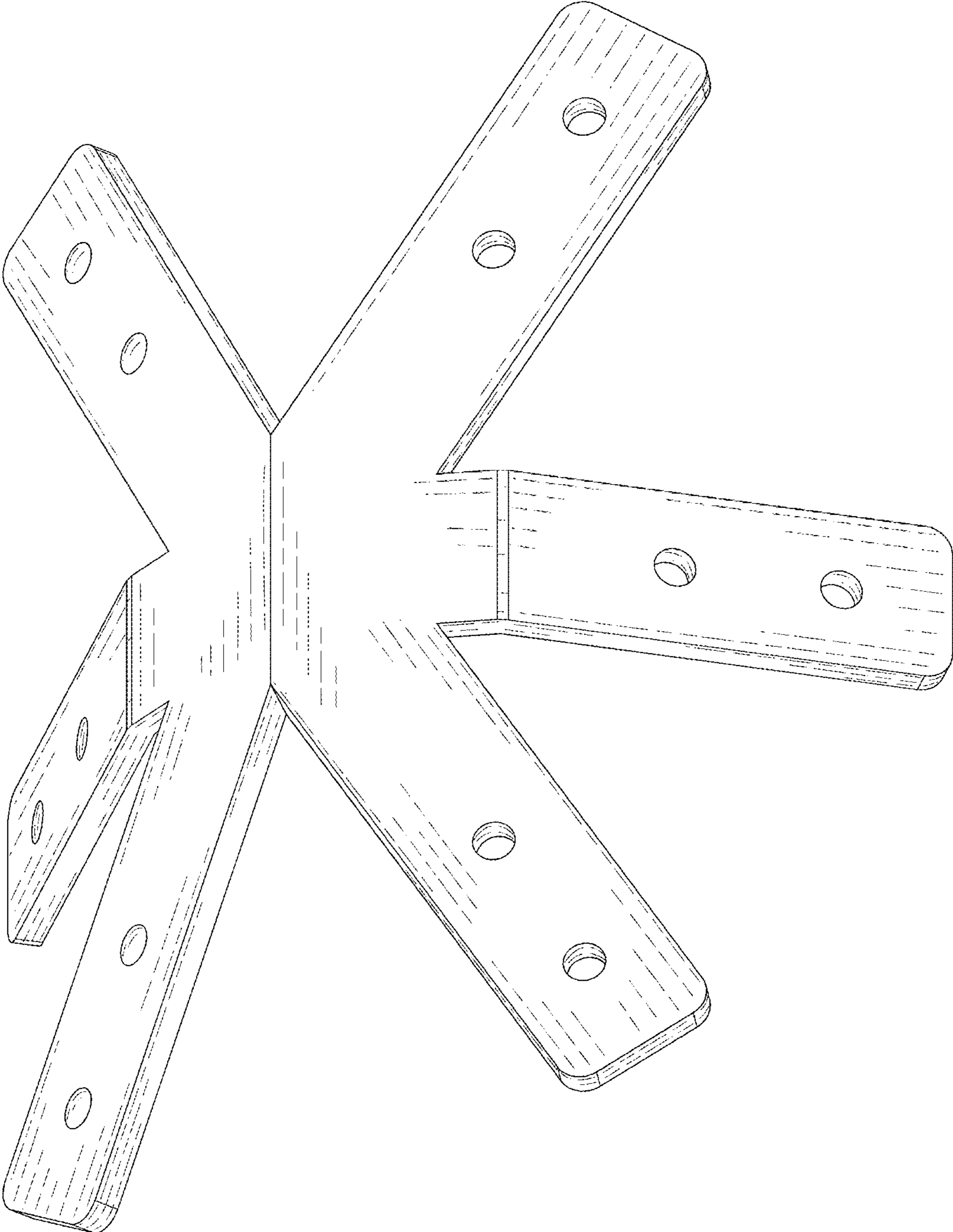


FIG. 4

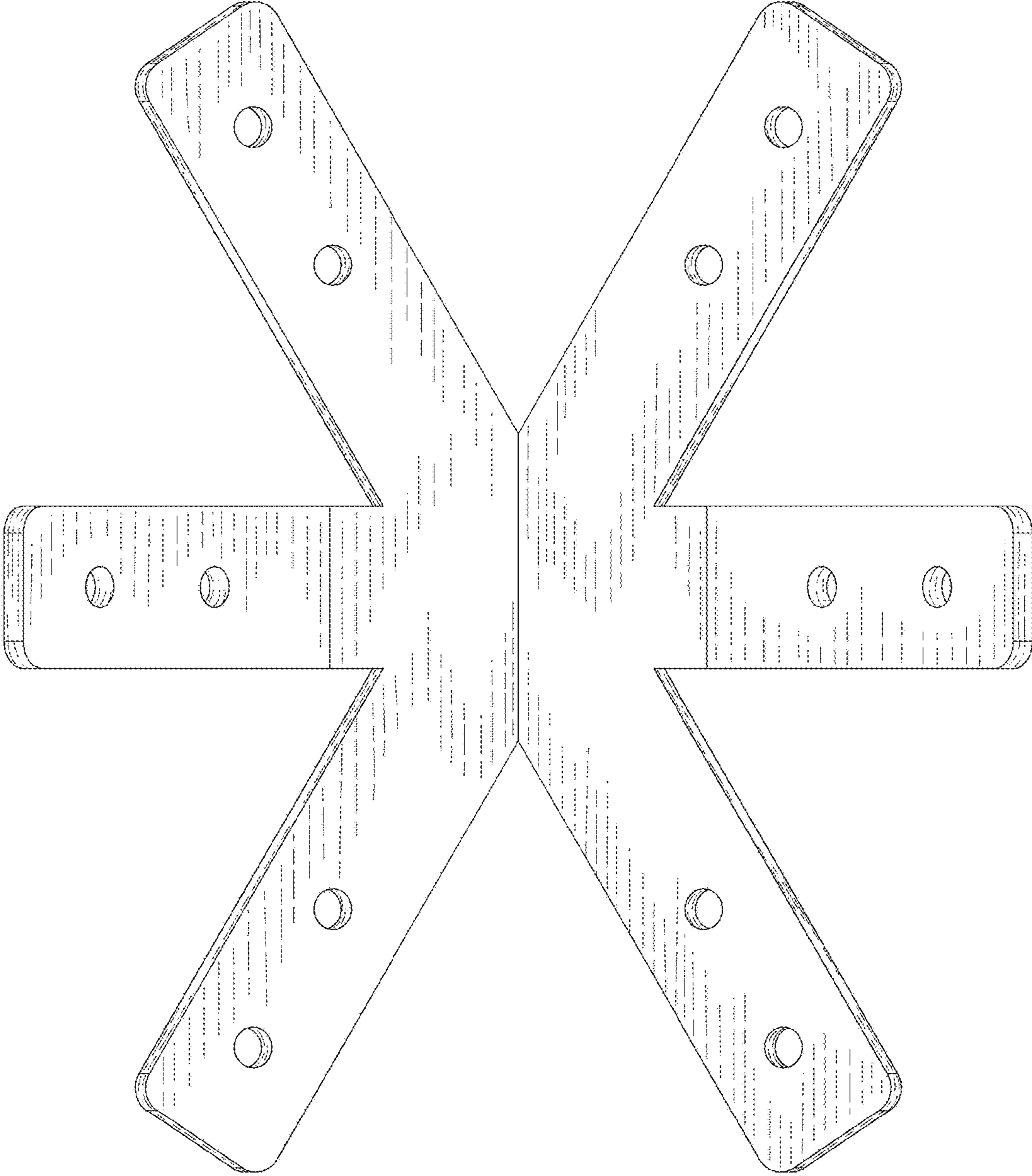


FIG. 5

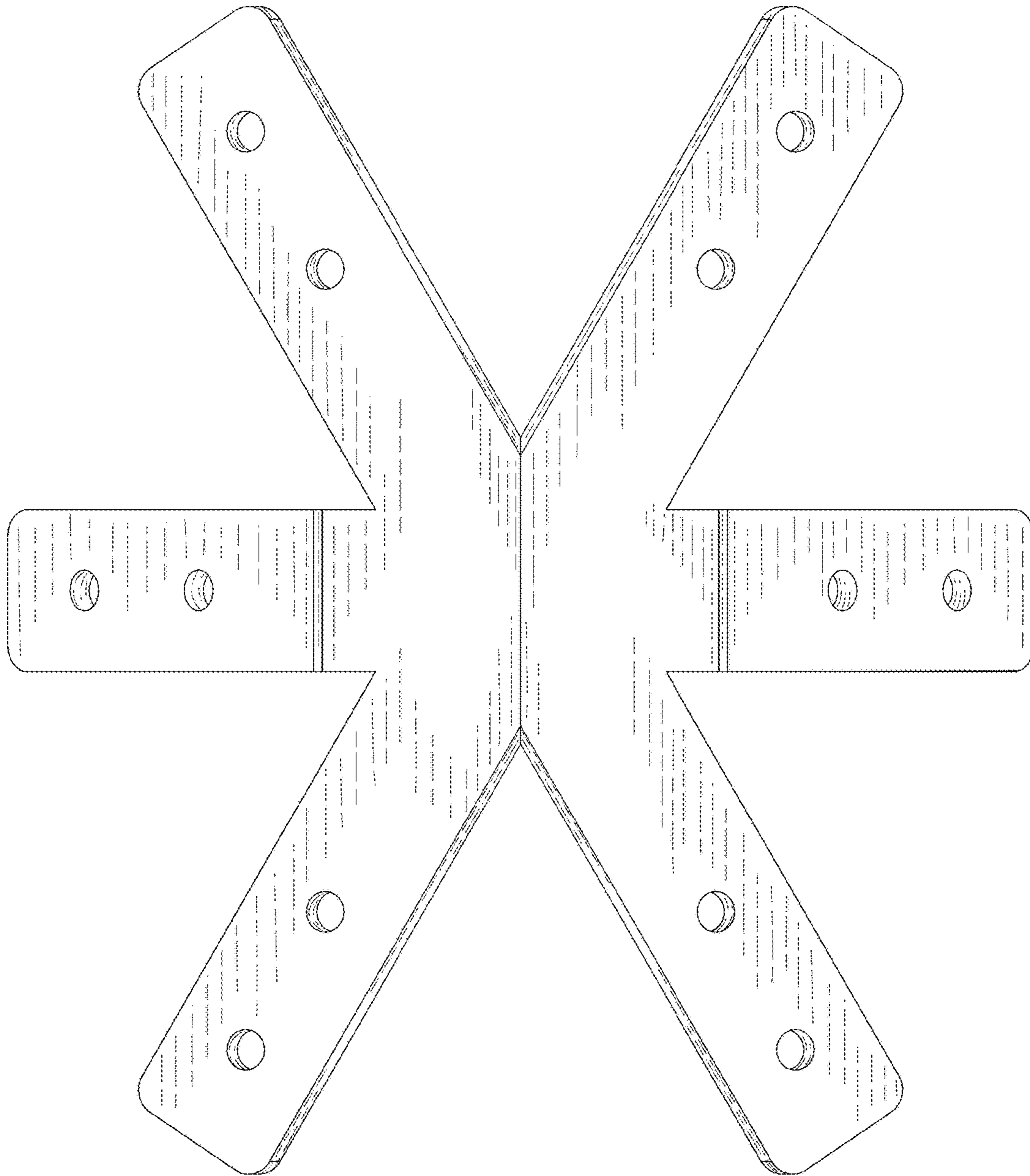


FIG. 6

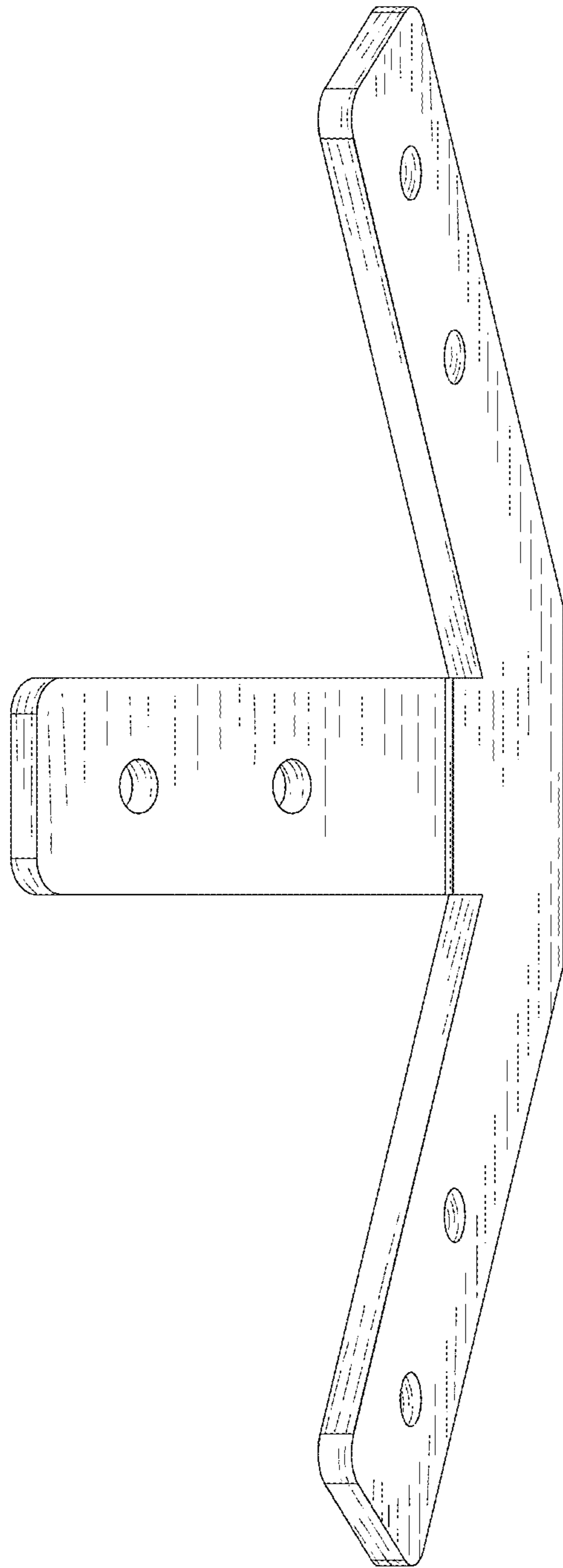


FIG. 7

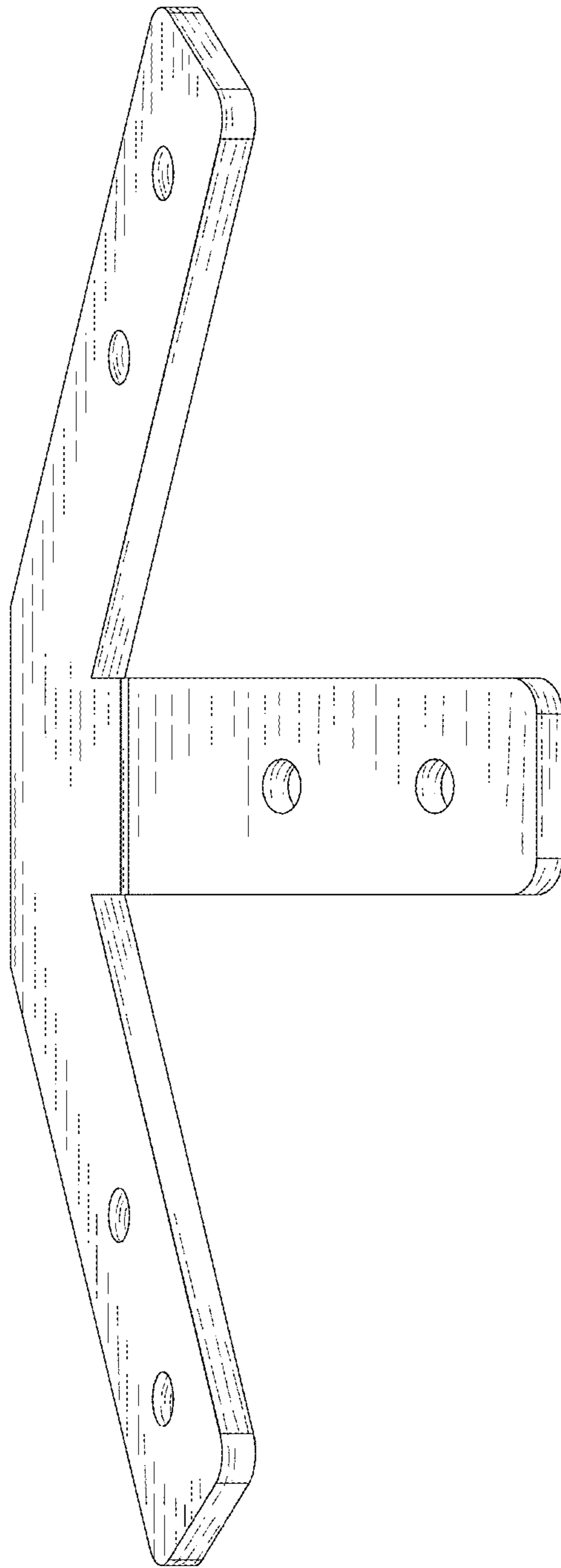


FIG. 8

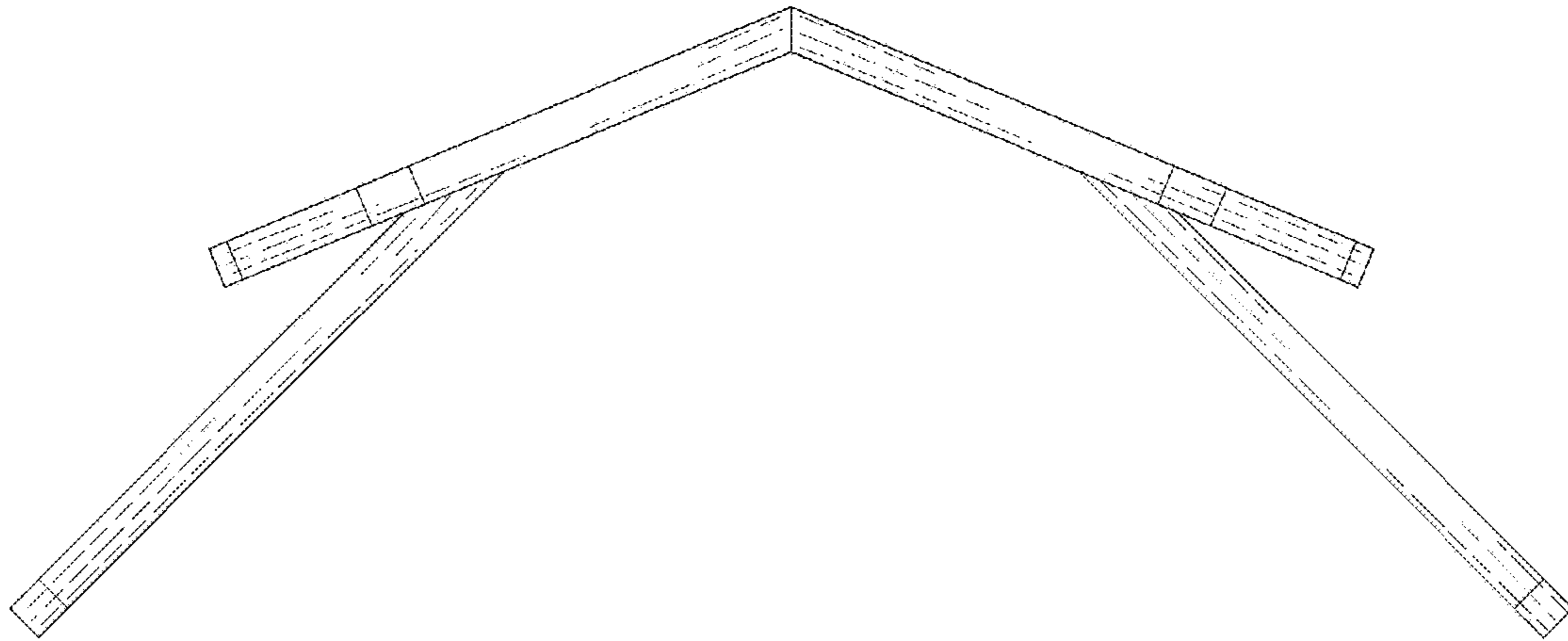


FIG. 9

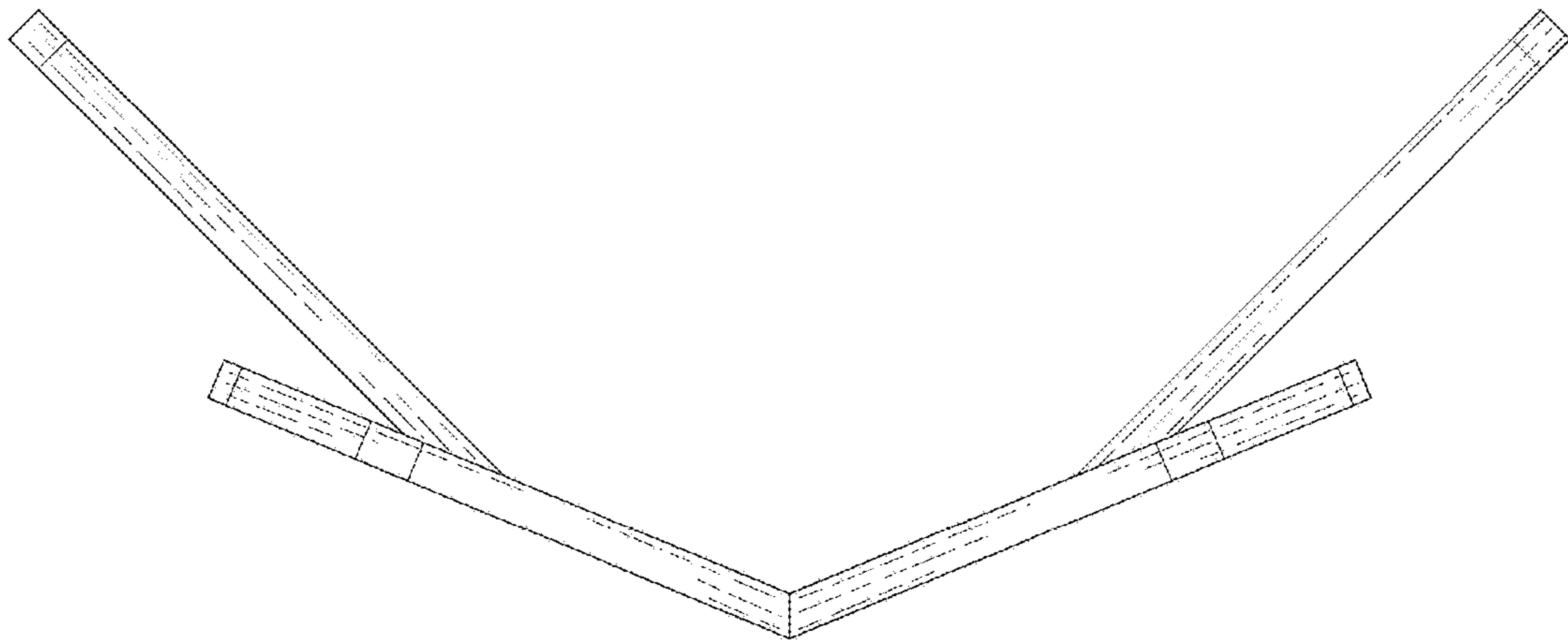


FIG. 10