

US00D841433S

(12) **United States Design Patent** (10) **Patent No.:** **US D841,433 S**
Lardon et al. (45) **Date of Patent:** **** Feb. 26, 2019**

(54) **TOOL CARTRIDGE CLIP**
(71) Applicant: **TRUMPF Werkzeugmaschinen GmbH + Co. KG, Ditzingen (DE)**
(72) Inventors: **Etienne Lardon, Huenenberg See (CH); Mathias Tweitmann, Waedenswil (CH)**
(73) Assignee: **TRUMPF Werkzeugmaschinen GmbH + Co. KG, Ditzingen (DE)**
(**) Term: **15 Years**
(21) Appl. No.: **29/611,947**
(22) Filed: **Jul. 27, 2017**

(30) **Foreign Application Priority Data**

Feb. 3, 2017 (EM) 003737873

(51) **LOC (11) Cl.** **08-05**

(52) **U.S. Cl.**
USPC **D8/354; D15/141**

(58) **Field of Classification Search**
USPC D8/14, 331, 349, 354, 366, 380-82, 385, D8/394, 400, 404, 499; D12/400; D15/1-6, 28, 29, 122, 138, 141
CPC A47G 29/00; A47G 29/08; A47F 5/00; A01C 5/00
See application file for complete search history.

(56) **References Cited**

U.S. PATENT DOCUMENTS

D364,794 S * 12/1995 Eberschlag D8/354
D391,586 S * 3/1998 Walker D15/141
D523,803 S * 6/2006 Smith D12/223
D557,117 S * 12/2007 Cannaverde D8/354
7,429,023 B2 * 9/2008 Morrow E04B 1/003
248/200
D579,873 S * 11/2008 Gershfeld D13/139.4

D612,226 S * 3/2010 Dinh D8/356
D628,539 S * 12/2010 Tezak D13/152
D635,449 S * 4/2011 Robinson D8/366
D663,609 S * 7/2012 Ogden, Jr. D8/354
D664,421 S * 7/2012 Bishir D8/331
D667,288 S * 9/2012 Preda D8/354
D691,024 S * 10/2013 Stanic D8/354
D698,628 S * 2/2014 Stanley D8/367
D704,034 S * 5/2014 Larsen D8/346
D705,043 S * 5/2014 Michaud D8/366
D709,361 S * 7/2014 Caldwell D8/403
D711,213 S * 8/2014 Schorn D8/373
D729,611 S * 5/2015 Schmidt D8/349
D730,719 S * 6/2015 Sundberg D8/354
D732,929 S * 6/2015 Harrow D8/354
D732,939 S * 6/2015 Cannaverde E06B 9/174
D8/354
D735,170 S * 7/2015 Colvin D12/223
(Continued)

Primary Examiner — Garth Rademaker
Assistant Examiner — Fritzgerald L Butac
(74) *Attorney, Agent, or Firm* — Fish & Richardson P.C.

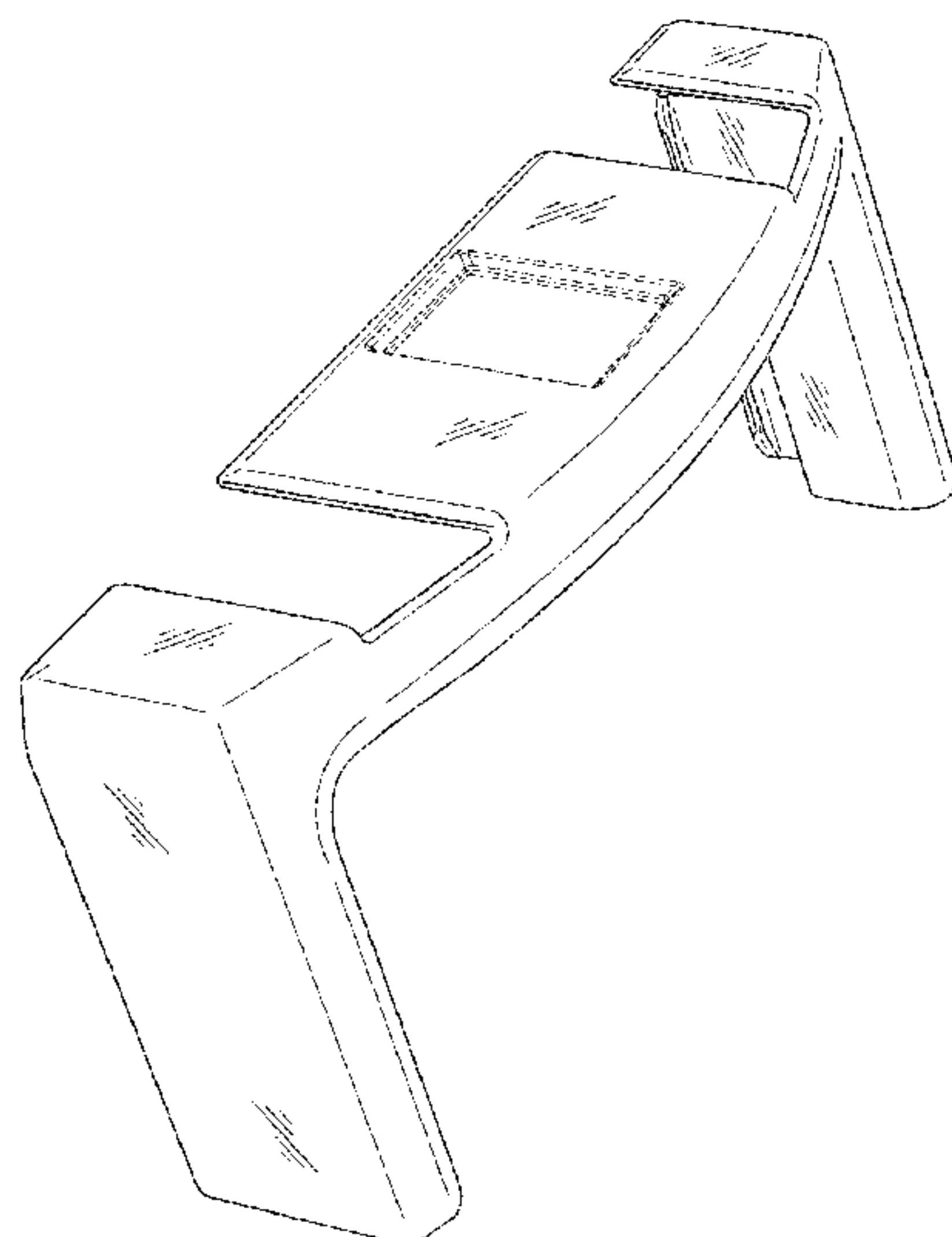
(57) **CLAIM**

The ornamental design for a tool cartridge clip, as shown and described.

DESCRIPTION

FIG. 1 is a first perspective view of the tool cartridge clip. FIG. 2 is a second perspective view of the tool cartridge clip. FIG. 3 is a top view of the tool cartridge clip. FIG. 4 is a bottom view of the tool cartridge clip. FIG. 5 is a left side view of the tool cartridge clip. FIG. 6 is a right side view of the tool cartridge clip. FIG. 7 is a front view of the tool cartridge clip; and, FIG. 8 is a back view of the tool cartridge clip. The broken lines show portions of a tool cartridge clip that form no part of the claimed design.

1 Claim, 3 Drawing Sheets



(56)

References Cited

U.S. PATENT DOCUMENTS

D735,770 S * 8/2015 Schaffert D15/28
D737,124 S * 8/2015 Sasanecki D8/366
D741,222 S * 10/2015 Pratt D12/42
D741,690 S * 10/2015 Collins, IV D8/354
9,157,463 B2 * 10/2015 Lin F16B 12/10
D743,184 S * 11/2015 Lin D6/581
D746,537 S * 12/2015 Kuo D34/38
D774,874 S * 12/2016 Wentzel D8/349
D777,024 S * 1/2017 Lee D8/396
D781,690 S * 3/2017 Darby D8/381
D782,290 S * 3/2017 Darby D8/381
D782,546 S * 3/2017 Balan D15/28
D783,386 S * 4/2017 Collins, IV D8/354
D788,182 S * 5/2017 Serrurier D15/28
D794,420 S * 8/2017 Emmons D8/349
D817,750 S * 5/2018 Subbiah D8/381
D820,664 S * 6/2018 Allen D8/354
D822,454 S * 7/2018 Kanter D8/354
D824,241 S * 7/2018 Tyrer D8/354
D825,319 S * 8/2018 Zussman D8/381
D829,083 S * 9/2018 O'Brien D8/366

* cited by examiner

FIG. 1

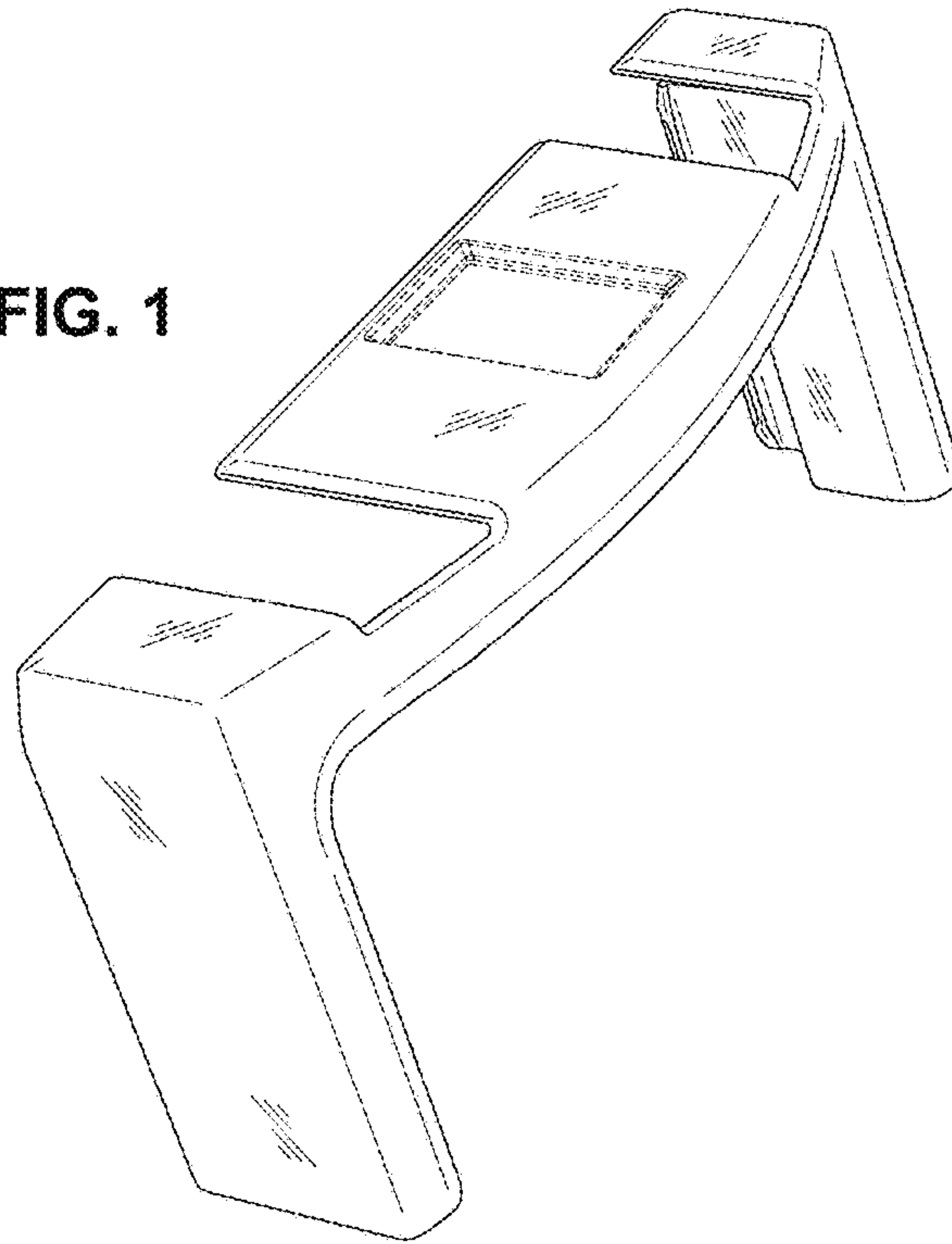
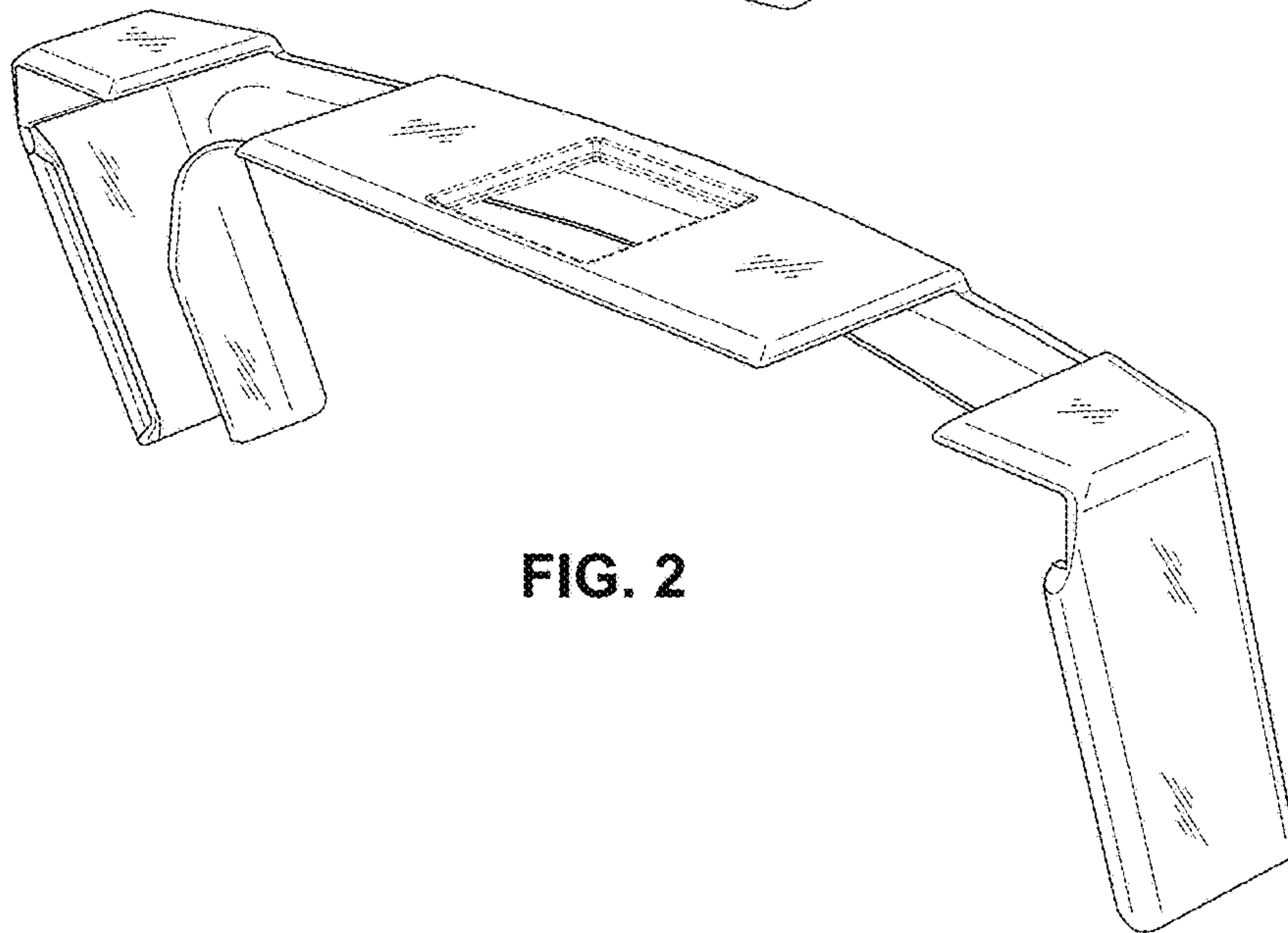


FIG. 2



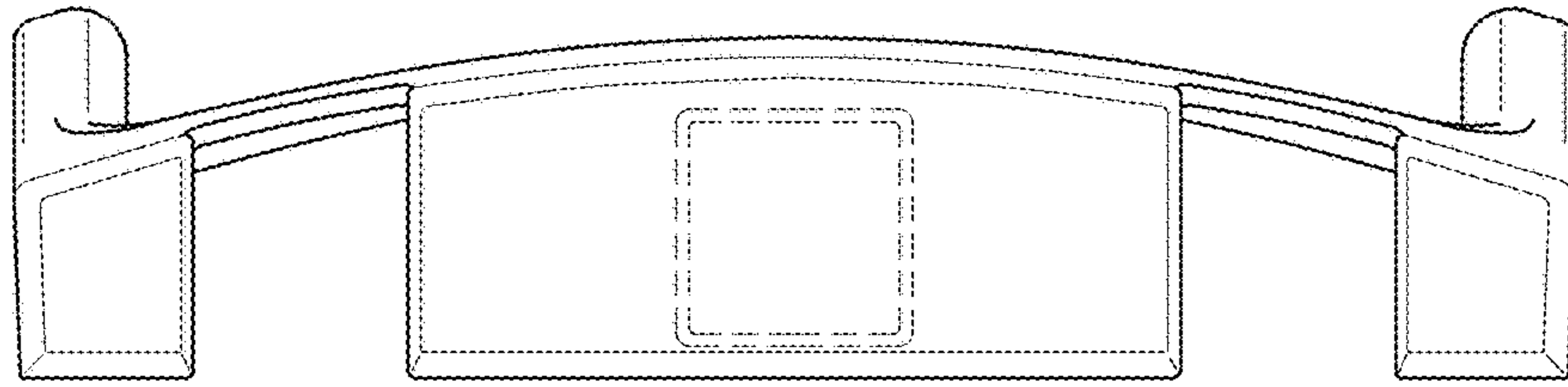


FIG. 3

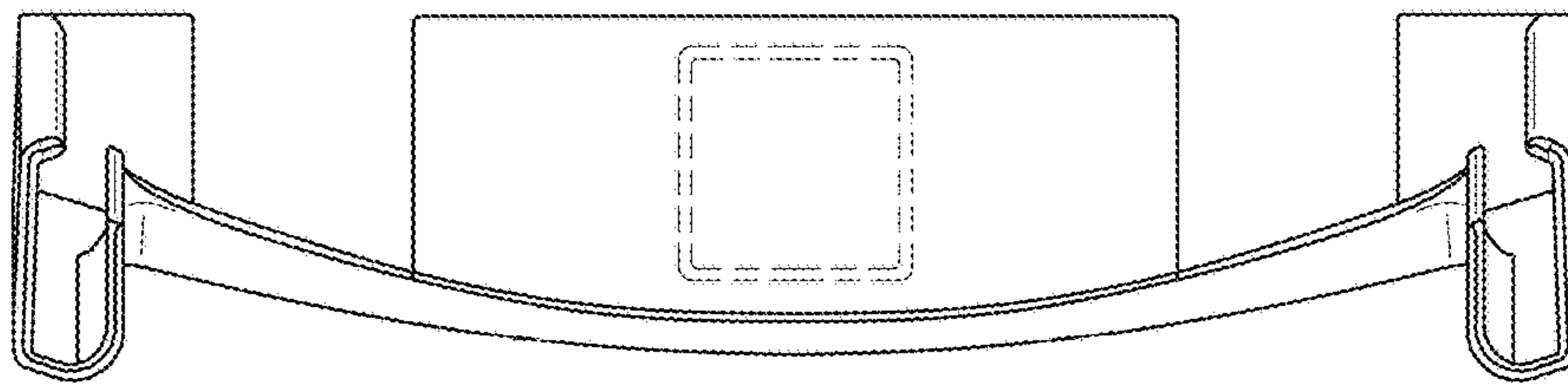


FIG. 4

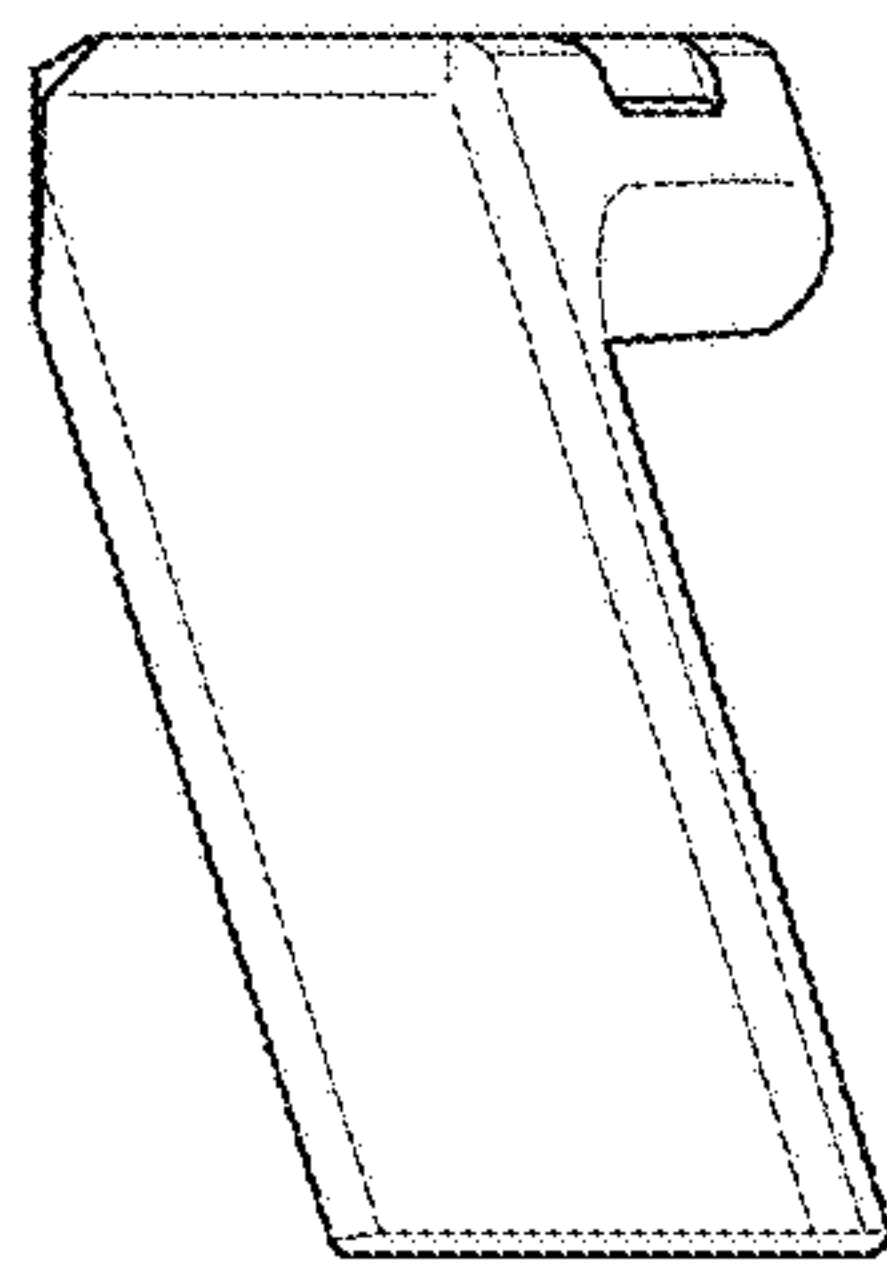


FIG. 5

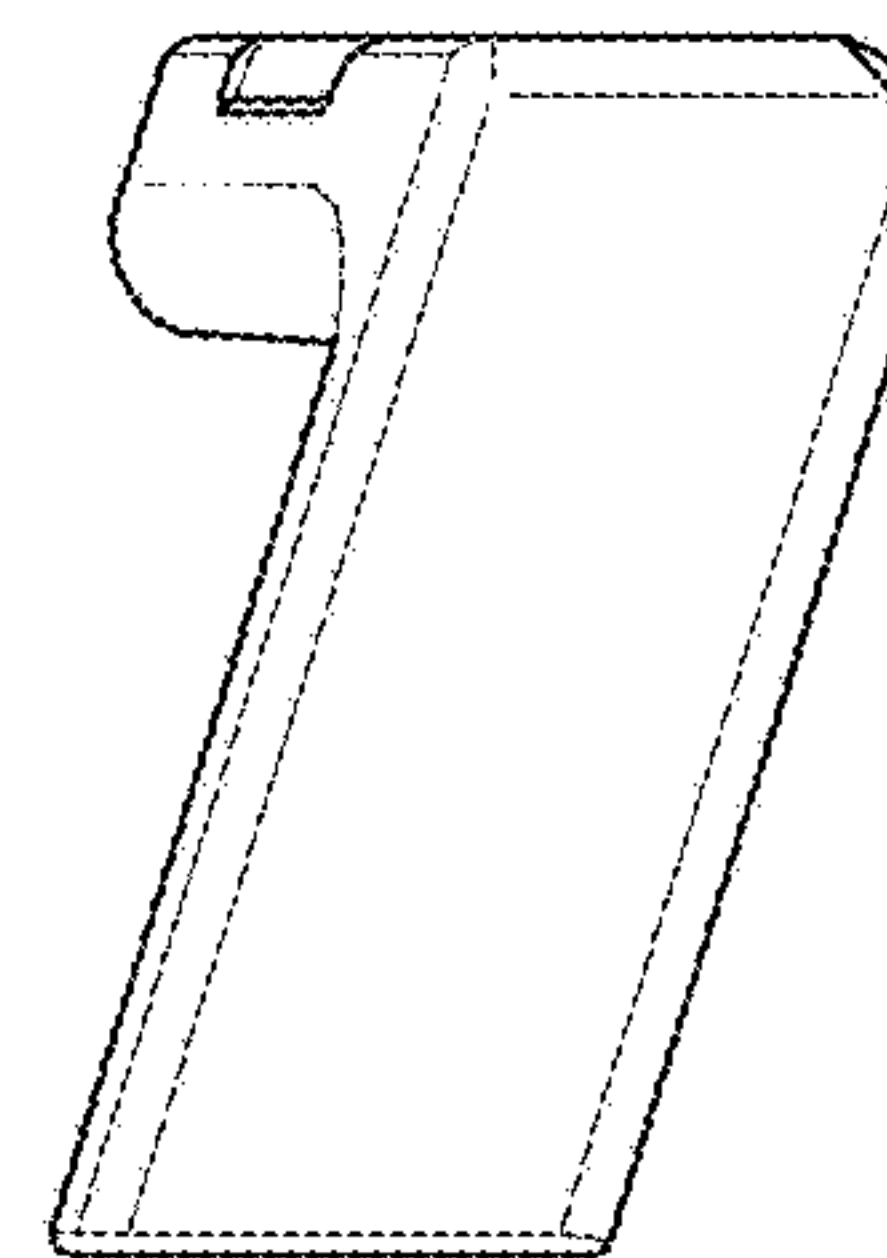


FIG. 6

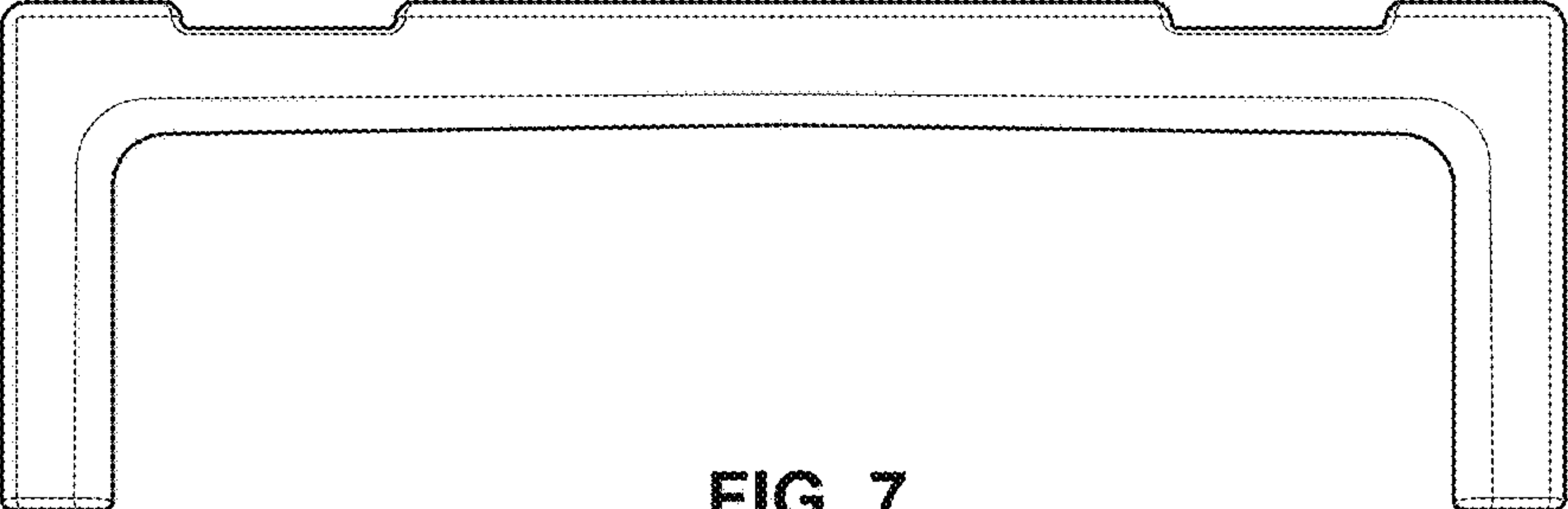


FIG. 7

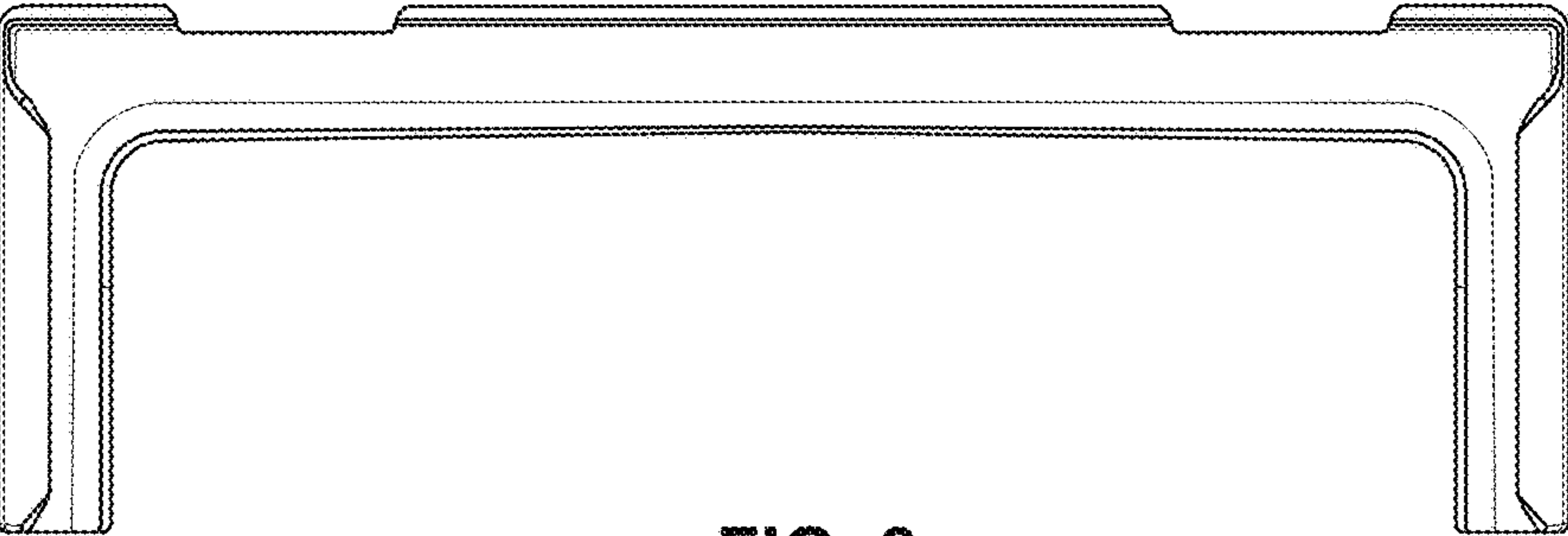


FIG. 8