



US00D841432S

(12) **United States Design Patent** (10) **Patent No.:** **US D841,432 S**  
**Nikayin et al.** (45) **Date of Patent:** **\*\* Feb. 26, 2019**

(54) **BRACKET FOR AN ELECTRICAL JUNCTION BOX**

5,936,200 A 8/1999 Park  
6,232,553 B1 5/2001 Regen  
6,858,802 B2 \* 2/2005 Hagarty ..... H02G 15/10  
174/53

(71) Applicants: **Saeed Nikayin**, Los Angeles, CA (US);  
**Kai Zhang**, Los Angeles, CA (US);  
**Gilbert Loera**, Los Angeles, CA (US);  
**Andrew Choi**, Los Angeles, CA (US)

D507,539 S 7/2005 Hull  
D579,417 S 10/2008 Stuckmann et al.  
7,439,443 B2 \* 10/2008 Dinh ..... H02G 3/126  
174/481

(72) Inventors: **Saeed Nikayin**, Los Angeles, CA (US);  
**Kai Zhang**, Los Angeles, CA (US);  
**Gilbert Loera**, Los Angeles, CA (US);  
**Andrew Choi**, Los Angeles, CA (US)

D590,235 S \* 4/2009 Yan ..... D8/354  
7,582,829 B2 9/2009 Yan  
7,645,936 B2 1/2010 Magno, Jr.  
D676,814 S 2/2013 Paul  
8,403,289 B1 \* 3/2013 Rinderer ..... H02G 3/126  
174/480

(\*\*) Term: **15 Years**

9,653,899 B2 \* 5/2017 Salian ..... H02G 3/121  
9,853,431 B2 \* 12/2017 Jones ..... H02G 3/126

(Continued)

(21) Appl. No.: **29/587,104**

*Primary Examiner* — Lakiya G Rogers

(22) Filed: **Dec. 9, 2016**

*Assistant Examiner* — Harold E Blackwell, II

(51) **LOC (11) Cl.** ..... **08-05**

(74) *Attorney, Agent, or Firm* — Kirk A. Buhler; Buhler & Associates

(52) **U.S. Cl.**

USPC ..... **D8/354**

(58) **Field of Classification Search**

USPC ..... D8/354, 355, 353; 248/71, 300  
CPC ..... H02G 3/125; H02G 3/126; H02G 3/128  
See application file for complete search history.

(57) **CLAIM**

The ornamental design for a bracket for an electrical junction box, as shown and described.

(56) **References Cited**

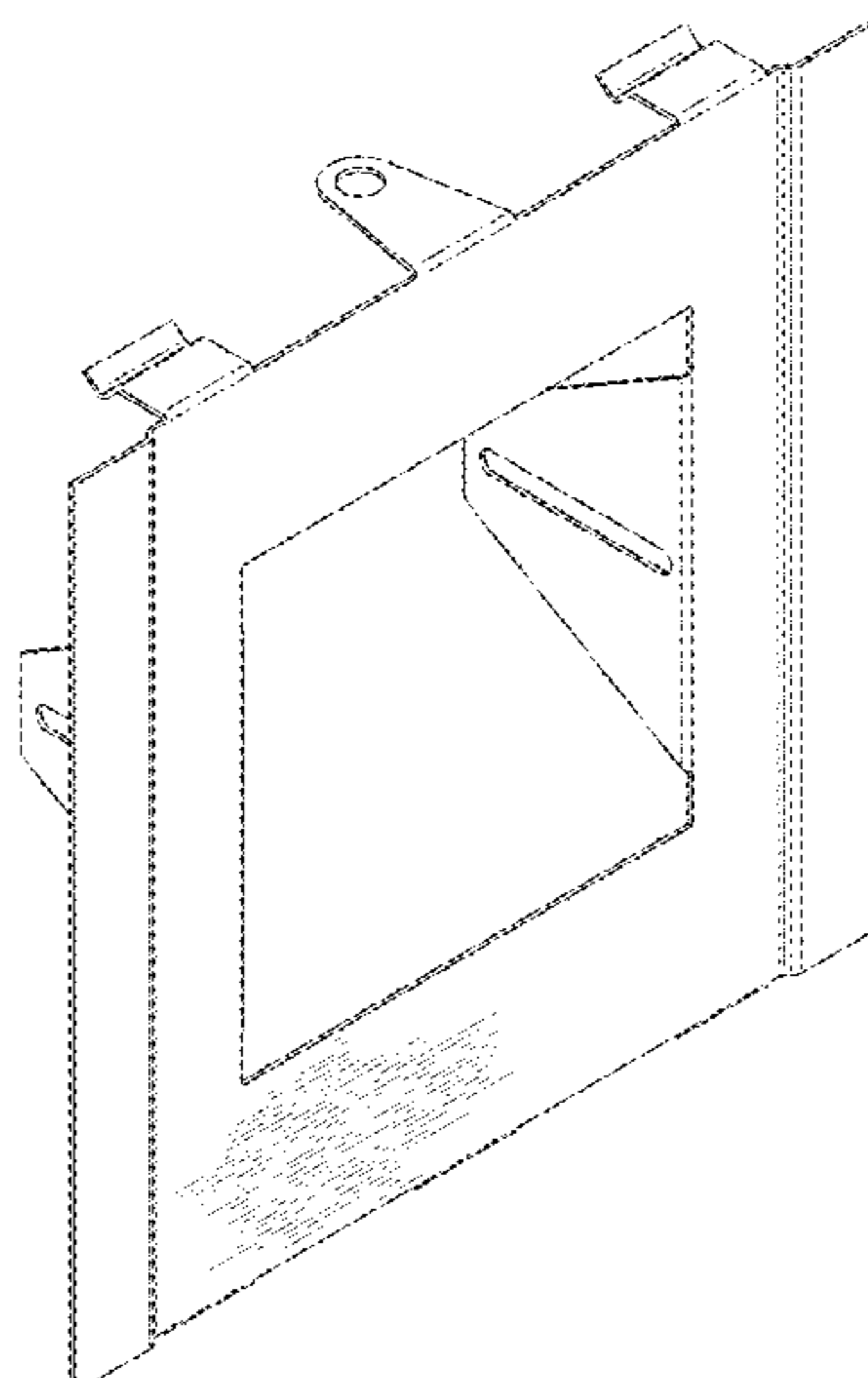
**DESCRIPTION**

U.S. PATENT DOCUMENTS

1,264,450 A 4/1918 Sweet  
4,051,322 A 9/1977 Park  
4,108,414 A \* 8/1978 Grant, Sr. .... H02B 1/044  
248/27.1  
4,576,431 A \* 3/1986 Thayer ..... H01R 13/73  
174/541  
4,732,356 A \* 3/1988 Medlin, Sr. .... H02G 3/125  
174/58  
4,863,399 A \* 9/1989 Medlin, Jr. .... H01R 13/74  
439/538  
4,964,525 A \* 10/1990 Coffey ..... H02G 3/125  
220/3.9  
5,098,046 A \* 3/1992 Webb ..... H02G 3/128  
174/503

FIG. 1 is a top perspective view for a bracket for an electrical junction box showing my new design;  
FIG. 2 is a front view thereof;  
FIG. 3 is a back view thereof;  
FIG. 4 is a top view, the bottom view being a mirror image thereof;  
FIG. 5 is a left side view, the right side view being a mirror image thereof; and,  
FIG. 6 is a perspective view thereof shown in an environment of use.  
The broken lines in FIG. 6 depict environmental subject matter only and form no part of the claimed design.

**1 Claim, 5 Drawing Sheets**



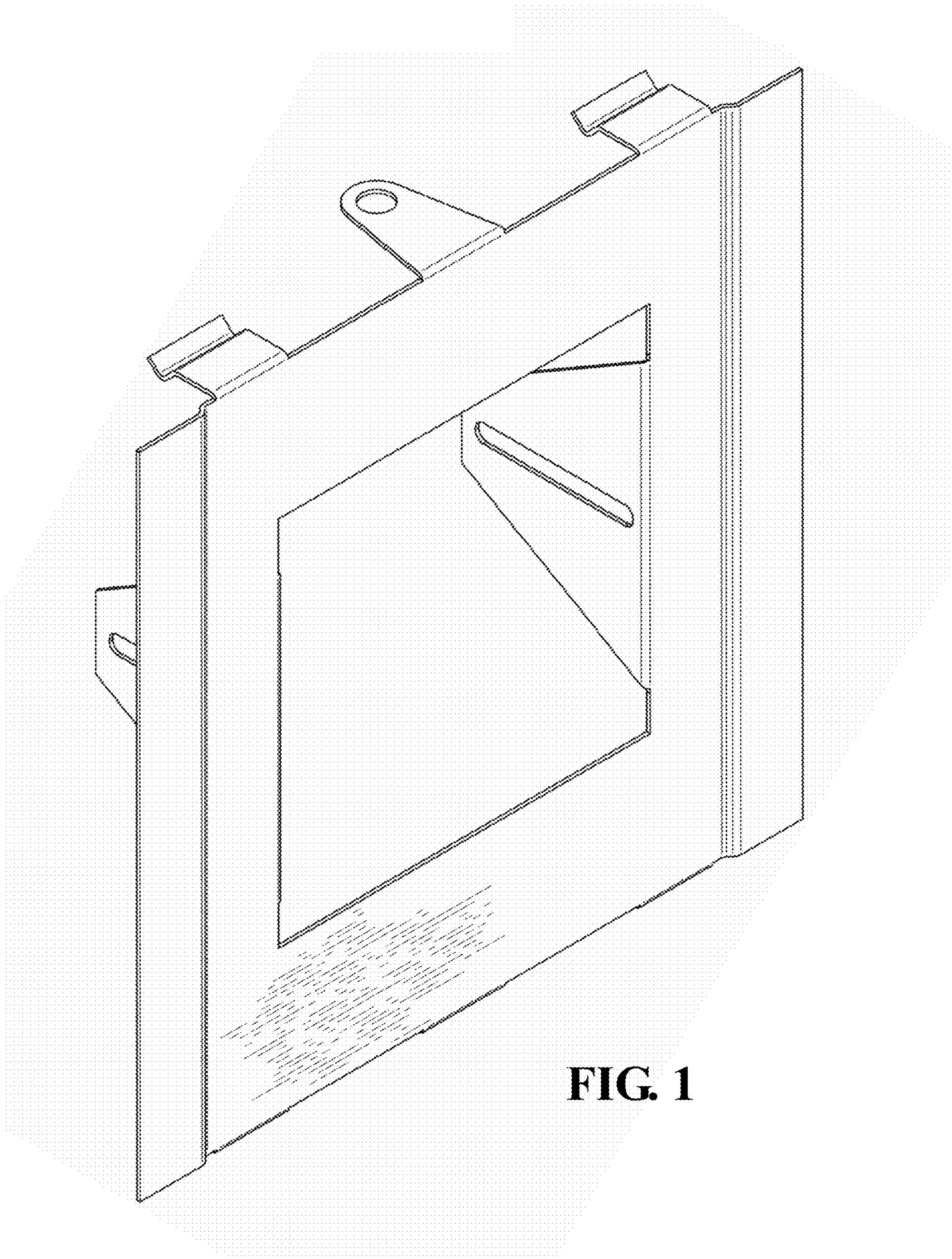
(56)

**References Cited**

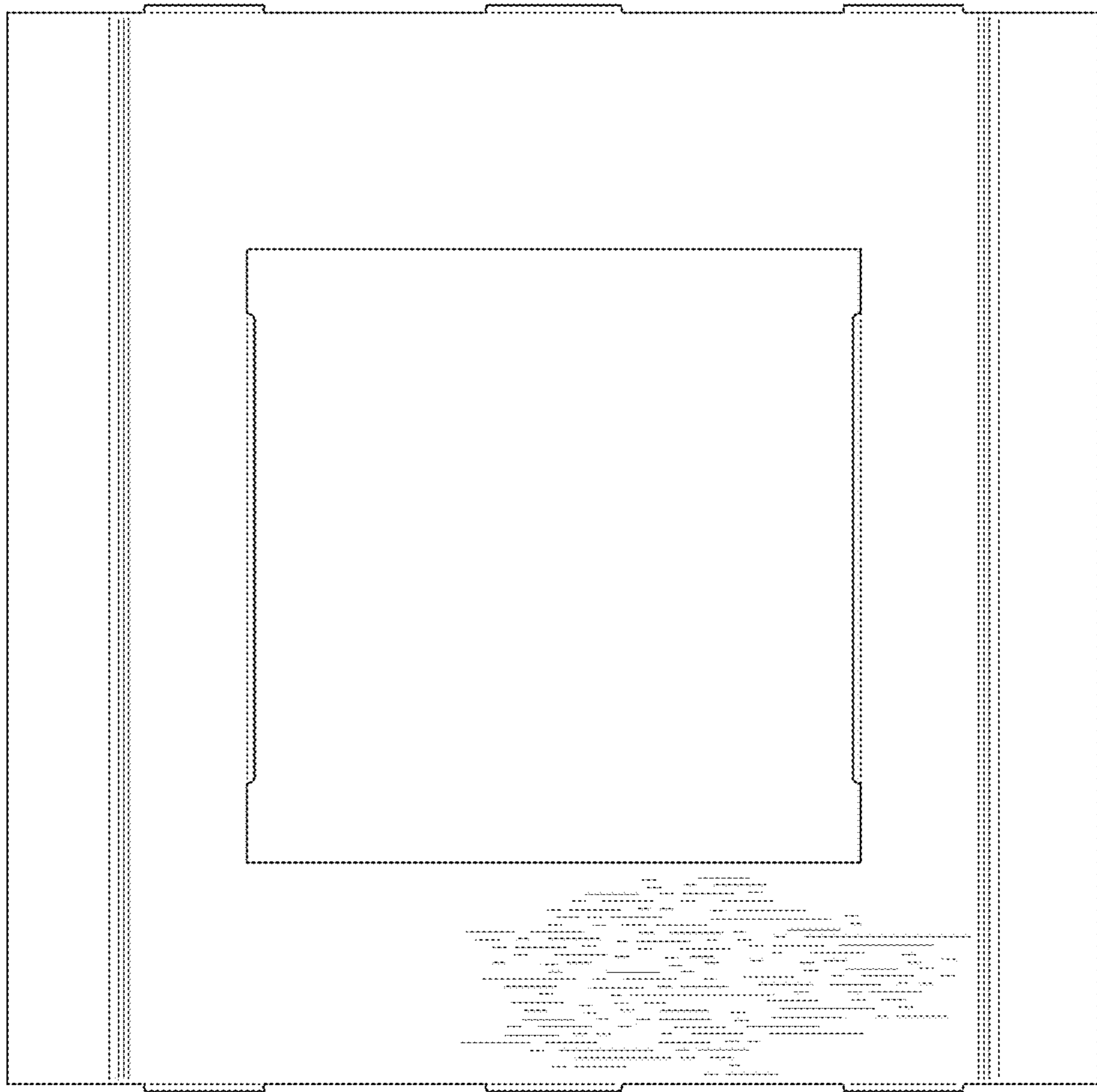
U.S. PATENT DOCUMENTS

D821,849 S *	7/2018	Nikayin .....	D8/354
10,027,099 B1 *	7/2018	Garvin .....	H02G 3/081
10,056,748 B2 *	8/2018	Thomas .....	H02G 3/121
2007/0187402 A1 *	8/2007	Dinh .....	H02G 3/126
			220/3.9
2016/0099555 A1 *	4/2016	Nikayin .....	H02G 3/125
			248/74.2

\* cited by examiner



**FIG. 1**



**FIG. 2**

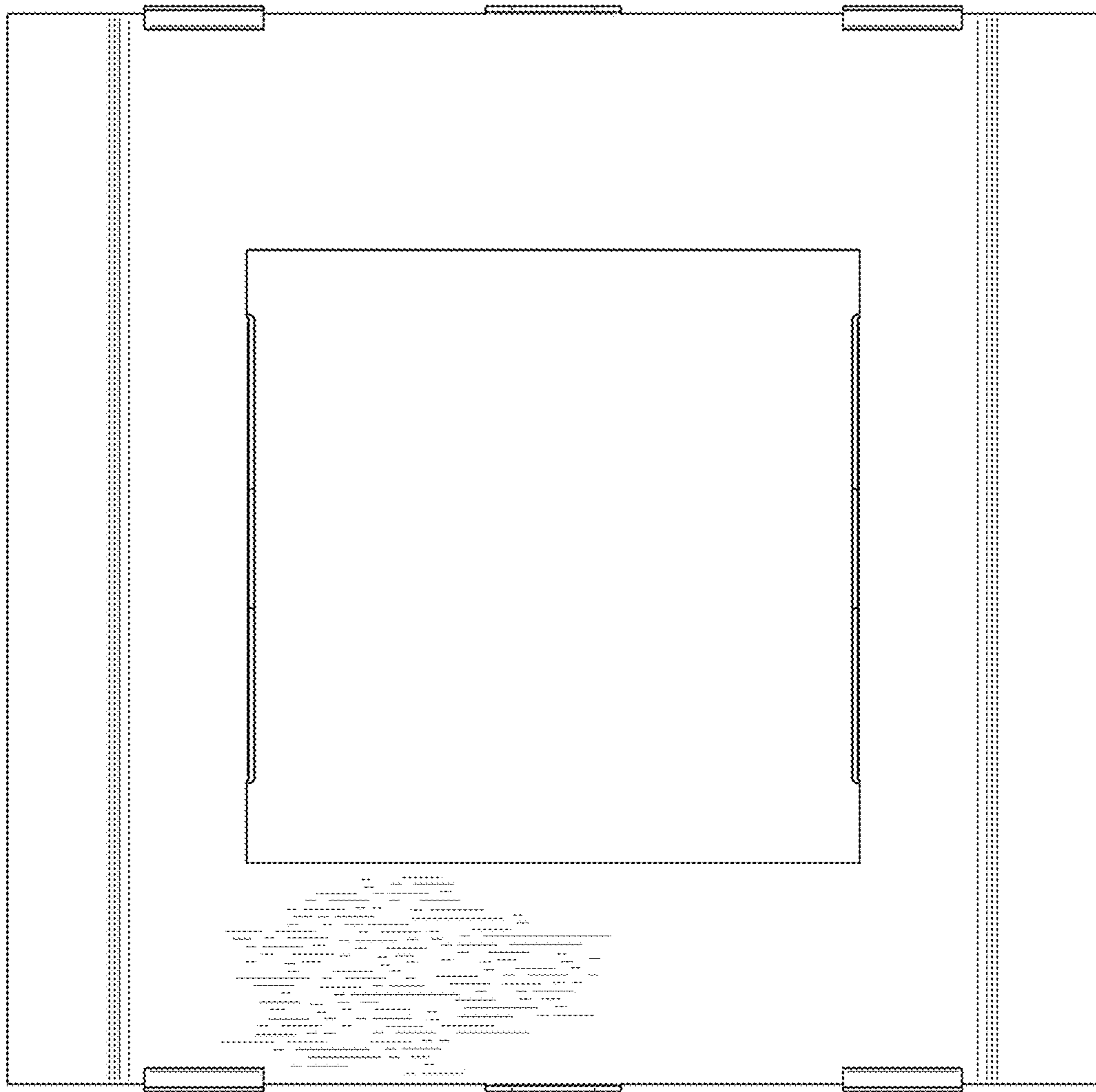
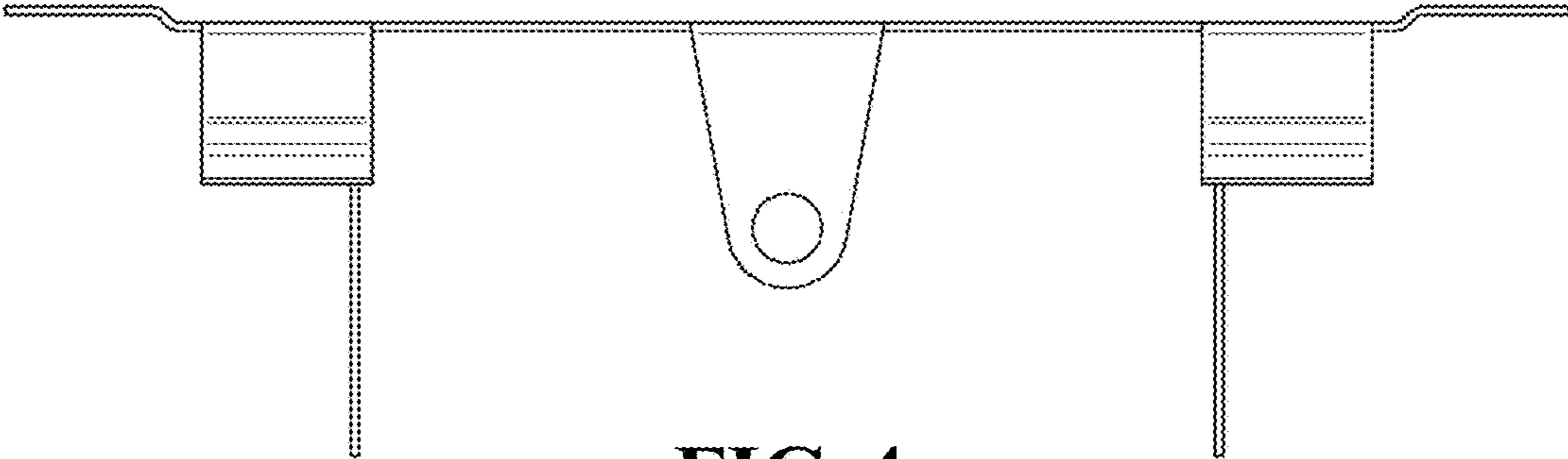
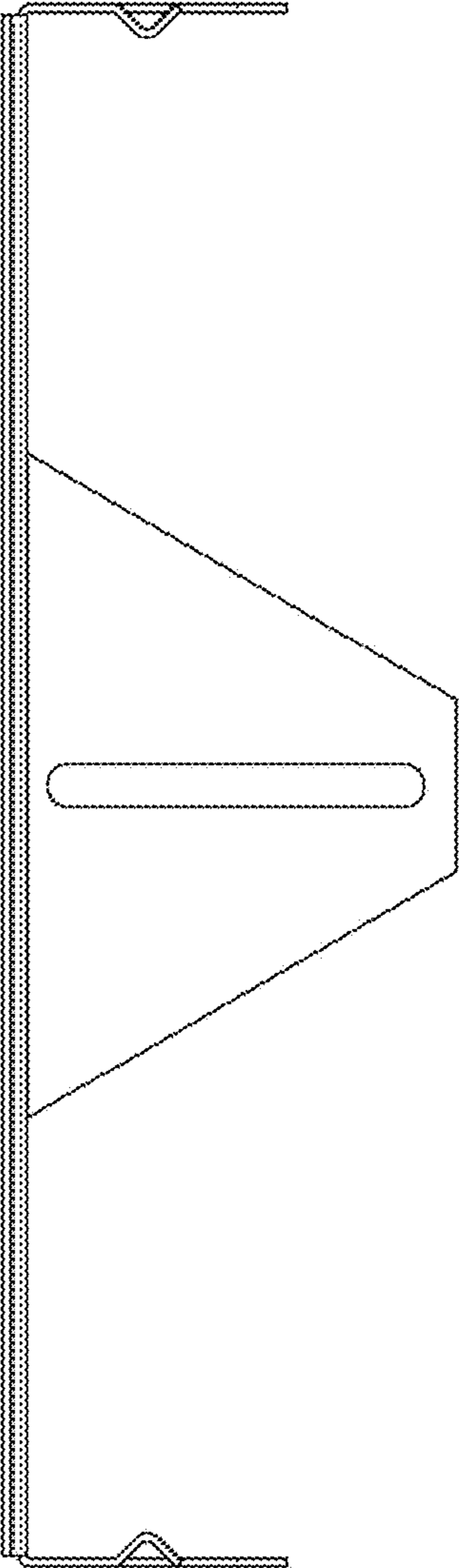


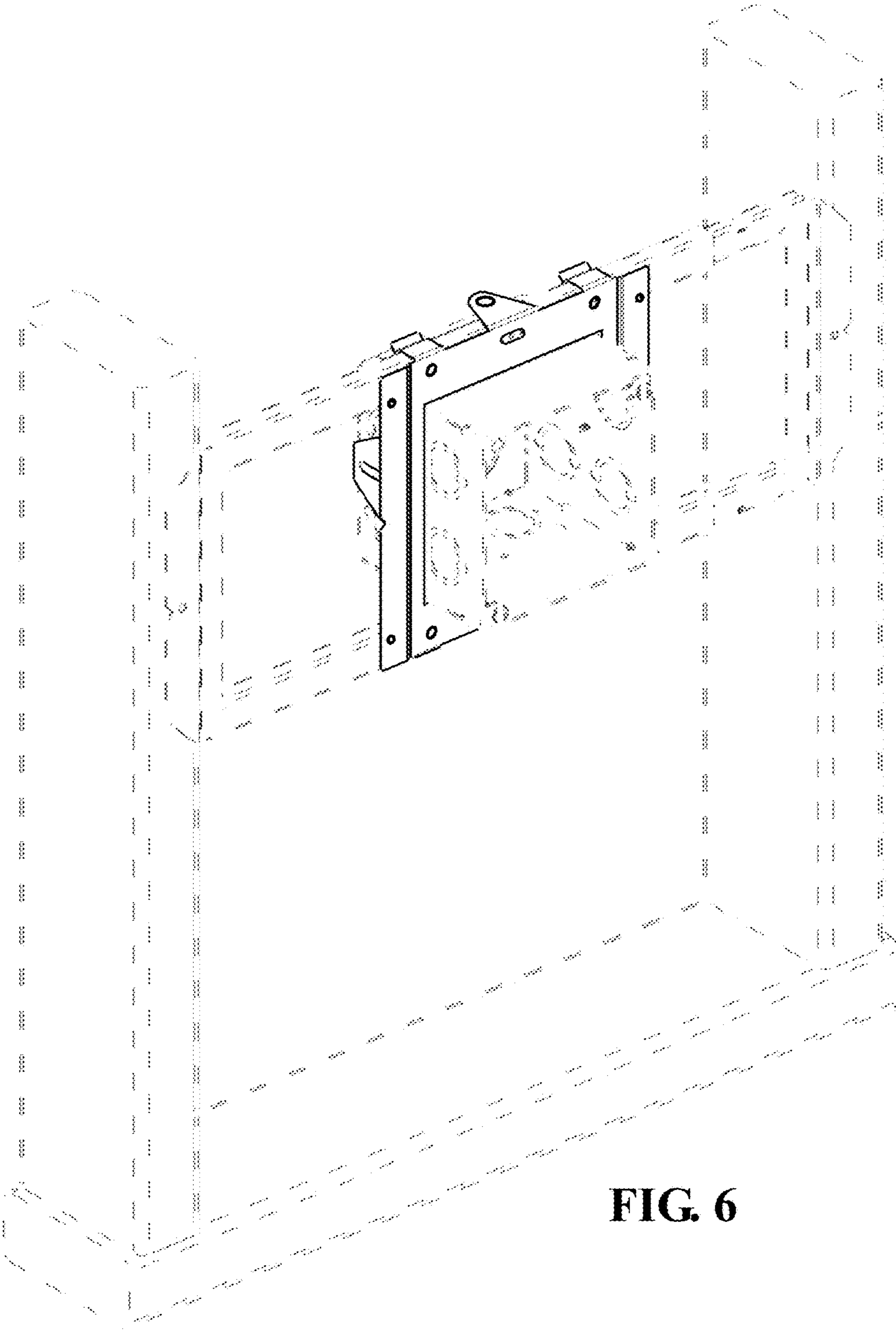
FIG. 3



**FIG. 4**



**FIG. 5**



**FIG. 6**