



US00D841431S

(12) **United States Design Patent** (10) **Patent No.:** **US D841,431 S**
Ito et al. (45) **Date of Patent:** **** Feb. 26, 2019**

(54) **SPACER WITH BRACKET**
(71) Applicant: **SMC CORPORATION**, Tokyo (JP)
(72) Inventors: **Shinichi Ito**, Toride (JP); **Makoto Wada**, Tsukuba (JP)
(73) Assignee: **SMC CORPORATION**, Tokyo (JP)
(**) Term: **15 Years**
(21) Appl. No.: **29/534,563**
(22) Filed: **Jul. 29, 2015**
(30) **Foreign Application Priority Data**

Feb. 6, 2015 (CN) 2015 3 0036893

(51) **LOC (11) Cl.** **08-05**
(52) **U.S. Cl.**
USPC **D8/354**
(58) **Field of Classification Search**
USPC D8/354, 349, 355, 356, 363, 373, 380,
D8/382, 396, 499; D23/359-269, 235,
D23/249
CPC F16L 17/06; F16L 23/12
See application file for complete search history.

(56) **References Cited**

U.S. PATENT DOCUMENTS

5,372,392 A * 12/1994 Dunn F15B 21/048
285/24
D531,890 S * 11/2006 Bentrin D8/382
8,061,385 B2 * 11/2011 Kaitsuka F16K 17/04
137/614
D696,097 S * 12/2013 Wada D8/354
D696,098 S * 12/2013 Wada D8/354

D696,099 S 12/2013 Wada et al.
D696,100 S 12/2013 Wada et al.
D696,101 S * 12/2013 Wada D8/354
D712,243 S * 9/2014 Raines D8/396
D821,181 S * 6/2018 Ito D8/354
D824,242 S * 7/2018 Ito D8/354
2003/0006097 A1 * 1/2003 Tomita F16N 7/30
184/55.1
2014/0084585 A1 3/2014 Wada et al.

* cited by examiner

Primary Examiner — Lakiya G Rogers

Assistant Examiner — Harold E Blackwell, II

(74) *Attorney, Agent, or Firm* — Birch, Stewart, Kolasch & Birch, LLP

(57) **CLAIM**

The ornamental design for a spacer with bracket, as shown and described.

DESCRIPTION

FIG. 1 is a front, top and left side perspective view of a spacer with bracket showing our new design;
FIG. 2 is a rear, top and right side perspective view thereof;
FIG. 3 is a front view thereof;
FIG. 4 is a rear view thereof;
FIG. 5 is a top plan view thereof;
FIG. 6 is a bottom plan view thereof;
FIG. 7 is a left side view thereof; and,
FIG. 8 is a right side view thereof.
The broken lines depict portions of the spacer with bracket that form no part of the claimed design.

1 Claim, 8 Drawing Sheets

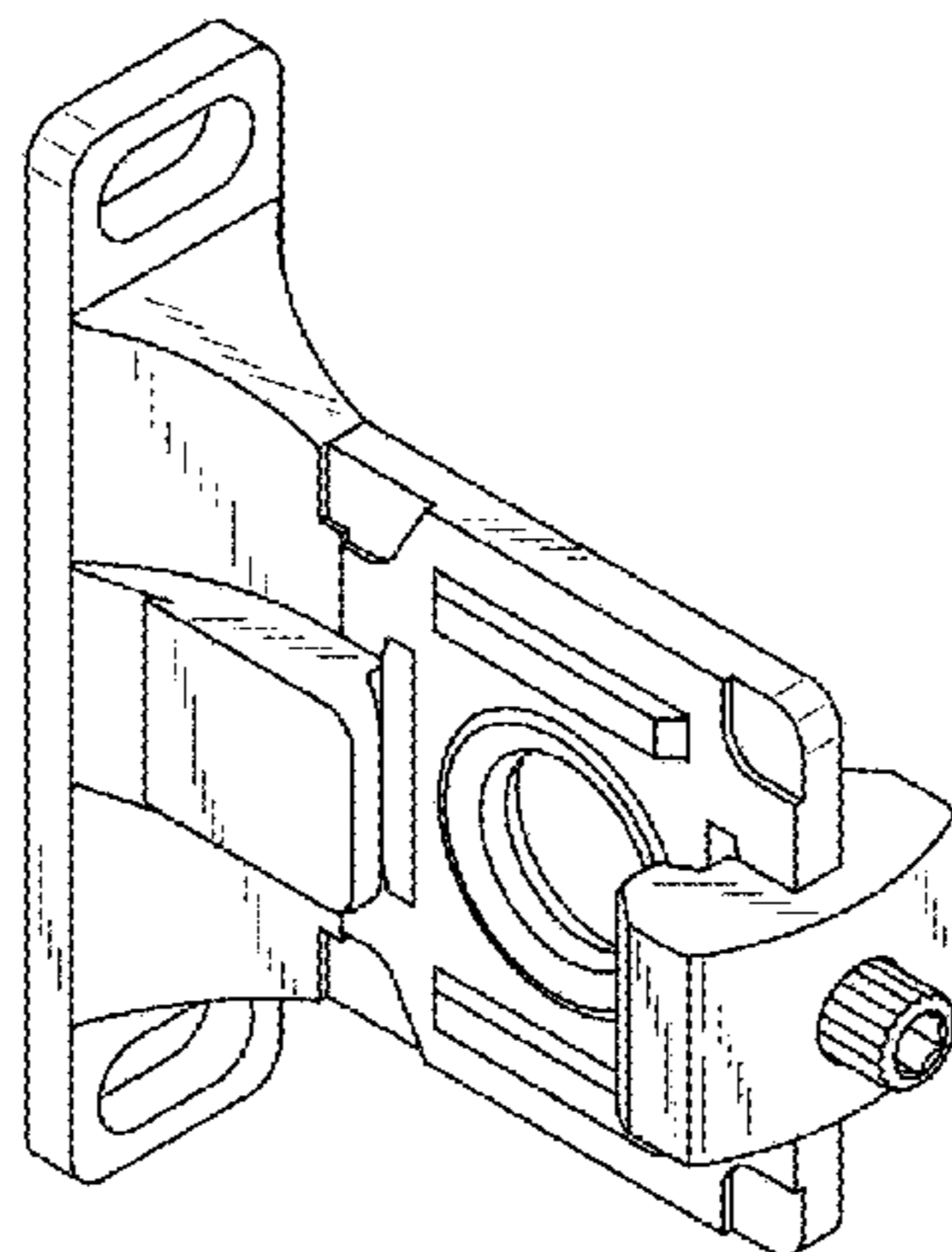


FIG. 1

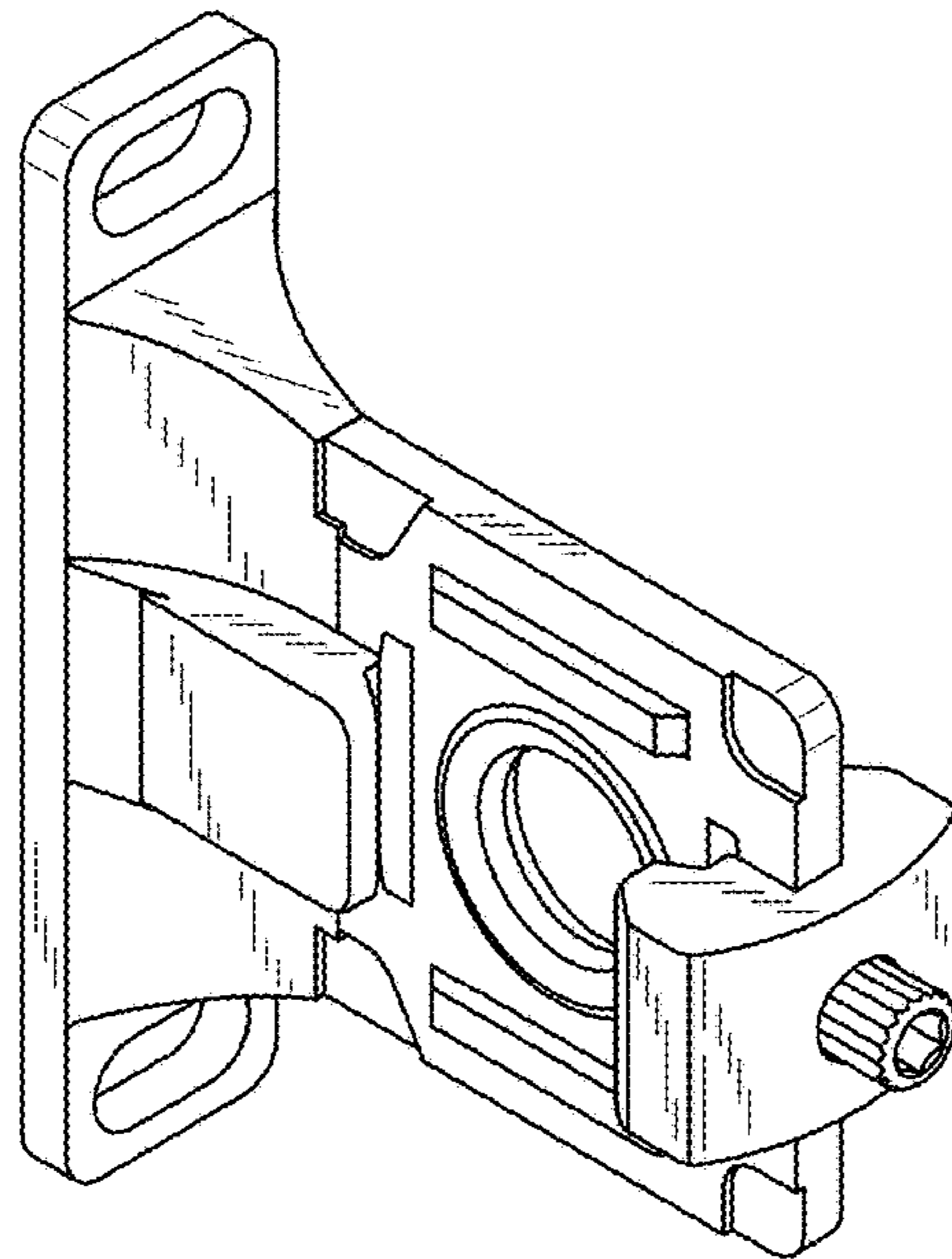


FIG. 2

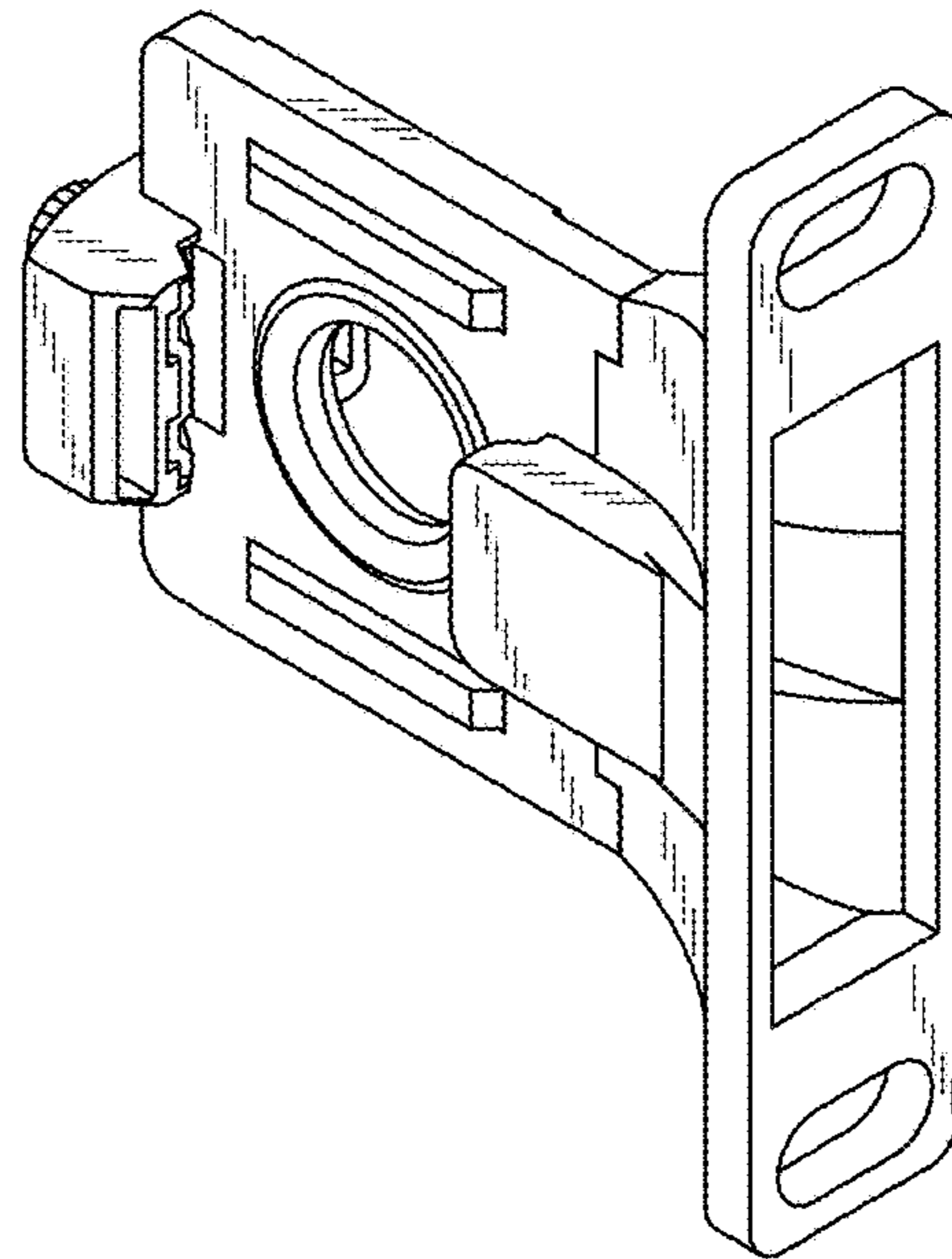


FIG. 3

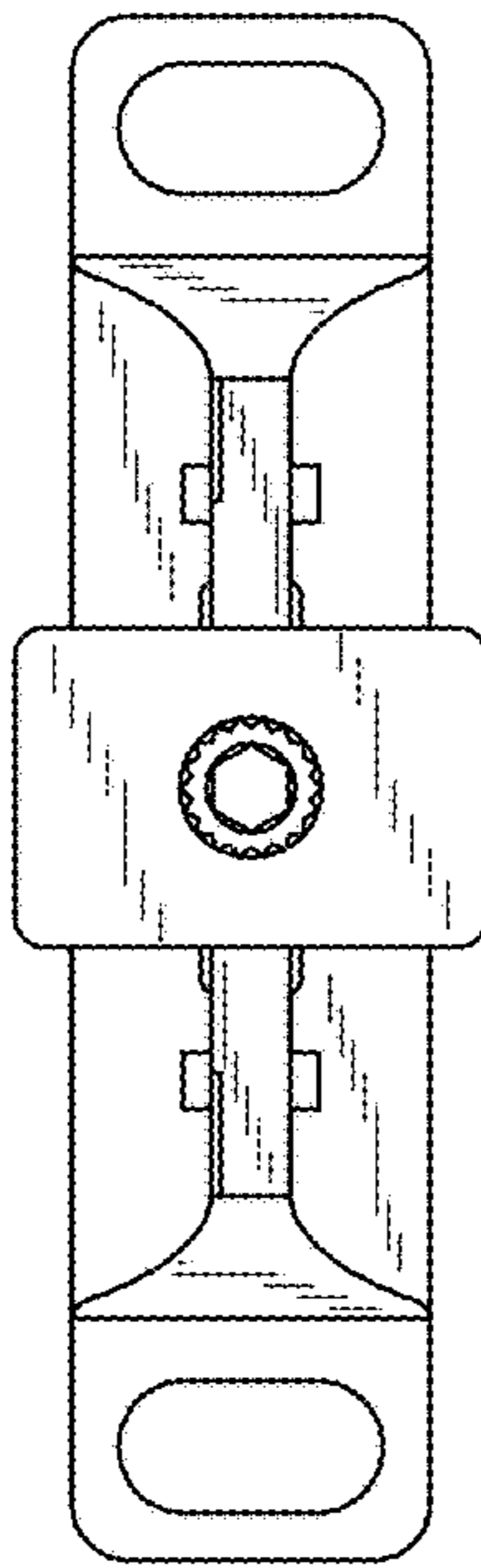


FIG. 4

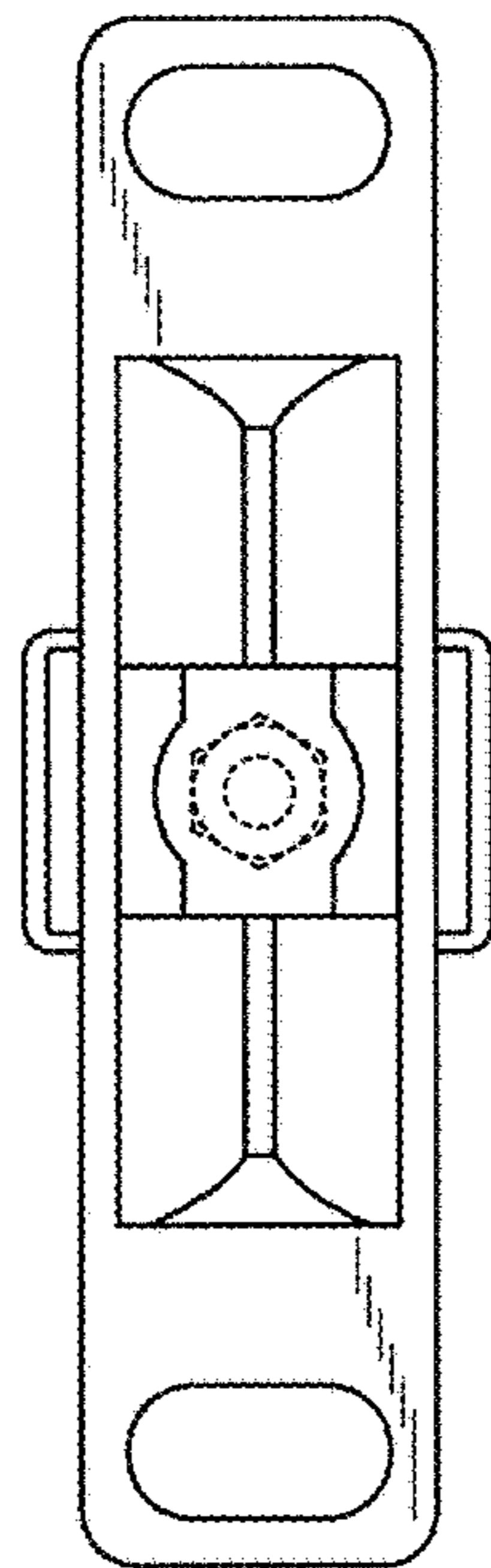


FIG. 5

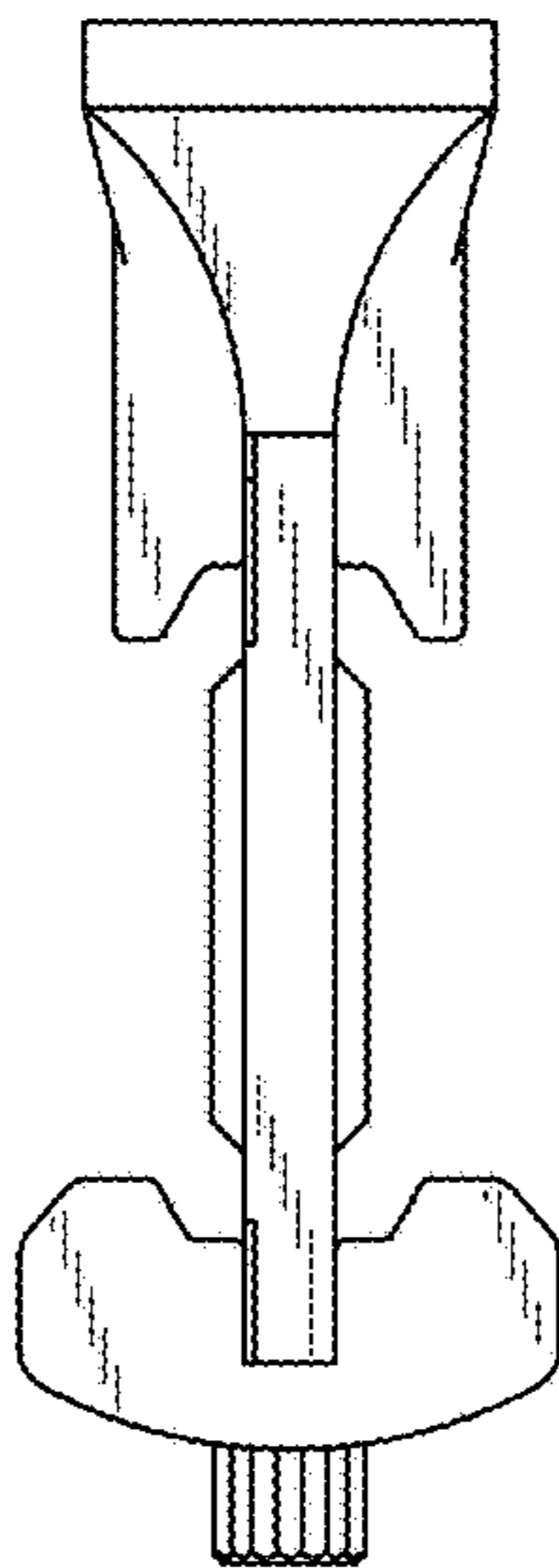


FIG. 6

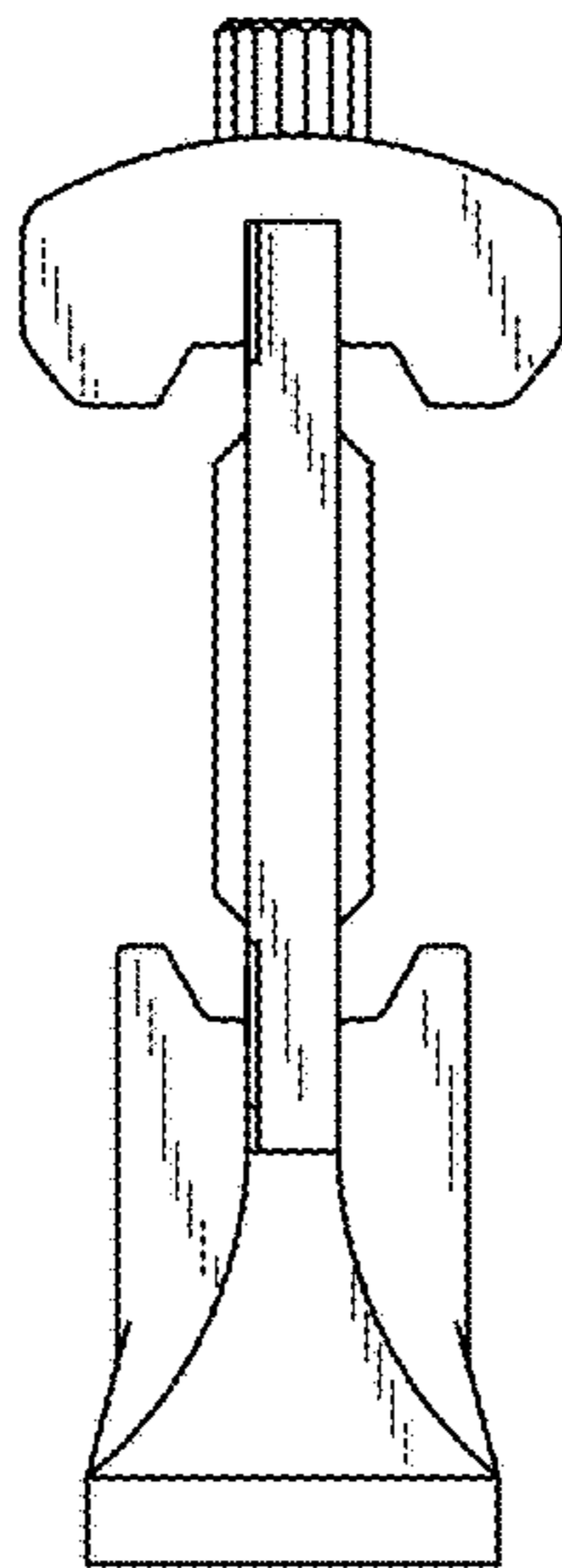


FIG. 7

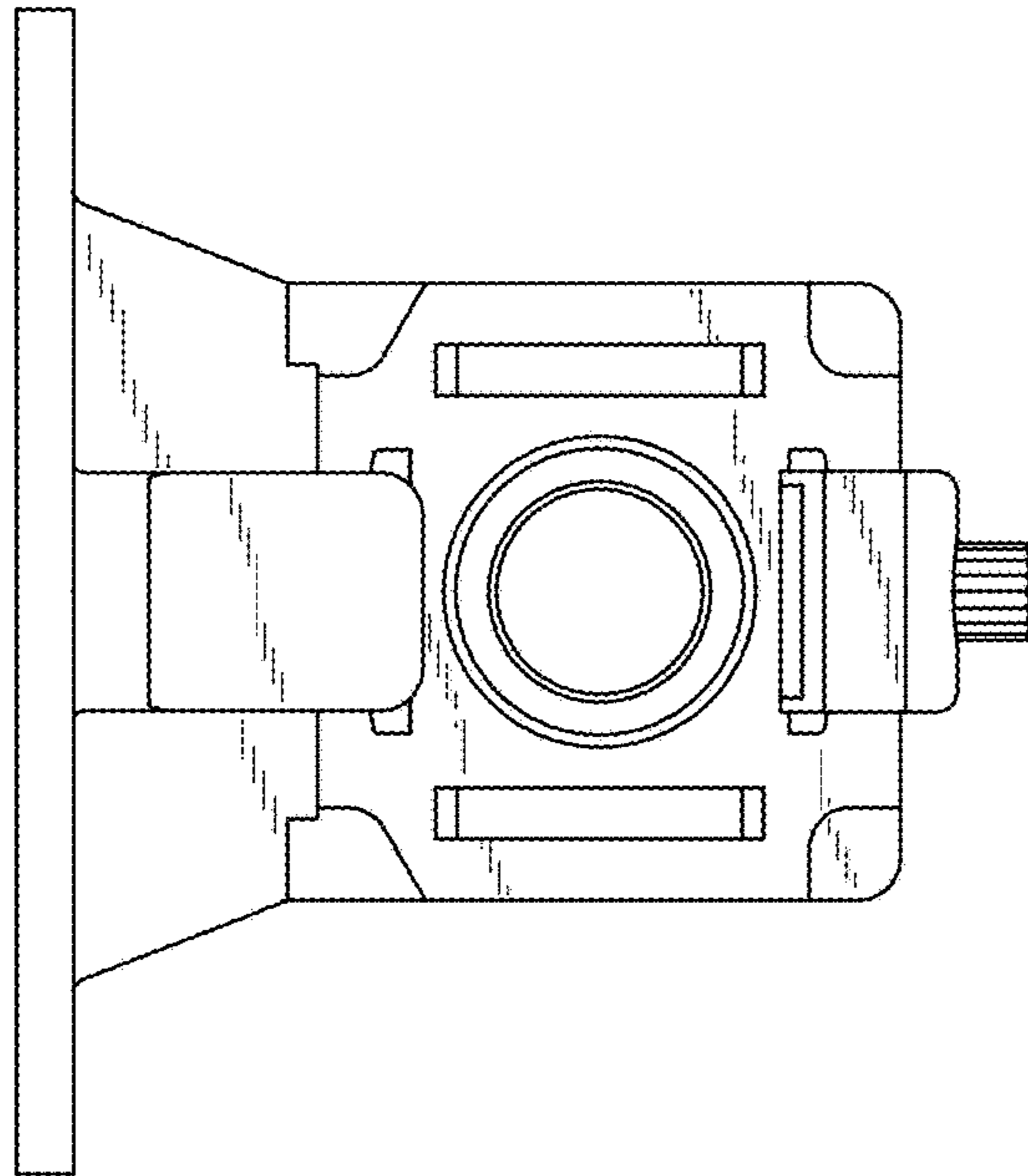


FIG. 8

