



US00D841430S

(12) **United States Design Patent**
Pine

(10) **Patent No.:** **US D841,430 S**

(45) **Date of Patent:** **** *Feb. 26, 2019**

(54) **FASTENING STRAP**

(71) Applicant: **Synapco Industries Limited,**
Gracefield (NZ)

(72) Inventor: **David Garth Pine,** Gracefield (NZ)

(*) Notice: This patent is subject to a terminal disclaimer.

(**) Term: **15 Years**

(21) Appl. No.: **29/609,559**

(22) Filed: **Jun. 30, 2017**

(30) **Foreign Application Priority Data**

Feb. 16, 2017 (NZ) 422698

(51) **LOC (11) Cl.** **08-08**

(52) **U.S. Cl.**
USPC **D8/349**

(58) **Field of Classification Search**
USPC D8/60, 61, 77, 82, 342, 349, 354, 355,
D8/356, 367, 382, 396, 499
CPC B65H 75/28; A43C 1/02; B65D 45/02;
B65F 1/1615; B65F 1/16; B65F 1/1646;
B60D 1/18; B60P 7/0823
See application file for complete search history.

(56) **References Cited**

U.S. PATENT DOCUMENTS

D424,921 S * 5/2000 Axelsson D8/394
D426,458 S * 6/2000 Axelsson D8/394
D460,734 S * 7/2002 Carlson D12/223
D513,973 S * 1/2006 Cheung D8/394
8,261,416 B2 * 9/2012 Rothbaum F16G 11/00
206/320
D672,230 S * 12/2012 Laverack D8/396

D686,909 S * 7/2013 Frydlewski D2/978
D719,823 S * 12/2014 Frydlewski D8/396
D786,055 S * 5/2017 Sola D2/978
9,820,535 B2 * 11/2017 Frydlewski A44B 17/0064
D813,140 S * 3/2018 Stent D12/223
D814,906 S * 4/2018 Pine D8/349
D815,510 S * 4/2018 Often D8/347
D818,350 S * 5/2018 Dencek D8/356
2014/0262864 A1 * 9/2014 Rothbaum H01F 7/0263
206/223

* cited by examiner

Primary Examiner — Jennifer Rivard

Assistant Examiner — Alison M Ofstun

(74) *Attorney, Agent, or Firm* — Greenspoon Marder
LLP; Todd J. Langford

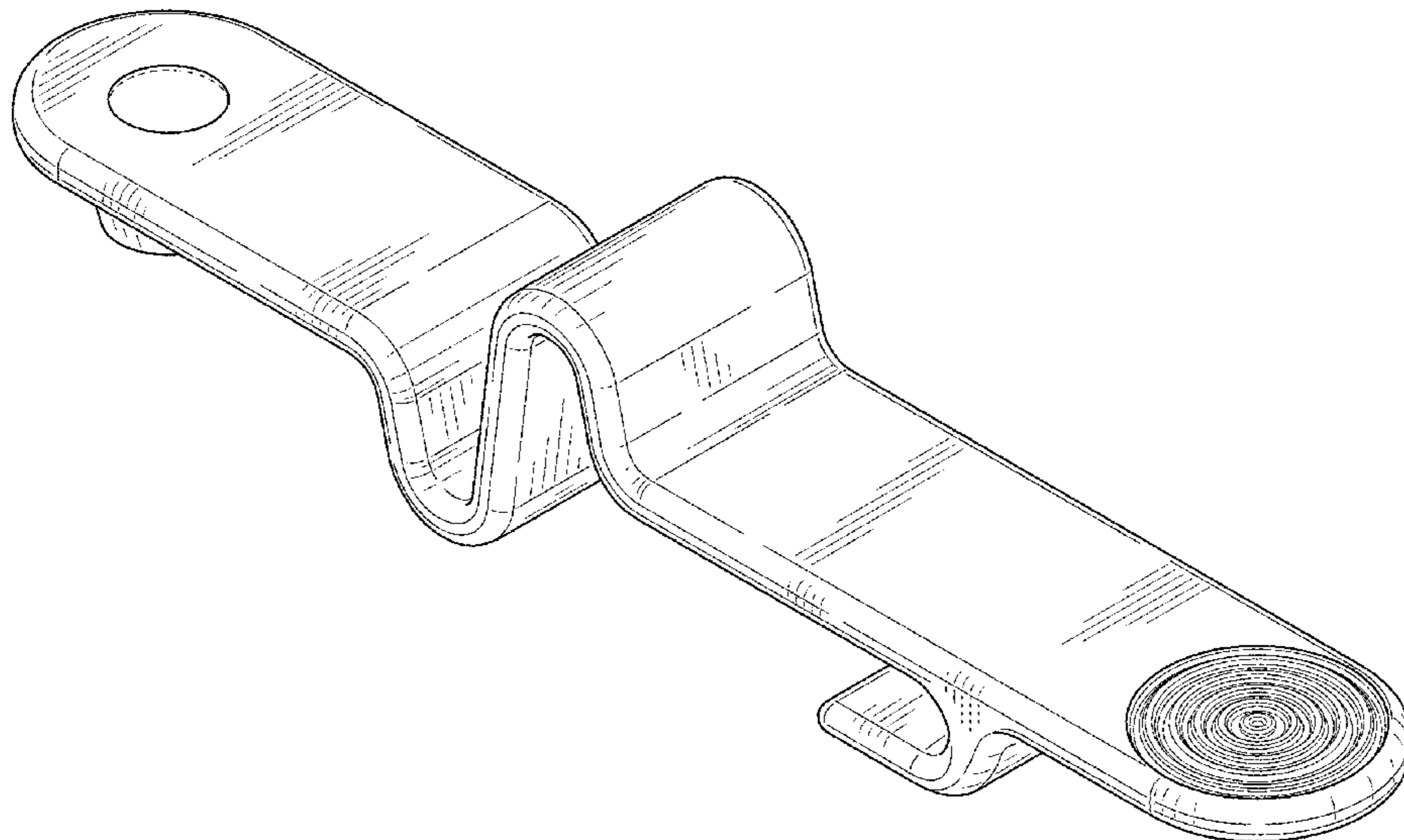
(57) **CLAIM**

The ornamental design for a fastening strap, as shown and described.

DESCRIPTION

FIG. 1 is a perspective view of a fastening strap showing my new design;
FIG. 2 is a right side view thereof;
FIG. 3 is a left side view thereof;
FIG. 4 is a front view thereof;
FIG. 5 is a back view thereof;
FIG. 6 is a top view thereof;
FIG. 7 is a bottom view thereof; and,
FIG. 8 is another perspective view thereof.
The broken lines are for the purpose of illustrating portions of the fastening strap that form no part of the claimed design. The dot-dash lines represent boundaries of the claimed design and form no part thereof.

1 Claim, 5 Drawing Sheets



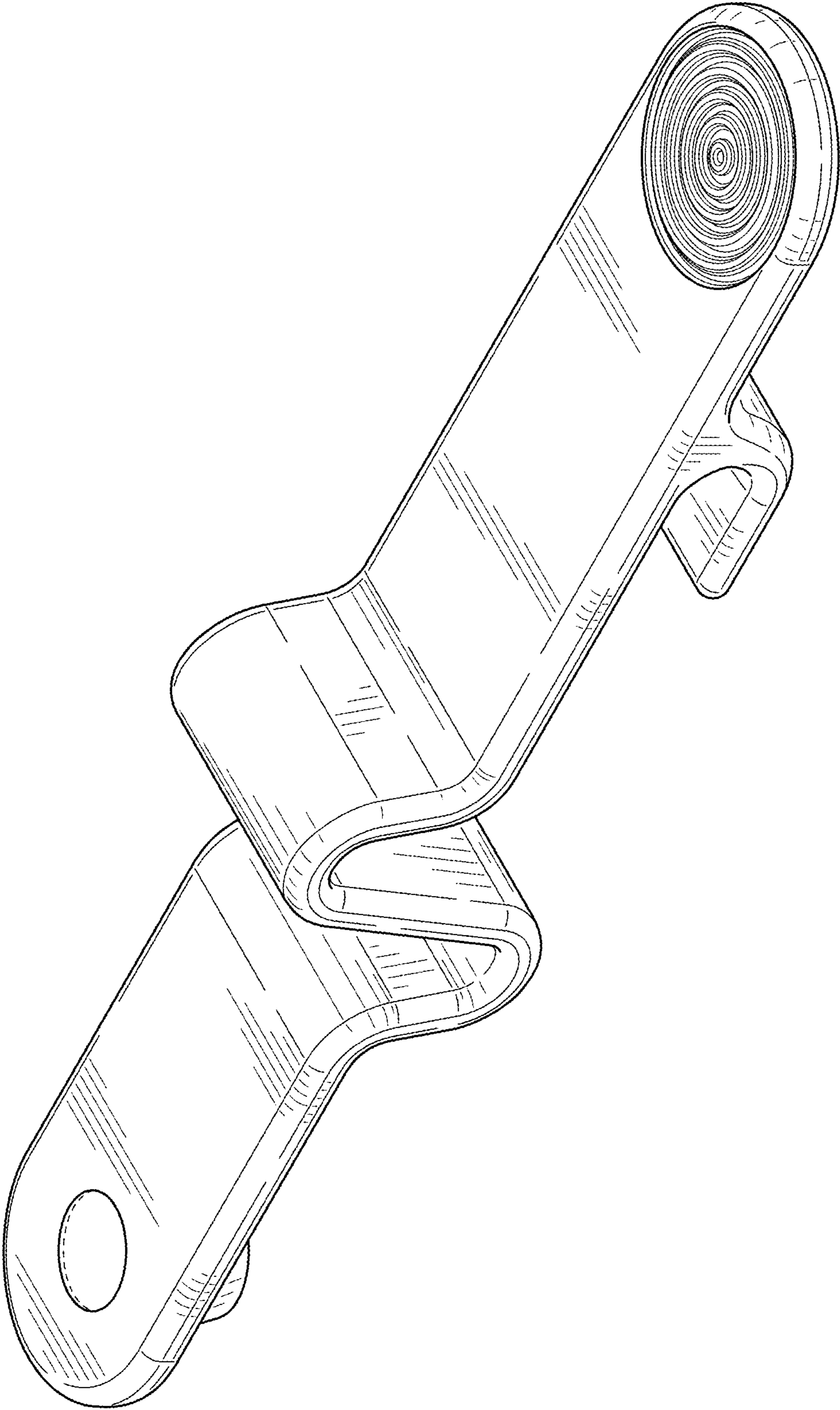


FIG. 1

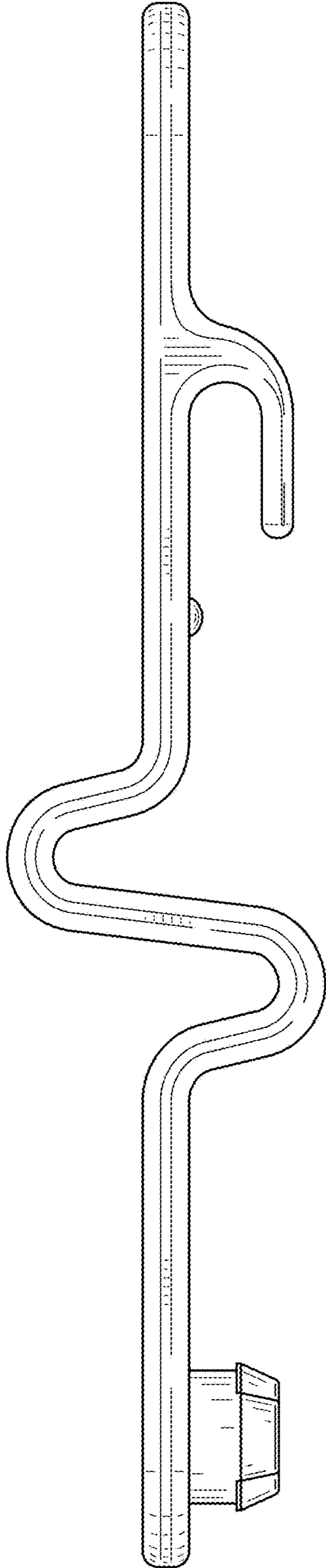


FIG. 2

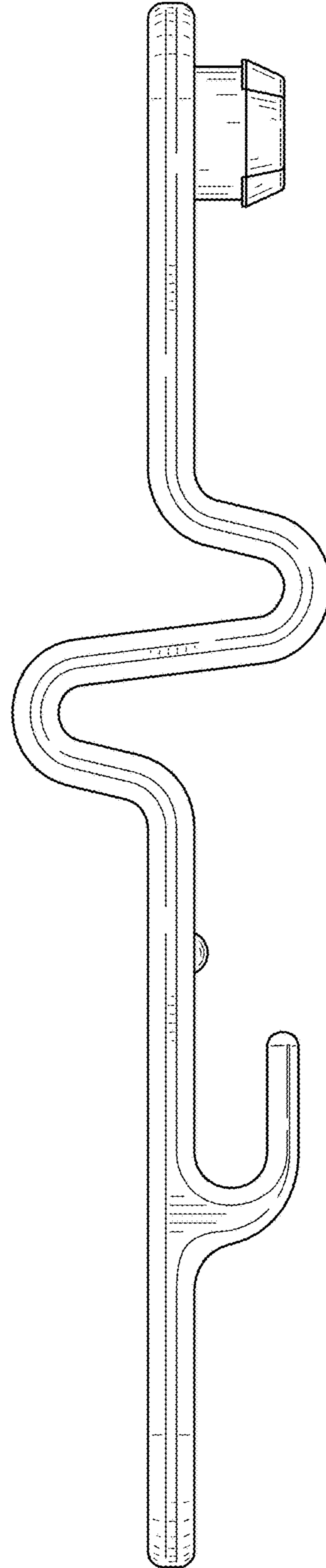


FIG. 3

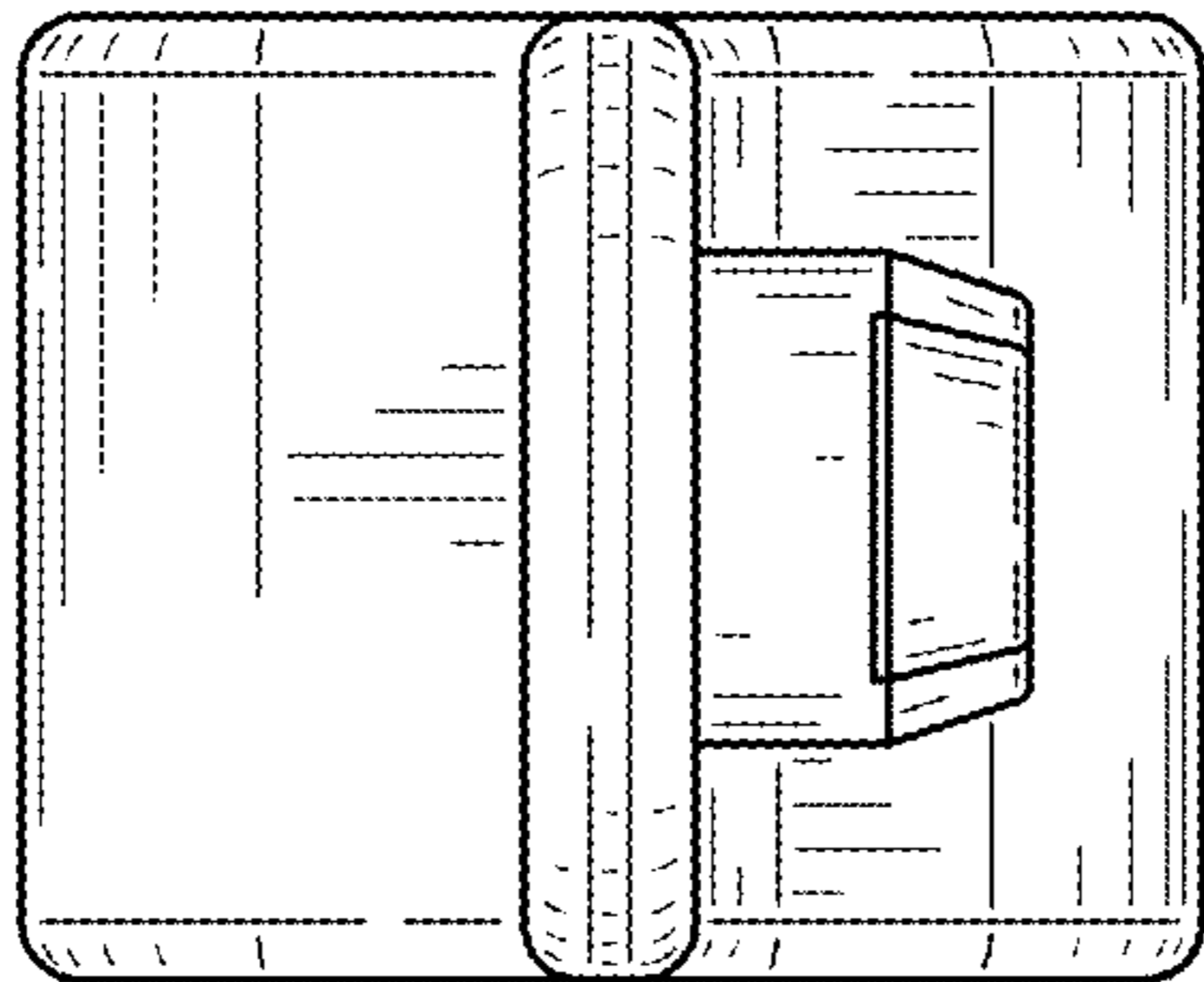


FIG. 5

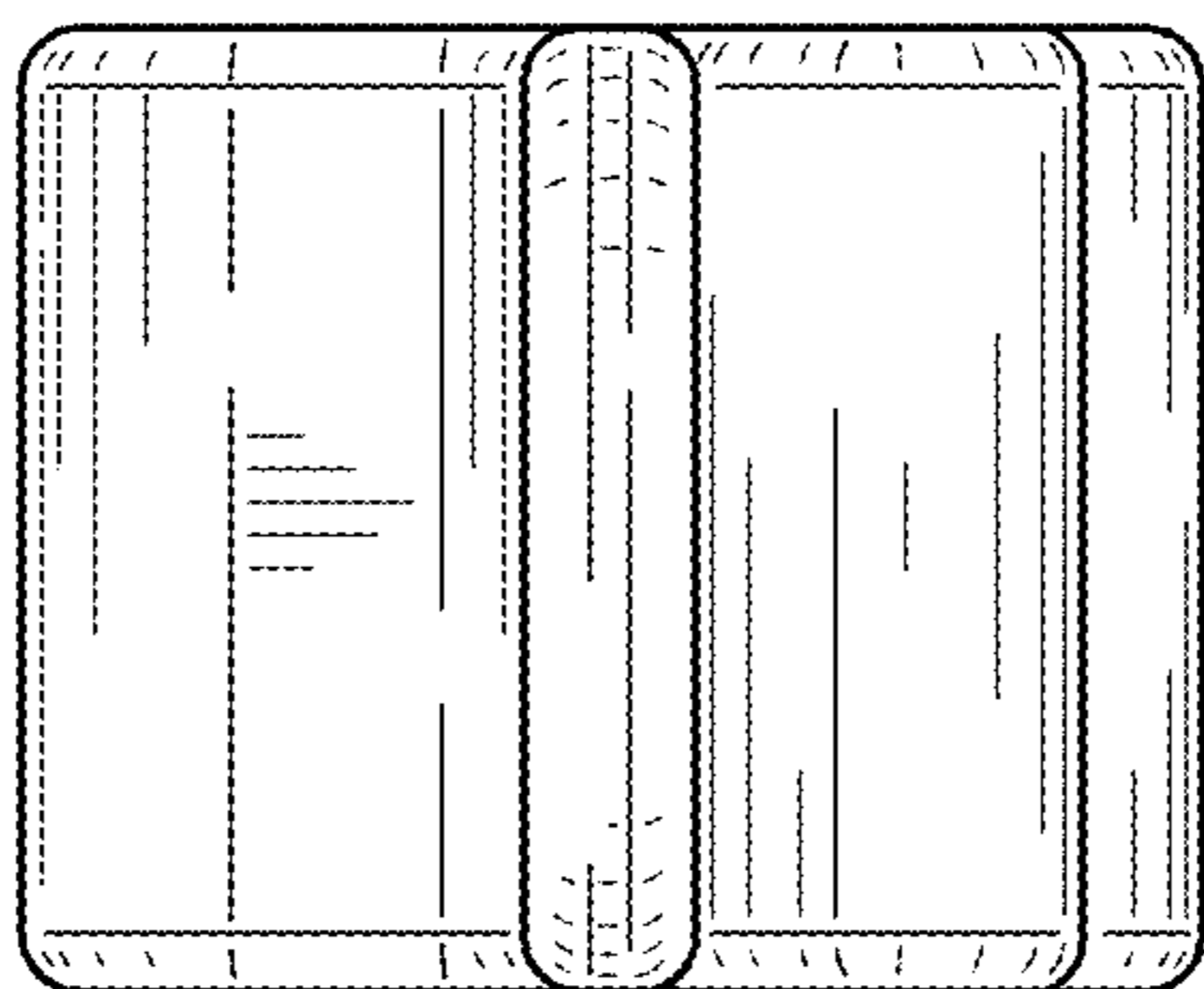


FIG. 4

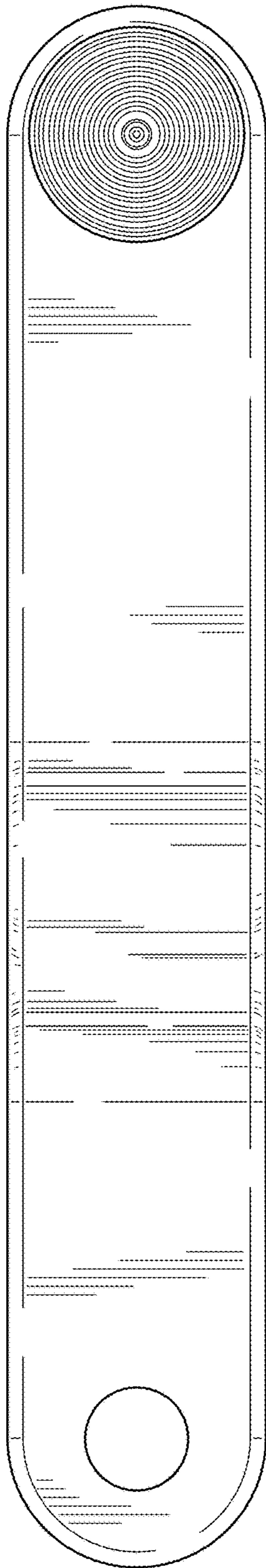


FIG. 6

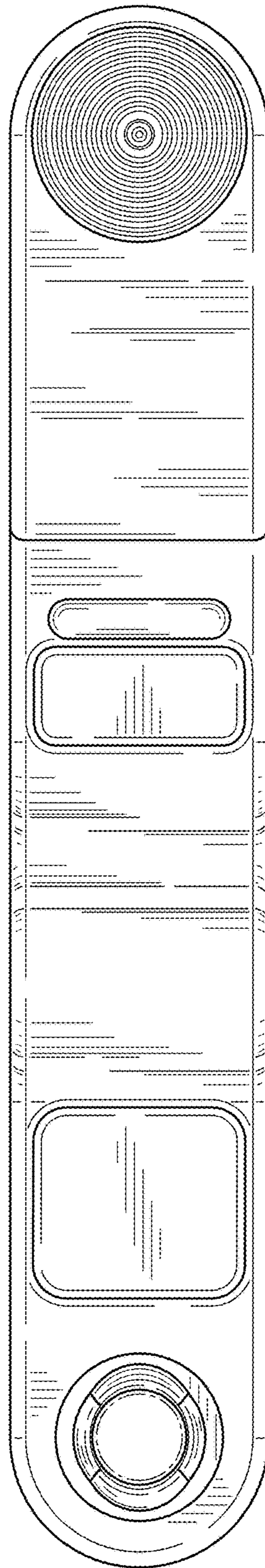


FIG. 7

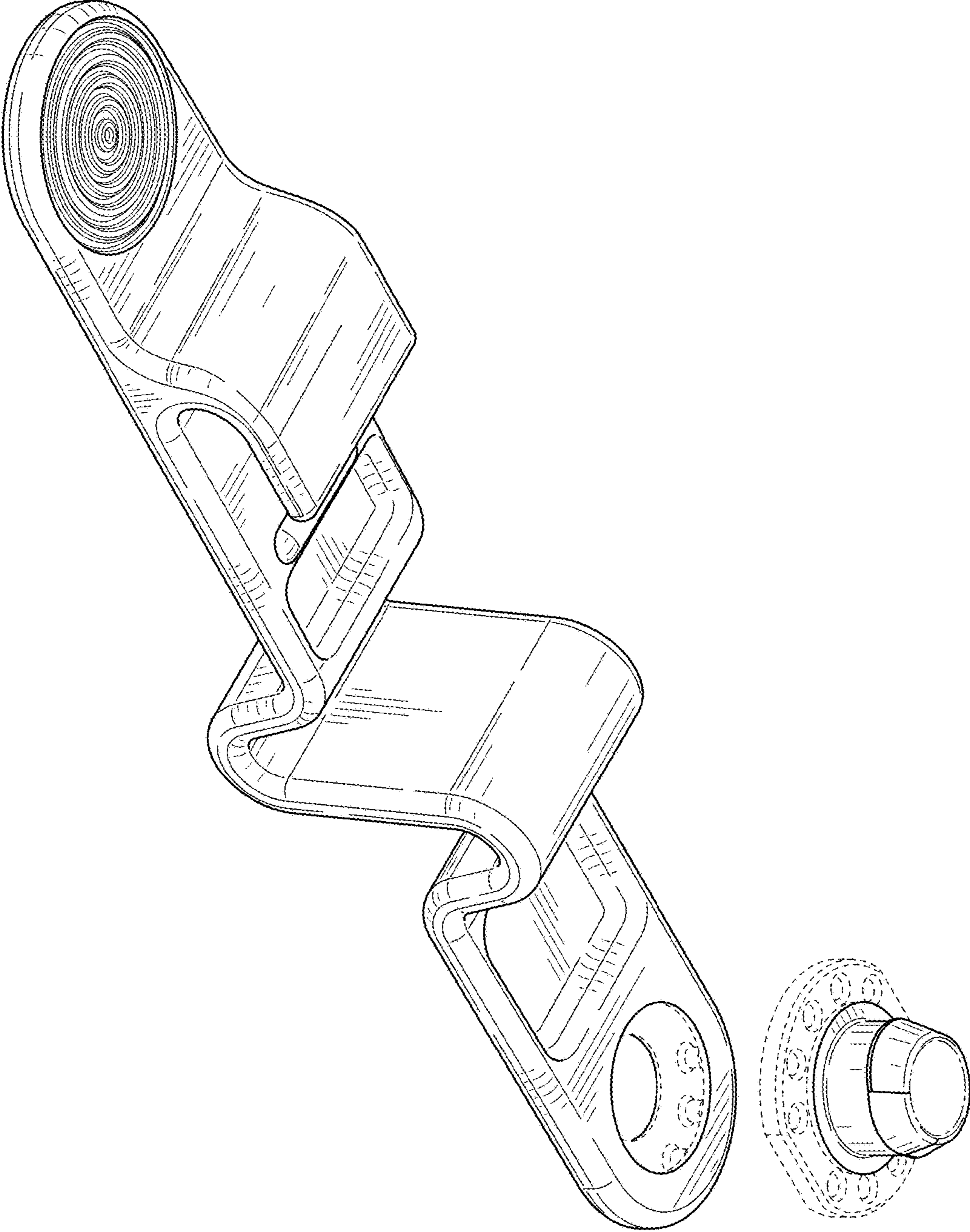


FIG. 8