



US00D841429S

(12) **United States Design Patent**  
**Fryer**

(10) **Patent No.:** **US D841,429 S**

(45) **Date of Patent:** **\*\* Feb. 26, 2019**

(54) **SHUTTLE FOR A SHUTTER DOOR SYSTEM**

(71) Applicant: **Albert Jagger Limited**, West Midlands (GB)

(72) Inventor: **Terry Fryer**, Walsall (GB)

(73) Assignee: **ALBERT JAGGER LIMITED**, West Midlands (GB)

(\*\*) Term: **15 Years**

(21) Appl. No.: **29/603,492**

(22) Filed: **May 10, 2017**

(30) **Foreign Application Priority Data**

Nov. 15, 2016 (EM) ..... 003463728-0001

(51) **LOC (11) Cl.** ..... **08-07**

(52) **U.S. Cl.**  
USPC ..... **D8/343; D8/330**

(58) **Field of Classification Search**

USPC ..... D8/330, 331, 339, 343, 344, 349, 354, D8/377, 382, 400; 70/57, 51, 52, 141, 70/142, 230, 431, 465, 466; 292/32, 292/259 A, 290, 292, 340, DIG. 20, 292/DIG. 53, DIG. 65

CPC ..... E06B 7/096; E06B 7/08; E06B 7/086  
See application file for complete search history.

(56) **References Cited**

**U.S. PATENT DOCUMENTS**

5,974,838 A \* 11/1999 Uhm ..... C03B 37/0253  
65/379  
6,145,251 A \* 11/2000 Ricci ..... E06B 7/096  
49/74.1

6,536,162 B2 \* 3/2003 LaMay ..... E06B 7/086  
403/383

6,701,669 B1 \* 3/2004 Yorgason ..... E06B 7/096  
49/82.1

6,901,701 B2 \* 6/2005 Lee ..... E06B 7/096  
49/74.1

D564,337 S \* 3/2008 Brojanac ..... D13/178

D620,340 S \* 7/2010 Liljeqvist ..... D8/330

D725,991 S \* 4/2015 Nasr ..... D8/330

D772,693 S \* 11/2016 Beadle ..... D8/330

D773,280 S \* 12/2016 Rathman ..... D8/330

D774,870 S \* 12/2016 Nasr ..... D8/330

D789,772 S \* 6/2017 Kolonia ..... D8/343

\* cited by examiner

*Primary Examiner* — Elizabeth J Oswecki

(74) *Attorney, Agent, or Firm* — Levenfeld Pearlstein, LLC

(57) **CLAIM**

The ornamental design for a shuttle for a shutter door system, as shown and described.

**DESCRIPTION**

FIG. 1 is a rear, left perspective view of a shuttle for a shutter door system showing my new design;

FIG. 2 is a front view thereof;

FIG. 3 is a rear view thereof;

FIG. 4 is a top view thereof;

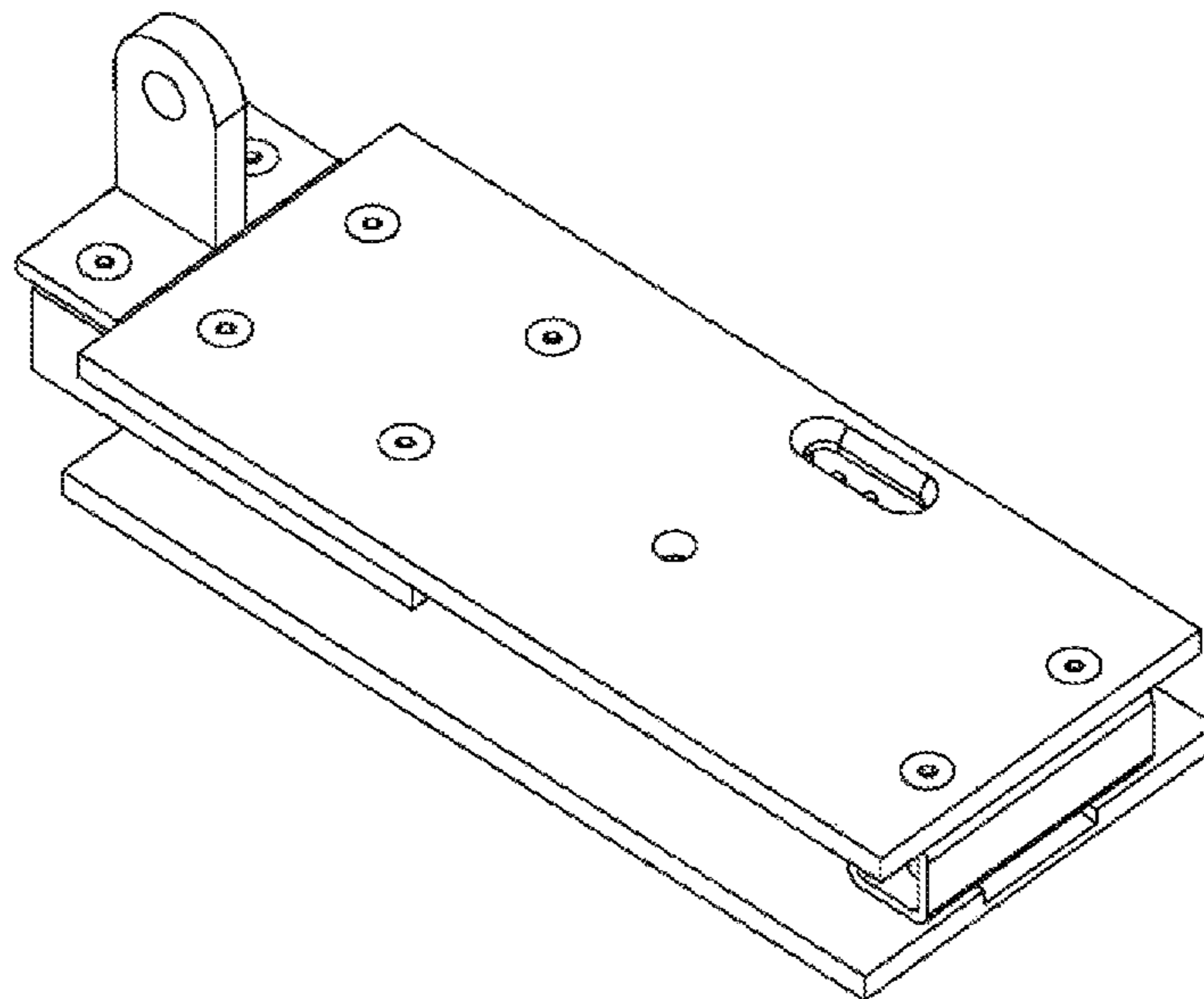
FIG. 5 is a bottom view thereof;

FIG. 6 is a side view thereof as seen from the left-hand side of FIG. 2; and,

FIG. 7 is a side view thereof as seen from the right-hand side of FIG. 2.

Portions of the inside structures shown in broken lines in FIGS. 2, 3, 6 and 7 form no part of the claimed design.

**1 Claim, 3 Drawing Sheets**



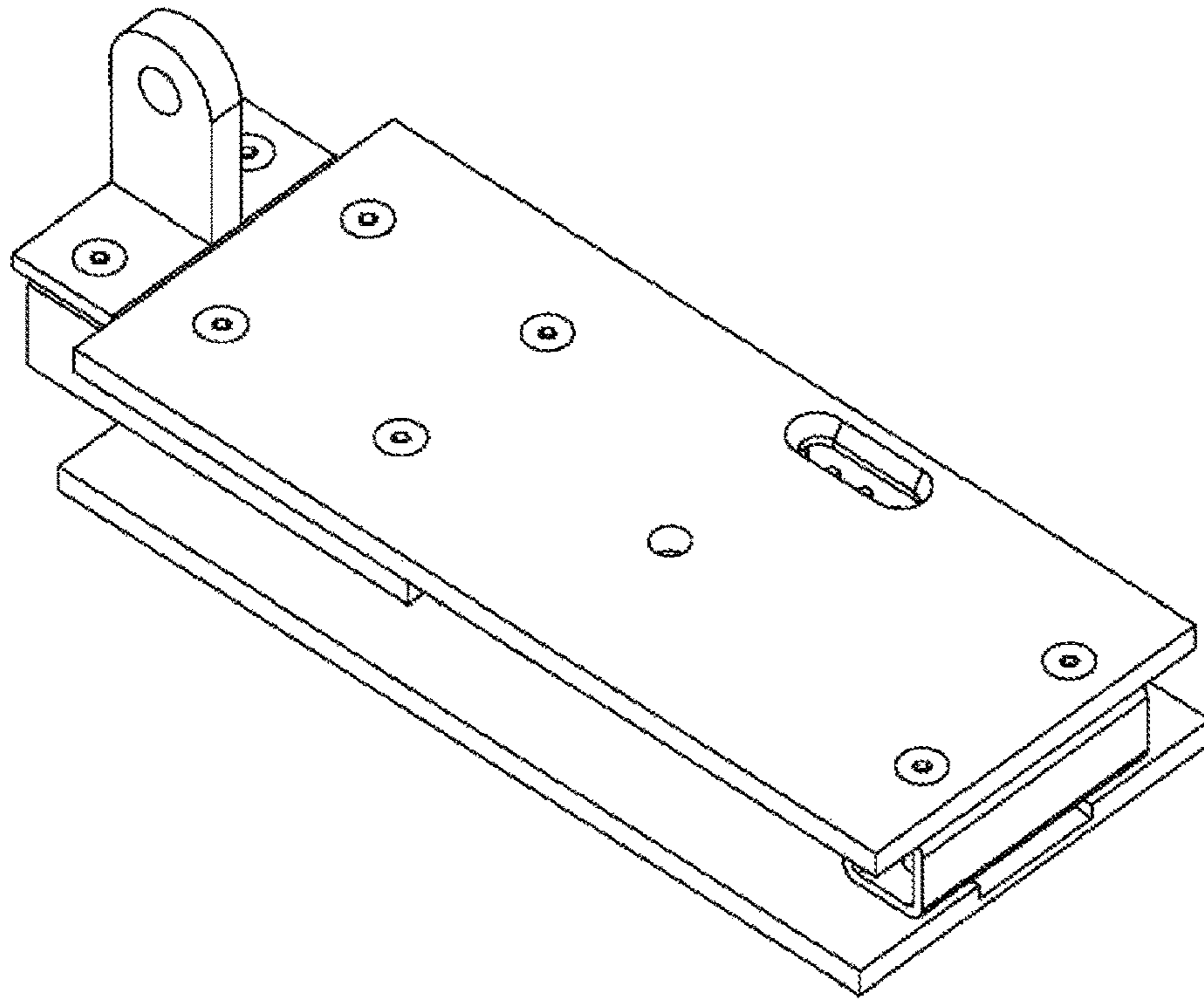


FIG. 1

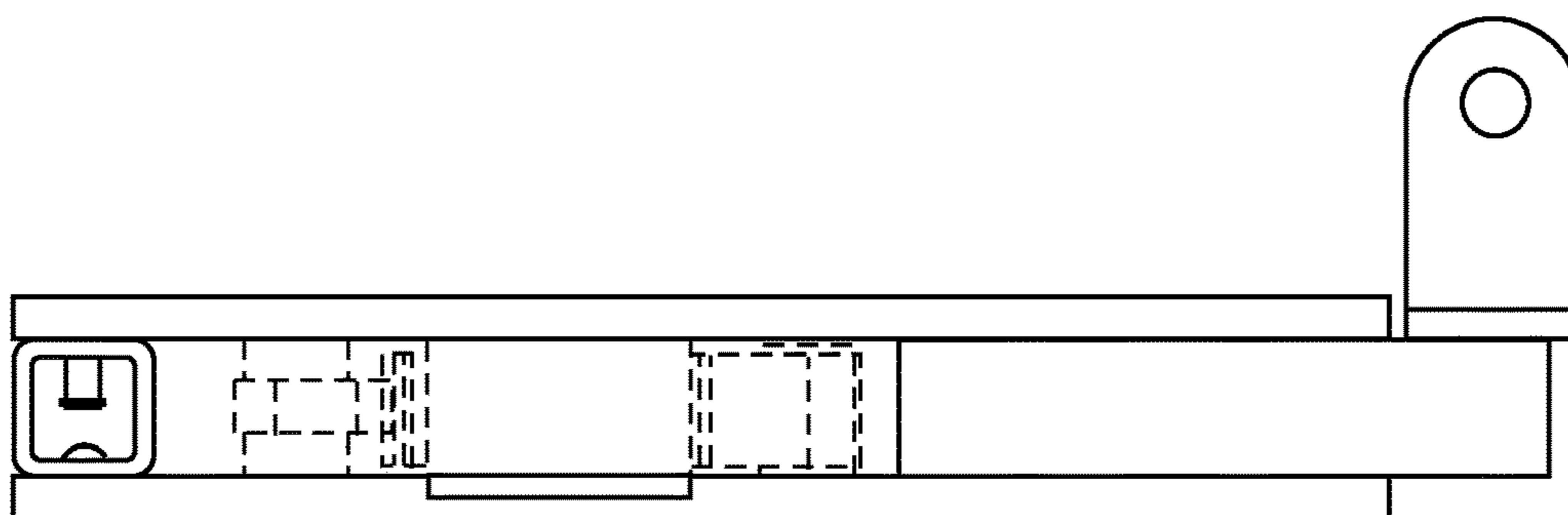


FIG. 2

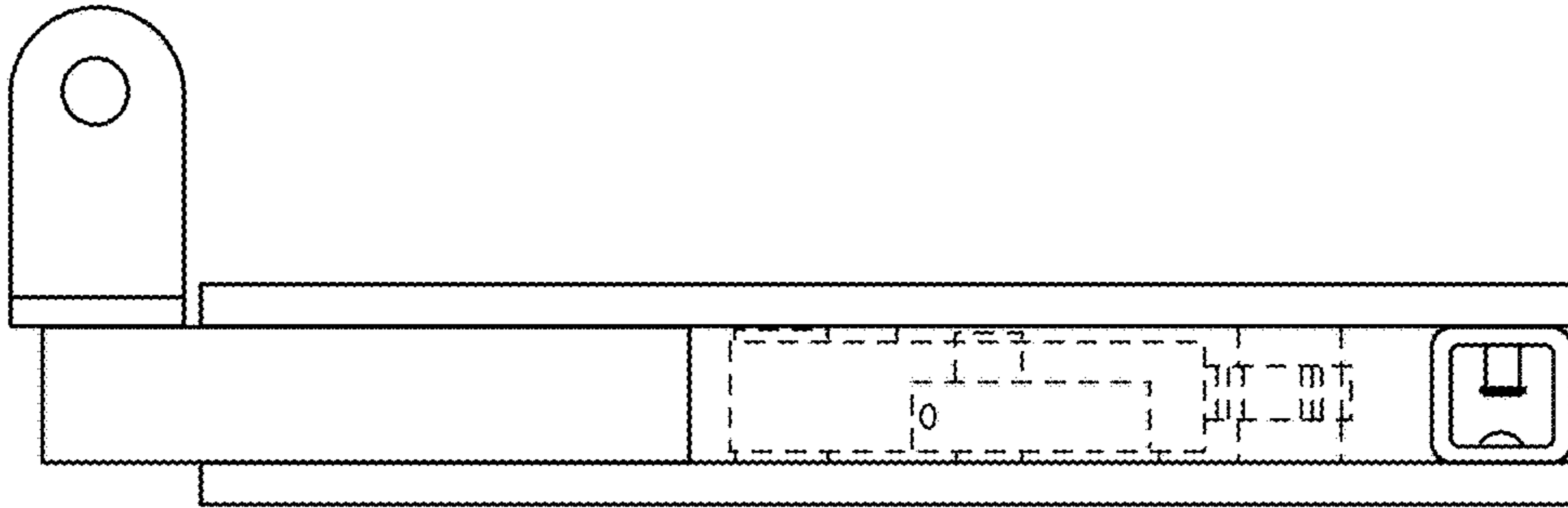


FIG. 3

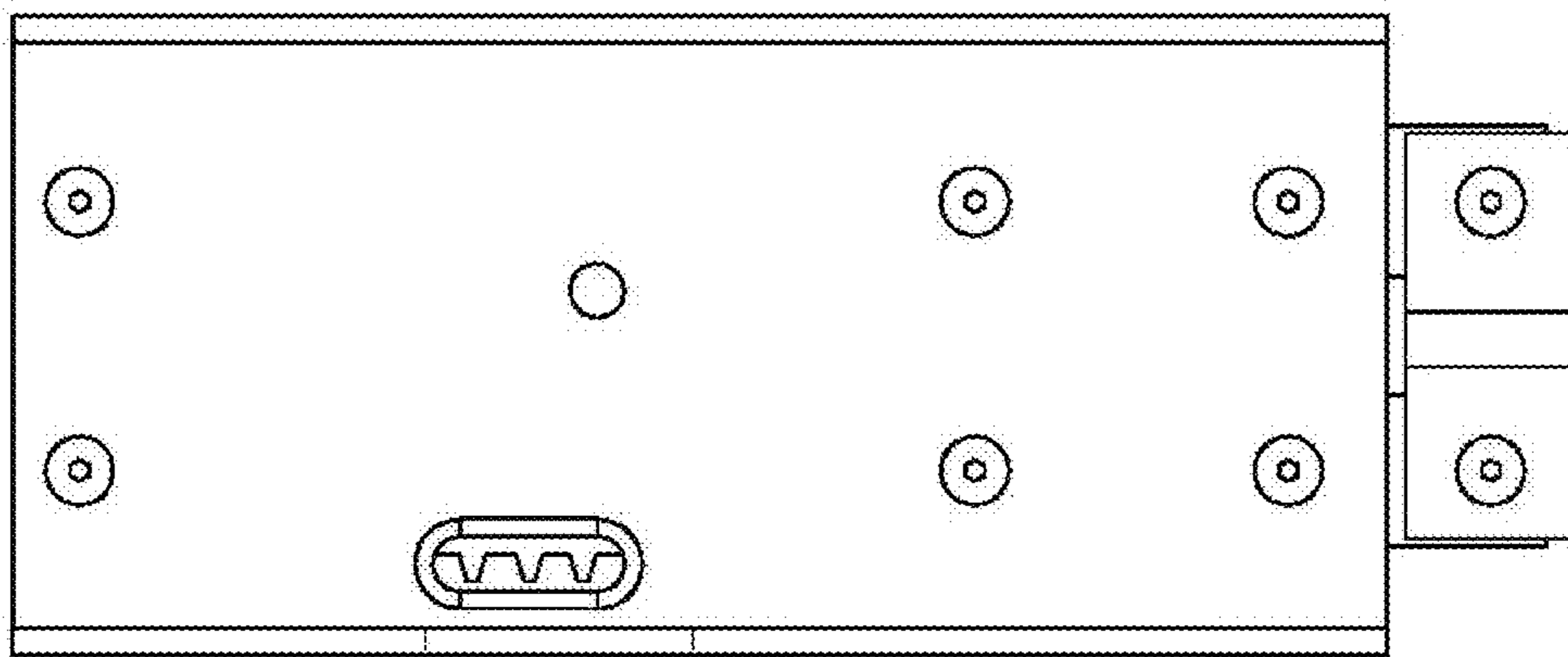


FIG. 4

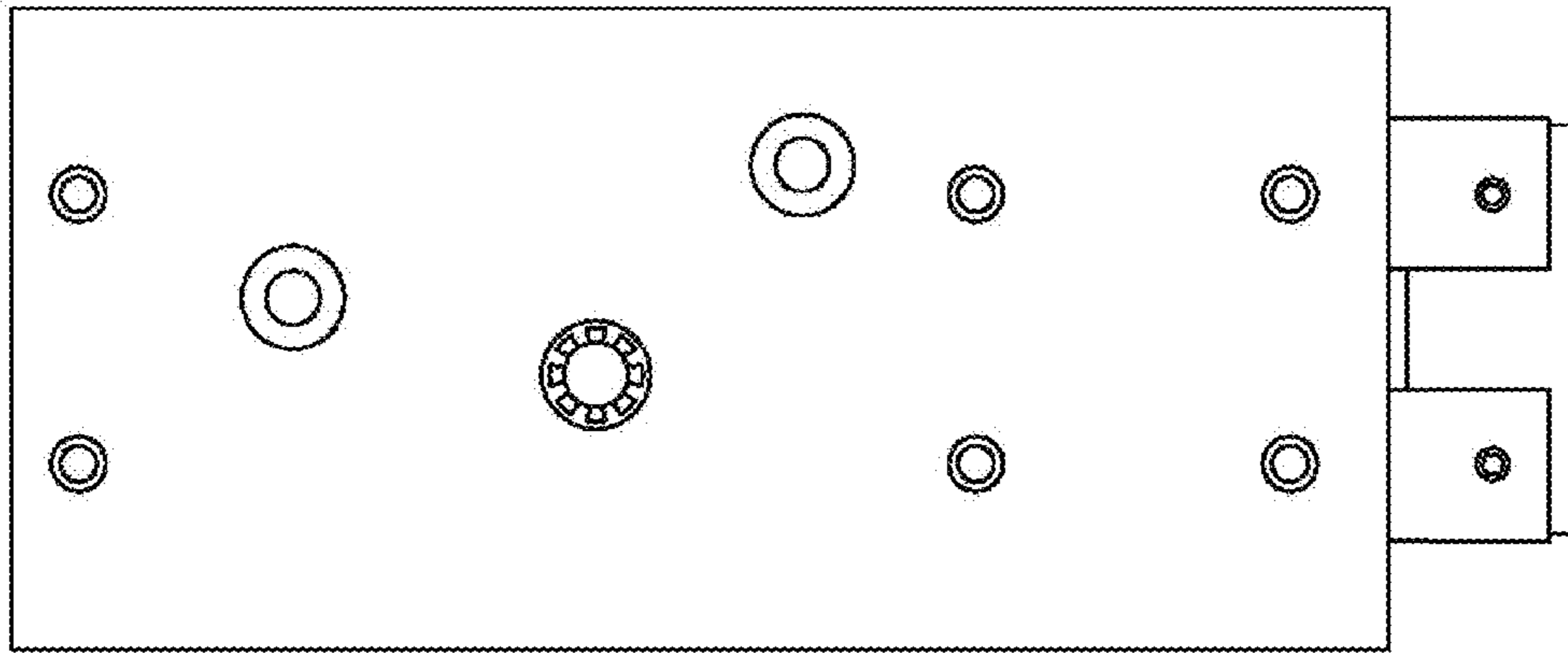


FIG. 5

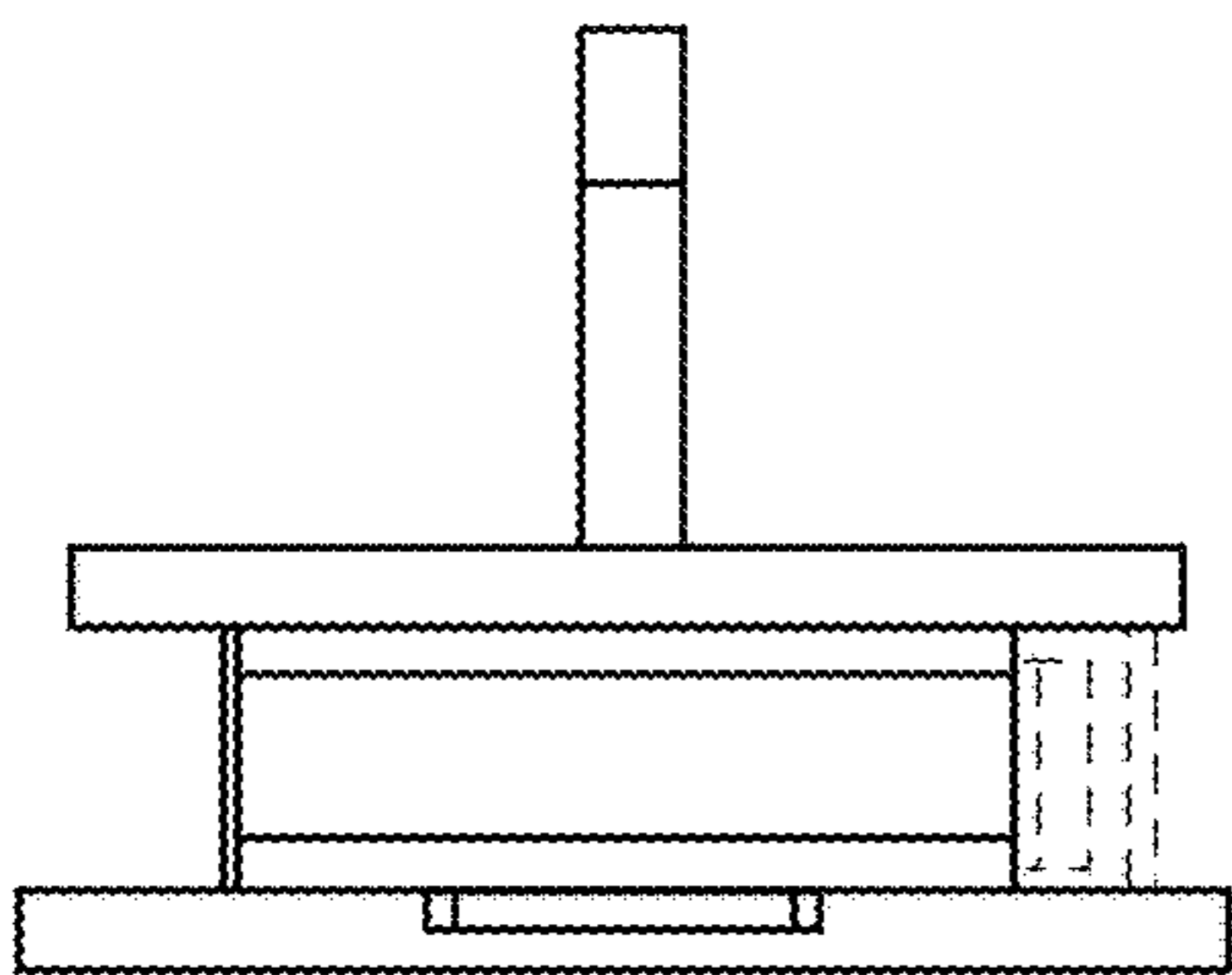


FIG. 6

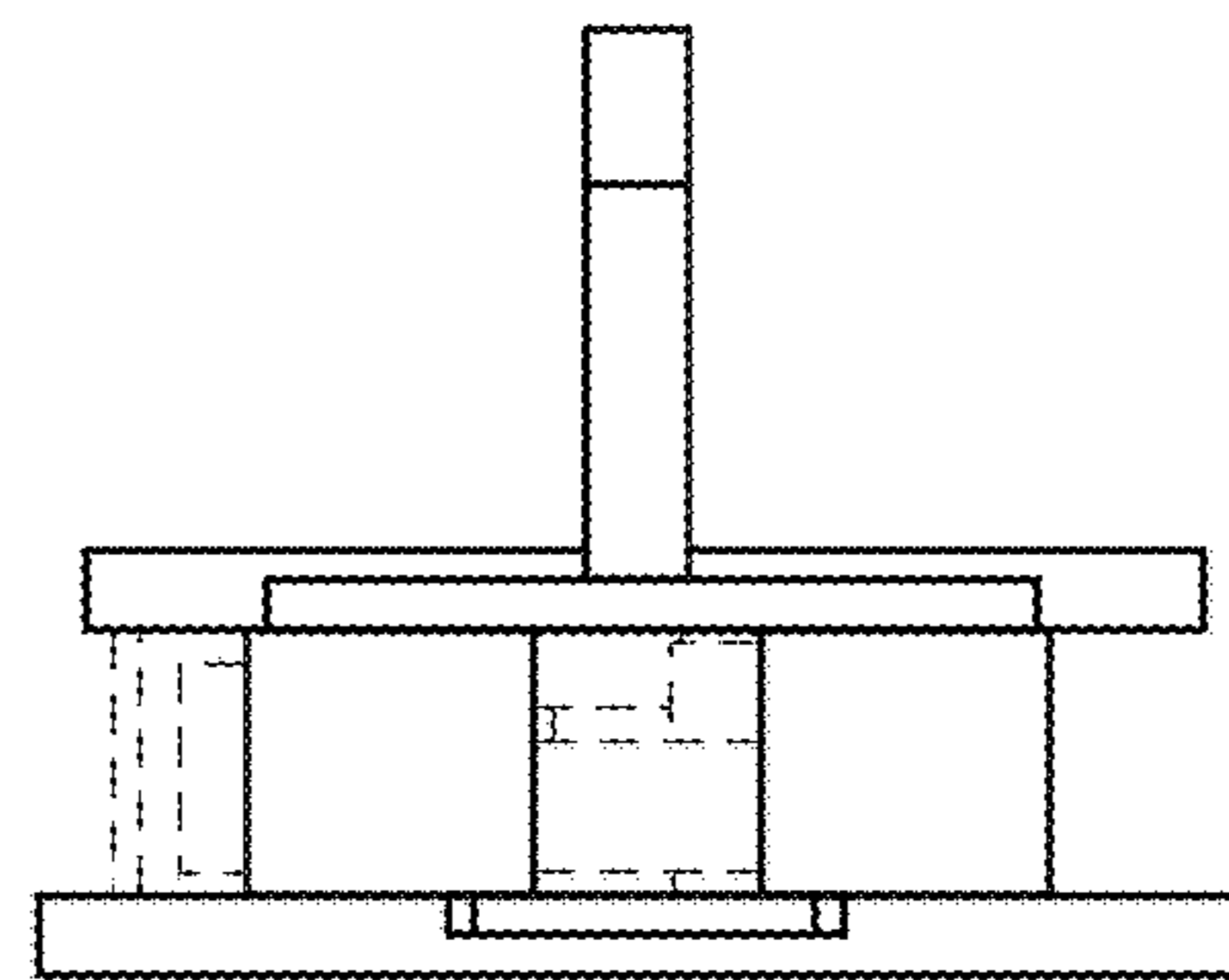


FIG. 7