



US00D841428S

(12) **United States Design Patent**  
**Escobar et al.**

(10) **Patent No.:** **US D841,428 S**

(45) **Date of Patent:** **\*\* Feb. 26, 2019**

(54) **VERTICAL DOOR HANDLE**

(71) Applicant: **Yale Security Inc.**, Monroe, NC (US)

(72) Inventors: **Liza Alcala Escobar**, Zapopan (MX);  
**Lee Griswold**, New Haven, CT (US);  
**David Nava**, Tlajomulco de Zuniga (MX)

(73) Assignee: **ASSA ABLOY RESIDENTIAL GROUP, INC.**, New Haven, CT (US)

(\*\*) Term: **15 Years**

(21) Appl. No.: **29/592,920**

(22) Filed: **Feb. 3, 2017**

(51) **LOC (11) Cl.** ..... **08-06**

(52) **U.S. Cl.**  
USPC ..... **D8/315**

(58) **Field of Classification Search**  
USPC ..... D8/315-320  
CPC . E05B 85/10; E05B 79/06; E05B 7/00; E05B 85/14; E05B 1/00; E06B 3/36; E05Y 2900/531; B25F 5/026; B62D 43/10  
See application file for complete search history.

(56) **References Cited**

**U.S. PATENT DOCUMENTS**

D199,667 S *	12/1964	Sanders	.....	D8/302
D202,583 S *	10/1965	Ross	.....	D16/206
D203,407 S *	1/1966	Crepinsek	.....	D15/89
D348,822 S *	7/1994	Donofrio	.....	D8/308
D349,228 S *	8/1994	Jans	.....	D8/308
D355,348 S *	2/1995	Jans	.....	D8/301
5,458,381 A *	10/1995	Dziuk	.....	E05B 7/00 292/336.3
D390,777 S *	2/1998	Peterson	.....	D8/400
D436,309 S *	1/2001	Mahlmann	.....	D8/301
6,574,921 B2 *	6/2003	Zimmermann	.....	E05B 7/00 49/324
D533,046 S *	12/2006	Donald	.....	D8/301
7,194,840 B2 *	3/2007	Zimmermann	.....	E05B 7/00 49/324

(Continued)

**OTHER PUBLICATIONS**

6400LN Series Monolock, posted at yalecommercial.com, posting date not given, [online], [site visited Apr. 17, 2018]. Available from Internet, URL: <https://www.yalecommercial.com/en/yale/yalecommercialcom/products/cylindrical-tubular-locks/lever-locksets/6400ln-series-monolock/> (Year: 2018).\*

(Continued)

*Primary Examiner* — George D. Kirschbaum

*Assistant Examiner* — Maria J Edwards

(74) *Attorney, Agent, or Firm* — DeLio, Peterson & Curcio, LLC; Thomas E. Ciesco

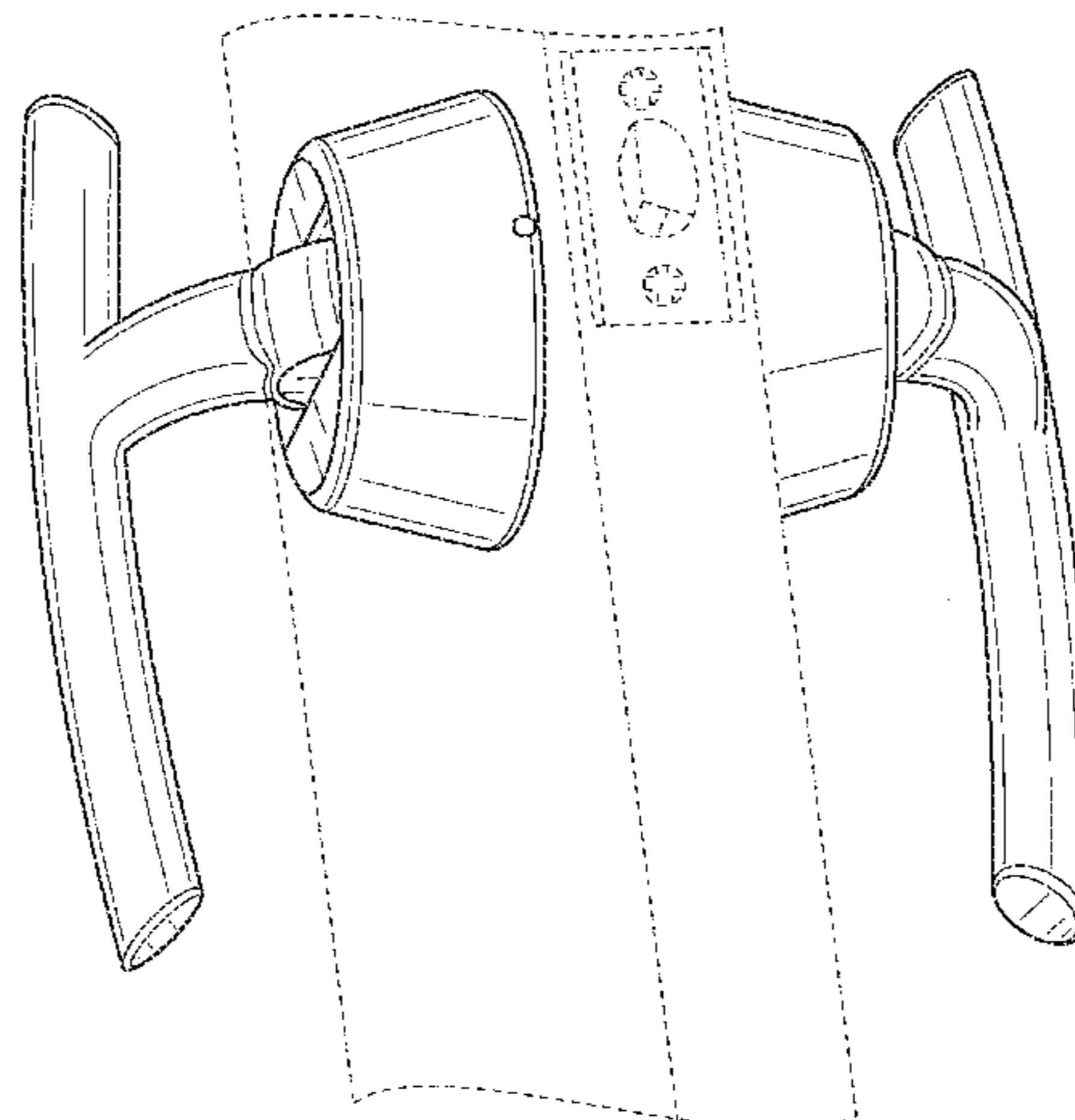
(57) **CLAIM**

The ornamental design for a vertical door handle, as shown and described.

**DESCRIPTION**

FIG. 1 is a right front top perspective view of a vertical door handle according to our design;  
FIG. 2 is a front elevational view of the vertical door handle shown in FIG. 1;  
FIG. 3 is a rear elevational view of the vertical door handle shown in FIG. 1;  
FIG. 4 is a right side elevational view of the vertical door handle shown in FIG. 1;  
FIG. 5 is a left side elevational view of the vertical door handle shown in FIG. 1;  
FIG. 6 is a bottom plan view of the vertical door handle shown in FIG. 1; and,  
FIG. 7 is a top plan view of the vertical door handle shown in FIG. 1.  
The broken lines illustrate environmental structure and form no part of the claimed design.

**1 Claim, 7 Drawing Sheets**



(56)

**References Cited**

U.S. PATENT DOCUMENTS

7,422,251 B2 *	9/2008	Tanimoto	.....	E05B 79/06 292/347
D584,594 S *	1/2009	Marko	.....	D8/301
D600,531 S *	9/2009	Marko	.....	D8/301
7,779,659 B2 *	8/2010	Tanimoto	.....	E05B 85/18 292/336.3
D740,642 S *	10/2015	Carlsson	.....	D8/301
D806,506 S *	1/2018	Shah	.....	D8/308
D814,265 S *	4/2018	Kasper	.....	D8/330

OTHER PUBLICATIONS

CRL Stainless Glass Mounted Crescent End-Mount Pull Handles, posted at amazon.com, posting date Nov. 8, 2011, [online], [site visited Apr. 17, 2018]. Available from Internet, URL: <https://www.amazon.com/Brushed-Stainless-Mounted-Crescent-End-Mount/dp/B006JCM5SI> (Year: 2011).\*

Stainless Steel Tube Door Lock Lever Handle, posted at alibaba.com, posting date not given, [online], [site visited Apr. 17, 2018]. Available from Internet, URL: [https://www.alibaba.com/product-detail/Stainless-Steel-Tube-door-lock-tube\\_60474217621.html](https://www.alibaba.com/product-detail/Stainless-Steel-Tube-door-lock-tube_60474217621.html) (Year: 2018).\*

Stainless Steel Tube Lever Barn Door Handles, posted at alibaba.com, posting date not given, [online], [site visited Apr. 17, 2018]. Available from Internet, URL: [https://www.alibaba.com/product-detail/Made-in-China-fancy-design-interior\\_60668221821.html](https://www.alibaba.com/product-detail/Made-in-China-fancy-design-interior_60668221821.html) (Year: 2018).\*

TR, posted at yalecommercial.com, posting date not given, [online], [site visited Apr. 17, 2018]. Available from Internet, URL: <https://www.yalecommercial.com/en/yale/yalecommercialcom/products/reflections/decorative-levers1/aventura/tr/> (Year: 2018).\*

Yale Locks PPVCRHPGF Retro Door Handle, posted at amazon.co.uk, posting date Jan. 24, 2011, [online], [site visited Apr. 17, 2018]. Available from Internet, URL: <https://www.amazon.co.uk/Yale-PPVCRHPGF-Handle-Polished-Finish/dp/B004J341JA> (Year: 2011).\*

\* cited by examiner

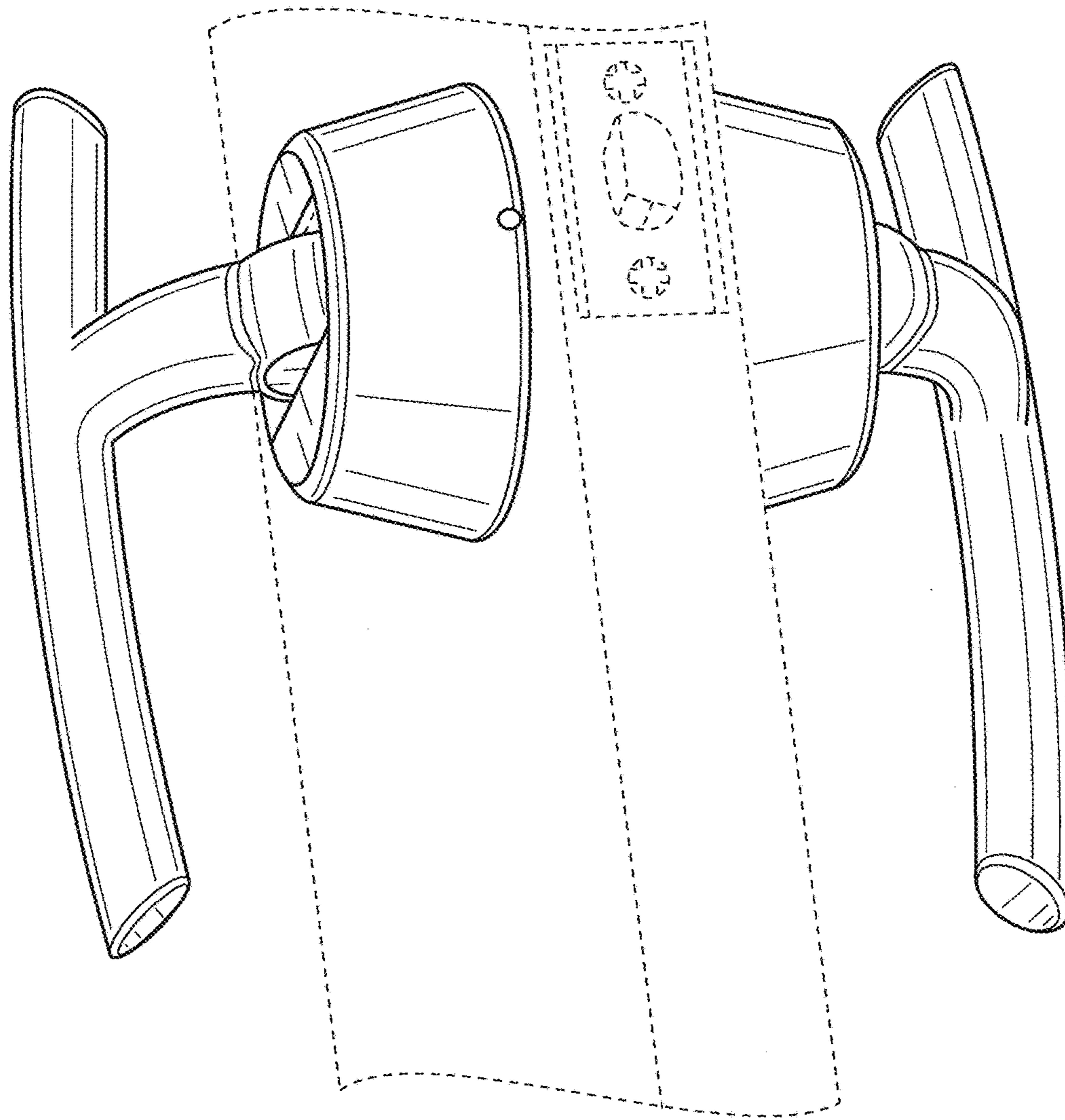


FIG. 1

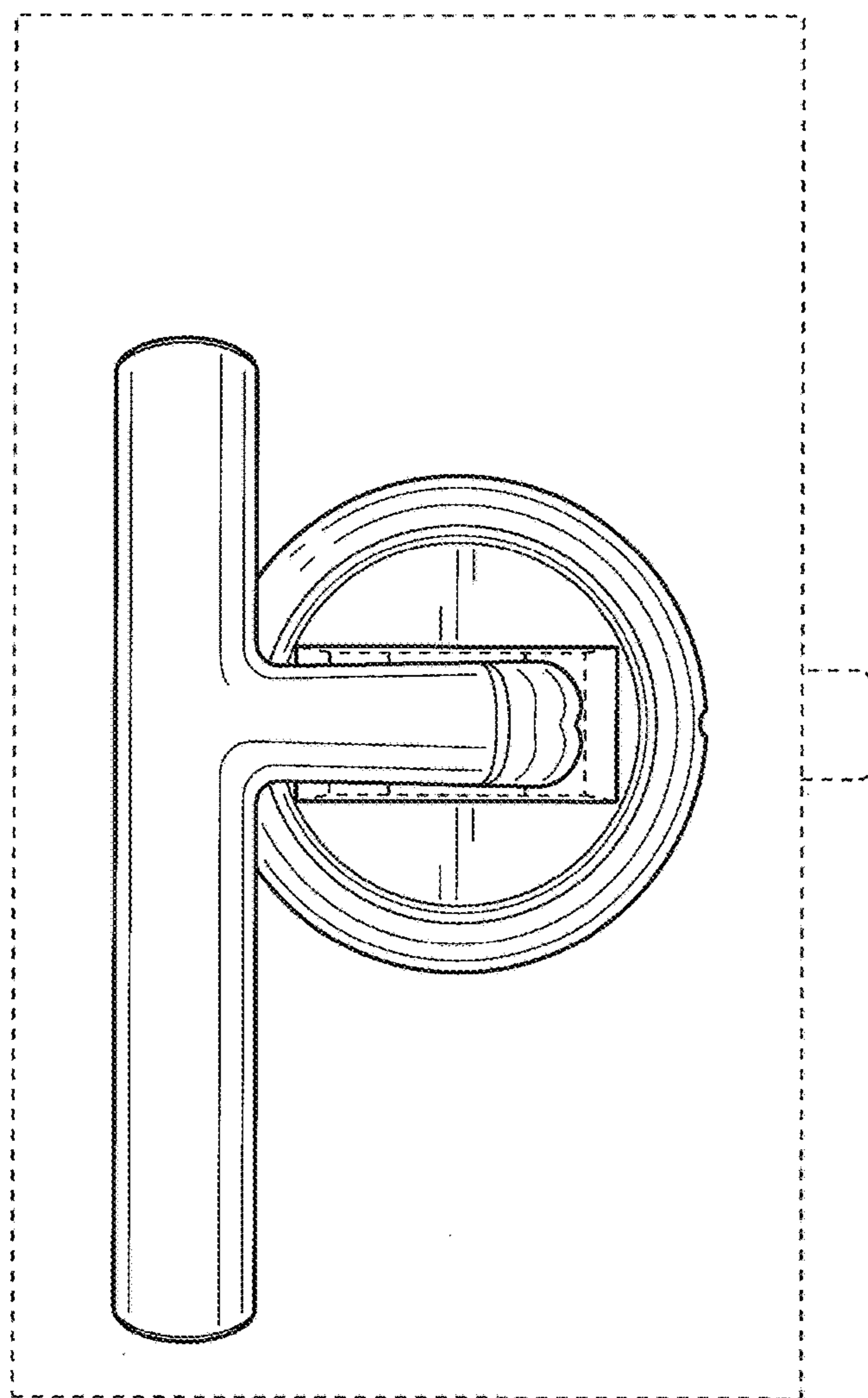


FIG. 2



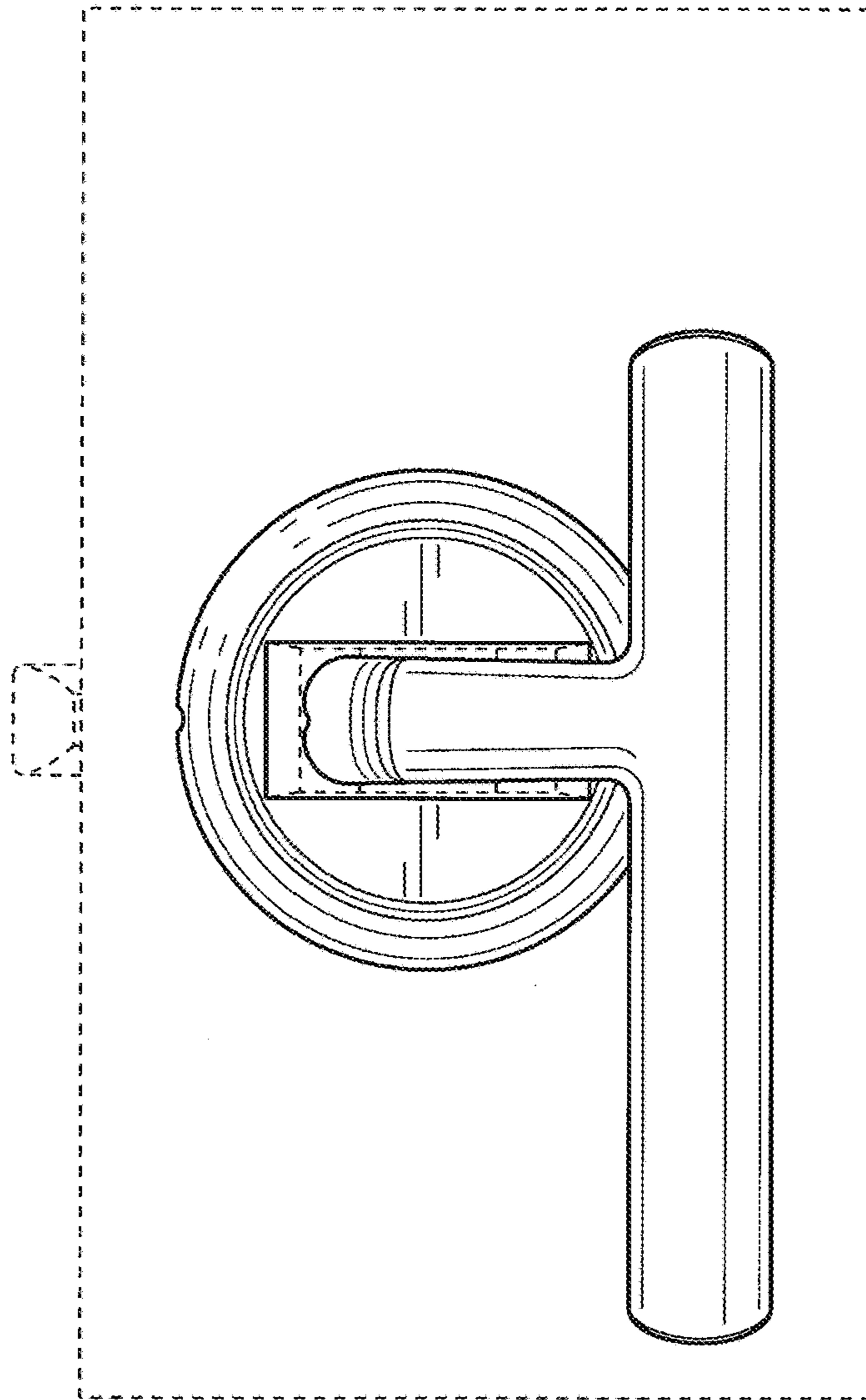


FIG. 3

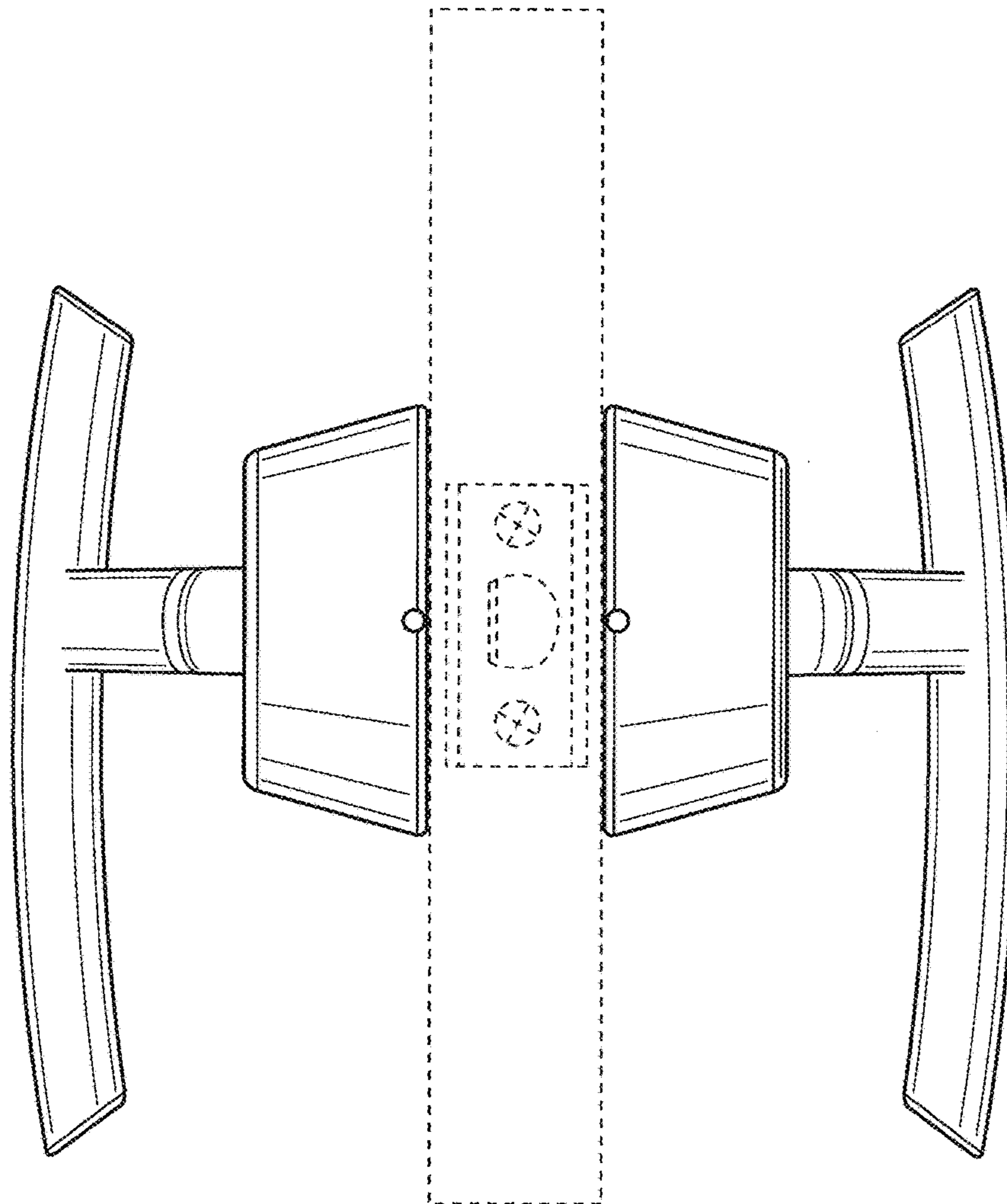


FIG. 4

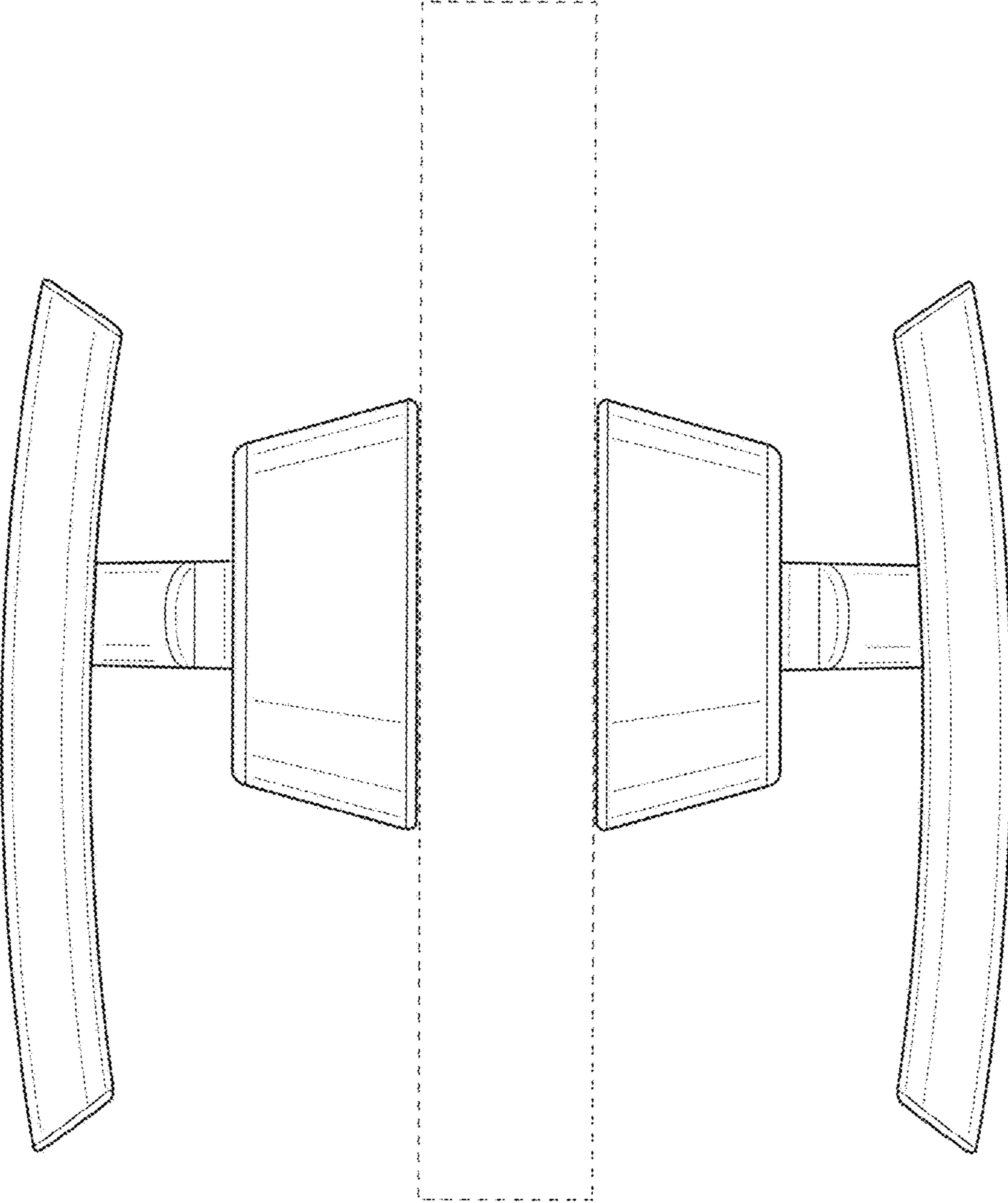


FIG. 5

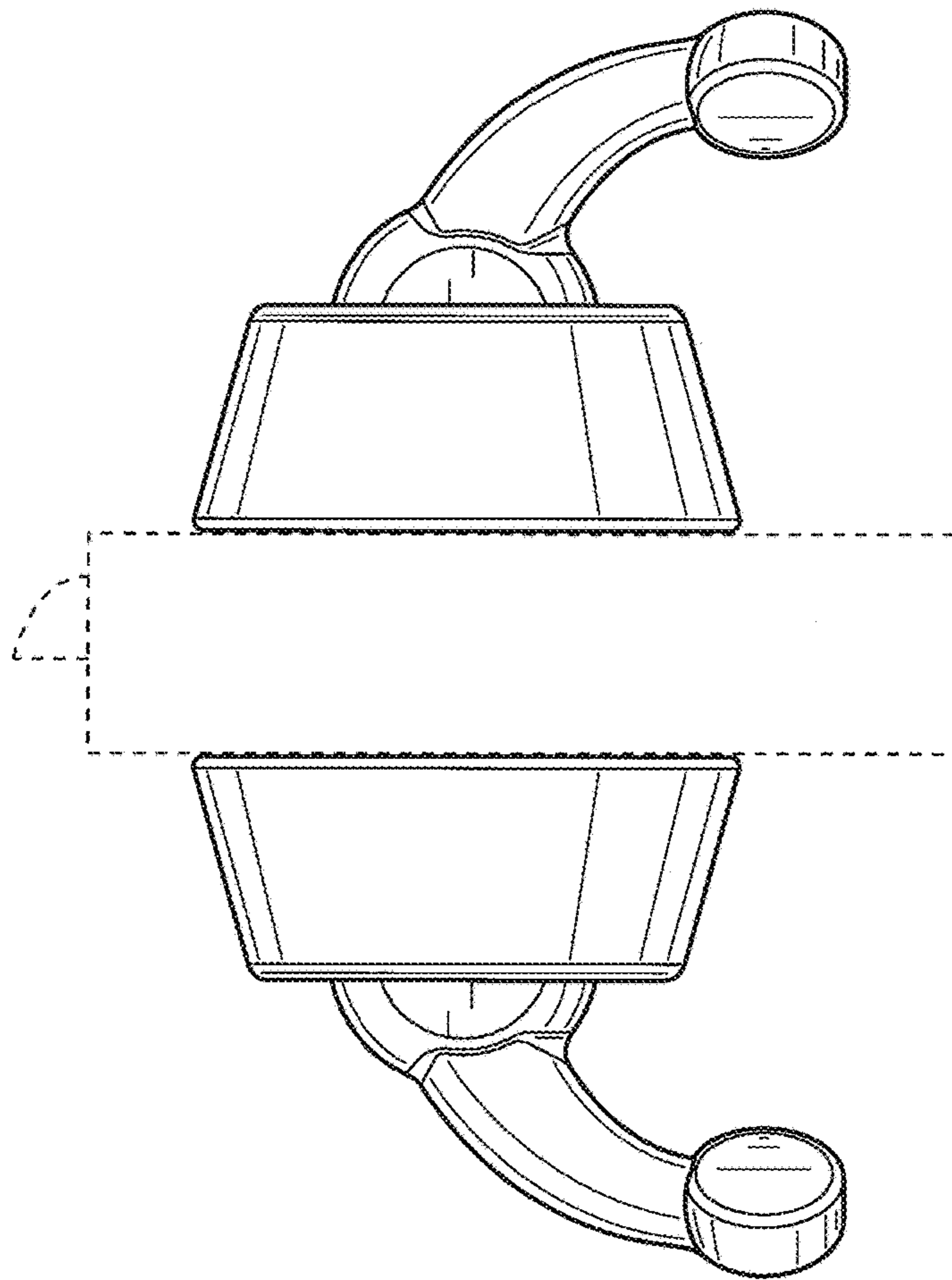


FIG. 6



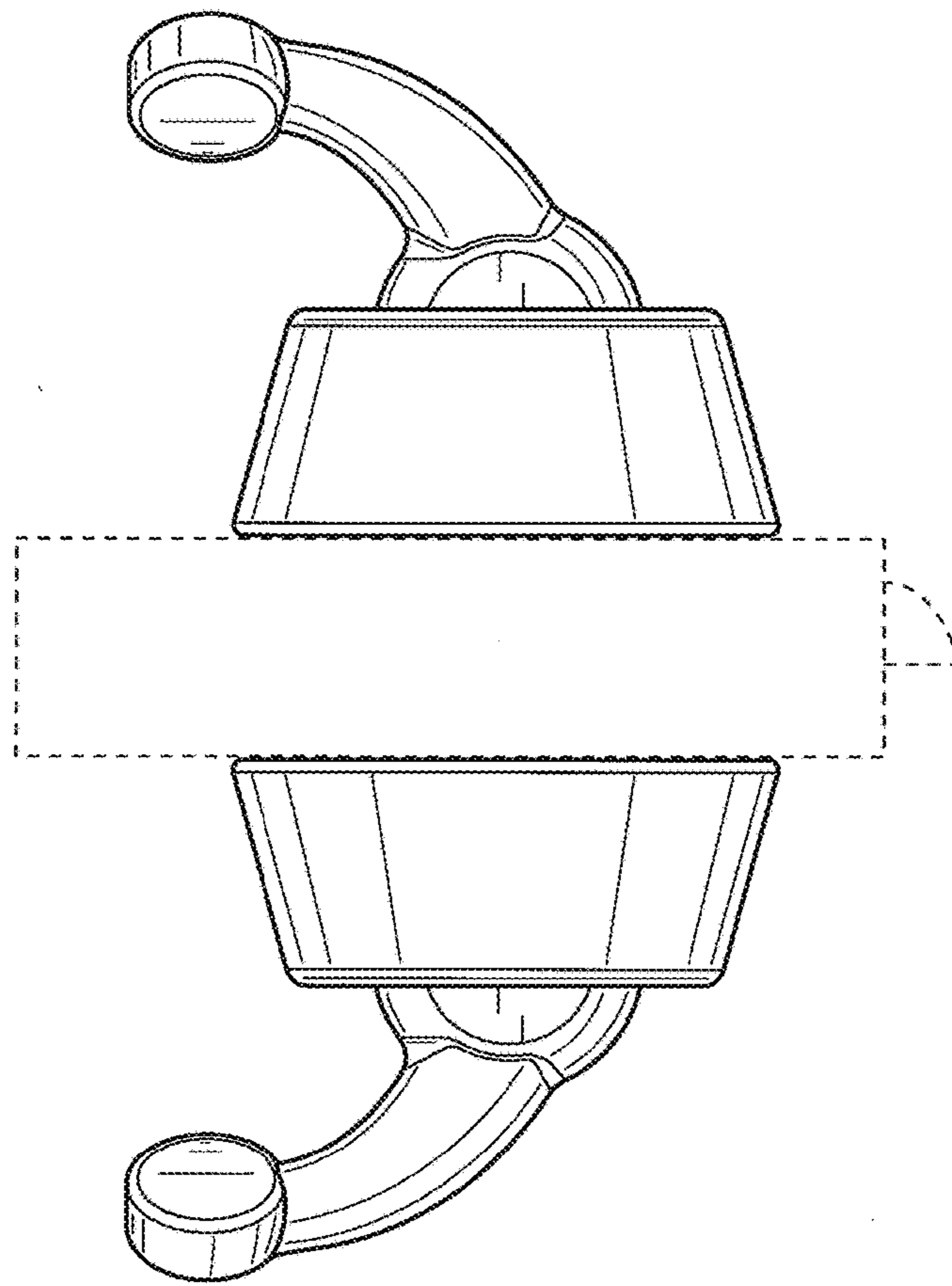


FIG. 7