



US00D841427S

(12) **United States Design Patent**
Froehlich et al.

(10) **Patent No.:** **US D841,427 S**

(45) **Date of Patent:** **** Feb. 26, 2019**

(54) **HANDLE FOR REFRIGERATION APPLIANCE**

(71) Applicant: **Prince Castle LLC**, Carol Stream, IL (US)

(72) Inventors: **Wayne Froehlich**, Wheaton, IL (US); **Stefano Binda**, Carnago (IT); **Roberto Manzari**, Carnago (IT)

(73) Assignee: **Prince Castle LLC**, Carol Stream, IL (US)

(**) Term: **15 Years**

(21) Appl. No.: **29/593,227**

(22) Filed: **Feb. 7, 2017**

(51) **LOC (11) Cl.** **08-06**

(52) **U.S. Cl.**
USPC **D8/313**; D15/89

(58) **Field of Classification Search**
USPC D8/300, 313; D15/89
CPC .. F25C 5/005; F25C 1/24; F25C 5/007; F25C 5/182; F25D 23/028; F25D 2323/021; F25D 23/04; F25D 23/02; F25D 23/025; F25D 25/025; F25D 2323/023; F25D 2317/0666; F25D 29/005; F25D 2700/122; F25D 2317/062; F25D 23/062
See application file for complete search history.

(56) **References Cited**

U.S. PATENT DOCUMENTS

D165,561 S *	12/1951	Stone	D8/313
2,783,494 A *	3/1957	Sterling	E05B 1/0015
				16/412
D398,795 S *	9/1998	Zapf	D6/705.5
D402,529 S *	12/1998	Husted	D8/313
D414,100 S *	9/1999	O'Neil	D8/314
D442,846 S *	5/2001	Bastian	D8/313
D479,723 S *	9/2003	Braun	D15/89

D500,659 S *	1/2005	Reed	D8/313
D502,950 S *	3/2005	Moraes De Sa Cavalcanti	D15/89
D508,197 S *	8/2005	Baldwin	D8/313
D597,394 S *	8/2009	Menzies	D8/313
D604,141 S *	11/2009	Reed	D8/313

(Continued)

Primary Examiner — Lauren R Calve

(74) *Attorney, Agent, or Firm* — Andrus Intellectual Property Law, LLP

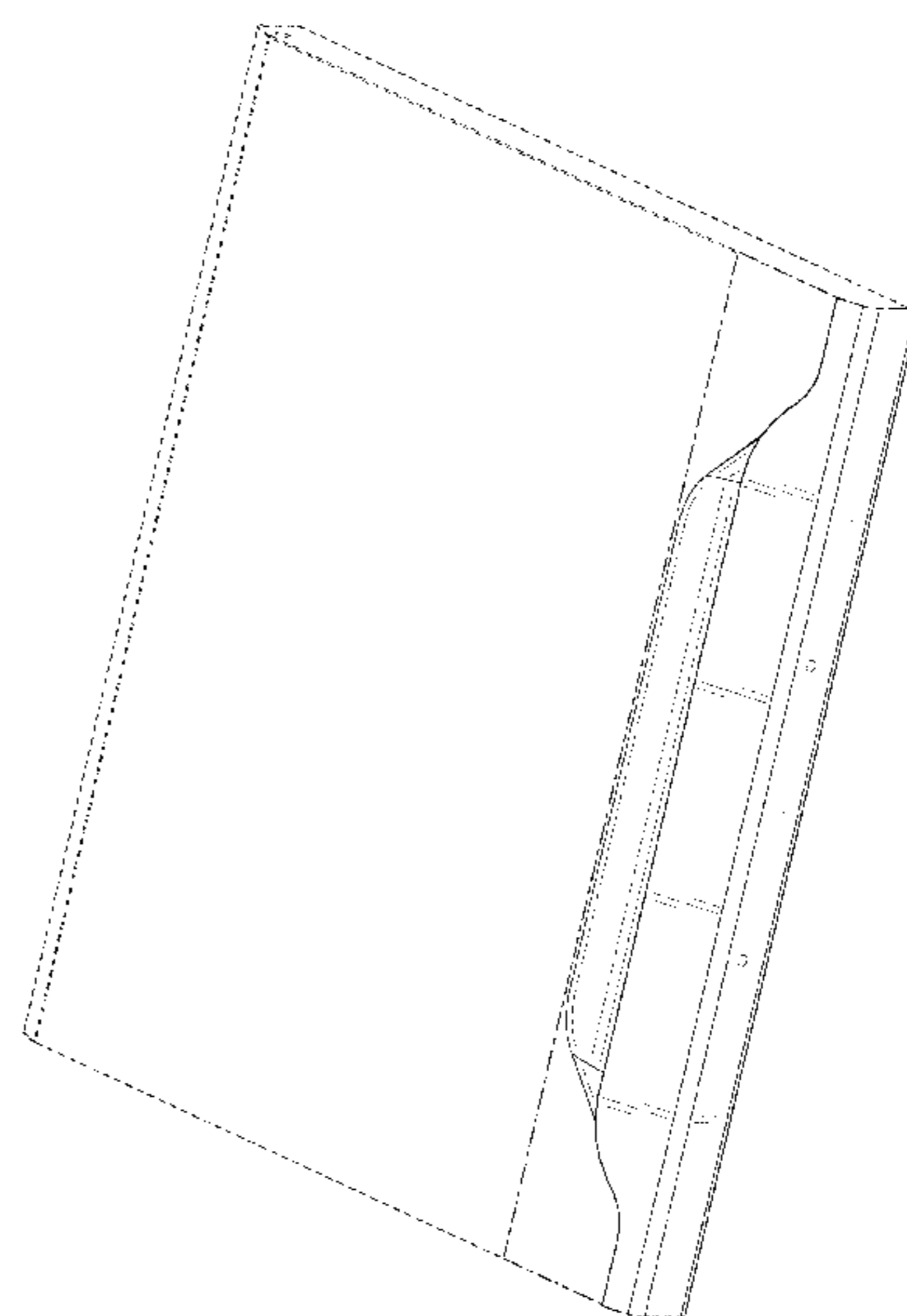
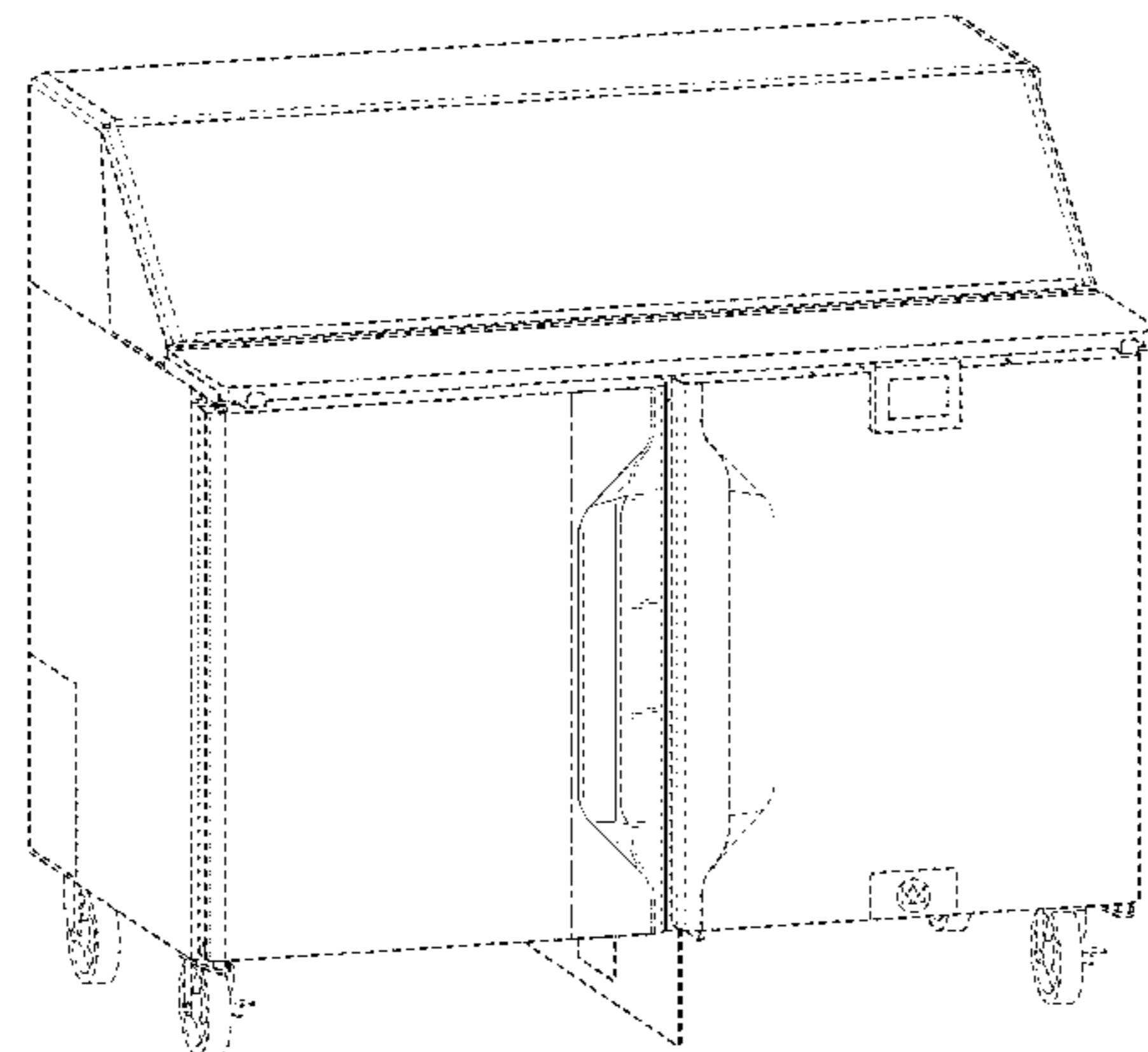
(57) **CLAIM**

The ornamental design for a handle for refrigeration appliance, as shown and described.

DESCRIPTION

FIG. 1 is a perspective view of a handle for refrigeration appliance shown in environmental use;
 FIG. 2 is a front view of the handle for refrigeration appliance shown in a second environmental use;
 FIG. 3 is a back view thereof;
 FIG. 4 is a left side view thereof;
 FIG. 5 is a right side view thereof;
 FIG. 6 is a top view thereof;
 FIG. 7 is a bottom view thereof;
 FIG. 8 is a front right side front perspective view thereof;
 FIG. 9 is a front left side front perspective view thereof;
 FIG. 10 is a perspective view of the handle for refrigeration appliance shown in a third environmental use;
 FIG. 11 is a perspective view of the handle for refrigeration appliance shown in a fourth environmental use;
 FIG. 12 is a perspective view of the handle for refrigeration appliance shown in a fifth environmental use; and,
 FIG. 13 is a perspective view of the handle for refrigeration appliance shown in a sixth environmental use.
 The broken lines shown represent unclaimed subject matter and form no part of the claimed design. The dash-dot-dash broken lines represent an unclaimed boundary that forms no part of the claimed design.

1 Claim, 12 Drawing Sheets



(56)

References Cited

U.S. PATENT DOCUMENTS

D651,221 S * 12/2011 Voron D15/89
D729,034 S * 5/2015 Kaishian D8/313
D761,189 S * 7/2016 Fulford D12/345
D786,946 S * 5/2017 Kim D15/85
2013/0300276 A1* 11/2013 Nuss F25D 25/021
312/404
2014/0319989 A1* 10/2014 Hwang F25D 23/02
312/404
2015/0145399 A1* 5/2015 Joo F25D 23/02
312/404

* cited by examiner

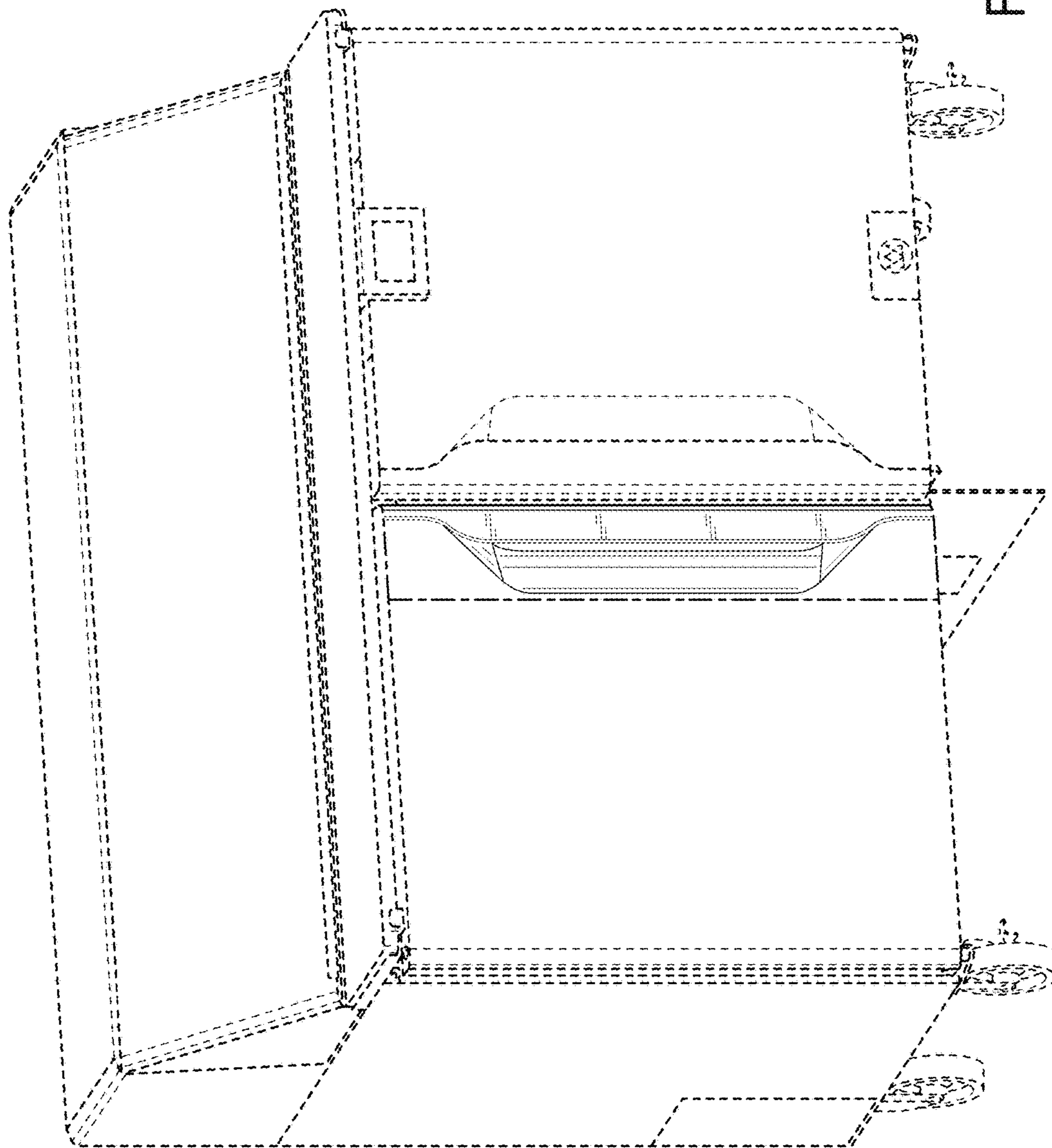


FIG. 1

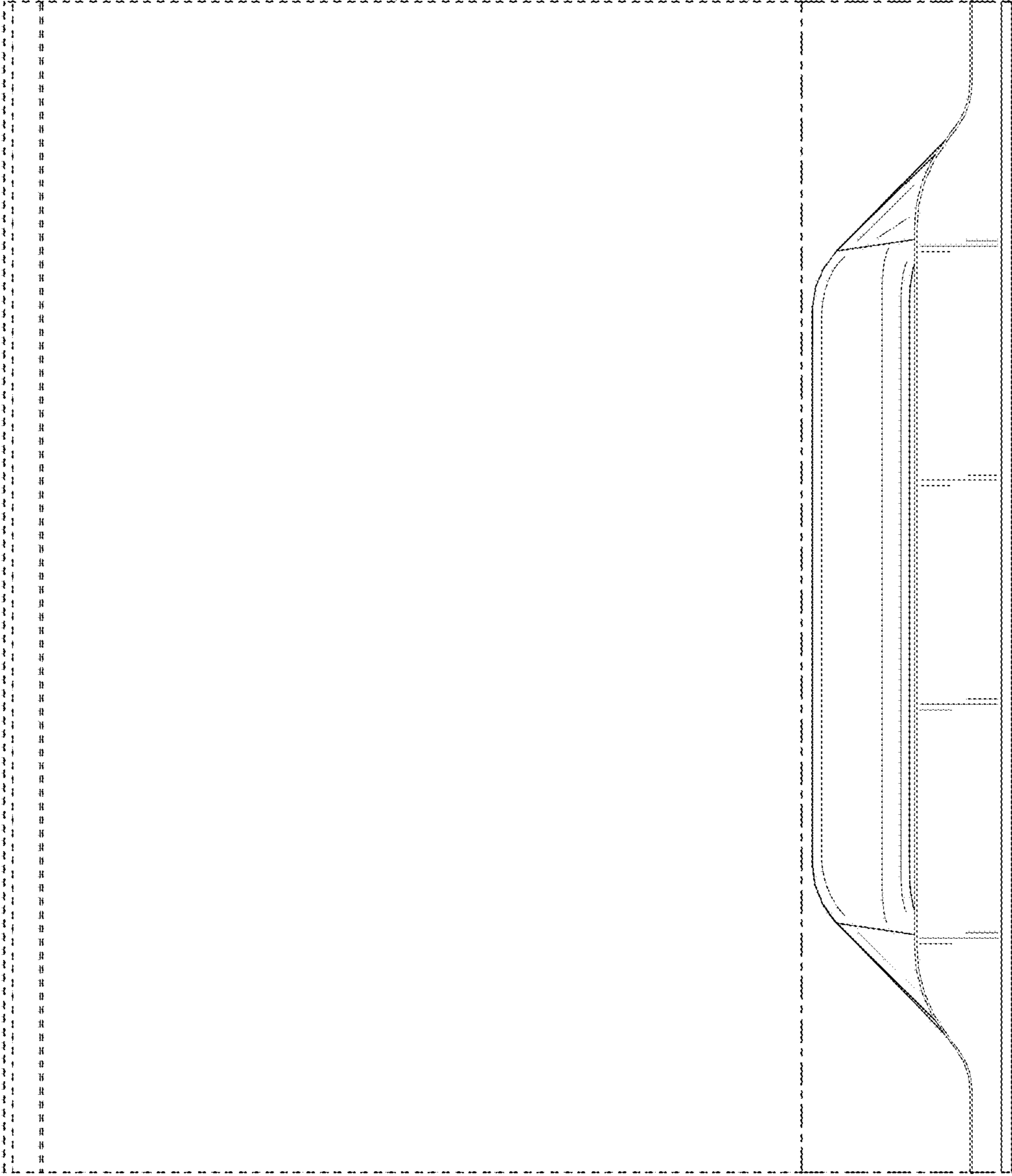


FIG. 2

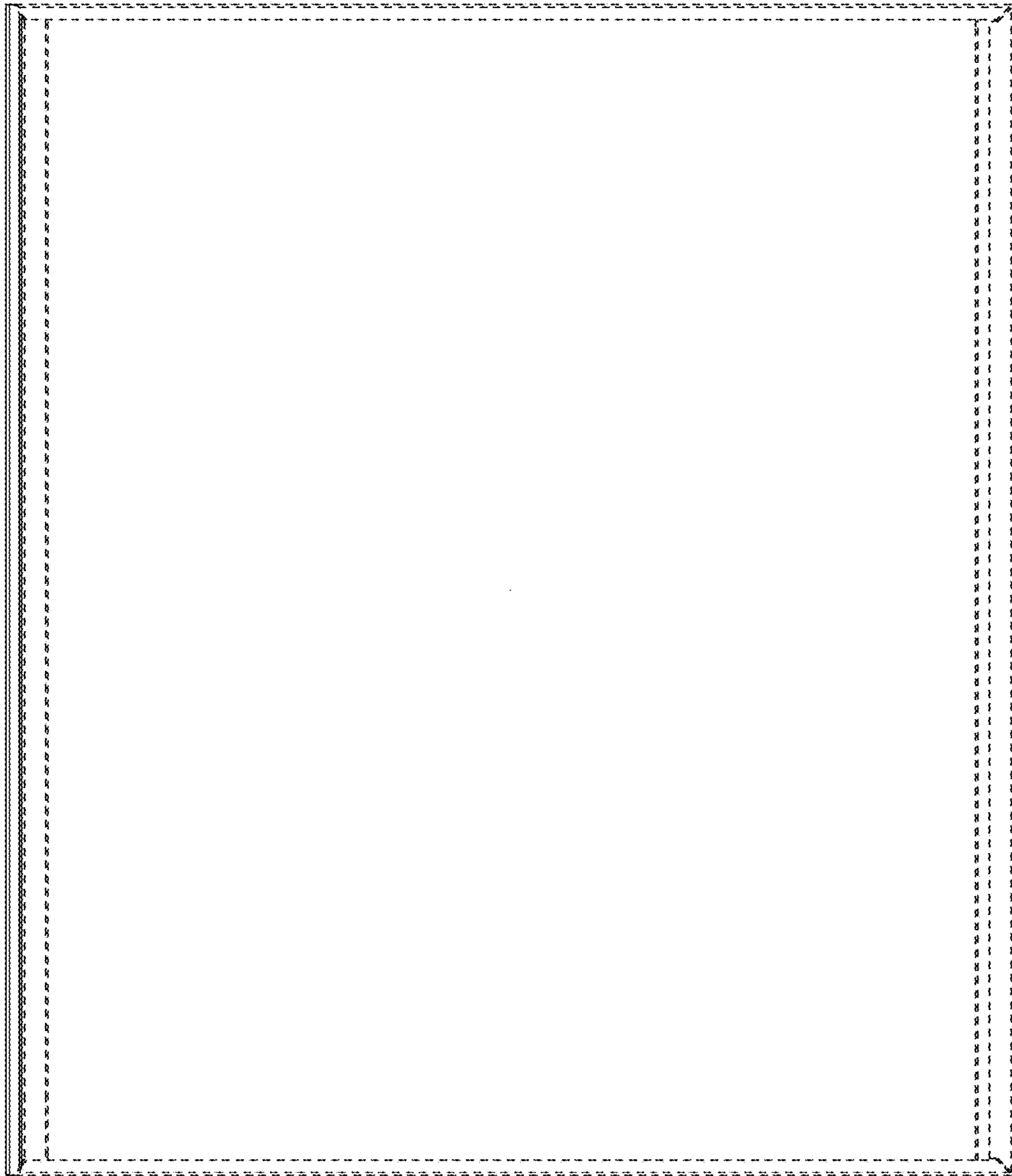


FIG. 3

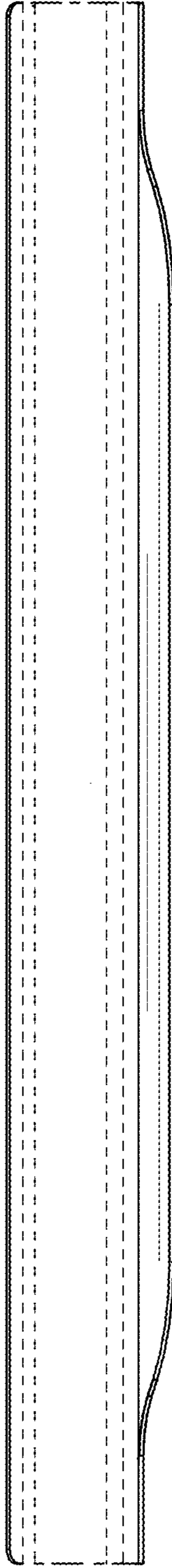


FIG. 4

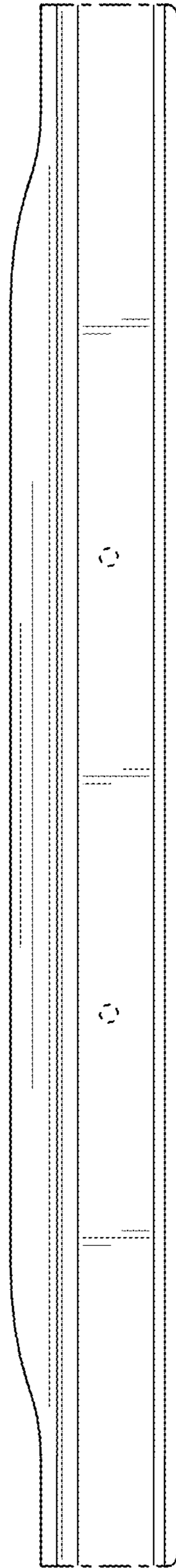


FIG. 5

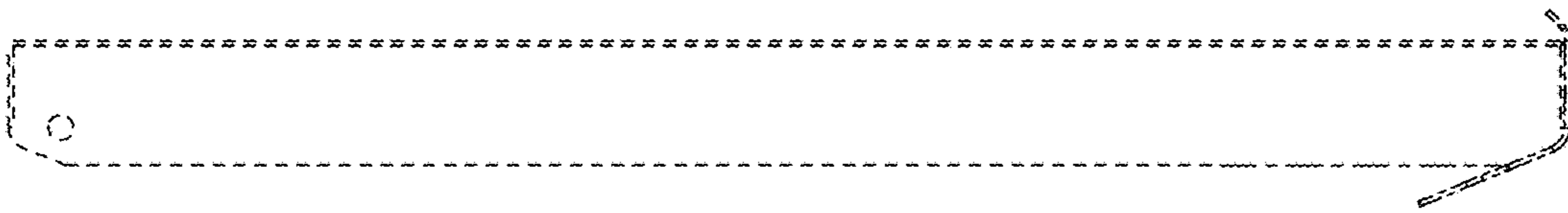


FIG. 6

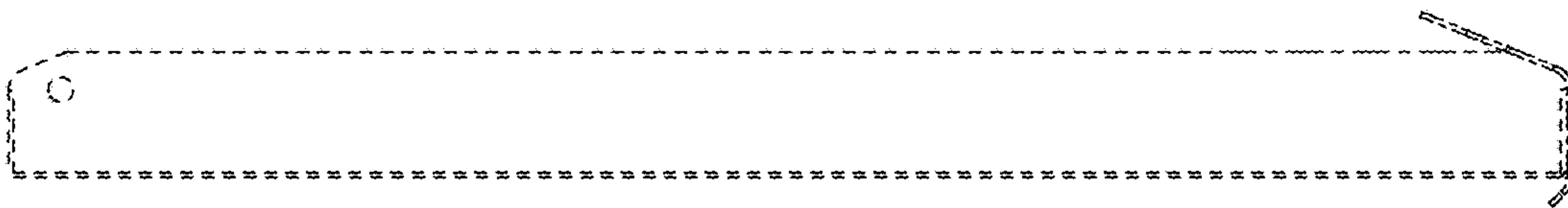


FIG. 7

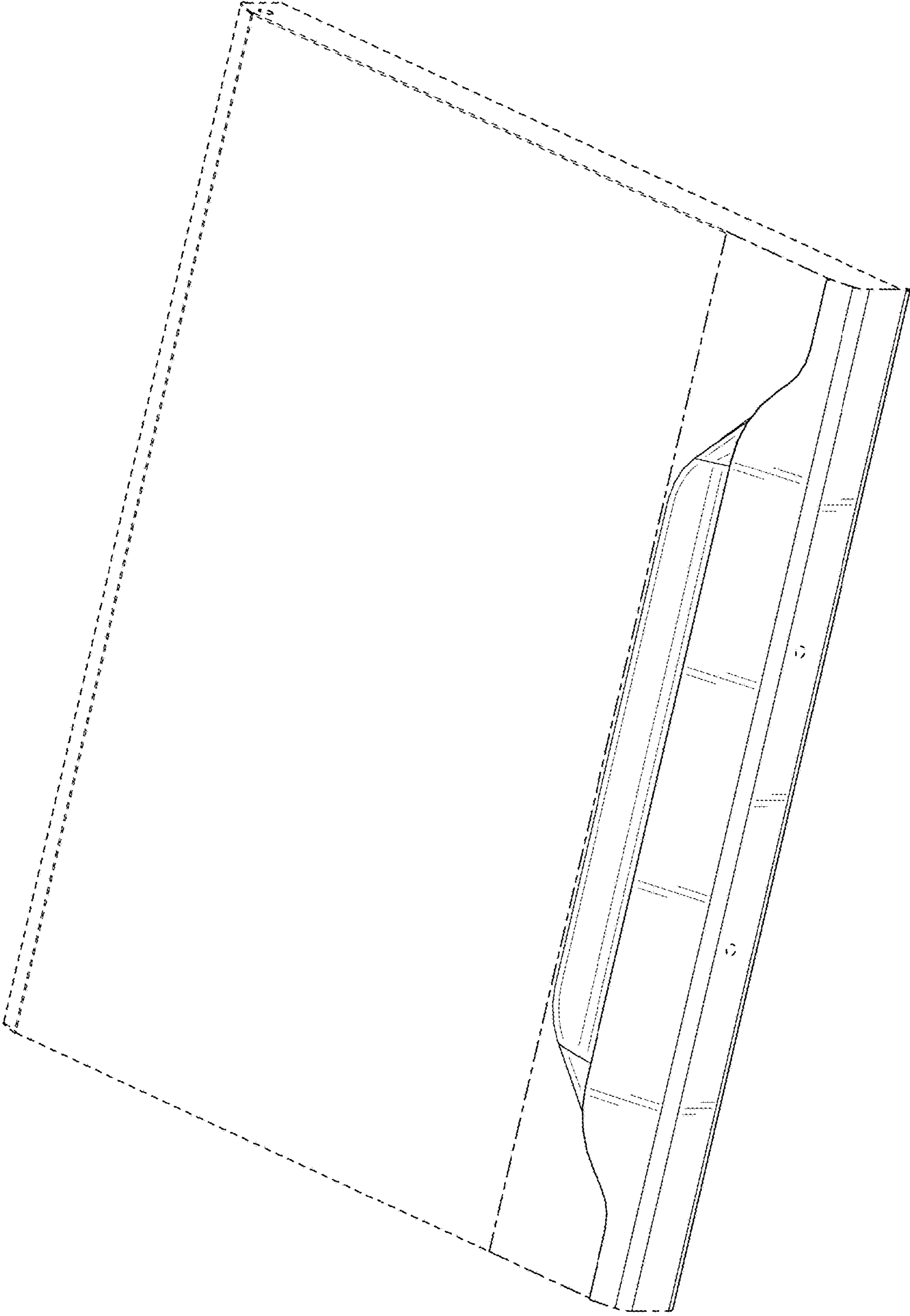


FIG. 8

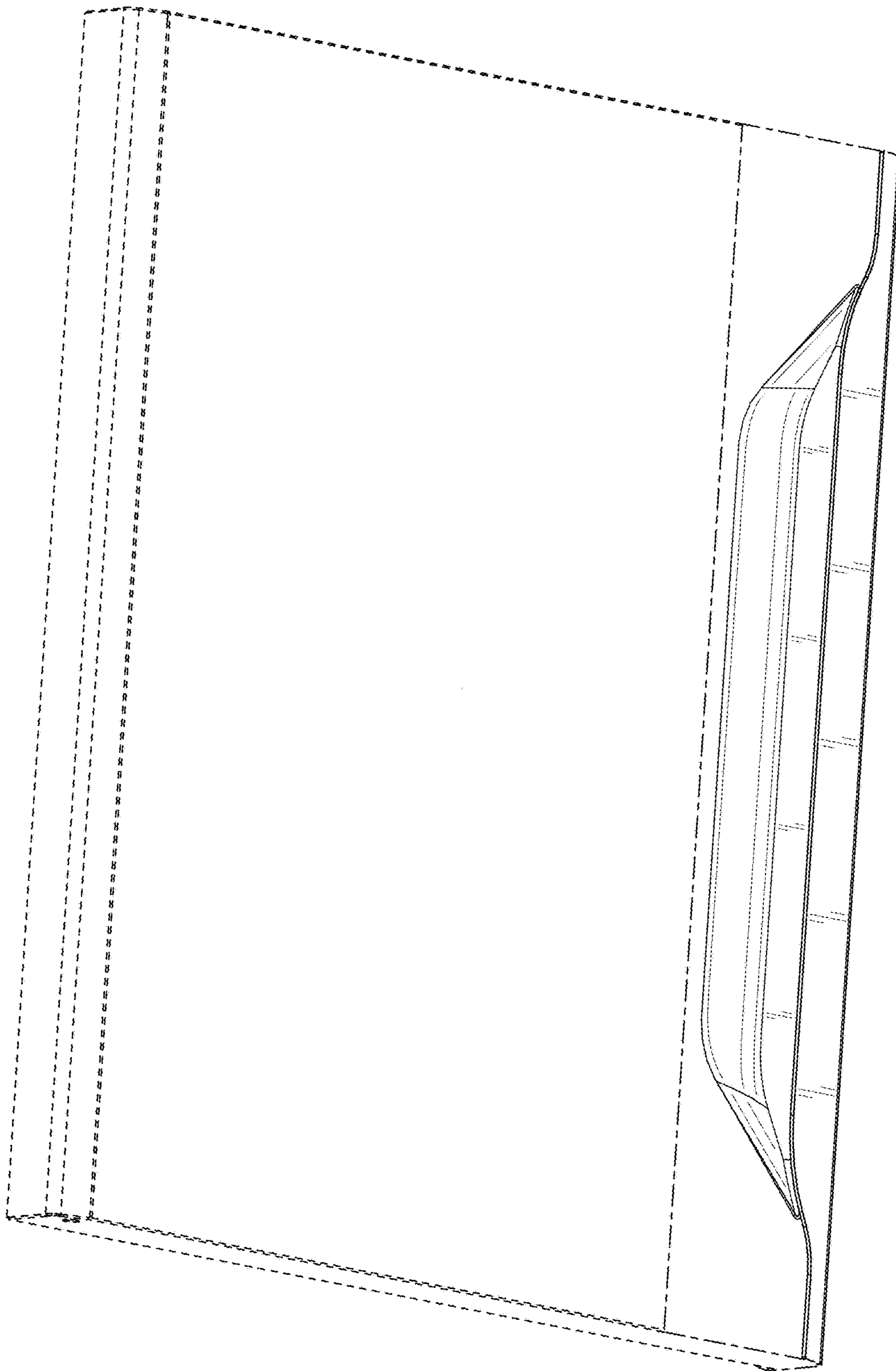


FIG. 9

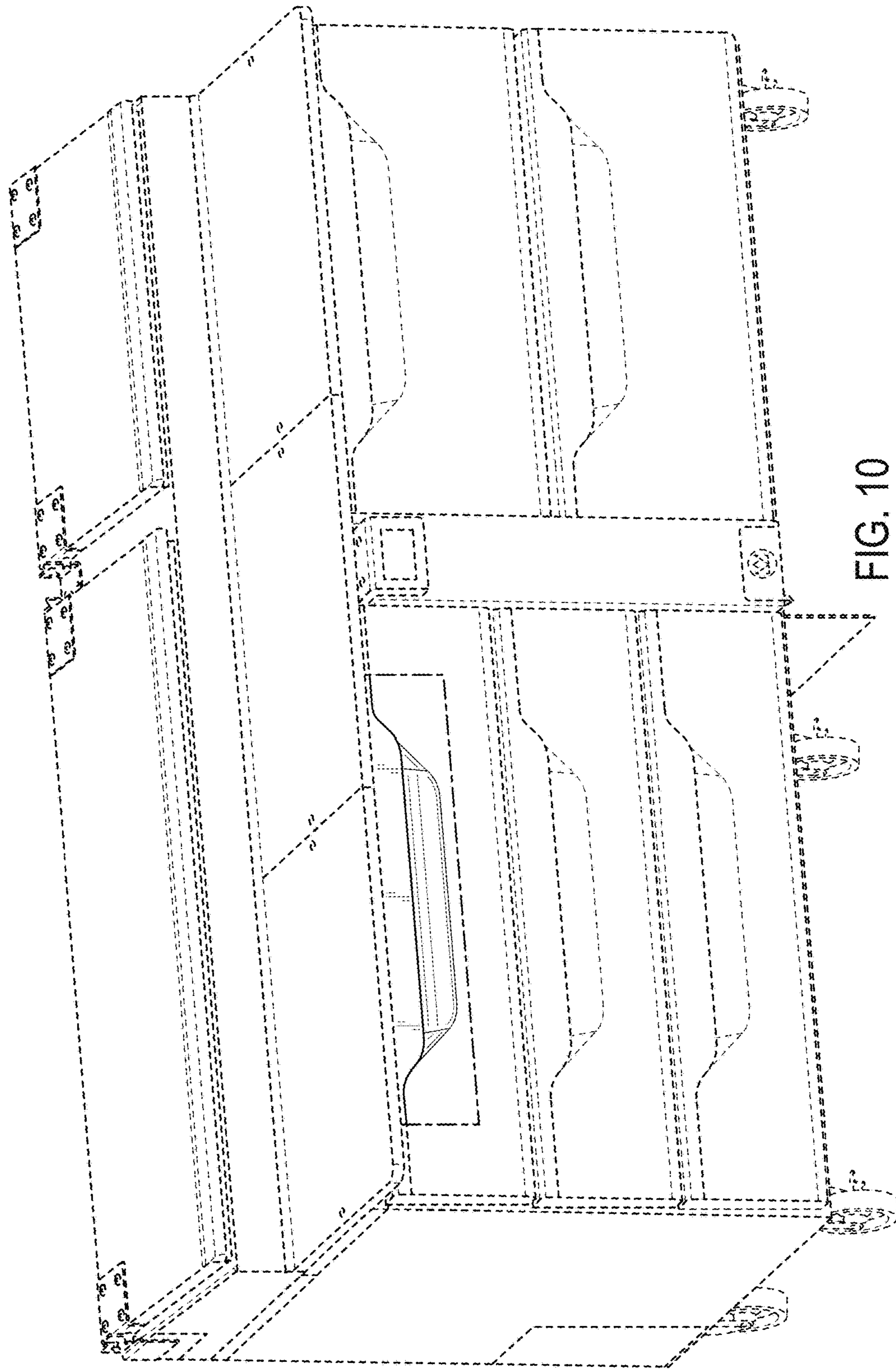


FIG. 10

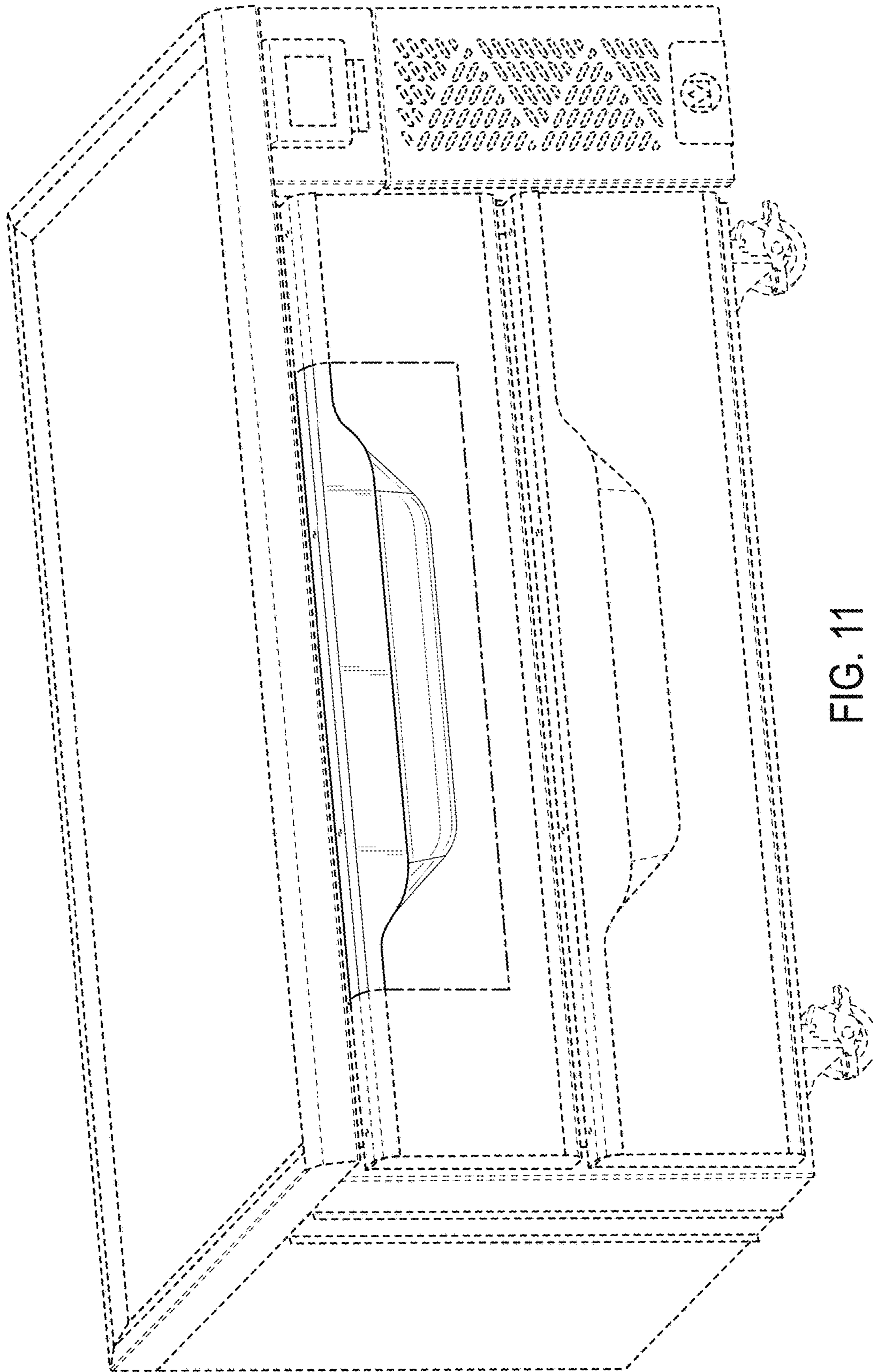


FIG. 11

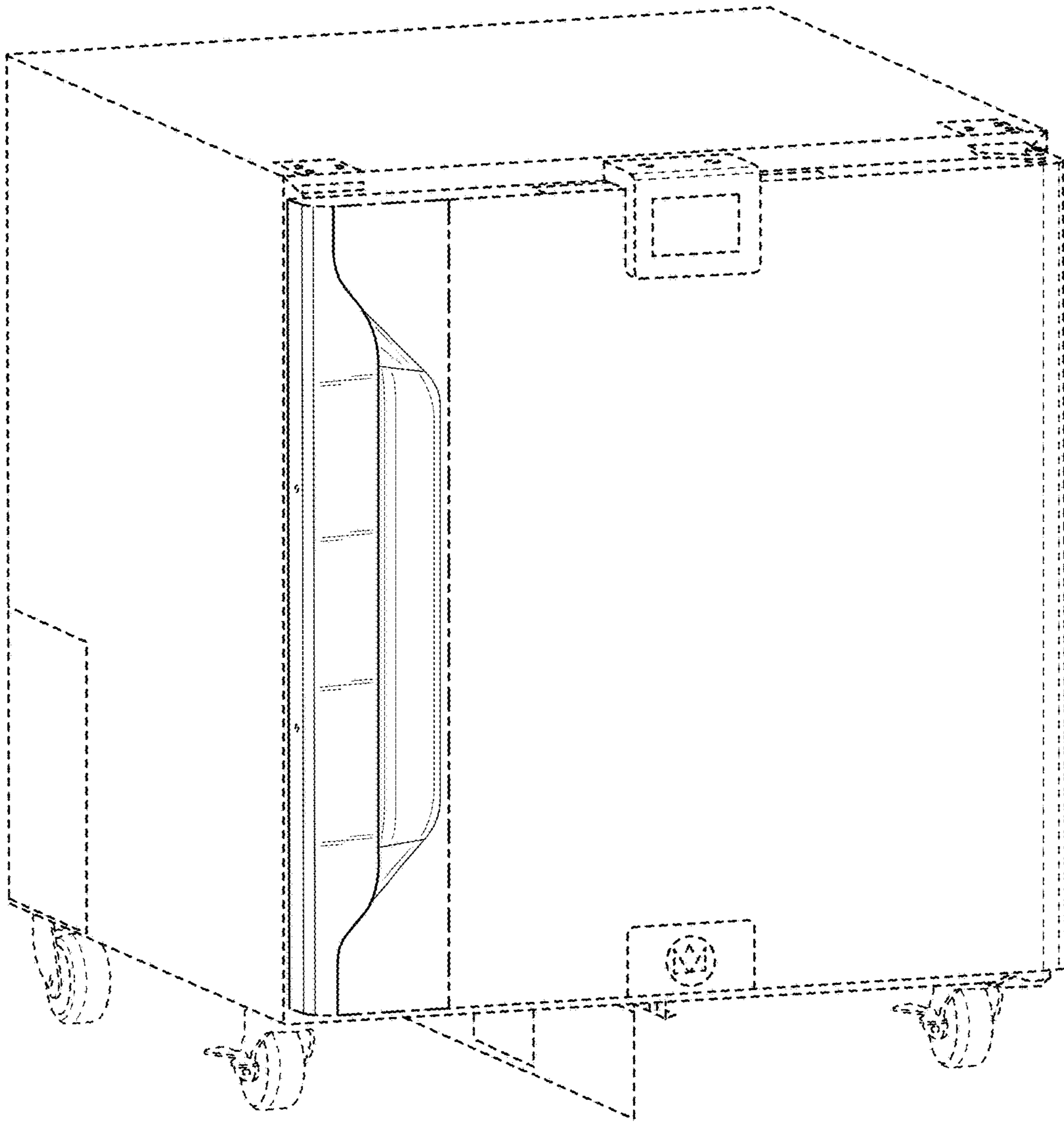


FIG. 12

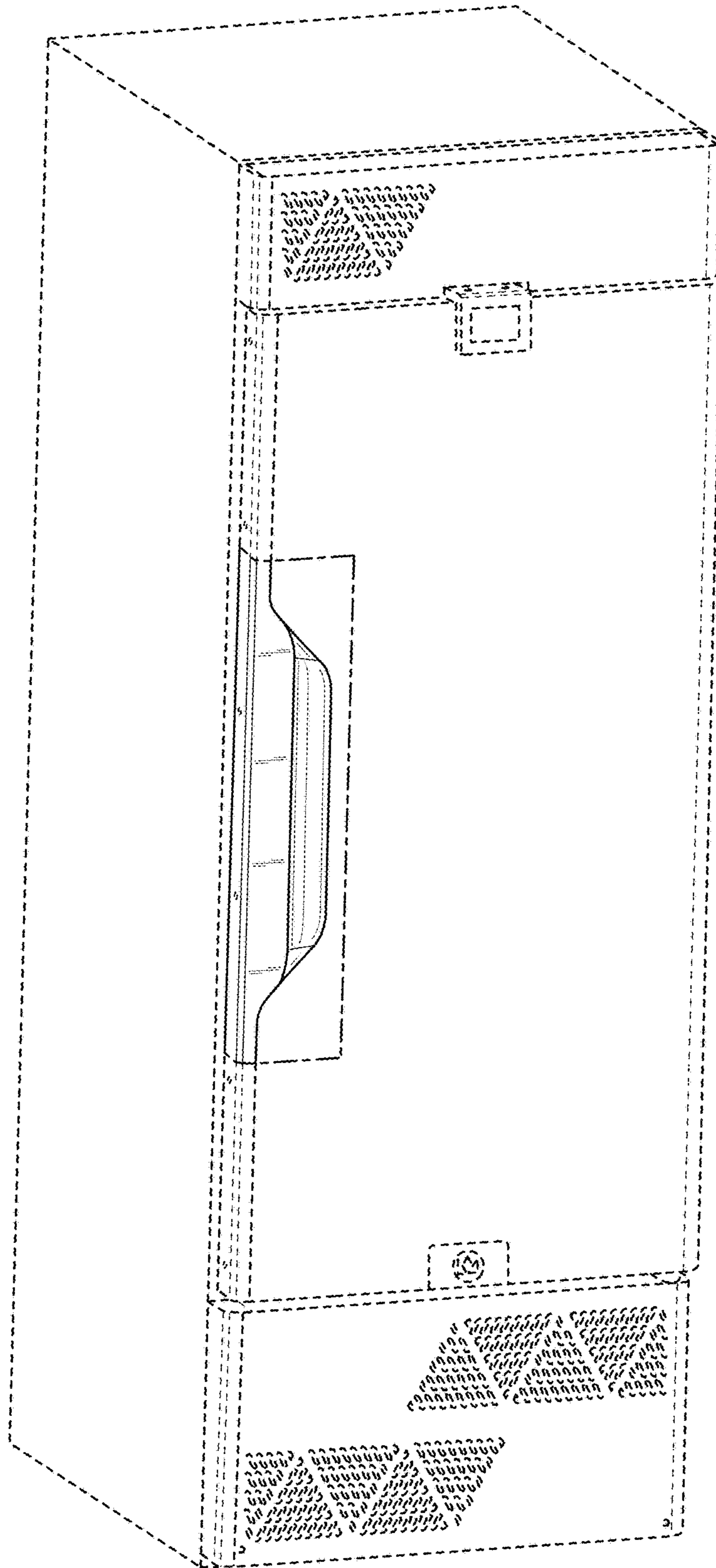


FIG. 13