



US00D841426S

(12) **United States Design Patent**
Goldstein

(10) **Patent No.:** **US D841,426 S**

(45) **Date of Patent:** **** Feb. 26, 2019**

(54) **POCKET KNIFE**

(71) Applicant: **Avraham Goldstein**, Flushing, NY
(US)

(72) Inventor: **Avraham Goldstein**, Flushing, NY
(US)

(**) Term: **15 Years**

(21) Appl. No.: **29/614,240**

(22) Filed: **Aug. 17, 2017**

(51) **LOC (11) Cl.** **08-03**

(52) **U.S. Cl.**
USPC **D8/99**

(58) **Field of Classification Search**
USPC D8/98, 99, 100, 105, 107; D22/118
CPC B26B 5/001; B26B 5/003; B26B 11/00;
B26B 1/08; B26B 1/02; B26B 1/10;
B26B 1/04
See application file for complete search history.

(56) **References Cited**

U.S. PATENT DOCUMENTS

D302,210 S * 7/1989 Johnson D3/273
D408,706 S * 4/1999 Elishewitz D8/99

D411,790 S * 7/1999 Glesser D8/99
D435,421 S * 12/2000 Strider D8/99
D473,913 S * 4/2003 Hall D22/118
D512,624 S * 12/2005 Taylor D8/99
D642,888 S * 8/2011 Port D8/99
D768,457 S * 10/2016 Yuhuan D8/99
D811,191 S * 2/2018 Berenji D8/99

* cited by examiner

Primary Examiner — Philip S Hyder

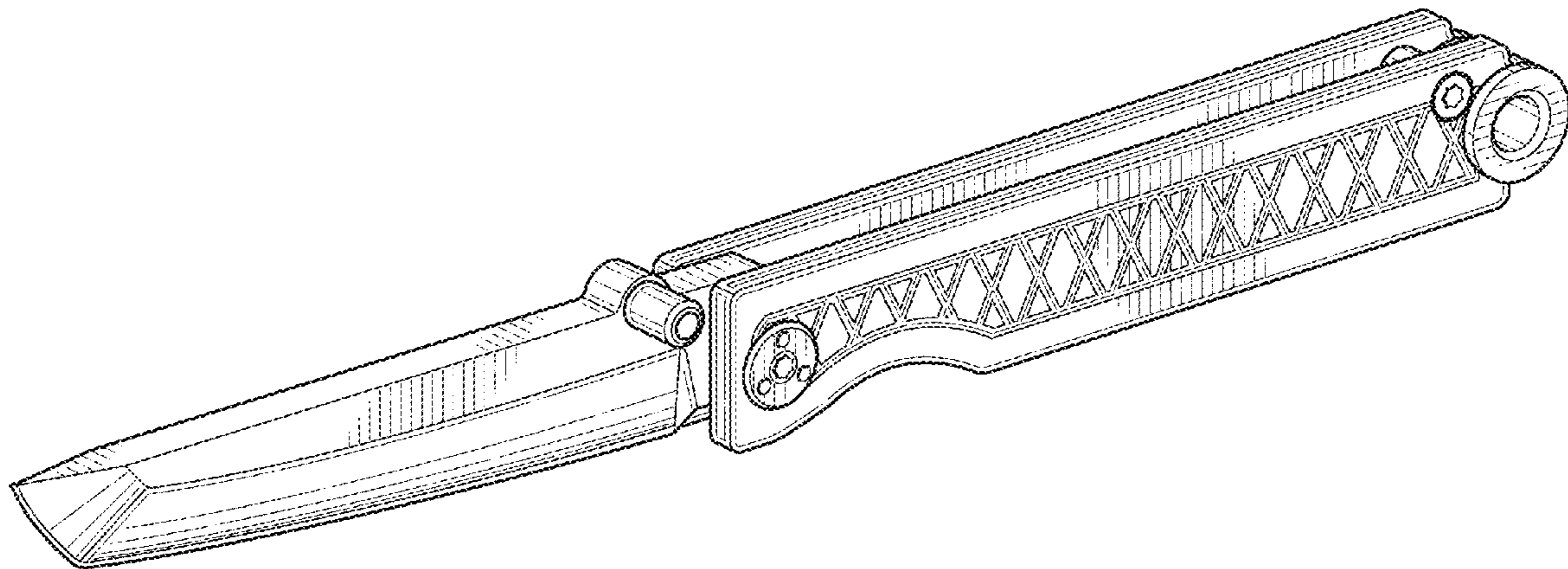
(57) **CLAIM**

I claim the ornamental design for a pocket knife, as shown and described.

DESCRIPTION

FIG. 1 is a first perspective view of the knife of the claimed design;
FIG. 2 is a right side view of the knife of FIG. 1;
FIG. 3 is a left side view of the knife of FIG. 1;
FIG. 4 is a top side view of the knife of FIG. 1;
FIG. 5 is a bottom side view of the knife of FIG. 1;
FIG. 6 is a front side view of the knife of FIG. 1; and,
FIG. 7 is a back side view of the knife of FIG. 1.

1 Claim, 4 Drawing Sheets



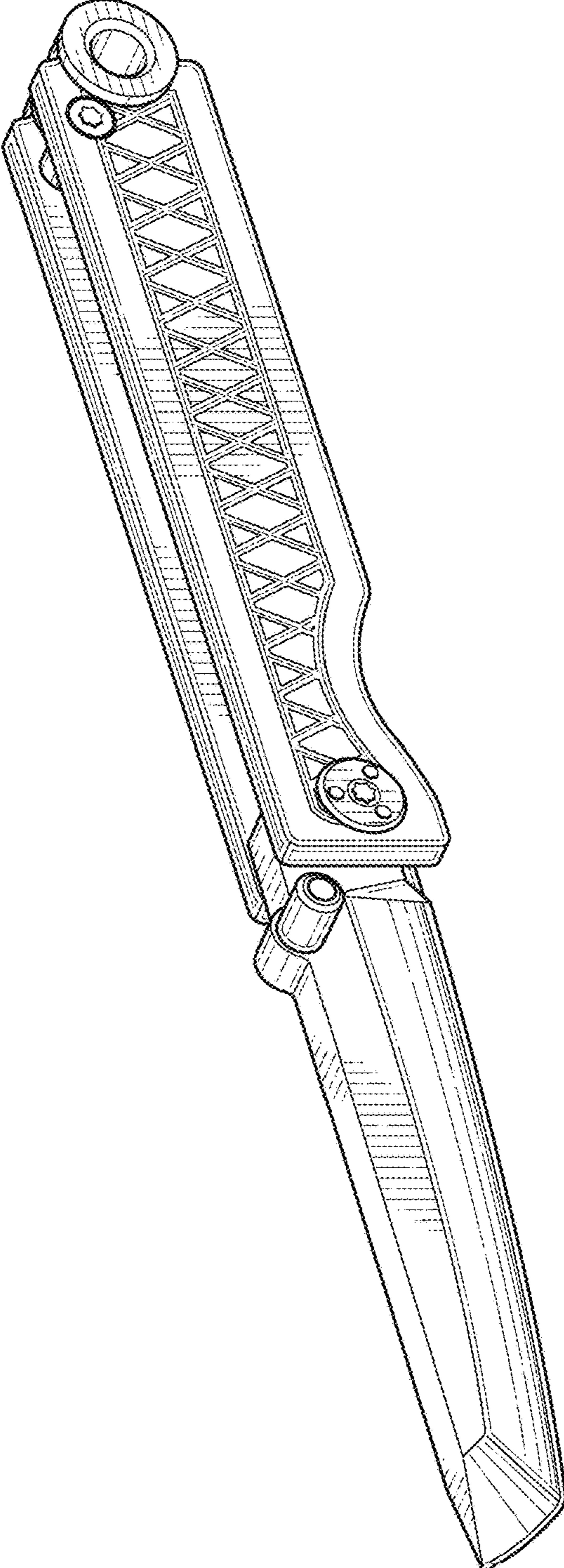


FIG. 1

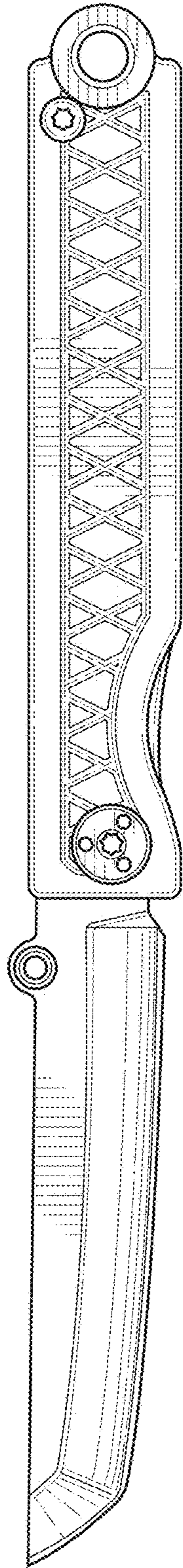


FIG. 2

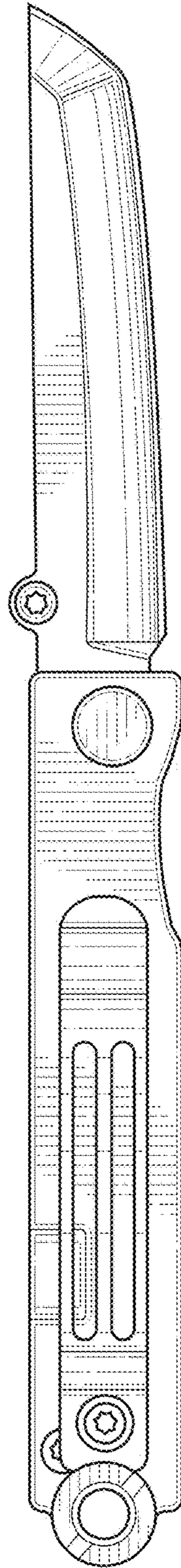


FIG. 3

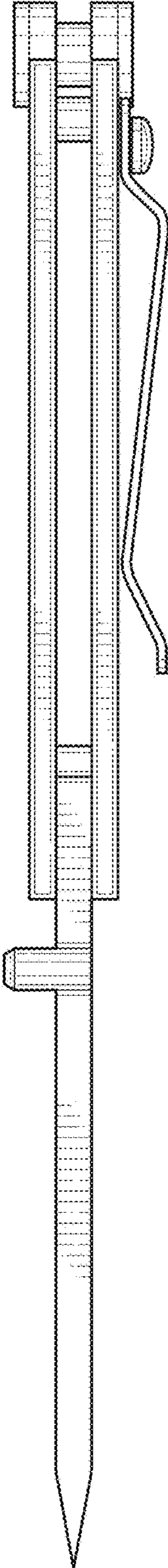


FIG. 4

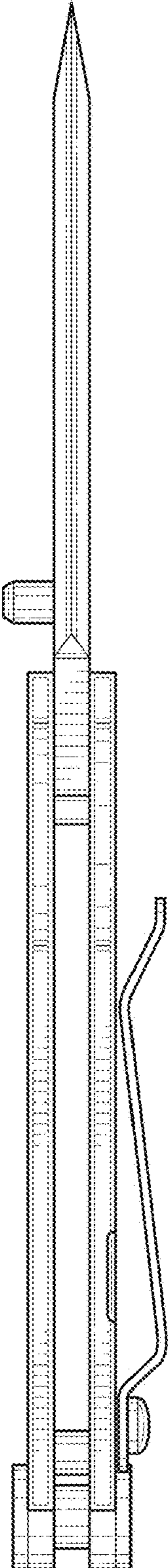


FIG. 5

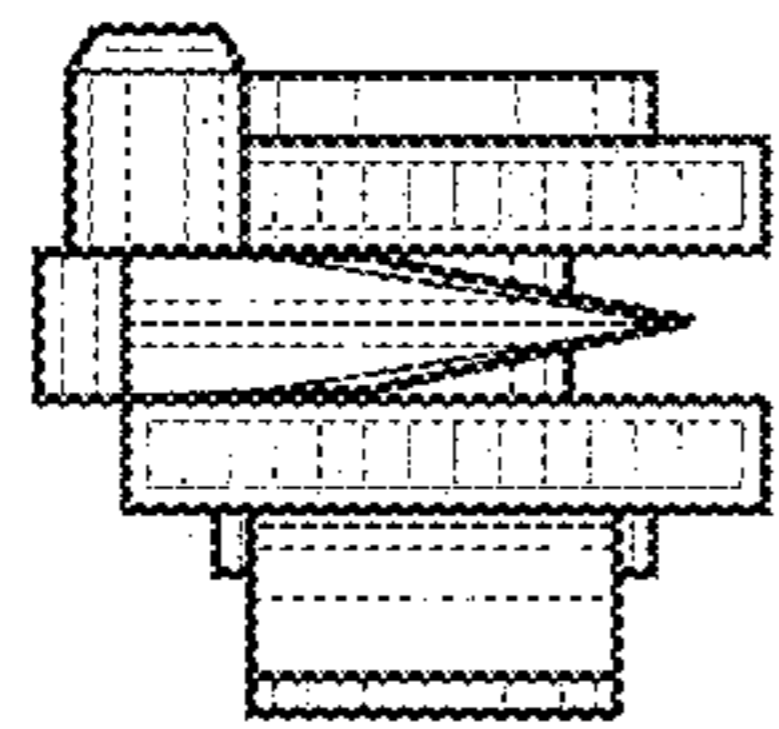


FIG. 6

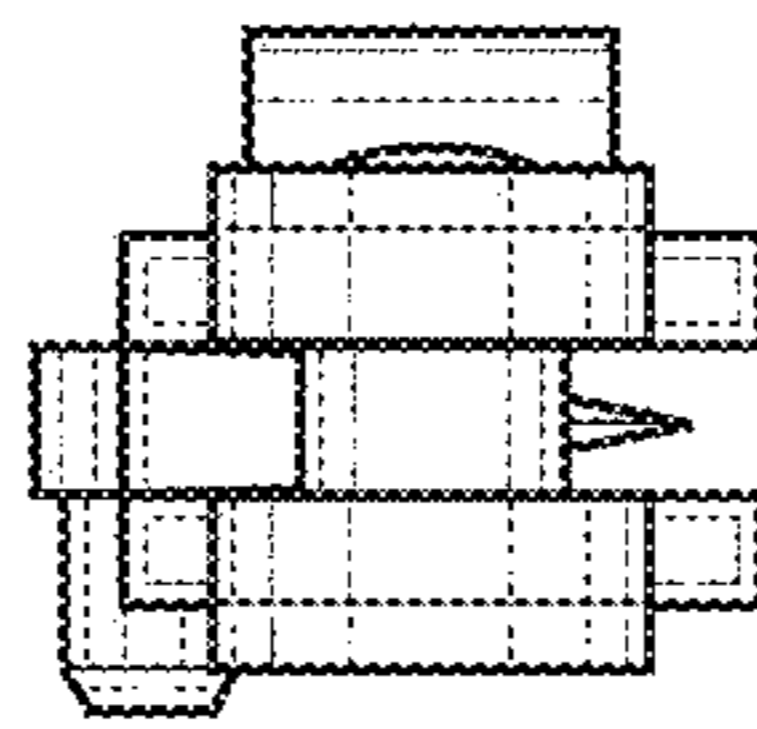


FIG. 7