



US00D841425S

(12) **United States Design Patent** (10) **Patent No.:** **US D841,425 S**
Moss et al. (45) **Date of Patent:** **** Feb. 26, 2019**

- (54) **TORSION BIT**
- (71) Applicant: **BLACK & DECKER INC.**, New Britain, CT (US)
- (72) Inventors: **Darren B. Moss**, York, PA (US); **Brandon Stumpf**, Parkville, MD (US)
- (73) Assignee: **Black & Decker Inc.**, New Britain, CT (US)
- (**) Term: **15 Years**
- (21) Appl. No.: **29/592,530**
- (22) Filed: **Jan. 31, 2017**

- 2,522,217 A 9/1950 Fischer et al.
- 2,524,095 A 10/1950 Williams
- 2,671,484 A 3/1954 Clark
- 2,677,294 A 5/1954 Clark
- 2,762,408 A 9/1956 Baldwin
- 2,933,114 A 4/1960 Bystrom
- 3,007,504 A 11/1961 Clark
- 3,019,027 A 1/1962 Klein et al.

(Continued)

FOREIGN PATENT DOCUMENTS

- CN 202528113 U 11/2012
- DE 2934428 A1 3/1981

(Continued)

OTHER PUBLICATIONS

Screen shots of a bit holder with a floating ring magnet (2 pages)—date unknown.

(Continued)

Primary Examiner — Philip S Hyder
(74) *Attorney, Agent, or Firm* — Scott B. Markow

(57) **CLAIM**

The ornamental design for a torsion bit, as shown and described.

DESCRIPTION

FIG. 1 is a perspective view of a torsion bit.
FIG. 2 is a left view of the torsion bit of FIG. 1.
FIG. 3 is a right view of the torsion bit of FIG. 1.
FIG. 4 is a front view of the torsion bit of FIG. 1.
FIG. 5 is a rear view of the torsion bit of FIG. 1.
FIG. 6 is a top view of the torsion bit of FIG. 1; and,
FIG. 7 is a bottom view of the torsion bit of FIG. 1.
The broken lines depict portions of the torsion bit in which the design is embodied that are not considered part of the claimed design.

1 Claim, 6 Drawing Sheets

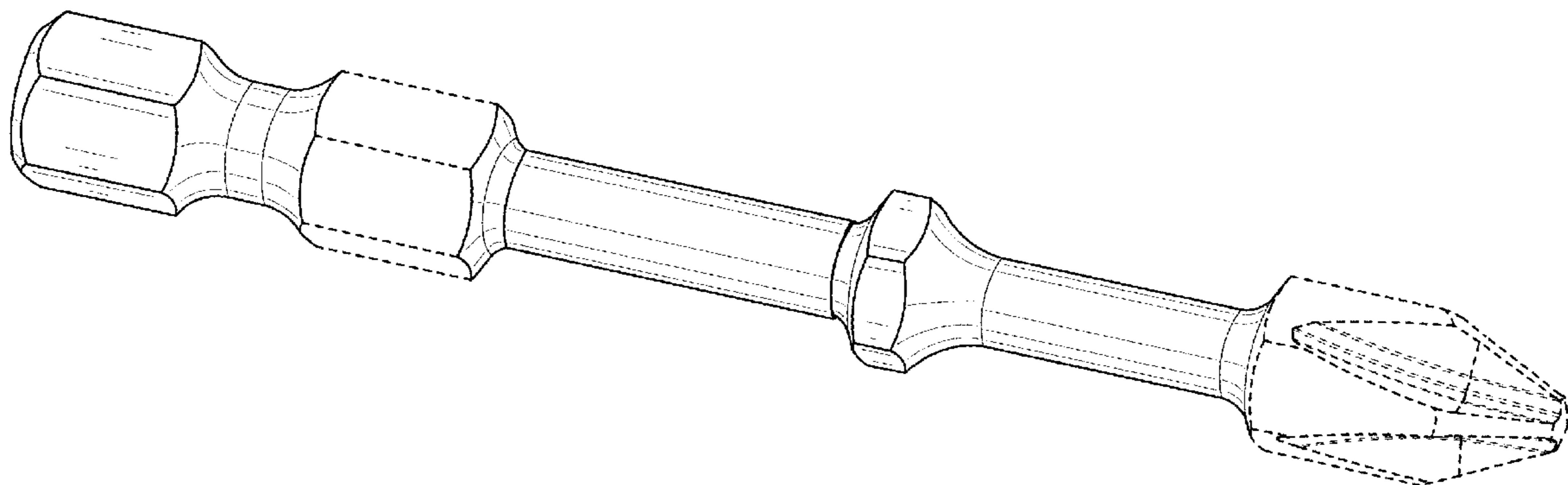
Related U.S. Application Data

- (63) Continuation of application No. 29/544,274, filed on Nov. 2, 2015, now Pat. No. Des. 789,761.
- (51) **LOC (11) Cl.** **08-04**
- (52) **U.S. Cl.**
USPC **D8/86**
- (58) **Field of Classification Search**
USPC D8/70, 82, 85, 86, 87, 105; D15/139;
81/436, 438, 439, 451, 460, 461
CPC ... B25B 15/001; B25B 15/005; B25B 15/008;
B25B 23/0007; B25B 23/0035; B25B
23/0042; B25B 23/0021; B25G 1/085;
F16B 26/0053
See application file for complete search history.

(56) **References Cited**

U.S. PATENT DOCUMENTS

- 1,119,276 A 12/1914 Griffith et al.
- 1,124,981 A 1/1915 Weaver
- 1,138,465 A 5/1915 Fegley et al.
- 1,656,450 A 2/1925 Steuer
- 1,860,998 A 5/1932 Drazick
- 2,348,611 A 5/1944 Davidson
- 2,409,899 A 10/1946 Resina



(56)

References Cited

U.S. PATENT DOCUMENTS

3,398,965	A	8/1968	Cox	6,834,864	B2	12/2004	Girardeau
3,436,086	A	4/1969	Glenzer	6,840,143	B1	1/2005	Lin
3,604,488	A	9/1971	Wishart	6,860,489	B2	3/2005	Chen
3,707,894	A	1/1973	Stillwagon, Jr.	6,863,280	B2	3/2005	Chiu
3,726,533	A	4/1973	Lafferty, Sr.	6,902,358	B2	6/2005	Thomas
3,742,656	A	7/1973	Amos	RE38,778	E	8/2005	Eggert et al.
3,767,218	A	10/1973	Linthicum et al.	6,929,266	B2	8/2005	Peters et al.
3,788,658	A	1/1974	Benjamin et al.	6,931,967	B1	8/2005	Chang
3,901,298	A	8/1975	Eby	6,973,858	B2	12/2005	Huang
3,929,343	A	12/1975	Wanner et al.	6,986,517	B2	1/2006	Lin
4,184,692	A	1/1980	Benson et al.	7,063,332	B2	6/2006	Mueller
4,309,042	A	1/1982	Fauth et al.	7,086,813	B1	8/2006	Boyle et al.
4,317,578	A	3/1982	Welch	7,096,768	B1	8/2006	Chen
4,577,875	A	3/1986	Miyakawa	7,107,882	B1	9/2006	Chang
4,588,335	A	5/1986	Pearson, Jr.	7,124,665	B1	10/2006	Chen
4,629,375	A	12/1986	Lieser	7,131,358	B2	11/2006	Hsien
4,669,932	A	6/1987	Hartley	7,159,493	B1	1/2007	Huang
4,692,073	A	9/1987	Martindell	7,214,009	B2	5/2007	Quanz
4,787,278	A	11/1988	Bononi	7,222,862	B2	5/2007	Buchholz et al.
4,824,298	A	4/1989	Lippacher et al.	7,250,023	B2	7/2007	Bai
4,858,939	A	8/1989	Riggs	7,261,023	B2	8/2007	Taguchi
5,012,708	A	5/1991	Martindell	7,278,342	B1	10/2007	Chang
5,013,194	A	5/1991	Wienhold	7,284,936	B1	10/2007	Rinner
5,056,387	A	10/1991	Cook	7,287,449	B2	10/2007	Abel et al.
5,062,749	A	11/1991	Sheets	7,290,470	B1	11/2007	Peters
5,152,642	A	10/1992	Pitts et al.	7,306,396	B1	12/2007	Chen
5,182,973	A	2/1993	Martindell	7,308,948	B2	12/2007	Furuta
5,188,378	A	2/1993	Erlenkeuser	7,316,404	B1	1/2008	Walker
5,284,069	A	2/1994	Wellman	7,380,612	B2	6/2008	Furuta
5,385,420	A	1/1995	Newman, Sr. et al.	7,380,613	B2	6/2008	Furuta
5,398,946	A	3/1995	Quiring	7,387,051	B1	6/2008	Chiang
5,704,261	A	1/1998	Strauch et al.	7,387,054	B2	6/2008	Rajotte
5,709,391	A	1/1998	Arakawa et al.	7,424,841	B2	9/2008	Liu
5,709,393	A	1/1998	Von Keudell et al.	7,469,909	B2	12/2008	Strauch et al.
5,724,872	A	3/1998	Shih	D589,319	S	3/2009	Peters
5,724,873	A	3/1998	Hillinger	7,565,854	B2	7/2009	Chiang et al.
5,868,047	A	2/1999	Faust et al.	7,574,946	B1	8/2009	Chiang
5,934,384	A	8/1999	Wang	7,597,031	B2	10/2009	Chiang
5,951,024	A	9/1999	Montjoy et al.	7,669,860	B2	3/2010	Chiang
5,988,957	A	11/1999	Wheeler	D615,380	S	5/2010	Su
5,992,274	A	11/1999	Lammers	7,726,664	B2	6/2010	Peters
5,996,452	A	12/1999	Chiang	7,735,400	B2	6/2010	Chen
6,053,675	A	4/2000	Holland et al.	7,779,734	B2	8/2010	Nichols, Jr.
6,059,296	A	5/2000	Baeder	D623,036	S	9/2010	DeBaker
6,074,140	A	6/2000	Cook	D624,383	S	9/2010	Hsu
6,082,233	A	7/2000	Han	D627,205	S	11/2010	Hsu
RE36,797	E	8/2000	Eggert et al.	7,823,890	B2	11/2010	Chen
6,126,370	A	10/2000	Wheeler	D631,723	S	2/2011	DeBaker
6,148,699	A	11/2000	Han	7,896,357	B2	3/2011	Peters
6,154,108	A	11/2000	Huang	7,913,592	B2	3/2011	Hu
6,199,872	B1	3/2001	Hasan	7,922,180	B2	4/2011	Meng
6,209,426	B1	4/2001	Takahashi	7,942,426	B2	5/2011	Peters
6,224,303	B1	5/2001	Wheeler et al.	D645,328	S *	9/2011	Hsu D8/86
6,261,035	B1	7/2001	Moores, Jr. et al.	D646,138	S	10/2011	Hsu
6,270,085	B1	8/2001	Chen et al.	D646,139	S	10/2011	Hsu
6,311,989	B1	11/2001	Rosanwo	D646,547	S	10/2011	DeBaker
6,325,393	B1	12/2001	Chen et al.	D653,096	S	1/2012	Lucio et al.
6,341,926	B1	1/2002	Liu	D653,517	S	2/2012	Lucio et al.
6,343,901	B2	2/2002	Wheeler et al.	8,166,851	B2	5/2012	Pohola et al.
6,345,560	B1	2/2002	Strauch et al.	8,172,236	B2	5/2012	Shibata
6,354,177	B2	3/2002	Peters	8,176,817	B2	5/2012	Liu
6,382,636	B1	5/2002	Walker	D662,802	S	7/2012	DeBaker
6,390,739	B1	5/2002	O'Banion	D663,187	S	7/2012	DeBaker
6,457,916	B2	10/2002	Wienhold	8,262,097	B2	9/2012	Lai
6,464,234	B2	10/2002	Frauhammer et al.	8,366,120	B2	2/2013	Hu
6,530,299	B1	3/2003	Liu	8,413,996	B2	4/2013	Hu
6,543,959	B1	4/2003	Jore	8,418,587	B2	4/2013	DeBaker
6,622,597	B2	9/2003	Chen	8,493,931	B1	7/2013	Nix
6,637,755	B2	10/2003	Chen et al.	D706,106	S *	6/2014	Chen D8/86
6,651,990	B2	11/2003	Higasi et al.	D725,984	S *	4/2015	Moss D8/86
6,666,114	B1	12/2003	Lin	D726,521	S *	4/2015	Moss D8/86
6,684,740	B2	2/2004	Lin	D752,408	S *	3/2016	Moss D8/86
6,695,321	B2	2/2004	Bedi et al.	2002/0166421	A1	11/2002	Bowerman
6,698,319	B2	3/2004	Huang	2003/0025326	A1	2/2003	Schulte
6,722,667	B2	4/2004	Cantlon	2003/0145693	A1	8/2003	Huang
				2004/0093997	A1	5/2004	Huang
				2004/0164503	A1	8/2004	Fan-Chiang et al.
				2005/0098002	A1	5/2005	Holland-Letz
				2005/0166725	A1	8/2005	Chen

(56)

References Cited

U.S. PATENT DOCUMENTS

2006/0027057	A1	2/2006	Hsien	
2006/0107801	A1	5/2006	Hsien	
2006/0111723	A1	5/2006	Chapolini et al.	
2006/0123957	A1	6/2006	Hsien	
2007/0234856	A1	10/2007	Liu	
2008/0184853	A1	8/2008	Chen	
2008/0184854	A1	8/2008	Peters	
2008/0216618	A1	9/2008	Chen	
2009/0107304	A1	4/2009	Chiang et al.	
2009/0139378	A1	6/2009	Chiang et al.	
2009/0139379	A1	6/2009	Chiang et al.	
2009/0165606	A1	7/2009	Hsien	
2009/0174157	A1	7/2009	Chang	
2009/0288525	A1	11/2009	Chen	
2009/0314143	A1	12/2009	Chen	
2010/0011918	A1	1/2010	Ray	
2010/0133762	A1	6/2010	Peters	
2010/0294092	A1	11/2010	Hu	
2010/0307298	A1*	12/2010	Lai	B25B 15/002 81/442
2011/0017029	A1	1/2011	Chen	
2011/0023666	A1	2/2011	Hsu	
2011/0167966	A1	7/2011	Liu	
2011/0197721	A1*	8/2011	DeBaker	B25B 15/002 81/436
2011/0215538	A1	9/2011	Cornwell et al.	
2011/0283842	A1	11/2011	Lai	
2012/0126497	A1	5/2012	Lin	
2012/0267865	A1	10/2012	Hsu	
2012/0272795	A1	11/2012	Chen	
2012/0275875	A1	11/2012	Gischus et al.	
2013/0220086	A1	8/2013	Peters et al.	
2013/0328276	A1	12/2013	Moss et al.	

FOREIGN PATENT DOCUMENTS

DE	3243389	A1	11/1982
DE	3907567	A1	9/1989

DE	4243650	A1	12/1992
DE	10148943	A1	11/2002
DE	10148943	A1	11/2002
DE	20200404469	U1	5/2004
DE	202005013315	U1	10/2005
DE	102007012892	A1	12/2007
DE	202008003131	U1	9/2008
DE	102010016053	A1	2/2011
DE	202013008907	U1	1/2014
DK	200101378	A	4/2002
EP	1878524	A2	1/2006
EP	1637285	A1	3/2006
EP	1637285	A1	3/2006
EP	2151304	B1	3/2013
FR	2631275	A1	11/1989
JP	59-059278	U1	4/1984
JP	08-229840		10/1996
JP	2000024946	A	1/2000
JP	2000127058	A	5/2000
JP	2000296474	A	10/2000
JP	2003311641	A	11/2003
JP	2004106473	A	4/2004
WO	WO-1991010541	A1	7/1991
WO	WO-2002022314	A1	3/2002
WO	WO-2012110453	A1	8/2012

OTHER PUBLICATIONS

Three (3) photographs of Vessel 2H drill bit with floating magnet sleeve (with packaging)—date unknown.
 New Product Ideas/Inventions: Twist-Lok Drill & Drive System—Mar. 1, 2007—5 pages.
 English Translation of JP-S59059278.
 Garella, Mario—European Search Report re: EP14180985 dated Sep. 8, 2015—8 pages—The Hague.
 Pothmann, Johannes—European Search Report re: EP15180953 dated Mar. 23, 2016—9 pages.
 Pastramas, Nikolas—Extended European Search Report re: related patent application No. 13155401.6 dated Jan. 4, 2018—The Hague.

* cited by examiner

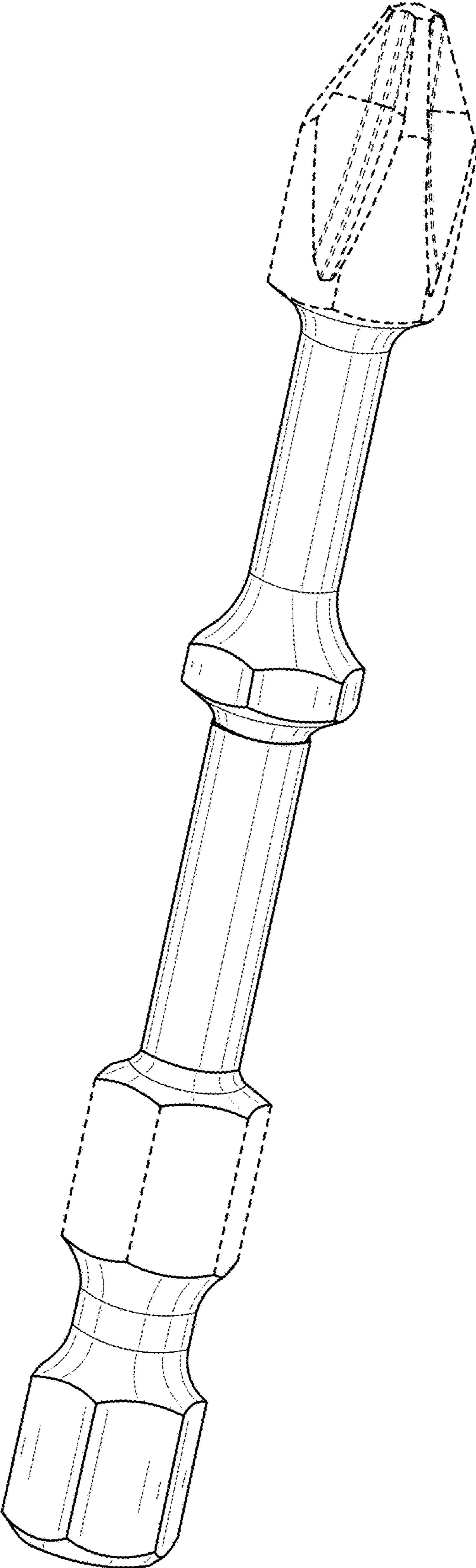


FIG. 1

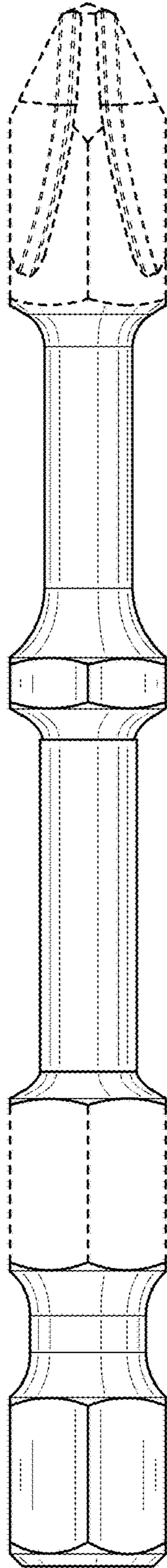


FIG. 2

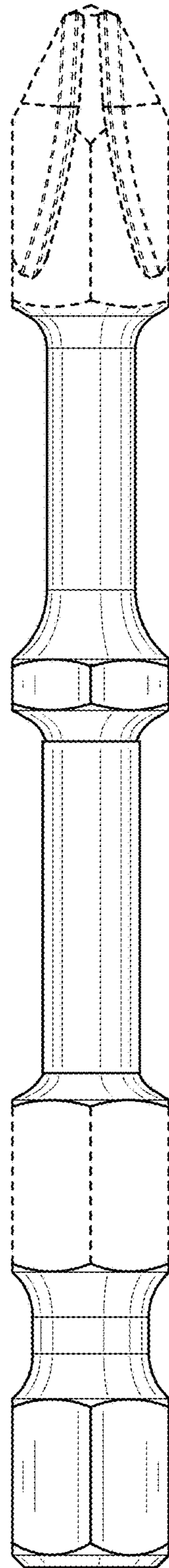


FIG. 3

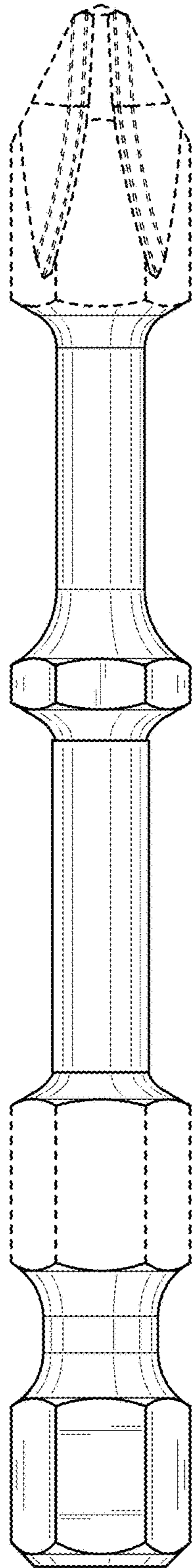


FIG. 4

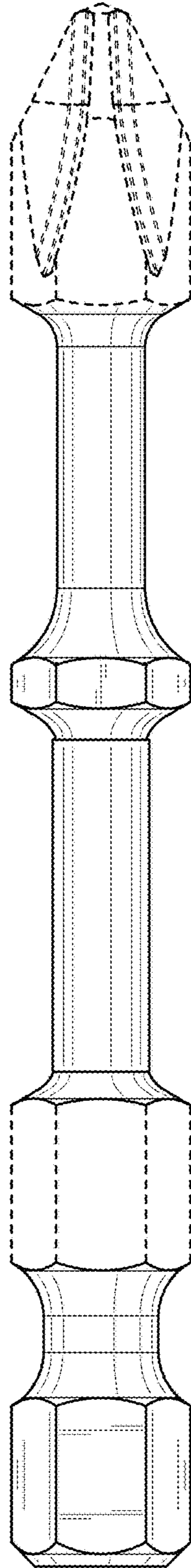


FIG. 5

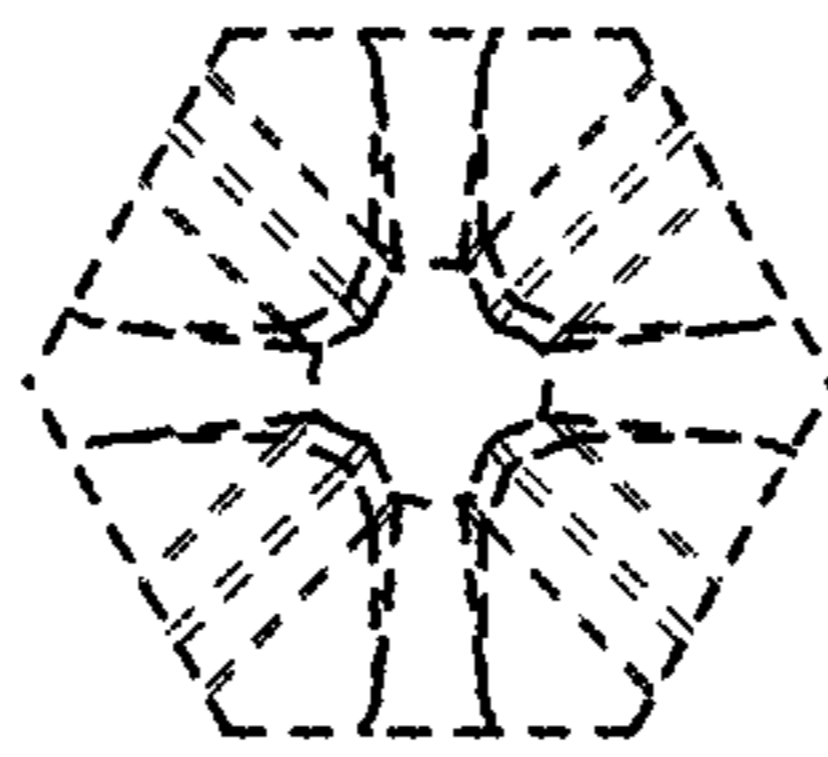


FIG. 6

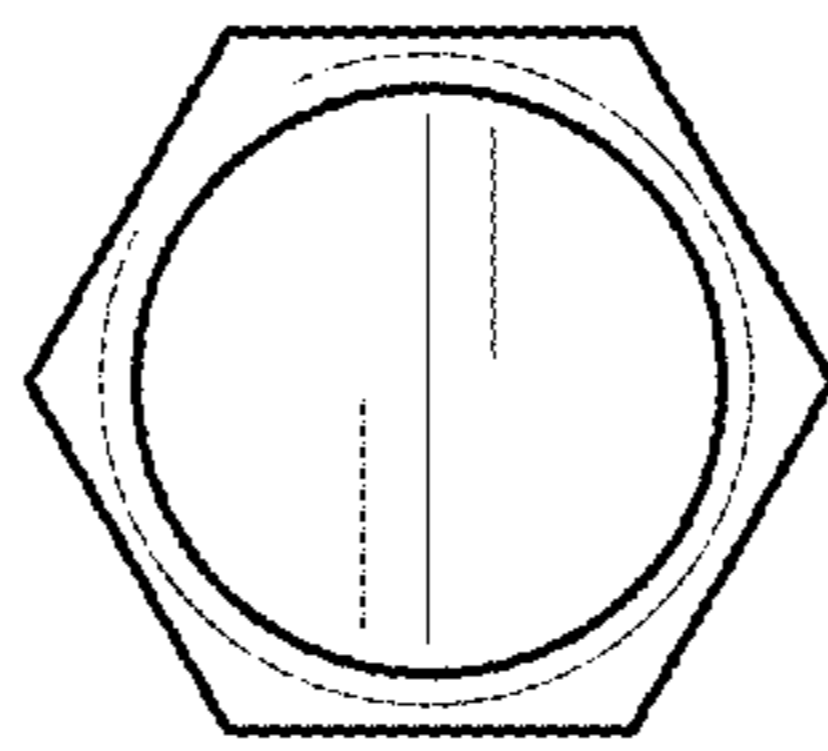


FIG. 7