



US00D841421S

(12) **United States Design Patent**
Ye

(10) **Patent No.:** **US D841,421 S**

(45) **Date of Patent:** **** Feb. 26, 2019**

(54) **MAGNET BOTTLE OPENER**

(71) Applicant: **Fengsuo Ye**, Guangzhou (CN)

(72) Inventor: **Fengsuo Ye**, Guangzhou (CN)

(**) Term: **15 Years**

(21) Appl. No.: **29/630,020**

(22) Filed: **Dec. 19, 2017**

(51) **LOC (11) Cl.** **07-99**

(52) **U.S. Cl.**
USPC **D8/34**

(58) **Field of Classification Search**
USPC D8/18, 33-43, 105, 107; D13/183
CPC B67B 7/00; B67B 7/04; B67B 7/06; B67B
7/14; B67B 7/16; B67B 7/18; B67B 7/32;
B67B 7/34; B67B 7/38; B67B 7/44
See application file for complete search history.

(56) **References Cited**

U.S. PATENT DOCUMENTS

1,755,086	A *	4/1930	Tapp	A47G 19/2205
					215/256
2,728,250	A *	12/1955	Robert	B67B 7/16
					81/3.08
D306,717	S *	3/1990	Matsutani	D13/183
D367,413	S *	2/1996	Ballin	D10/46.2
D428,567	S *	7/2000	Harris	D8/33
D445,322	S *	7/2001	Hames	D8/38

D506,910	S *	7/2005	Tham-itthisak	D7/509
D559,629	S *	1/2008	Gifford, Jr.	D7/608
7,404,345	B1 *	7/2008	Dipprey	B67B 7/16
					81/3.09
D629,691	S *	12/2010	Cresswell	D9/500
9,149,139	B1 *	10/2015	Rogers	A47G 23/02
D787,894	S *	5/2017	Seiders	D7/608
D807,125	S *	1/2018	Seiders	D7/608
D817,285	S *	5/2018	Cai	D13/183

* cited by examiner

Primary Examiner — Elizabeth A. Albert

(74) *Attorney, Agent, or Firm* — Yong Chen

(57) **CLAIM**

The ornamental design for a magnet bottle opener, as shown and described.

DESCRIPTION

FIG. 1 is a top view of a magnet bottle opener showing my new design.

FIG. 2 is a bottom view thereof.

FIG. 3 is a front view thereof, the back view being identical to the front view.

FIG. 4 is a left side view thereof.

FIG. 5 is a right side view thereof.

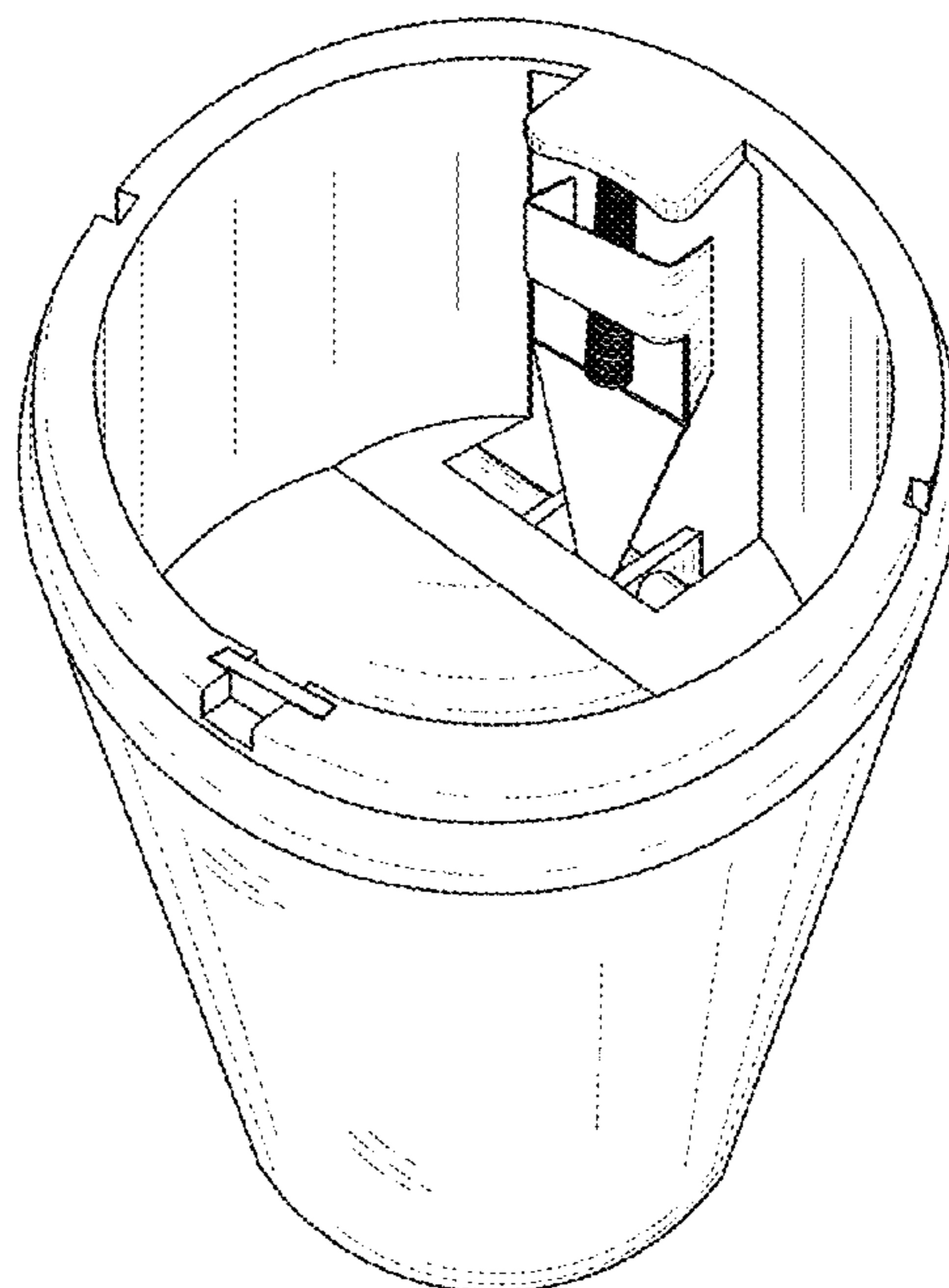
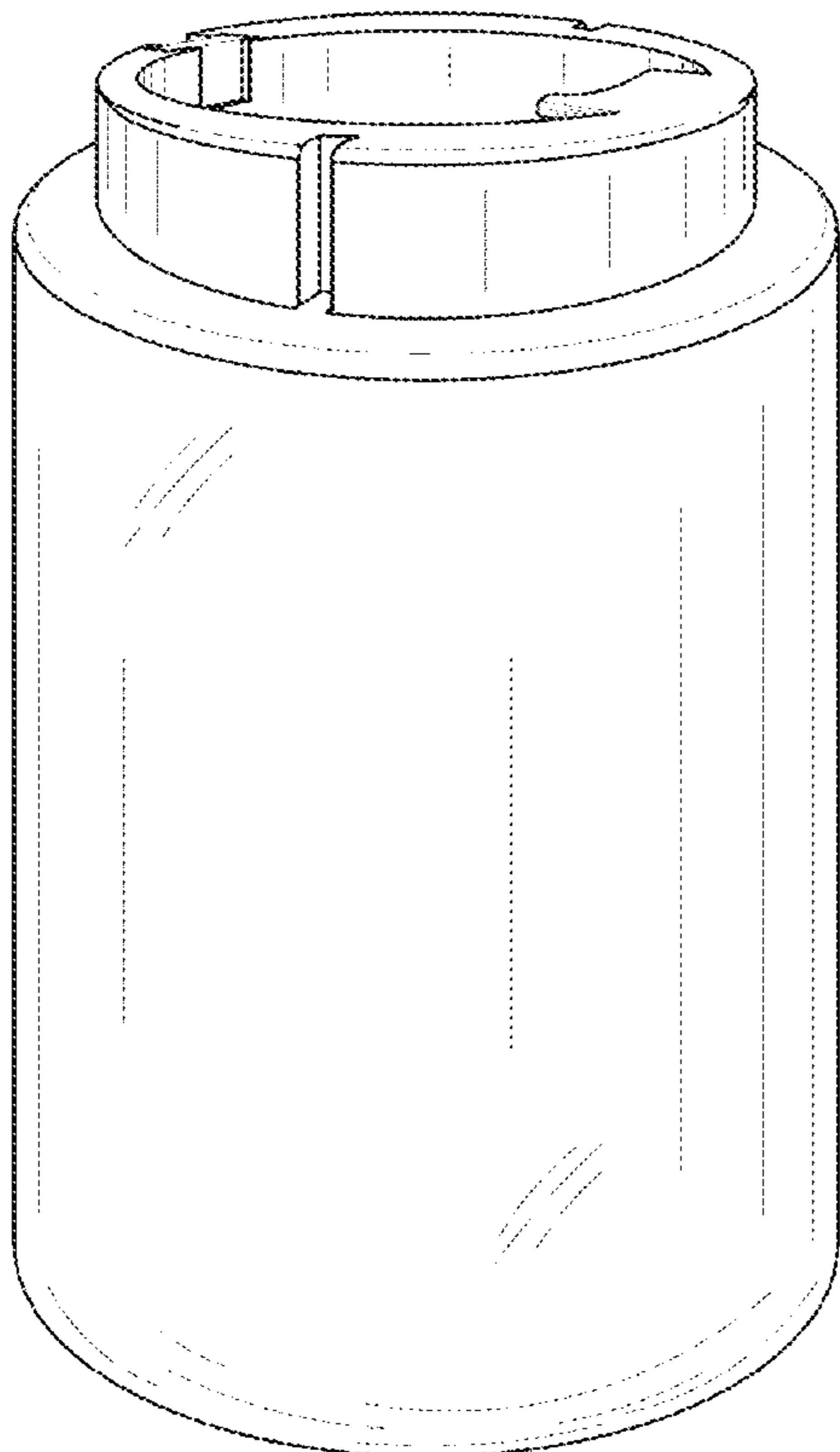
FIG. 6 is a first perspective view thereof.

FIG. 7 is a second perspective view thereof; and,

FIG. 8 is a third perspective view thereof.

The back view of the magnet bottle opener is identical to the front view shown in FIG. 3.

1 Claim, 8 Drawing Sheets



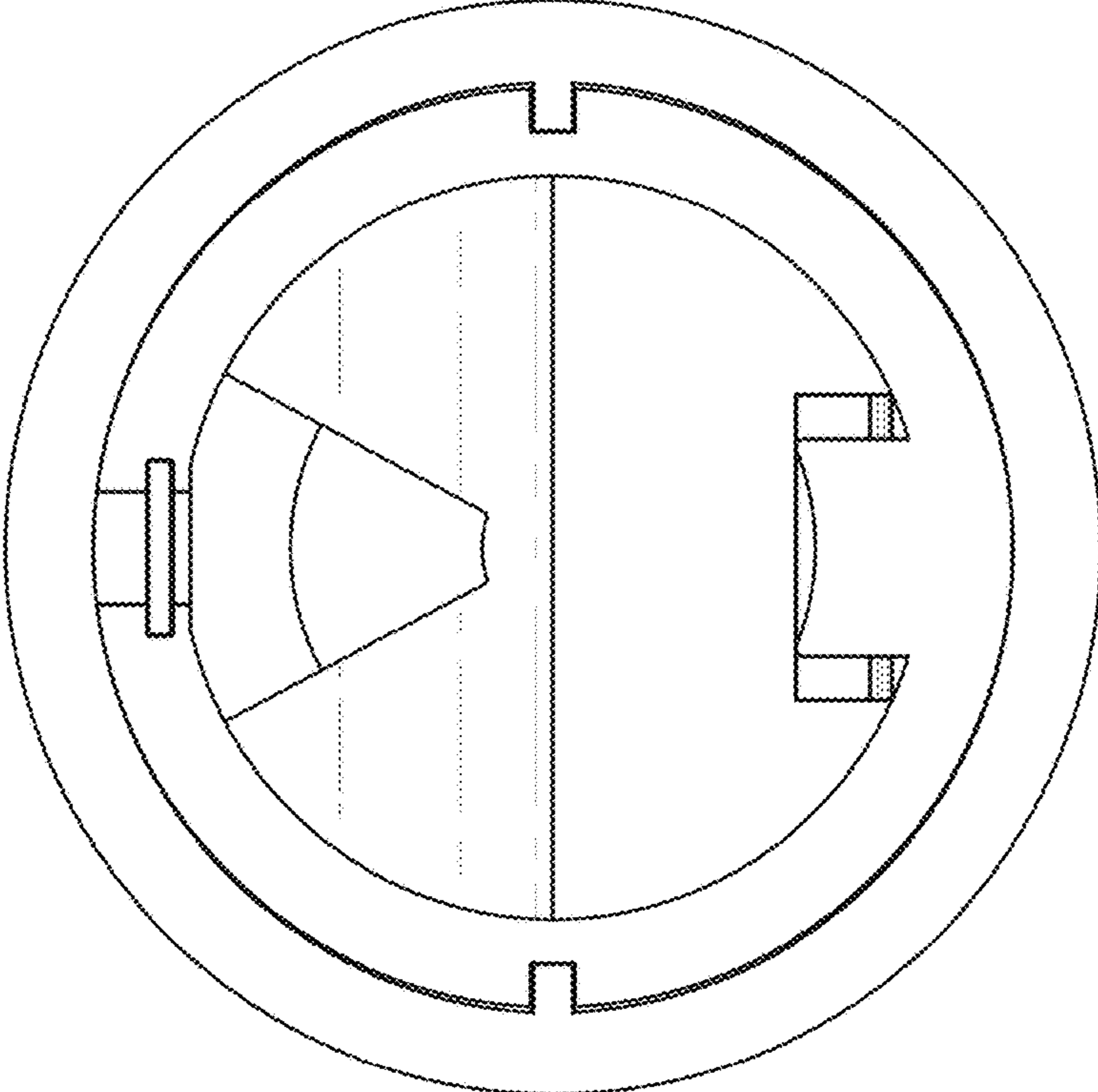


FIG. 1

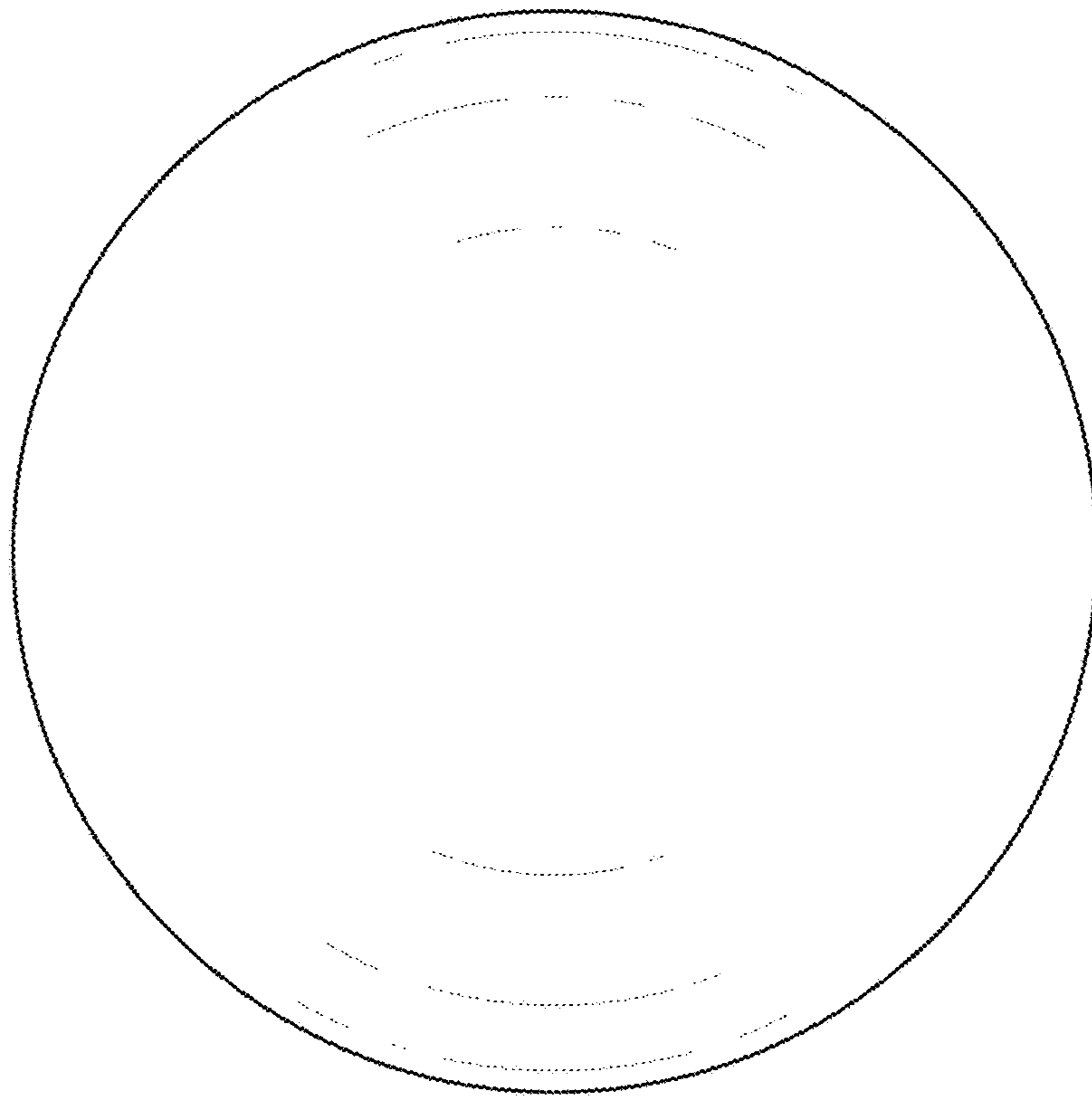


FIG. 2

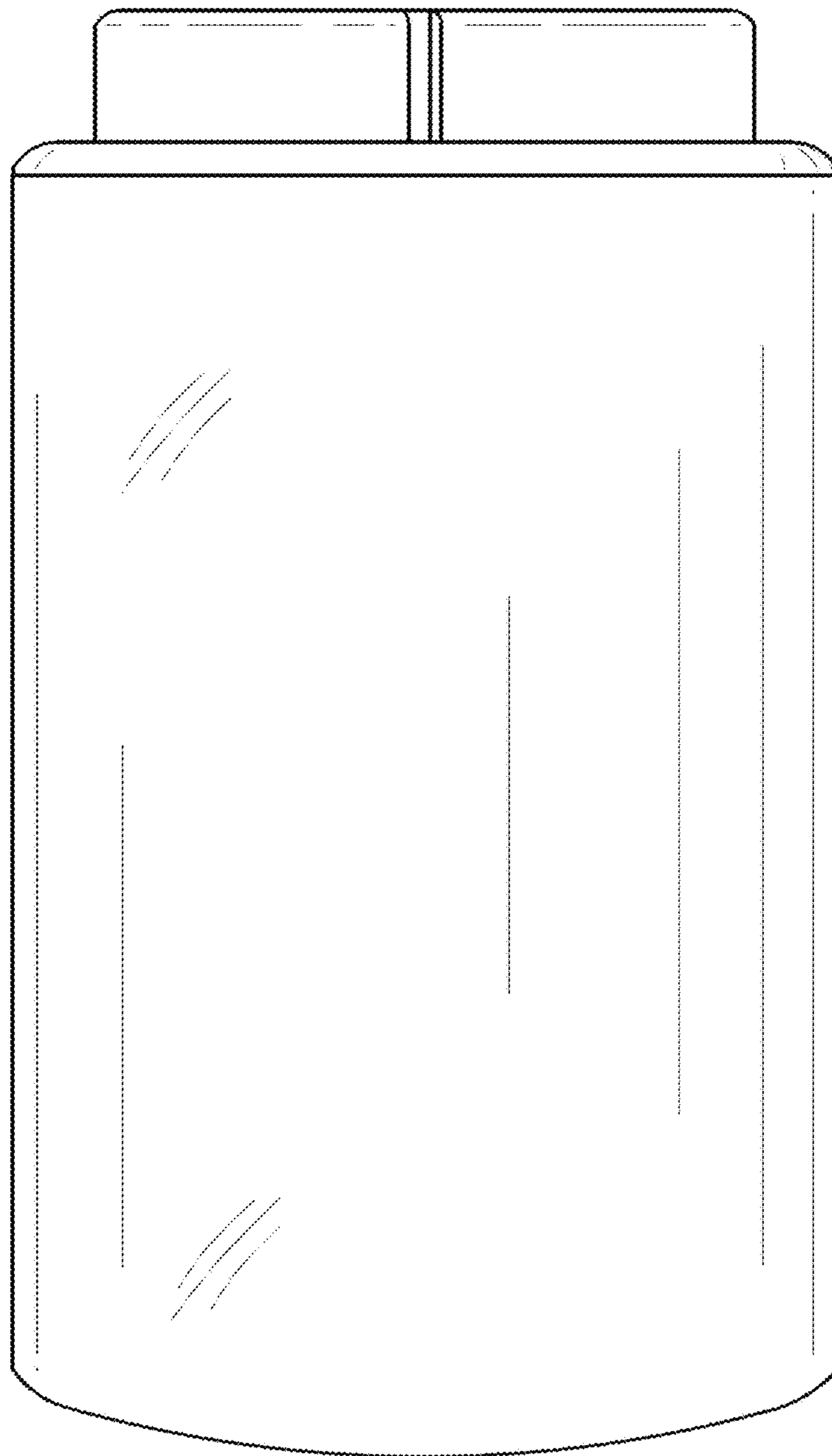


FIG. 3

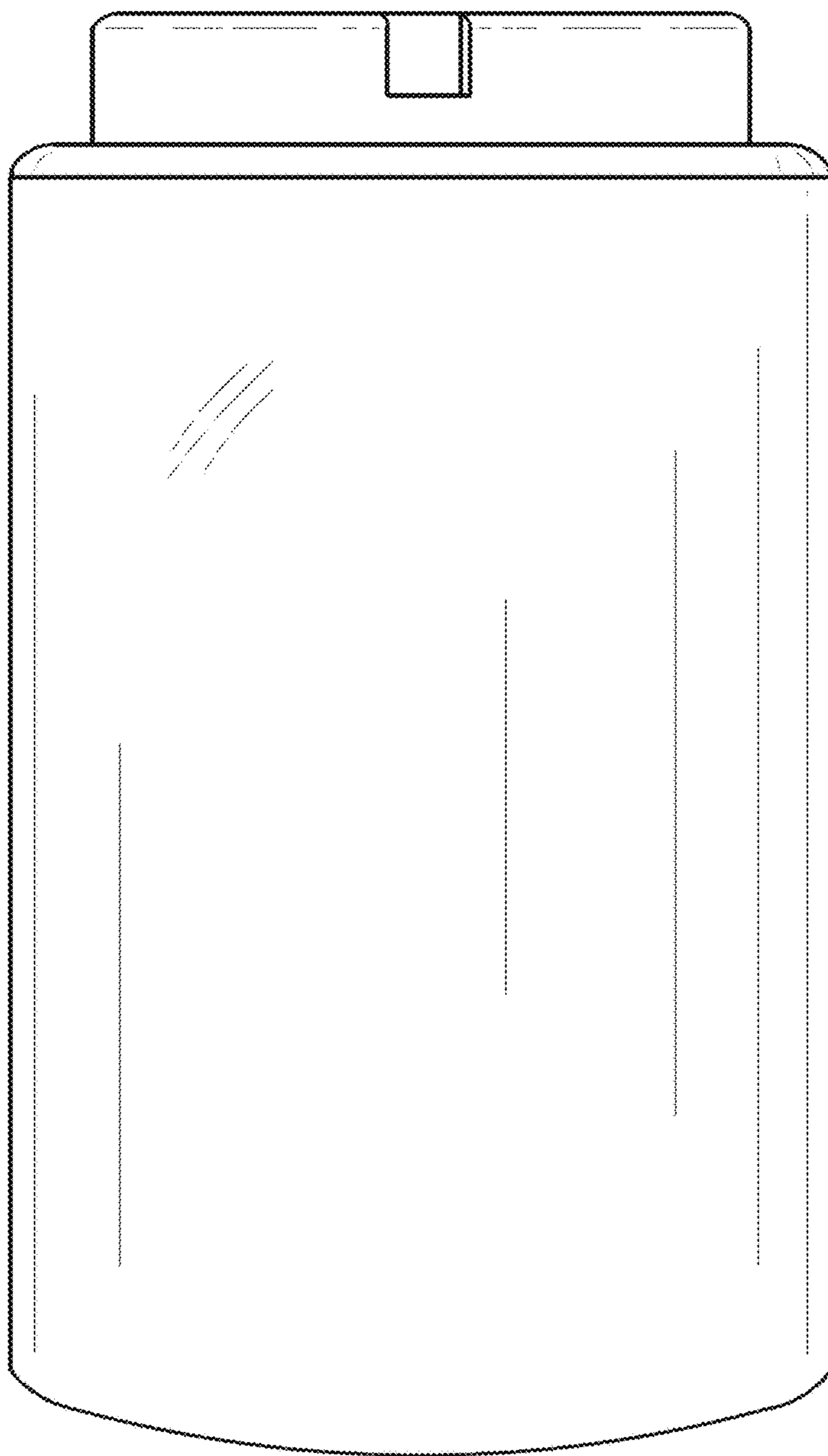


FIG. 4

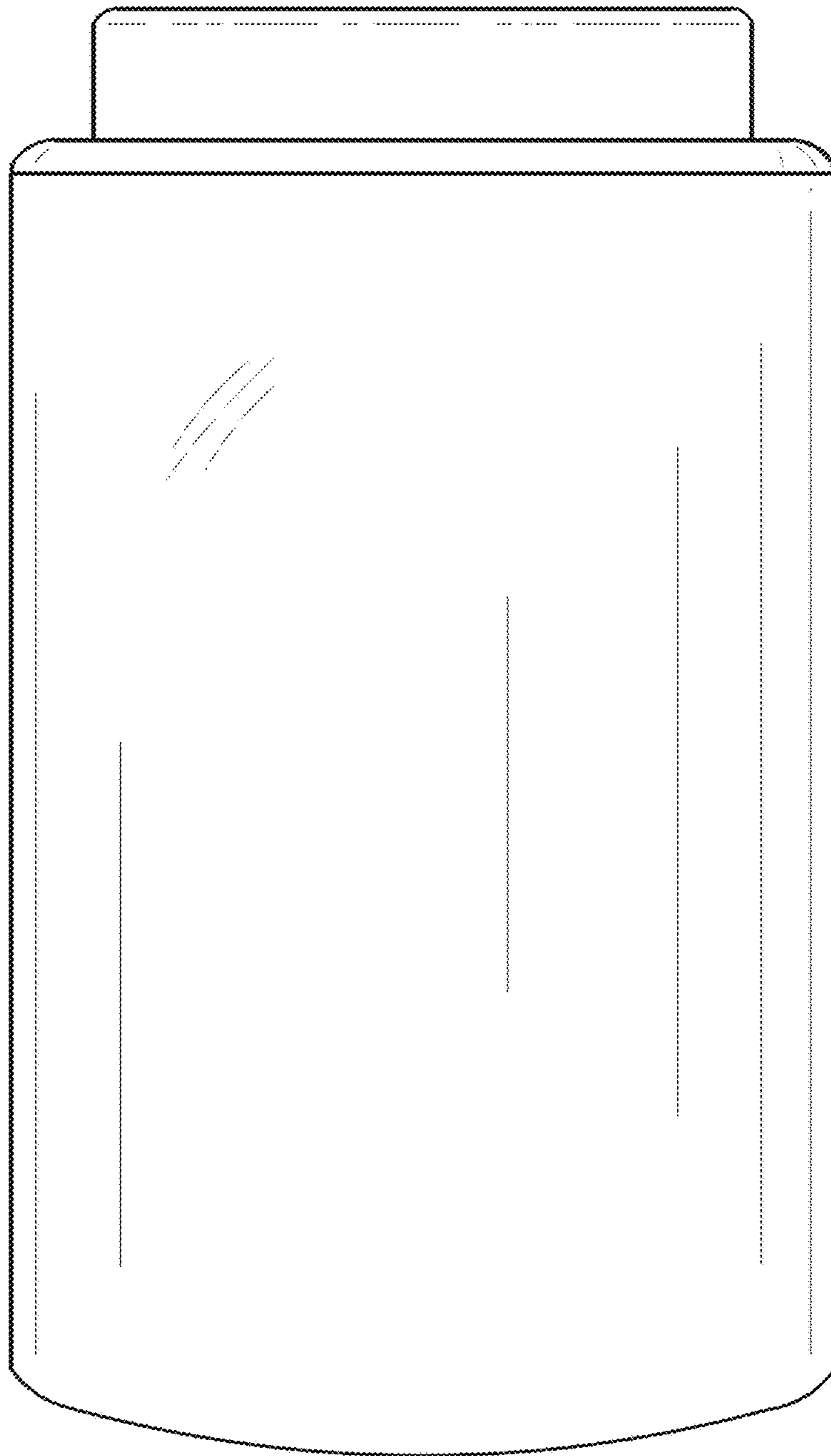


FIG. 5

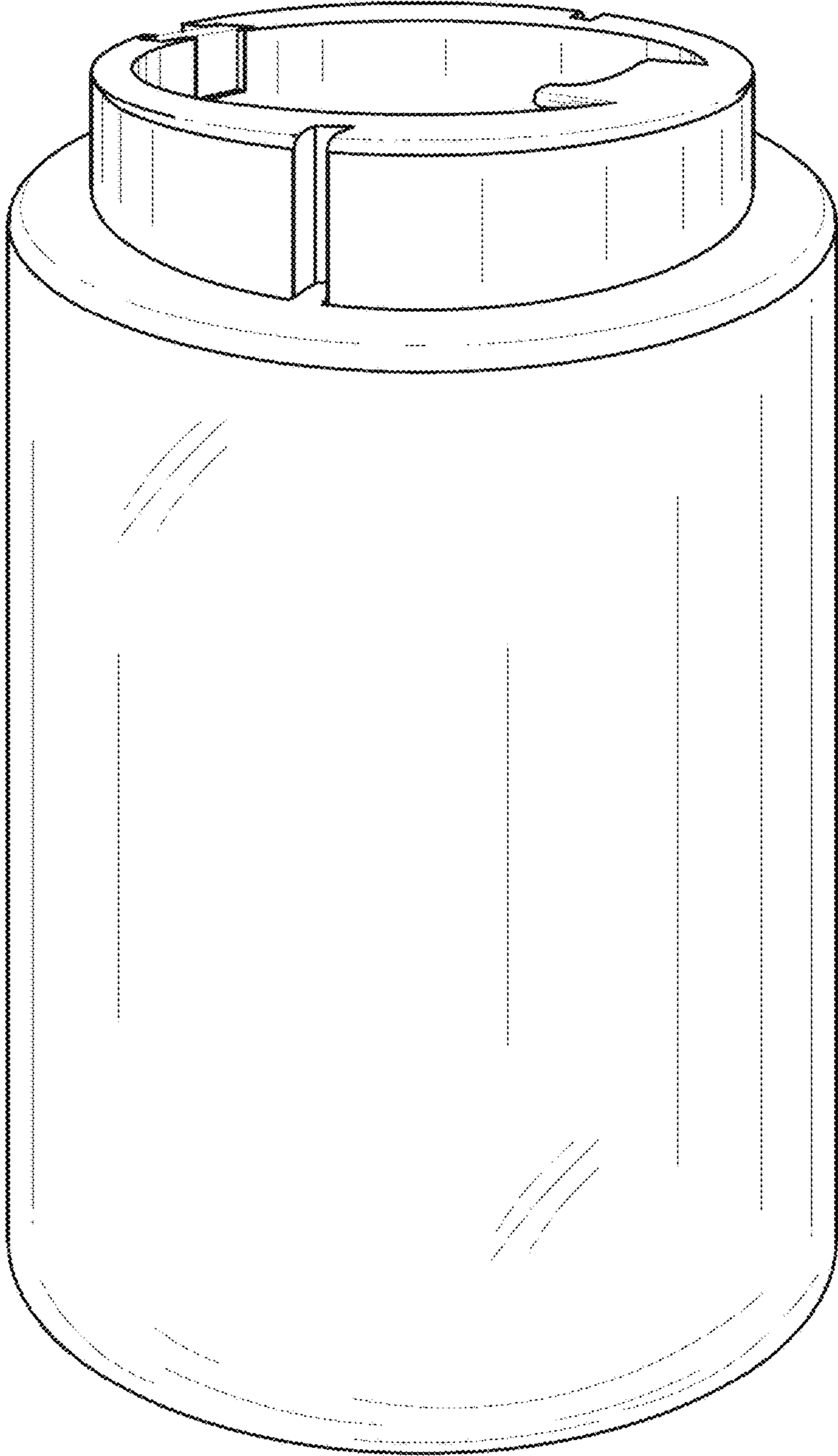


FIG. 6

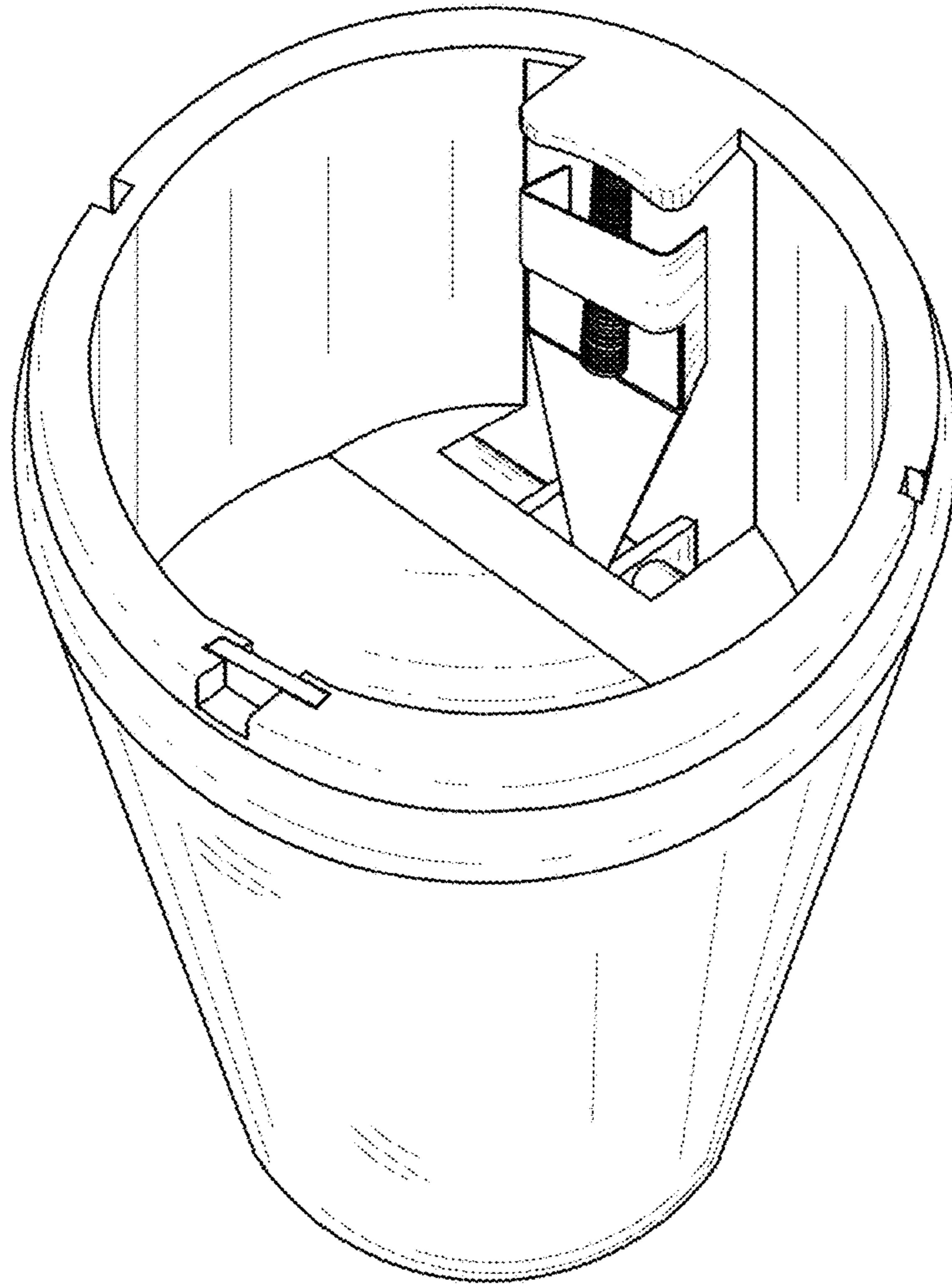


FIG. 7

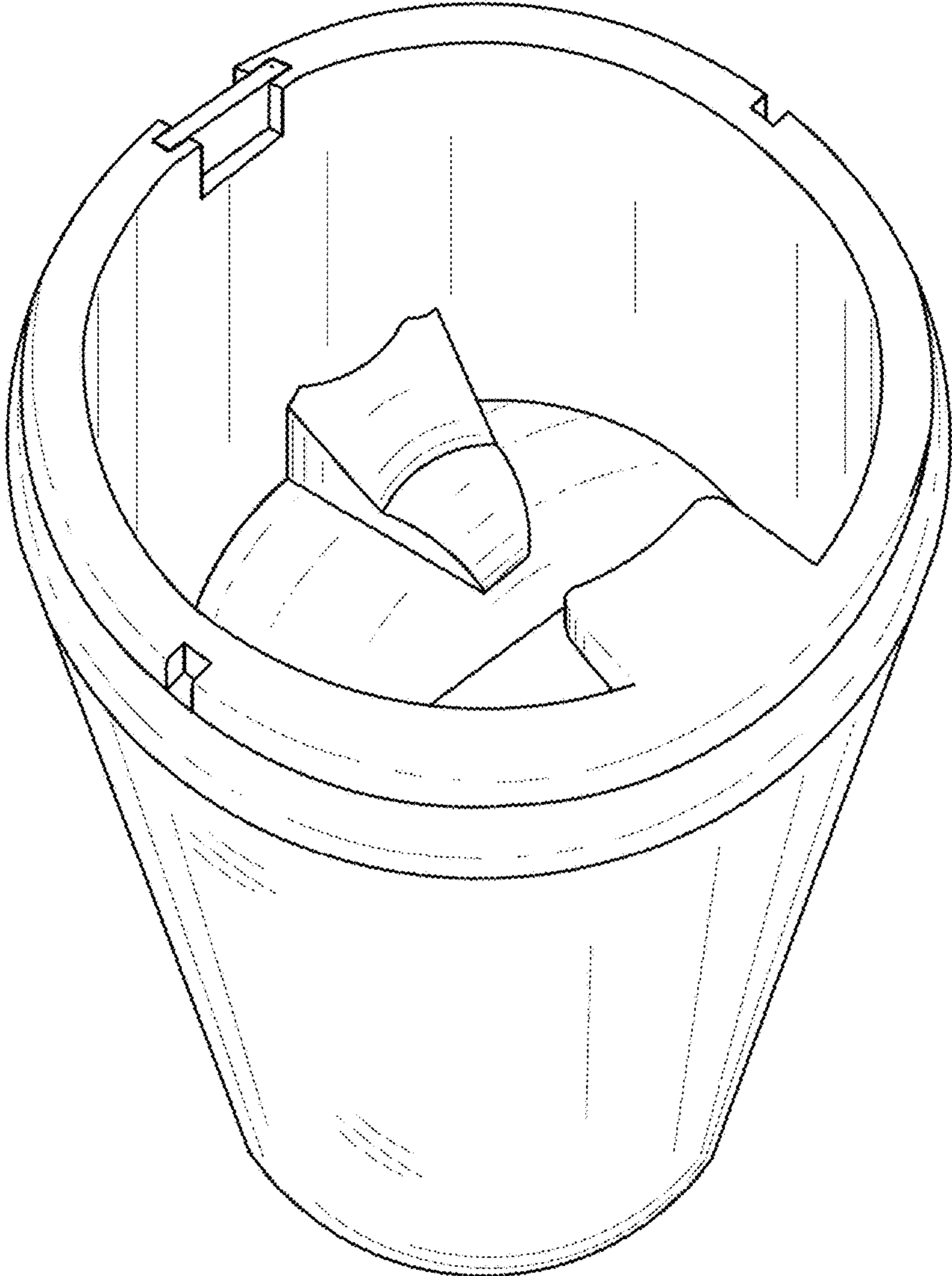


FIG. 8