



US00D841420S

(12) **United States Design Patent** (10) **Patent No.:** **US D841,420 S**  
**Key** (45) **Date of Patent:** **\*\* Feb. 26, 2019**

- (54) **CLOSED IMPELLER TOOL**
- (71) Applicant: **Michael Key**, Dayton, TX (US)
- (72) Inventor: **Michael Key**, Dayton, TX (US)
- (\*\*) Term: **15 Years**
- (21) Appl. No.: **29/641,155**
- (22) Filed: **Mar. 20, 2018**

D431,981 S *	10/2000	Aparnieks .....	D8/21
6,185,817 B1	2/2001	Sims et al.	
7,000,505 B2	2/2006	Hsien	
D629,820 S *	12/2010	Van Ryswyk .....	D15/139
8,505,417 B2	8/2013	Hui et al.	
D689,352 S *	9/2013	Cecil .....	D8/29
D726,518 S *	4/2015	Terpsma .....	D8/29

\* cited by examiner

*Primary Examiner* — Randall H Gholson  
(74) *Attorney, Agent, or Firm* — The Compton Law Firm, P.C.; Scott D. Compton

**Related U.S. Application Data**

- (63) Continuation-in-part of application No. 14/798,386, filed on Jul. 13, 2015, now Pat. No. 9,957,979.
- (51) **LOC (11) Cl.** ..... **08-05**
- (52) **U.S. Cl.**  
USPC ..... **D8/29**
- (58) **Field of Classification Search**  
USPC ..... D8/29; 81/60, 177.1, 177.85, 121.1, 81/124.3, 165-170, 110.1, 176.2, 124.6, 81/176.1, 176.15, 177.2, 186; 16/110.1  
CPC ..... B25B 13/06; B25B 13/065  
See application file for complete search history.

(57) **CLAIM**

The ornamental design for a closed impeller tool, as shown and described.

**DESCRIPTION**

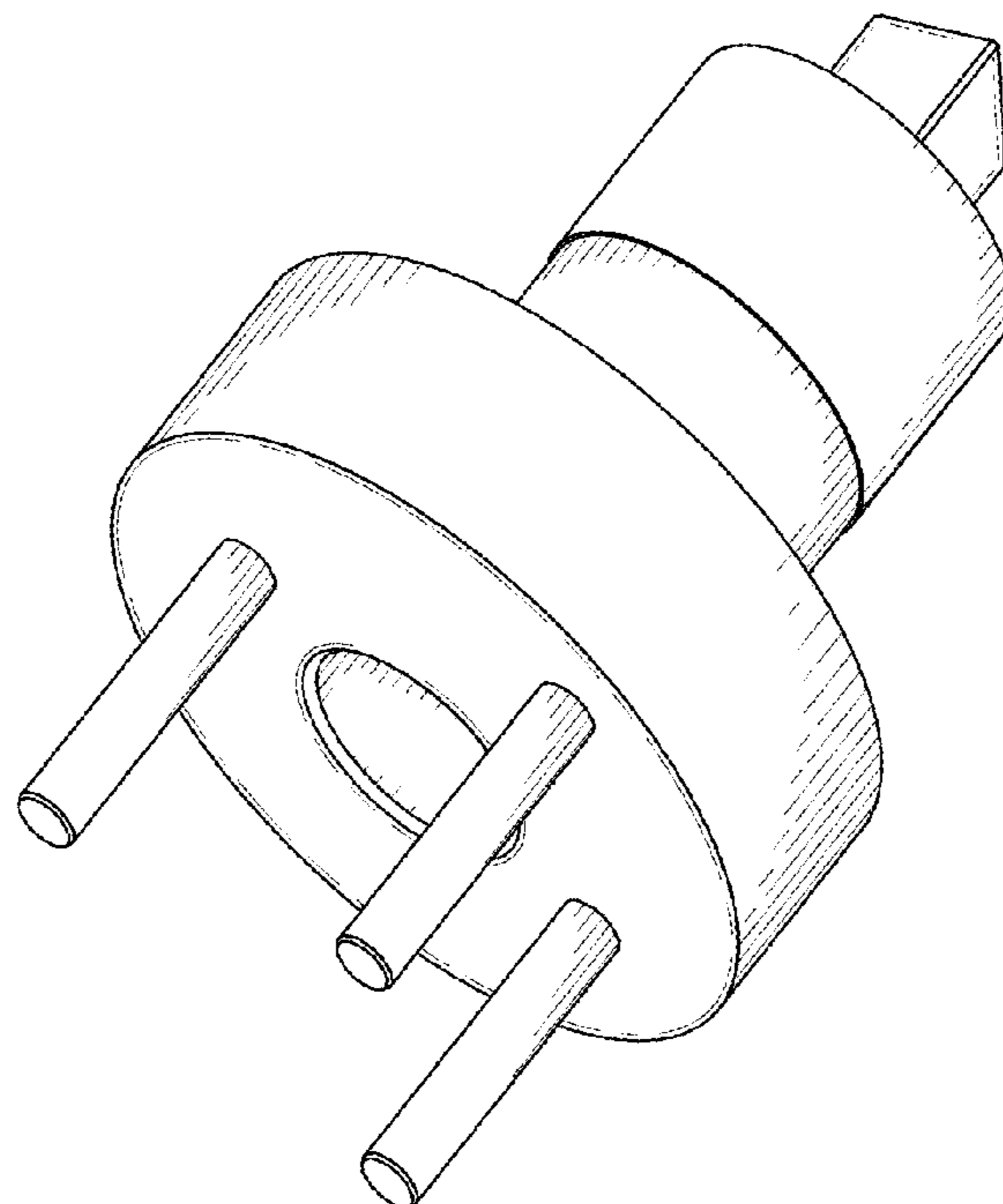
FIG. 1 is a bottom perspective view of closed impeller tool showing my new design;  
 FIG. 2 is a front view of the closed impeller tool;  
 FIG. 3 is a back view of the closed impeller tool;  
 FIG. 4 is a left side view of the closed impeller tool;  
 FIG. 5 is a right side view of the closed impeller tool;  
 FIG. 6 is a bottom view of the closed impeller tool;  
 FIG. 7 is a top view of the closed impeller tool; and,  
 FIG. 8 is a perspective view of the closed impeller tool including a phantom closed impeller and pump.  
 The broken lines in the drawings form no part of the claimed design and the broken lines of the closed impeller and pump of FIG. 8 are illustrative of environment and are not intended to form a part of the claimed design.

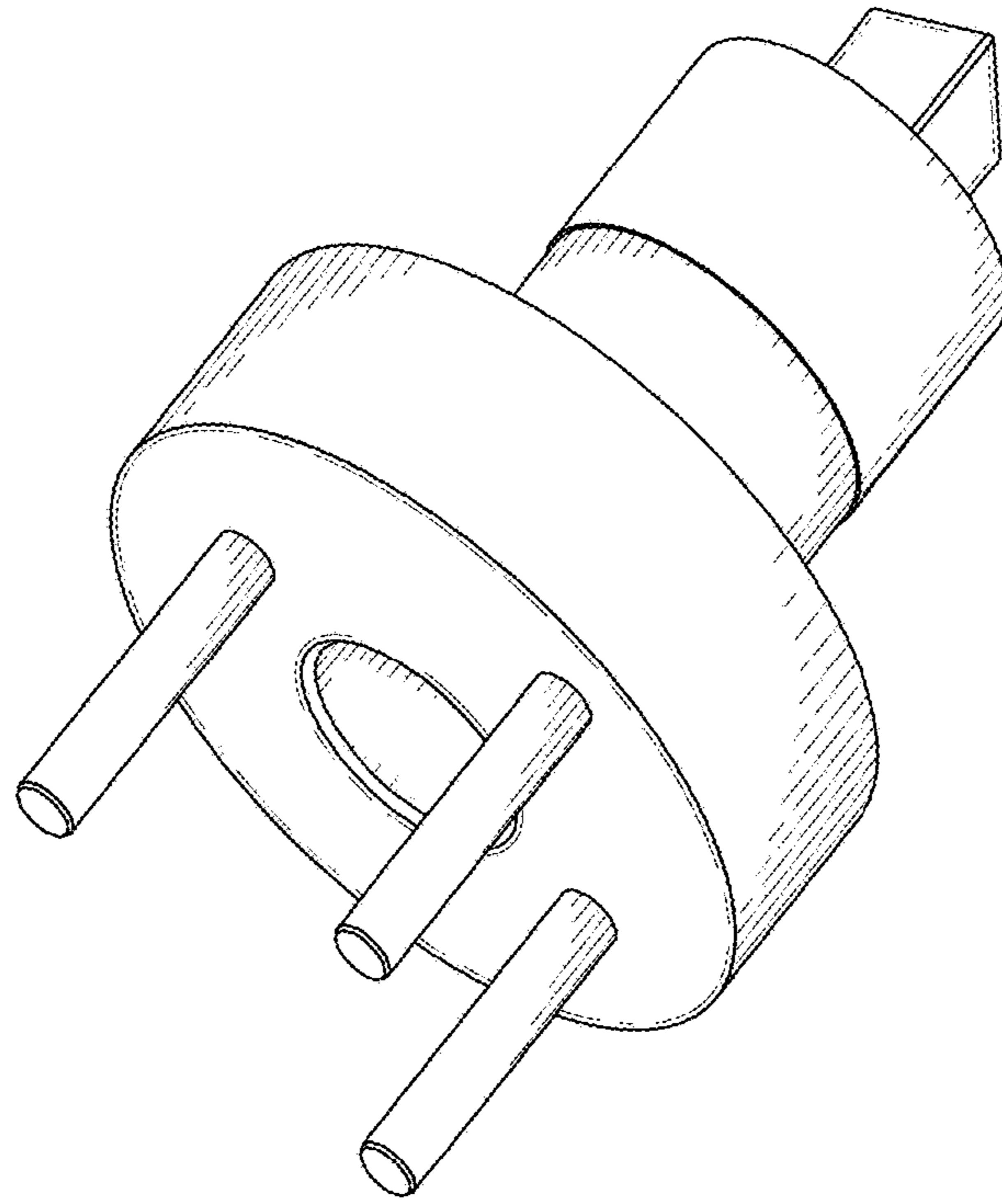
(56) **References Cited**

**U.S. PATENT DOCUMENTS**

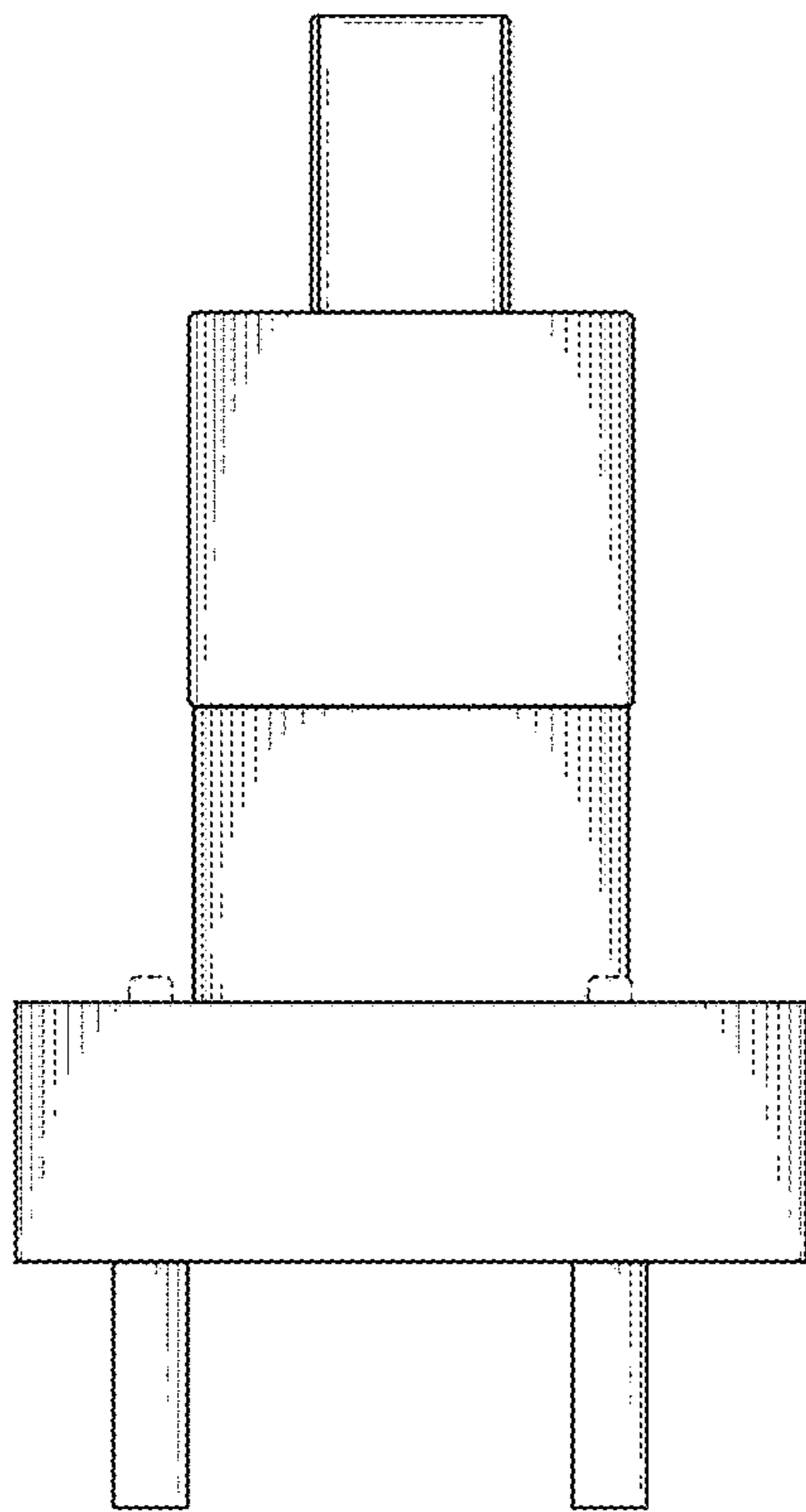
2,605,665 A *	8/1952	Grenat .....	B25F 1/00
			72/458
D261,606 S *	11/1981	La Fargo .....	81/119
D274,881 S *	7/1984	Wilsey .....	D8/29
4,864,709 A *	9/1989	Klucz .....	B25B 27/023
			29/259
4,934,037 A	6/1990	Schuerg et al.	

**1 Claim, 3 Drawing Sheets**

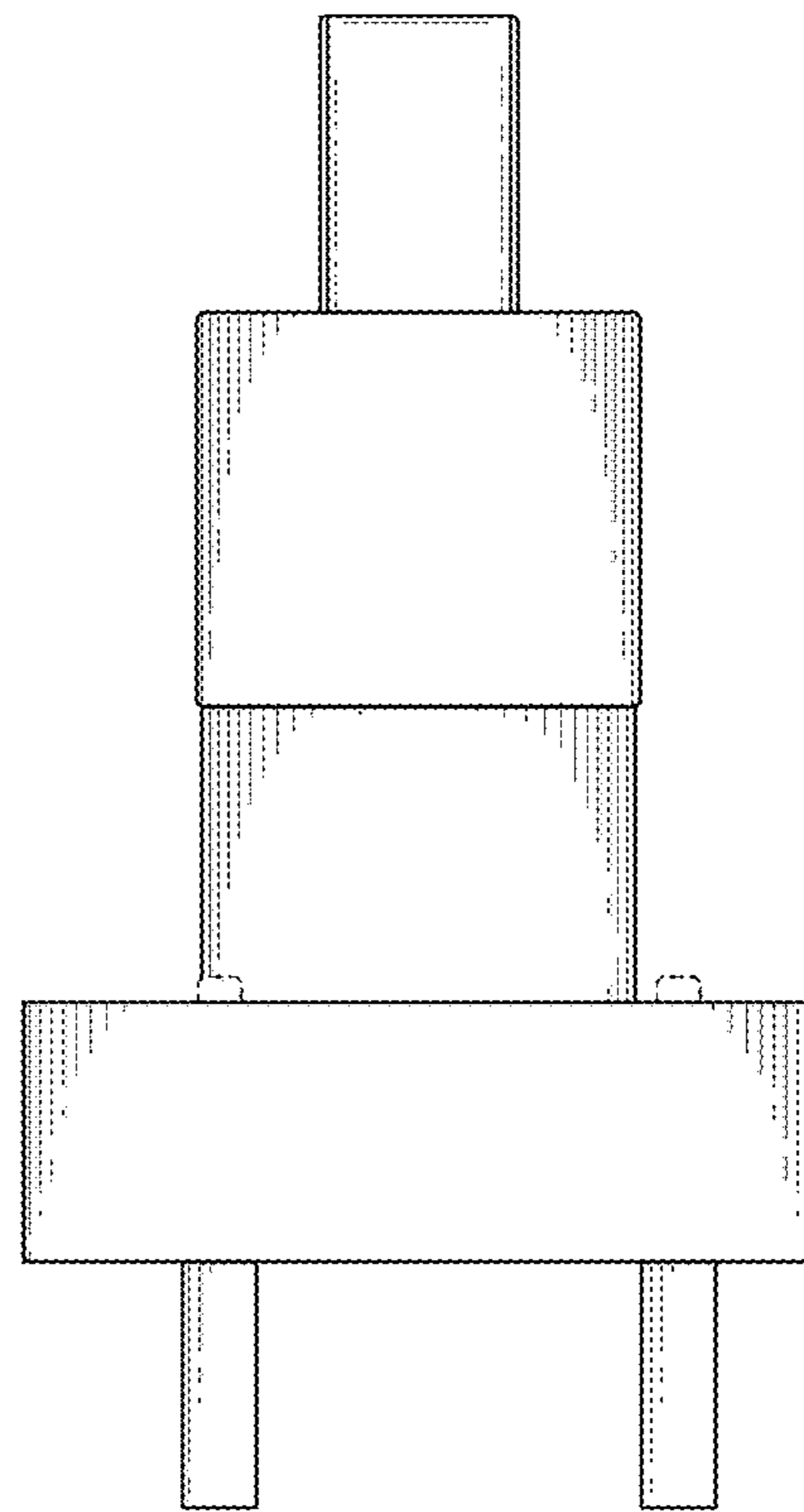




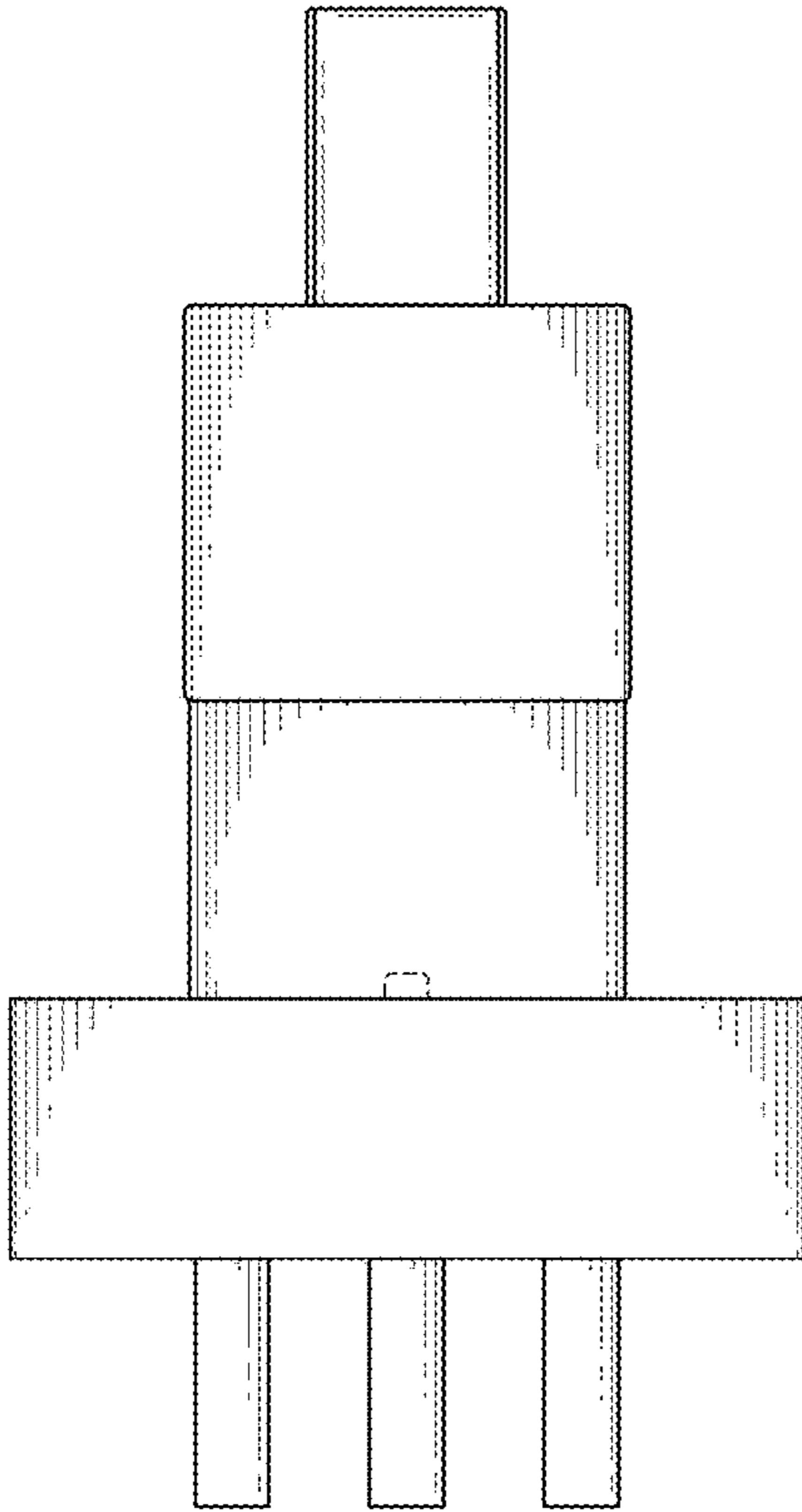
**FIG. 1**



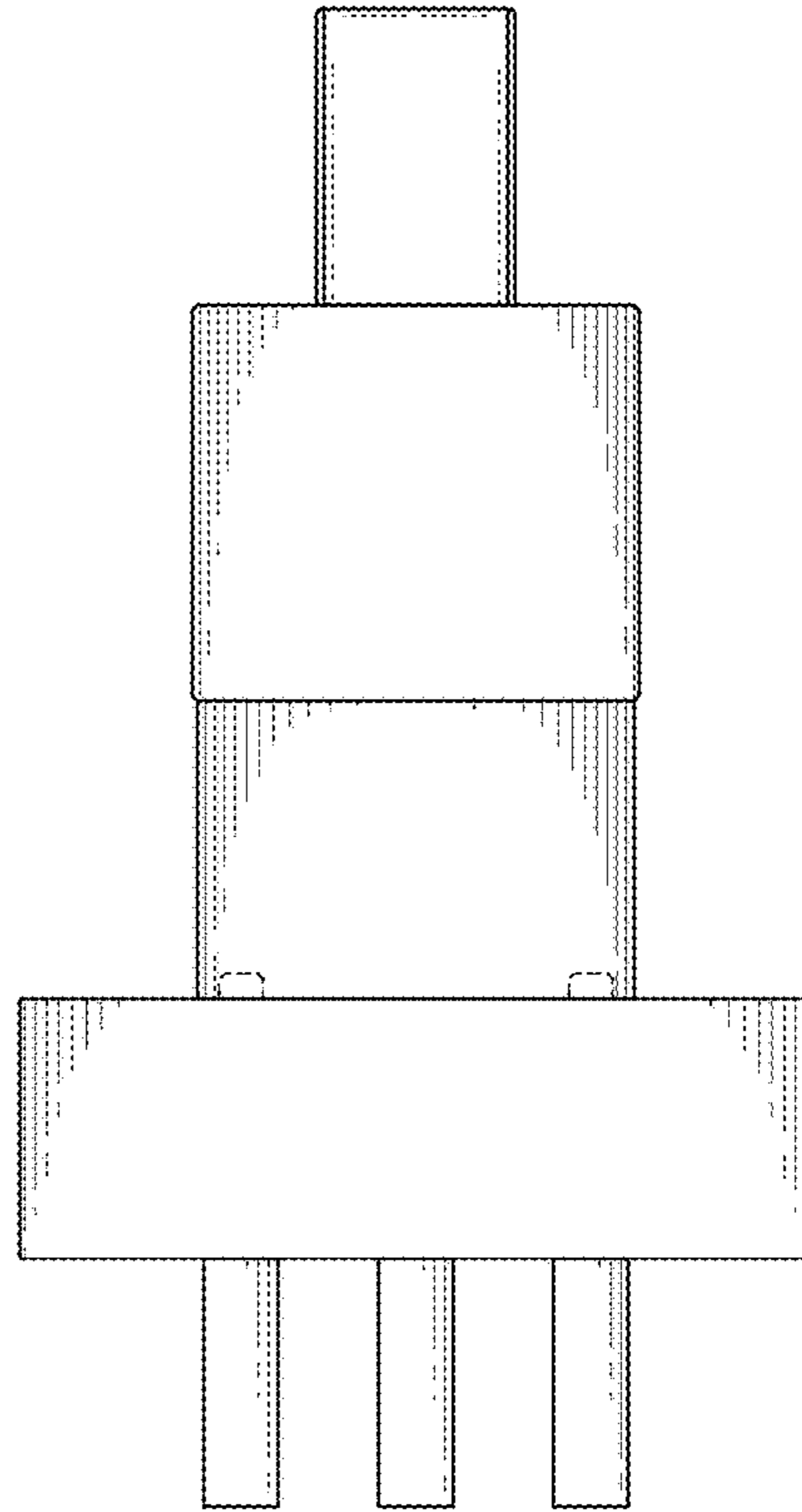
**FIG. 2**



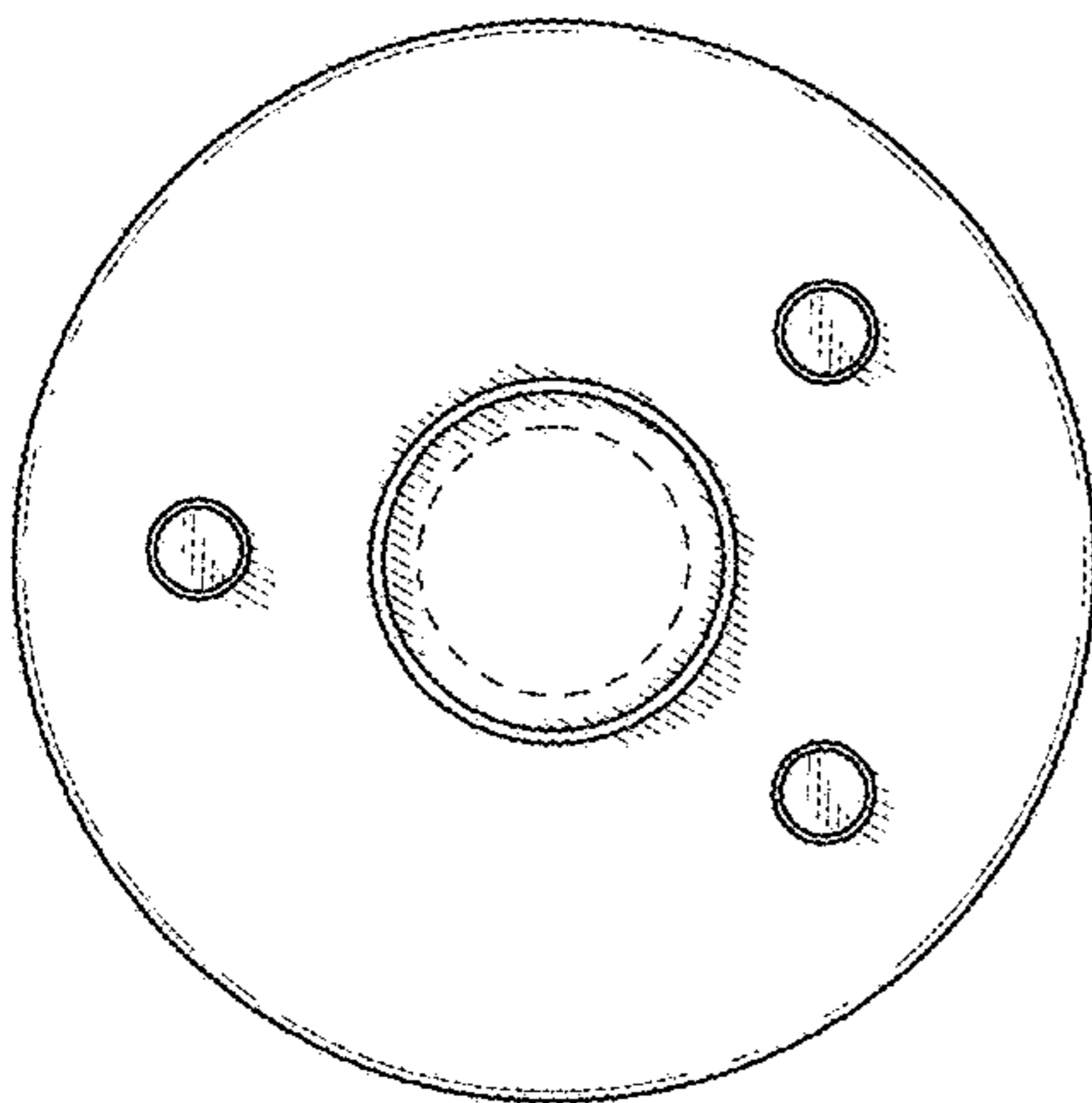
**FIG. 3**



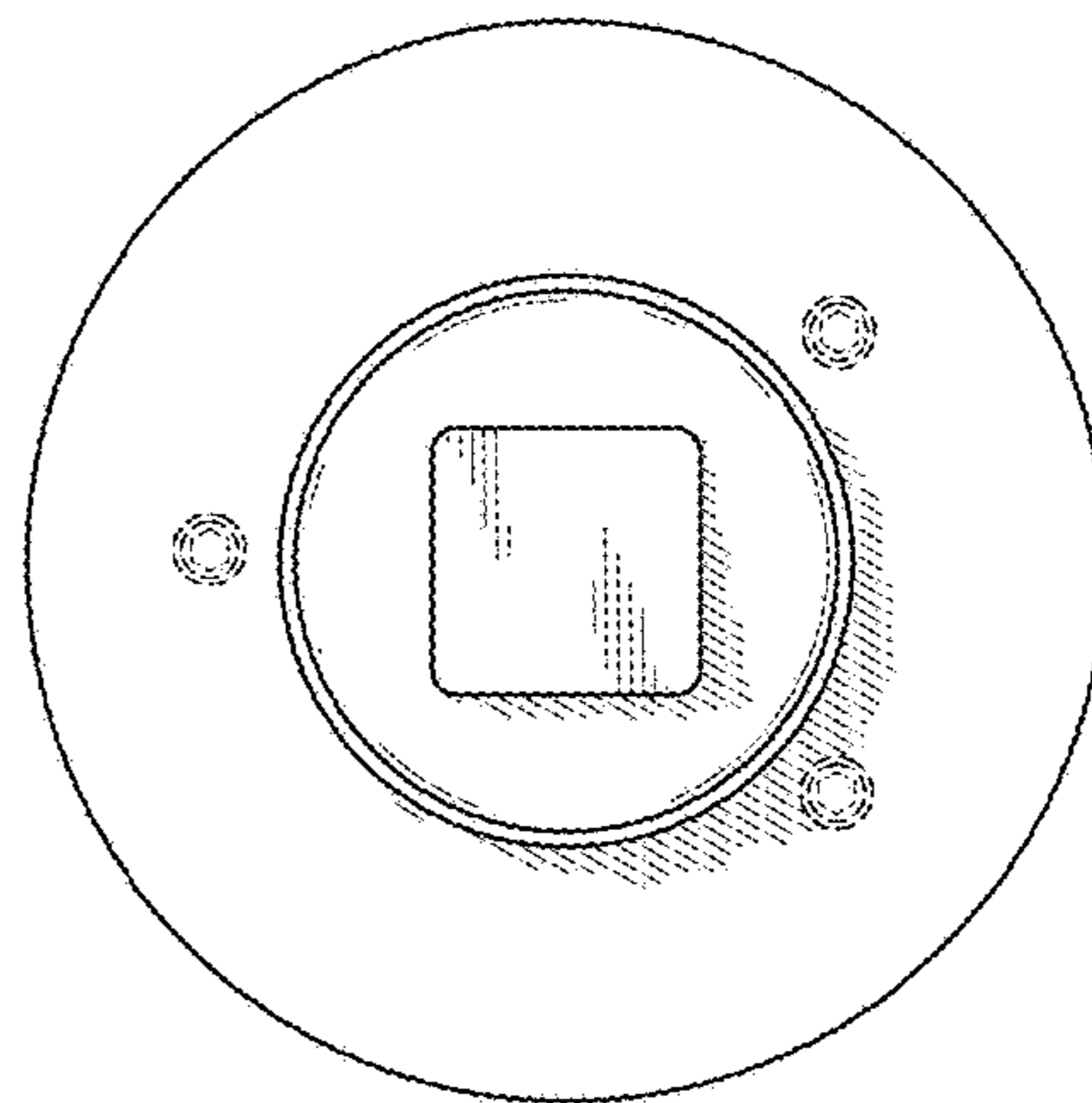
**FIG. 4**



**FIG. 5**



**FIG. 6**



**FIG. 7**

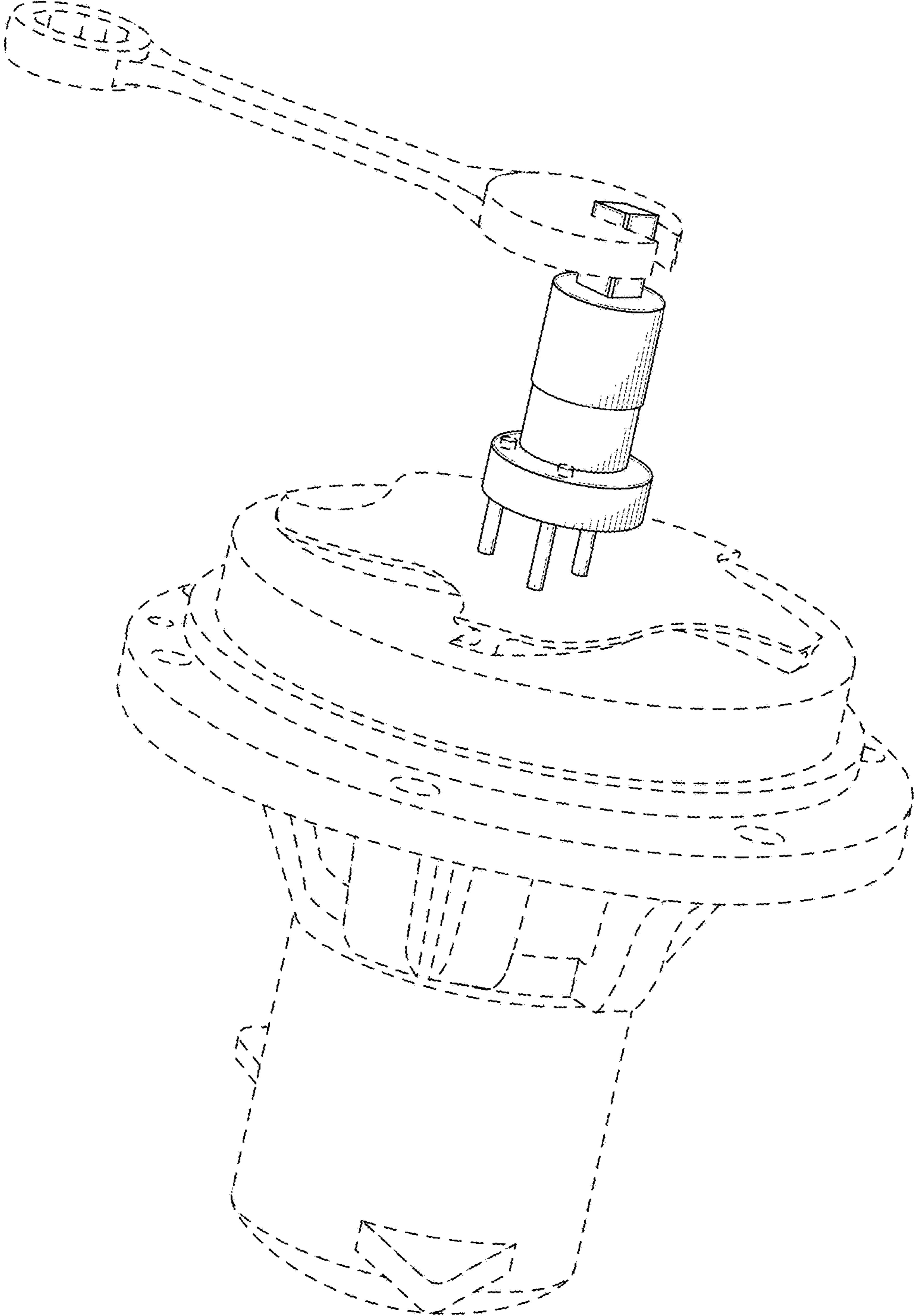


FIG. 8