



US00D841417S

(12) **United States Design Patent** (10) **Patent No.:** **US D841,417 S**
Butzen et al. (45) **Date of Patent:** **** Feb. 26, 2019**

(54) **SAW BLADE**

FOREIGN PATENT DOCUMENTS

(71) Applicant: **MILWAUKEE ELECTRIC TOOL CORPORATION**, Brookfield, WI (US)

GB 2009670 6/1979
JP 10328930 12/1998

(Continued)

(72) Inventors: **Robert W. Butzen**, Colgate, WI (US);
Austin J. Kazda, Wauwatosa, WI (US);
Andrew J. Schulz, Slinger, WI (US)

OTHER PUBLICATIONS

(73) Assignee: **MILWAUKEE ELECTRIC TOOL CORPORATION**, Brookfield, WI (US)

Bosch, Heavy Use Reciprocating Saw Blades, Available Dec. 23, 2009, Retrieved from the Internet <URL:http://www.boschtools.com/Products/Accessories/Pages/BoschProductCategory.aspx?catid=128>.

(**) Term: **15 Years**

(Continued)

(21) Appl. No.: **29/604,198**

Primary Examiner — Elizabeth A. Albert

(22) Filed: **May 16, 2017**

(74) *Attorney, Agent, or Firm* — Michael Best & Friedrich LLP

Related U.S. Application Data

(63) Continuation of application No. 13/281,540, filed on Oct. 26, 2011, which is a continuation-in-part of application No. 13/092,498, filed on Apr. 22, 2011, now Pat. No. 8,689,667.

(57) **CLAIM**

We claim the ornamental design for a saw blade, as shown and described.

(51) **LOC (11) Cl.** **08-03**

(52) **U.S. Cl.**
USPC **D8/20**

DESCRIPTION

(58) **Field of Classification Search**
USPC D8/19, 20, 70, 98, 99, 100, 101;
D15/133, 134, 139
CPC B23D 61/12; B23D 61/121; B23D 61/123;
B23D 61/126; B23D 49/14; B23D
61/006; B23D 61/127; B23D 61/128;
B23D 61/14; B23D 61/18; D26B 9/00;
D26B 9/02

FIG. 1 is a perspective view of a saw blade embodying the invention.

FIG. 2 is a side view of the saw blade of FIG. 1.

FIG. 3 is an enlarged view of a portion of the saw blade of FIG. 1.

FIG. 4 is a perspective view of another saw blade embodying the invention.

FIG. 5 is a side view of the saw blade of FIG. 4; and,

FIG. 6 is an enlarged view of a portion of the saw blade of FIG. 4.

The evenly spaced broken lines in FIGS. 1-2 are for the purpose of showing portions of the saw blade that form no part of the claimed design.

The long and short broken lines in FIGS. 1-3 that define the bounds of the claimed design form no part thereof.

See application file for complete search history.

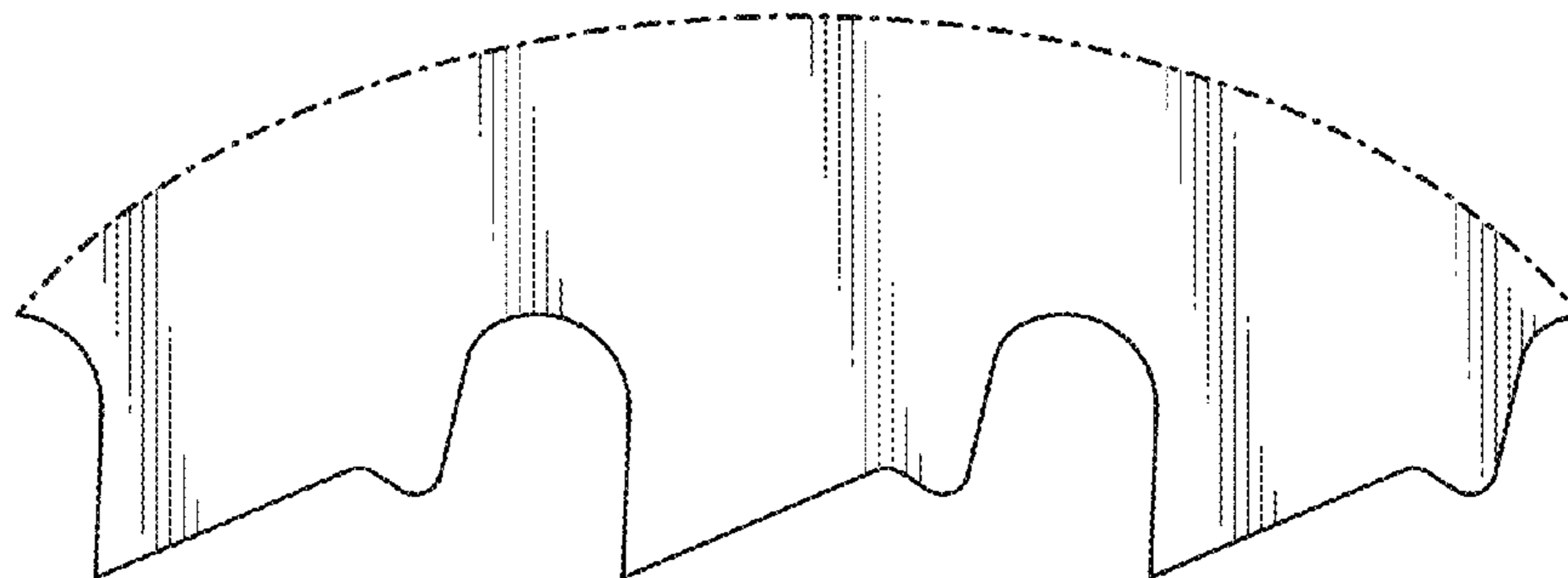
(56) **References Cited**

U.S. PATENT DOCUMENTS

81,413 A 8/1868 Sattler
82,289 A 9/1868 Burgess
293,576 A 2/1884 Haselton
349,143 A 9/1886 Clemson

(Continued)

1 Claim, 4 Drawing Sheets



(56)

References Cited

U.S. PATENT DOCUMENTS

566,865 A	9/1896	Morrish		5,848,473 A	12/1998	Brandenburg, Jr.
576,724 A	2/1897	Foster		5,855,157 A	1/1999	Okamura et al.
820,969 A	5/1906	Grelck		5,855,158 A	1/1999	Donofrio
1,390,400 A	9/1921	Threet		5,868,058 A	2/1999	Senegas
1,876,945 A	9/1932	Hutchings		5,884,547 A	3/1999	Carlsen et al.
2,573,573 A *	10/1951	Jenkins	B23D 51/02 123/195 R	5,896,800 A	4/1999	Curtsinger et al.
2,646,094 A	7/1953	Russell		5,901,630 A	5/1999	Kataoka et al.
2,890,728 A	6/1959	Craven		5,918,525 A	7/1999	Schramm
2,916,066 A	12/1959	Morse		5,946,985 A	9/1999	Carlsen et al.
3,176,732 A	9/1961	Henderson		5,964,039 A	10/1999	Mizoguchi et al.
3,028,889 A	4/1962	McCarty		6,003,422 A	12/1999	Holston
3,033,251 A	5/1962	Atkinson et al.		6,065,370 A	5/2000	Curtsinger et al.
3,111,970 A	11/1963	Priest et al.		6,065,380 A	5/2000	Lundh
3,357,462 A	12/1967	Craven		6,119,571 A	9/2000	Hayden, Sr.
3,477,479 A	11/1969	Doty		6,125,544 A	10/2000	Eriksson et al.
3,630,699 A *	12/1971	Catlin	B23D 65/00 451/356	6,158,324 A	12/2000	Kullmann et al.
3,651,841 A	3/1972	Ohlsson		6,167,792 B1	1/2001	Korb et al.
3,680,610 A	8/1972	Lindgren		D438,549 S	3/2001	Tsujimoto
4,119,004 A	10/1978	Ludwig		6,220,139 B1	4/2001	Kobayashi et al.
4,137,808 A	2/1979	Mattes		6,220,140 B1	4/2001	Hellebergh
4,179,967 A	12/1979	Clark		6,244,152 B1	6/2001	Di Nicolantonio
4,232,578 A	11/1980	Stellinger et al.		6,257,226 B1	7/2001	Hayden, Sr.
4,236,432 A	12/1980	Kawakami et al.		6,269,722 B1	8/2001	Hellbergh
4,292,871 A	10/1981	Neumeyer et al.		6,276,248 B1	8/2001	Cranna
4,311,075 A	1/1982	Sundström		6,276,249 B1	8/2001	Handschuh et al.
4,339,977 A	7/1982	Miller		6,357,122 B2	3/2002	Bachta
4,345,499 A	8/1982	Ross		6,401,585 B1	6/2002	Morgan
4,423,553 A	1/1984	Miyawaki		6,427,573 B1	8/2002	Carlsen et al.
4,423,653 A	1/1984	Howard		6,439,094 B1	8/2002	Yoneda et al.
4,432,264 A	2/1984	Scott		6,497,046 B1	12/2002	Bardeen et al.
4,461,198 A	7/1984	Grassmann		6,520,722 B2	2/2003	Hopper et al.
4,492,141 A	1/1985	Takeuchi		6,532,852 B1	3/2003	Tsujimoto et al.
4,515,055 A	5/1985	Scott		6,543,326 B2	4/2003	Bishop
4,557,172 A	12/1985	Yoneda		6,588,992 B2	7/2003	Rudolph
4,587,876 A	5/1986	Erhardt		6,598,509 B2	7/2003	Cook et al.
4,640,172 A	2/1987	Kullmann et al.		6,601,495 B2	8/2003	Cranna
4,688,458 A	8/1987	Krilov		6,625,891 B2	9/2003	Stielper
4,727,788 A	3/1988	Yoshida et al.		D482,945 S	12/2003	Grolimund
4,784,033 A	11/1988	Hayden et al.		6,681,674 B2	1/2004	Hakansson et al.
4,784,034 A	11/1988	Stones et al.		6,782,781 B2	8/2004	Rack
4,802,396 A	2/1989	Kuklinski		6,834,573 B1	12/2004	Nakahara
4,813,324 A	3/1989	Yoshida et al.		6,931,975 B2	8/2005	Haughton et al.
4,827,822 A	5/1989	Yoshida et al.		6,945,850 B2	9/2005	Perrey
4,958,546 A	9/1990	Yoshida et al.		7,013,784 B2	3/2006	Lowder et al.
4,989,489 A	2/1991	Pinney		7,017,465 B2	3/2006	Dion et al.
5,018,421 A	5/1991	Lucki et al.		7,036,417 B2	5/2006	Alton
5,062,338 A	11/1991	Baker		D527,233 S *	8/2006	Burke, III D8/20
5,085,113 A	2/1992	Pinney		7,117,863 B1	10/2006	Dassoulas
5,094,135 A	3/1992	Nakahara et al.		7,121,180 B2	10/2006	Shimofurutani
5,095,623 A	3/1992	Williams		7,127,979 B2	10/2006	Kocher et al.
5,119,708 A	6/1992	Musgrove		7,131,365 B2	11/2006	Hall et al.
5,231,909 A	8/1993	Hsu		D534,401 S	1/2007	Duffin et al.
5,249,485 A	10/1993	Hayden, Sr.		7,174,823 B2	2/2007	Cranna
5,295,426 A	3/1994	Planchon		7,178,441 B2	2/2007	Hellbergh
5,331,876 A	7/1994	Hayden, Sr.		7,225,714 B2	6/2007	Rompel et al.
D352,218 S *	11/1994	Nygards	D8/70	7,225,715 B2	6/2007	Lowder et al.
5,361,665 A	11/1994	Sonefors		7,257,900 B2	8/2007	Wheeler et al.
5,410,935 A	5/1995	Holston et al.		D551,923 S	10/2007	Ammann
5,417,777 A	5/1995	Henderer		D554,452 S	11/2007	Ammann
5,423,845 A	6/1995	McDaniel		D555,444 S	11/2007	Ammann
5,425,296 A	6/1995	Kullmann et al.		7,334,511 B2	2/2008	Hesselberg et al.
5,477,763 A	12/1995	Kullman		D578,847 S	10/2008	Mashburn
5,501,129 A	3/1996	Armstrong et al.		D608,611 S	1/2010	Lowder
5,517,889 A	5/1996	Logan		7,661,347 B2	2/2010	Nagano et al.
5,555,788 A	9/1996	Gakhar et al.		7,806,033 B2	10/2010	Kocher et al.
5,581,848 A	12/1996	Egerer		D642,028 S	7/2011	Fosberg, Jr. et al.
5,603,252 A	2/1997	Hayden, Sr.		8,113,100 B1	2/2012	Cranna et al.
5,606,900 A	3/1997	Stoddard		D686,470 S *	7/2013	Ji D8/20
5,697,280 A	12/1997	Armstrong et al.		8,689,667 B2 *	4/2014	Butzen B23D 61/121 30/355
5,758,561 A	6/1998	Curtsinger et al.		8,776,659 B2 *	7/2014	Butzen B23D 61/121 30/355
5,803,677 A	9/1998	Brutscher et al.		D725,450 S *	3/2015	Hampton D8/20
5,803,678 A	9/1998	Korb et al.		9,079,259 B2 *	7/2015	Grolimund B23D 61/14
5,823,803 A	10/1998	Majors		9,757,807 B2 *	9/2017	Hampton B23D 61/121
				2001/0004860 A1	6/2001	Kullmann et al.
				2001/0006017 A1	7/2001	Osada et al.
				2002/0029679 A1	3/2002	Cranna
				2002/0078813 A1	6/2002	Hoffman

(56)

References Cited

U.S. PATENT DOCUMENTS

2002/0184981 A1 12/2002 Tsujimoto
 2002/0184988 A1 12/2002 Rohman et al.
 2003/0010179 A1 1/2003 McLuen
 2003/0051593 A1 3/2003 Kocher et al.
 2004/0016125 A1 1/2004 Asada et al.
 2004/0035282 A1 2/2004 Tsujimoto
 2004/0050234 A1 3/2004 Fluhrer et al.
 2004/0065183 A1 4/2004 Asada
 2004/0182218 A1 9/2004 Chao
 2004/0255740 A1 12/2004 Troyer
 2005/0211023 A1 9/2005 Kalo
 2005/0211046 A1 9/2005 Thomas et al.
 2005/0229407 A1 10/2005 Kanzawa
 2005/0262702 A1 12/2005 Hawthorn
 2006/0016315 A1 1/2006 Zorich et al.
 2006/0065098 A1 3/2006 Cranna
 2006/0130631 A1 6/2006 Hesselberg et al.
 2006/0160341 A1 7/2006 Burry et al.
 2006/0162826 A1 7/2006 Beguinot et al.
 2006/0207398 A1 9/2006 Nicolson et al.
 2007/0056427 A1 3/2007 Males
 2007/0199416 A1 8/2007 Cook et al.
 2007/0214922 A1 9/2007 Cook et al.
 2007/0221033 A1 9/2007 Taffertshofer
 2007/0251372 A1 11/2007 Petts et al.
 2008/0121079 A1 5/2008 Hashimoto et al.
 2008/0121084 A1 5/2008 Vogel et al.
 2008/0163735 A1 7/2008 Lundin et al.
 2008/0172890 A1 7/2008 Shetterly
 2008/0201964 A1 8/2008 Camargo et al.
 2008/0264231 A1 10/2008 Coe et al.
 2008/0307936 A1 12/2008 Elliston et al.
 2009/0013847 A1 1/2009 Lauzet
 2009/0049973 A1 2/2009 Huffer et al.
 2009/0126205 A1 5/2009 Kullman et al.
 2009/0126712 A1 5/2009 Kullmann et al.
 2009/0144992 A1 6/2009 Bucks

2009/0145280 A1 6/2009 Bucks et al.
 2009/0293698 A1 12/2009 Tran et al.
 2012/0090443 A1* 4/2012 Butzen B23D 61/121
 83/849
 2014/0283667 A1* 9/2014 Butzen B23D 61/121
 83/835
 2017/0120356 A1* 5/2017 George B23D 49/16
 2017/0326661 A1* 11/2017 Butzen B23D 61/121

FOREIGN PATENT DOCUMENTS

JP	11019822	1/1999
JP	2000135625	5/2000
JP	2000343325	12/2000
JP	2001009634	1/2001
JP	2001259927	9/2001
JP	2003048121	2/2003
JP	2003334721	11/2003
JP	2003340642	12/2003
JP	2003340643	12/2003
JP	2003340644	12/2003
JP	2005169546	6/2005
WO	WO0206020	1/2002
WO	WO2011140533	11/2011

OTHER PUBLICATIONS

Bosch, Progressor for All-Purpose, Available Dec. 23, 2009, Retrieved from the Internet <URL: <http://www.boschtools.com/Products/Accessories/Pages/BoschAccessoryDetail.aspx?pid=285#specs>>.
 Bosch, Progressor for Wood, Available Dec. 23, 2009, Retrieved from the Internet <URL: <http://www.boschtools.com/Products/Accessories/Pages/BoschAccessoryDetail.aspx?pid=287#specs>>.
 Bosch, Heavy for Wood with Nails, Available Dec. 23, 2009, Retrieved from the Internet <URL: <http://www.boschtools.com/Products/Accessories/Pages/BoschAccessoryDetail.aspx?pid=284#specs>>.

* cited by examiner

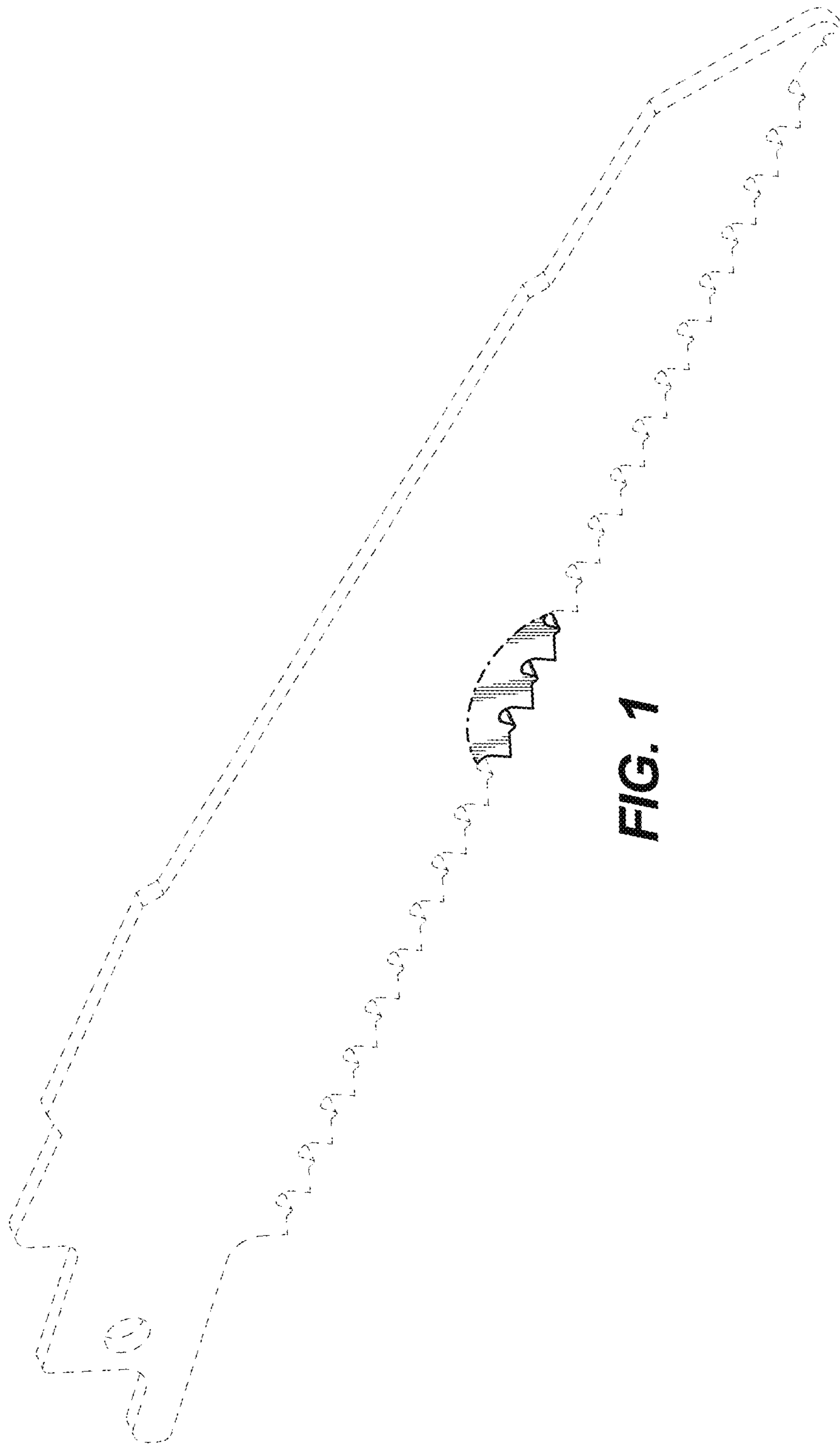


FIG. 1

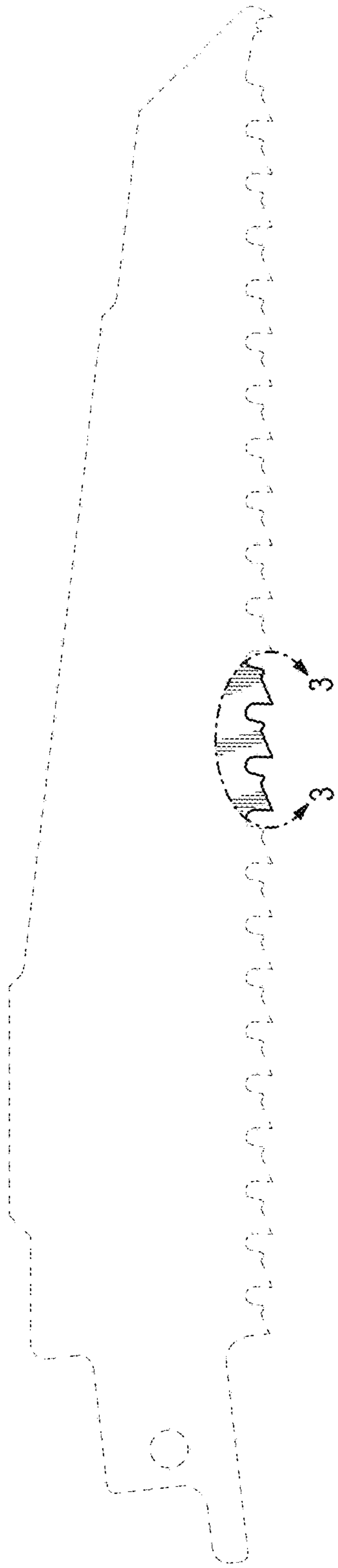


FIG. 2

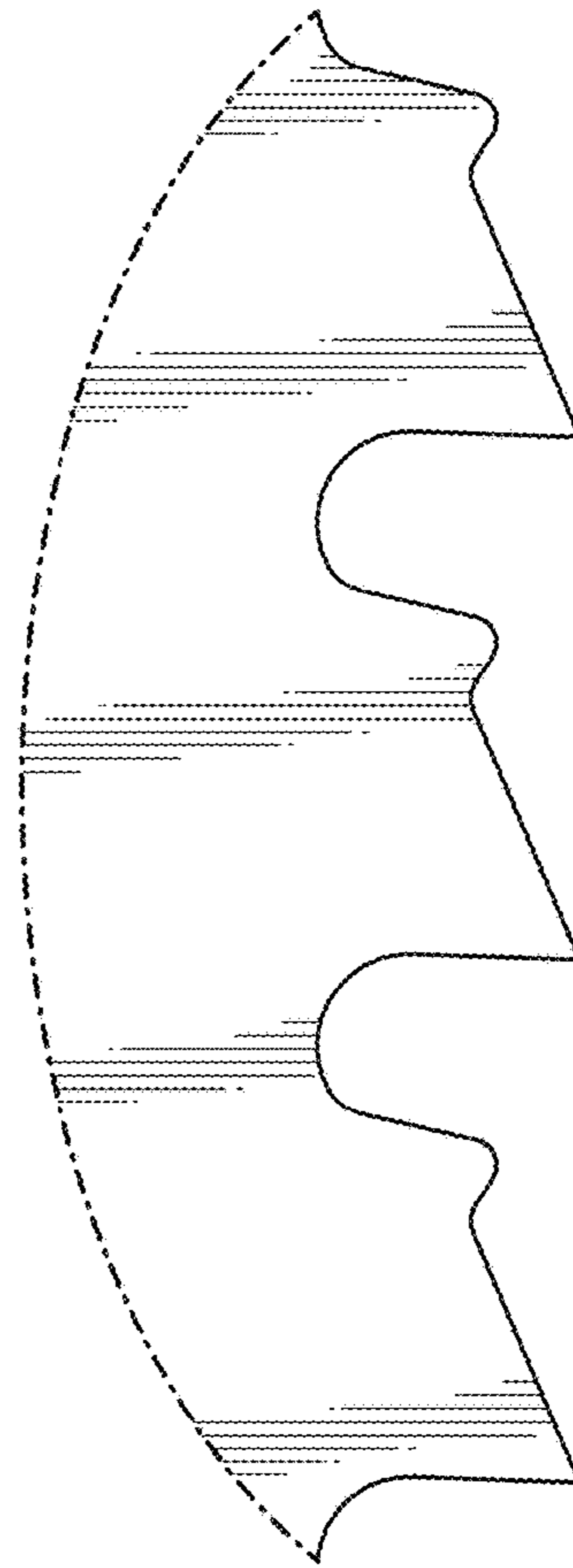


FIG. 3

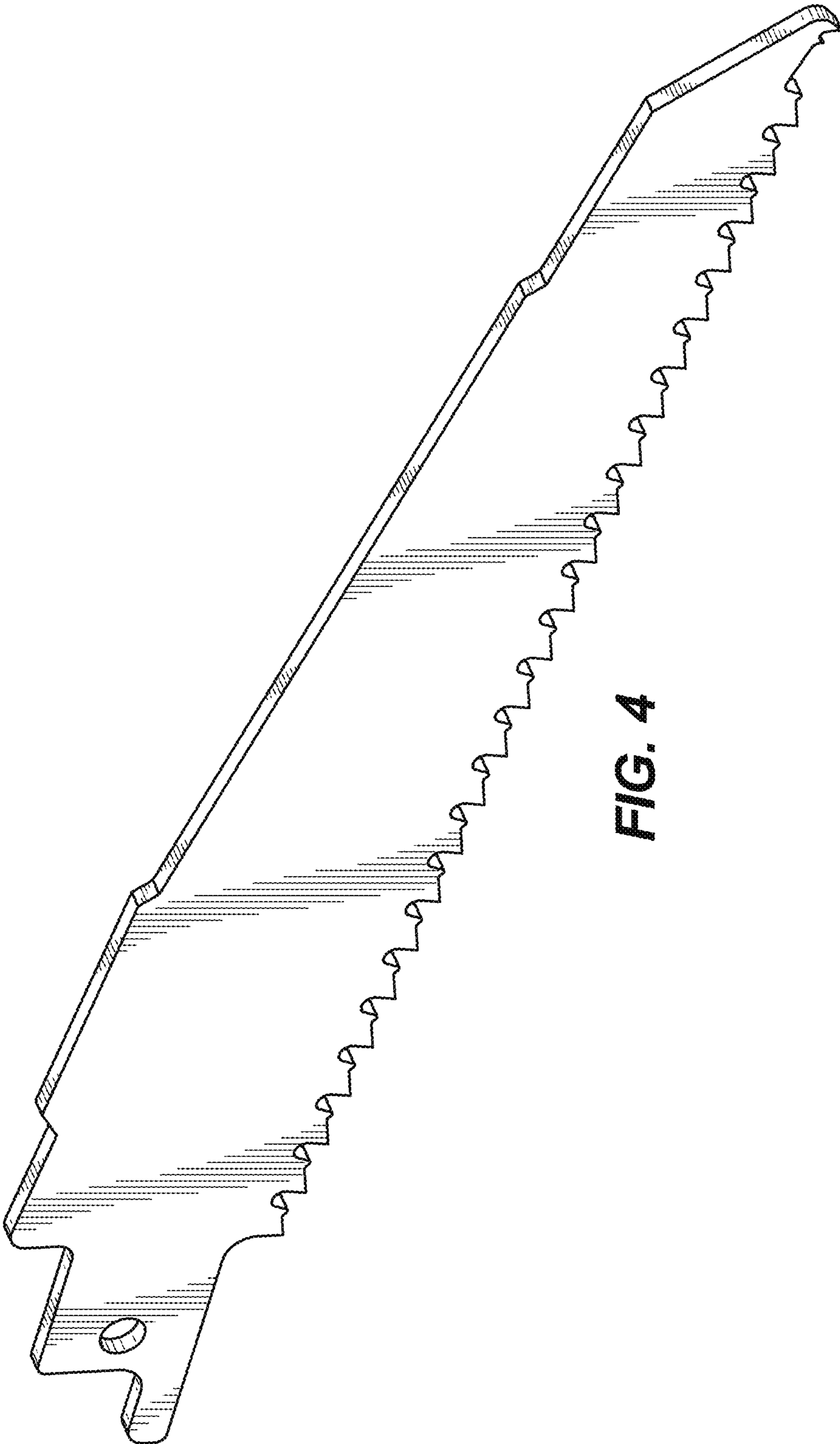


FIG. 4

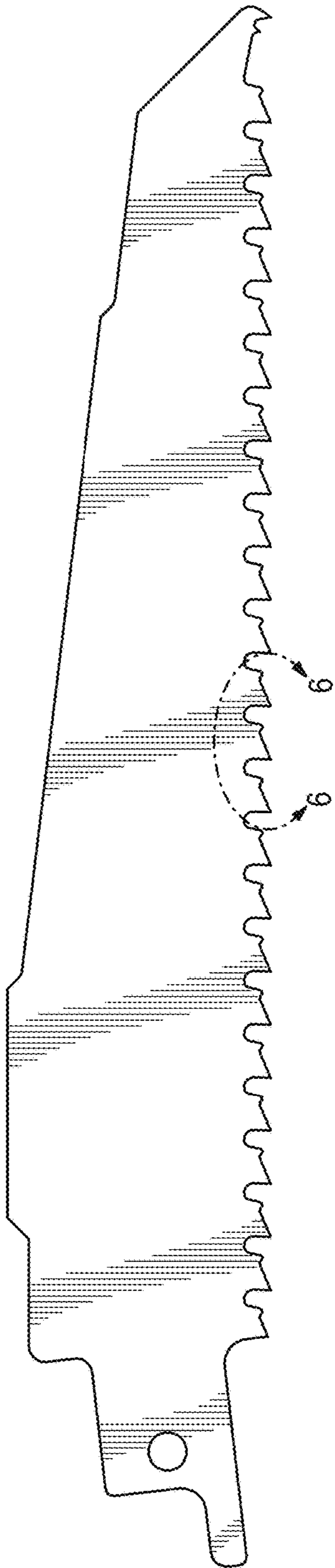


FIG. 5

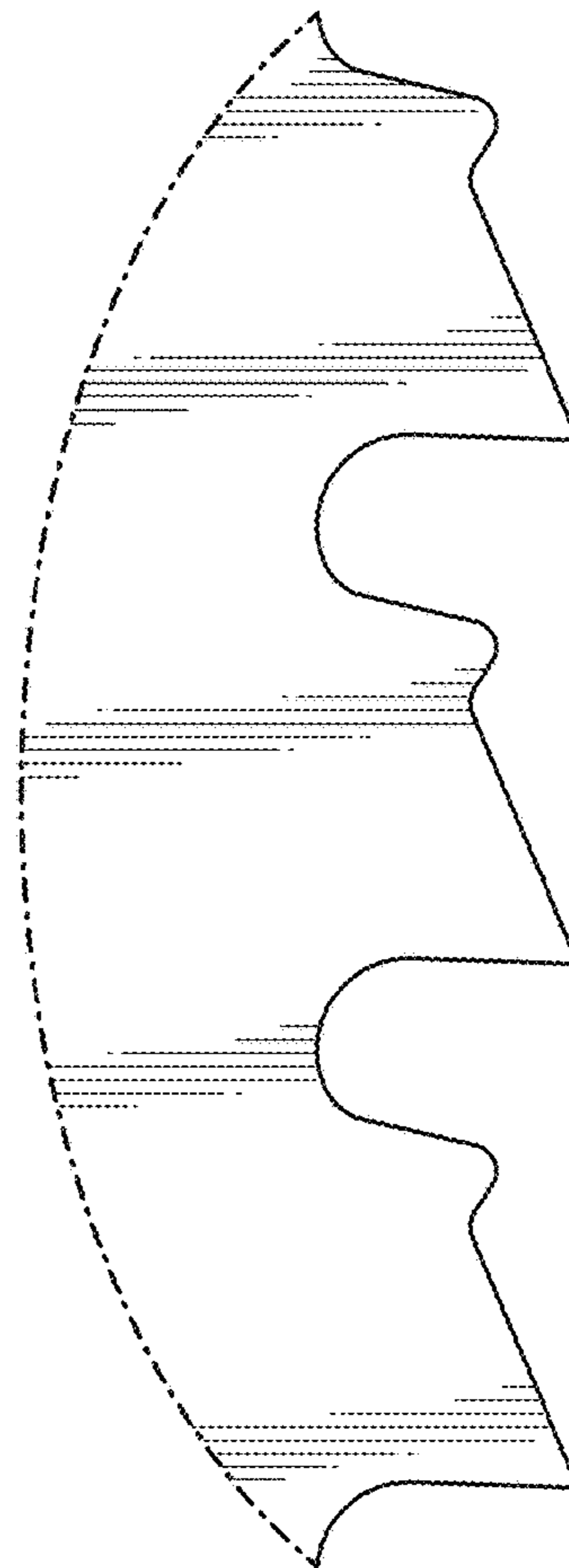


FIG. 6