



US00D841416S

(12) **United States Design Patent** (10) **Patent No.:** **US D841,416 S**
Davison et al. (45) **Date of Patent:** **** Feb. 26, 2019**

(54) **BUCKLE RELEASE**
(71) Applicant: **B&B Solutions, LLC**, Houston, TX (US)
(72) Inventors: **Rebecca Davison**, Houston, TX (US); **Barbara Heilman**, Houston, TX (US)
(73) Assignee: **B&B Solutions, LLC**, Houston, TX (US)
(**) Term: **15 Years**
(21) Appl. No.: **29/615,477**
(22) Filed: **Aug. 29, 2017**
(51) **LOC (11) Cl.** **08-05**
(52) **U.S. Cl.**
USPC **D8/14**
(58) **Field of Classification Search**
USPC D8/14, 98, 394, 395; D24/220
CPC ... B25B 27/0035; B60R 22/105; B60R 22/00;
B60N 2/2812
See application file for complete search history.

D492,351 S * 6/2004 Sato D19/34
D509,423 S * 9/2005 Mariano D8/395
7,073,264 B2 * 7/2006 Votolato B26B 27/00
30/2
D645,865 S * 9/2011 Diehl D14/299
D687,686 S * 8/2013 Robinson D8/14
8,539,862 B1 * 9/2013 Robinson B60R 22/00
24/578.13
8,869,407 B2 * 10/2014 Votolato B67B 7/30
30/280
D747,169 S * 1/2016 Koresh D8/98

* cited by examiner
Primary Examiner — Philip S Hyder
(74) *Attorney, Agent, or Firm* — Bell Nunnally & Martin LLP

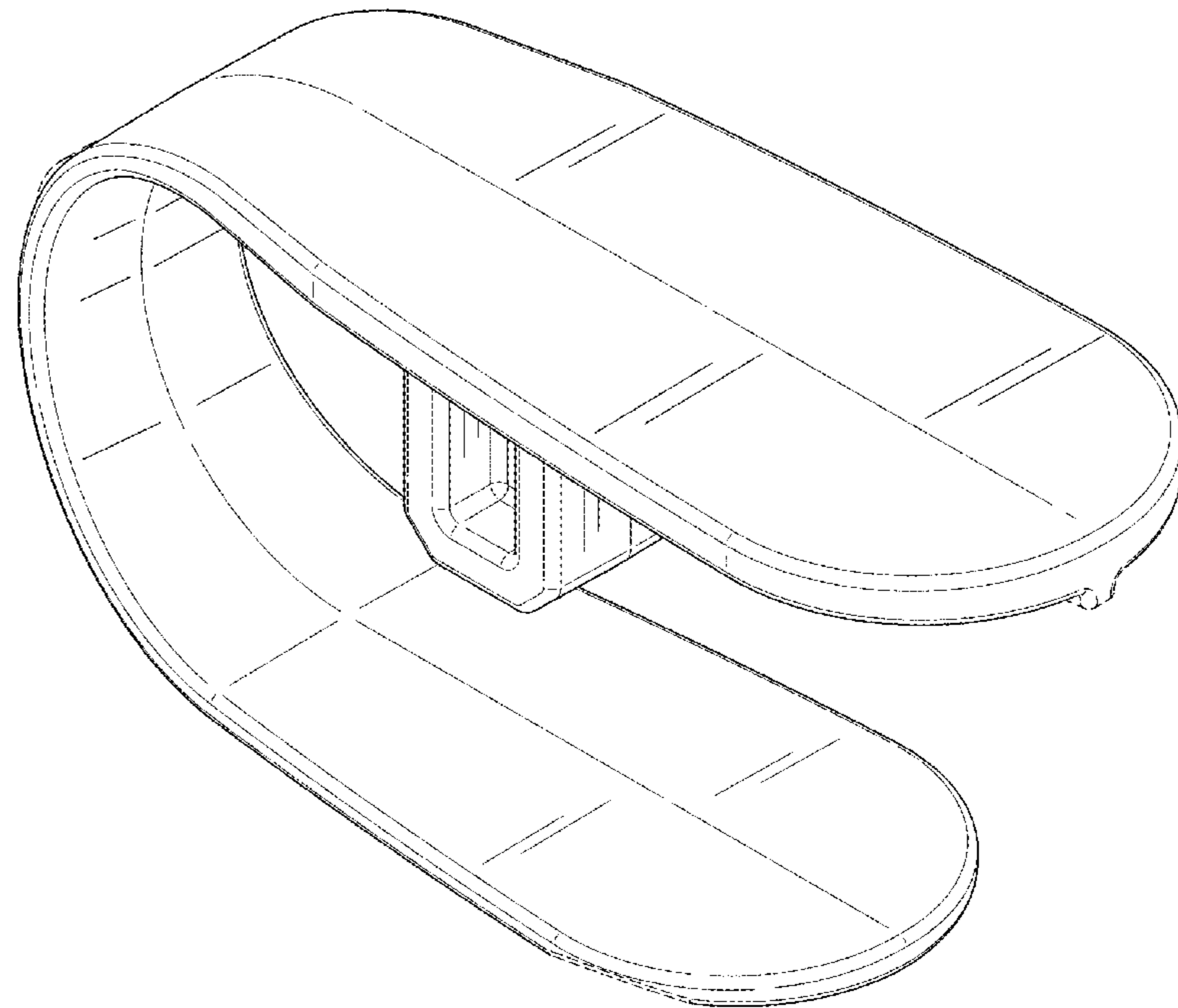
(57) **CLAIM**
The ornamental design for a buckle release, as shown and described.

DESCRIPTION

FIG. 1 is a perspective view of a buckle release in accordance with our design;
FIG. 2 is a right side view thereof;
FIG. 3 is a left side view thereof;
FIG. 4 is a top plan view thereof;
FIG. 5 is a bottom plan view thereof;
FIG. 6 is a back view thereof; and,
FIG. 7 is a front view thereof.
The broken lines shown in the drawings illustrate portions of the buckle release in which the design is embodied that form no part of claimed design.

1 Claim, 7 Drawing Sheets

(56) **References Cited**
U.S. PATENT DOCUMENTS
5,007,171 A * 4/1991 Horning, Jr. B65B 69/0033
30/2
D394,745 S * 6/1998 Egelja D2/946
5,992,887 A * 11/1999 Maruchi B42D 9/005
24/67.9
6,457,218 B1 * 10/2002 Lawrence B42F 1/10
24/3.12
6,658,742 B2 * 12/2003 Votolato B26B 27/00
30/278



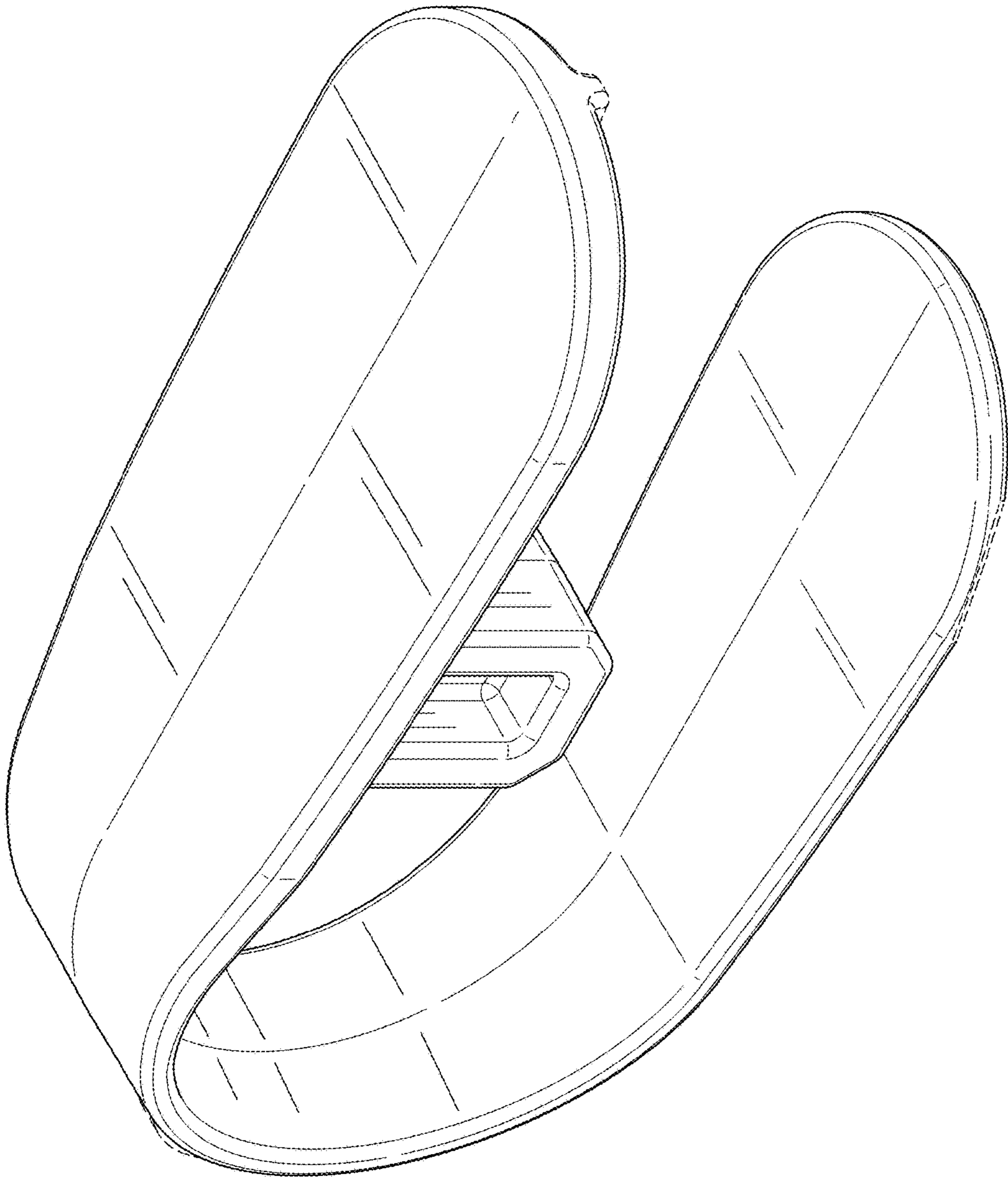


FIG. 1

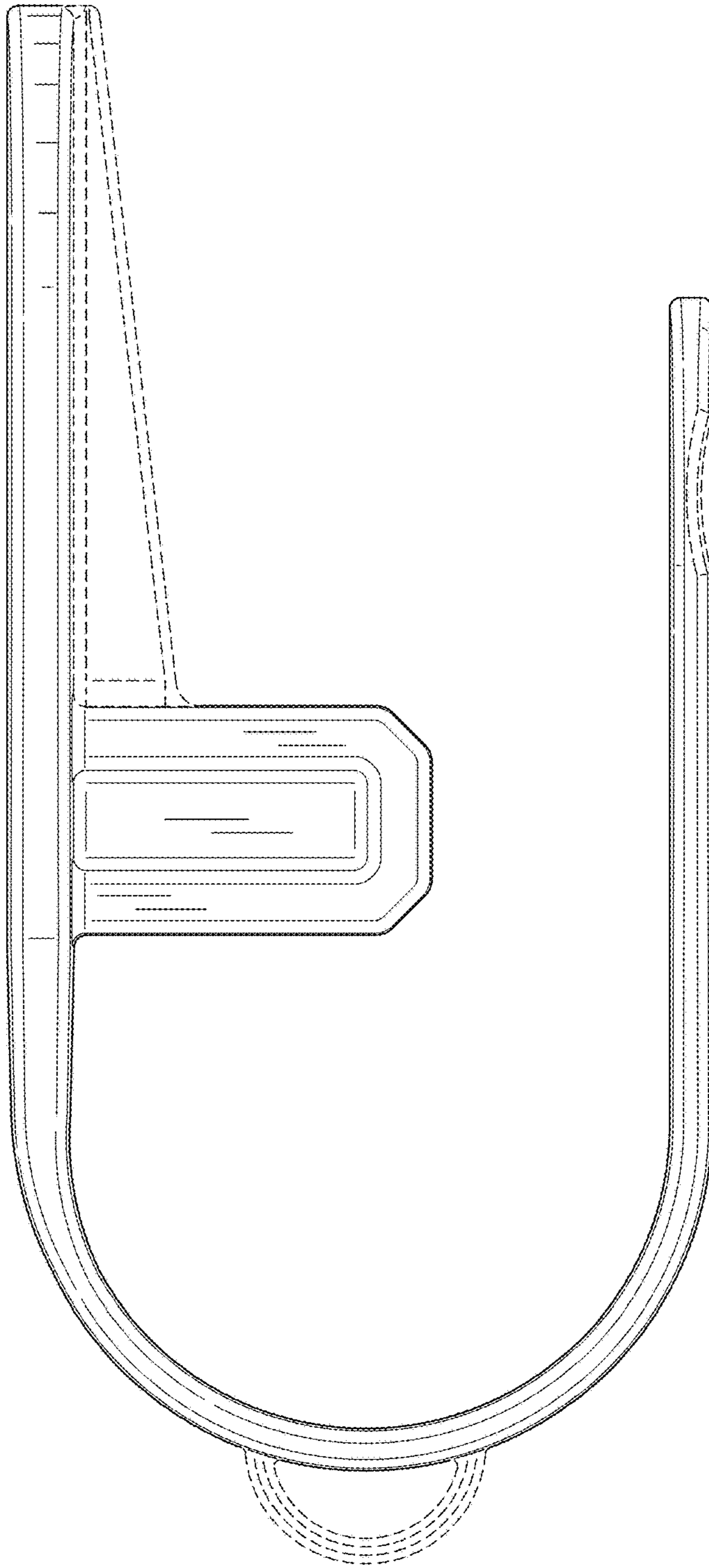


FIG. 2

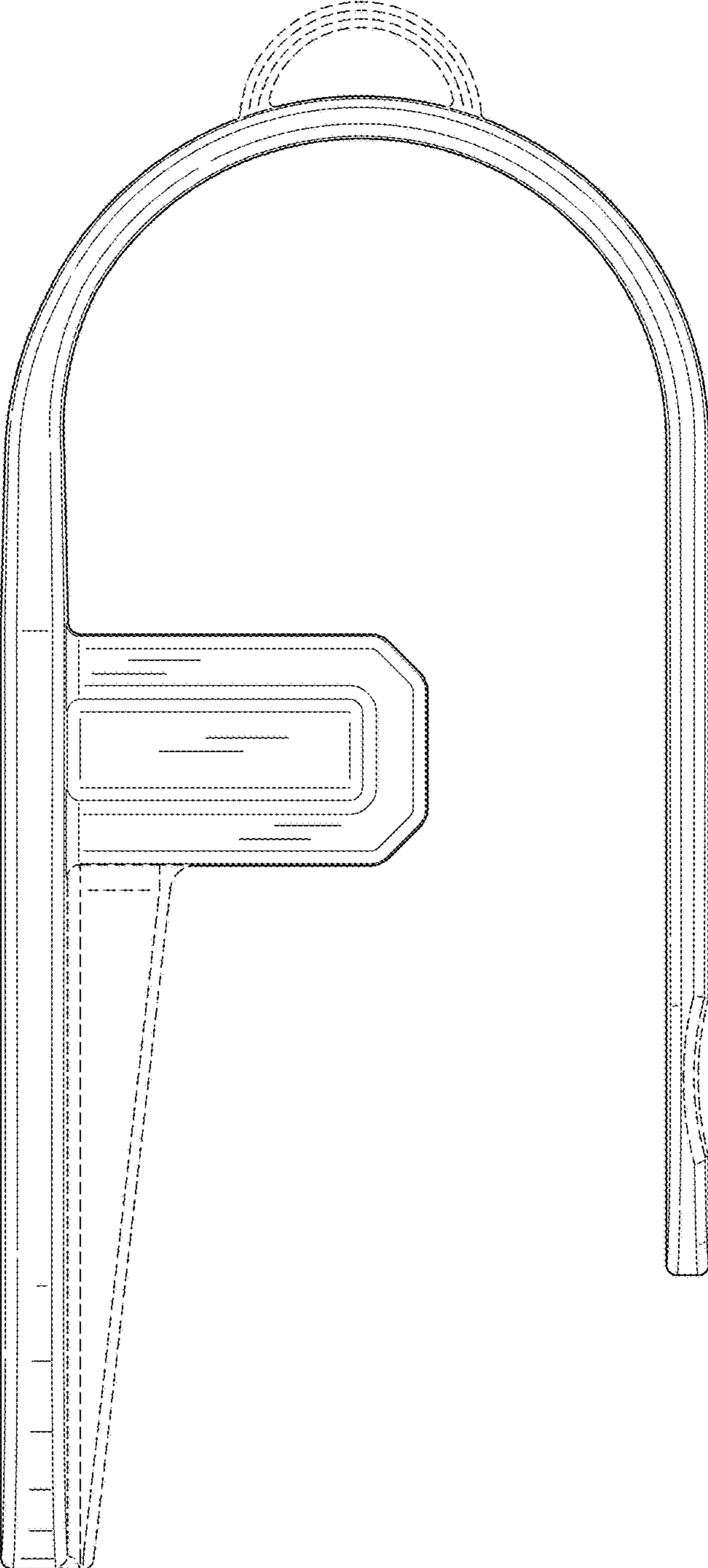


FIG. 3

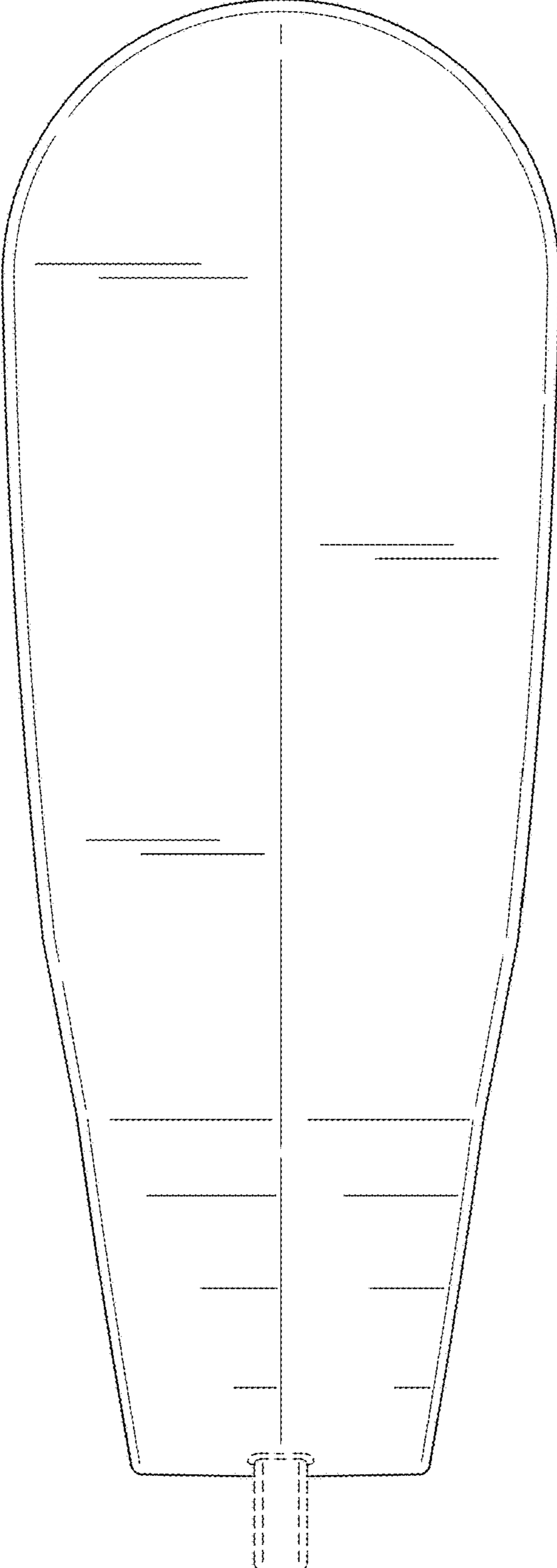


FIG. 4

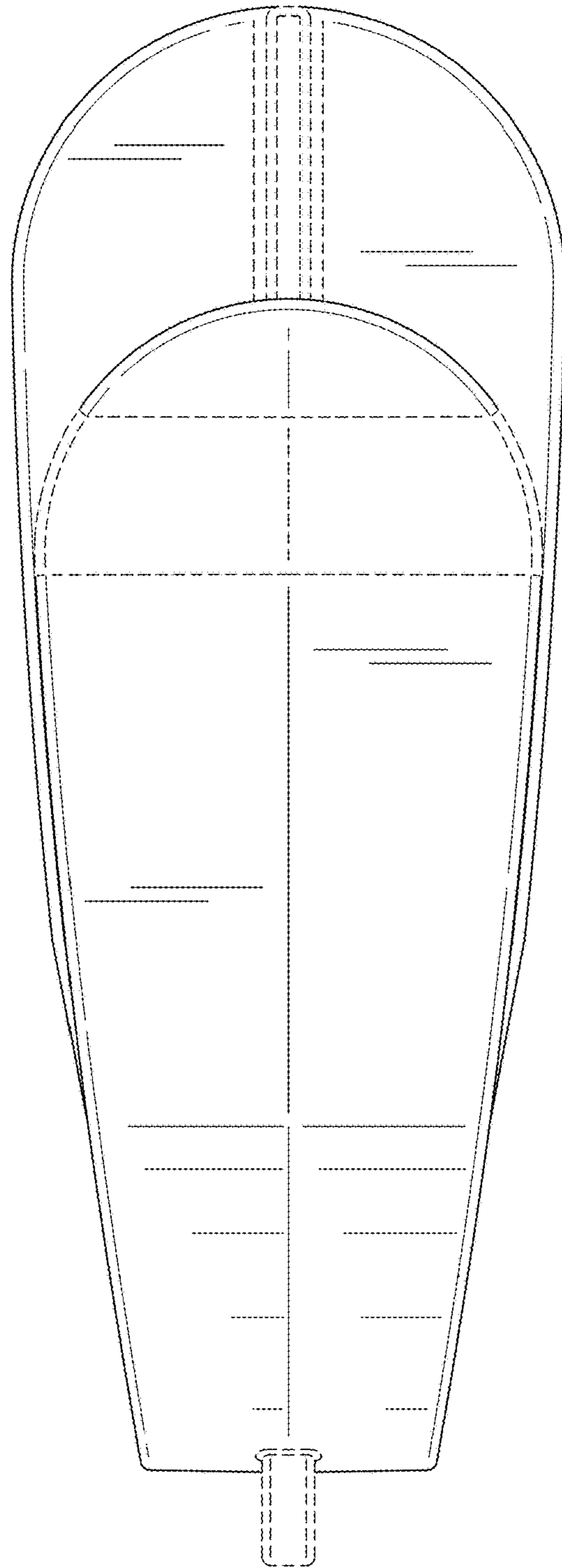


FIG. 5

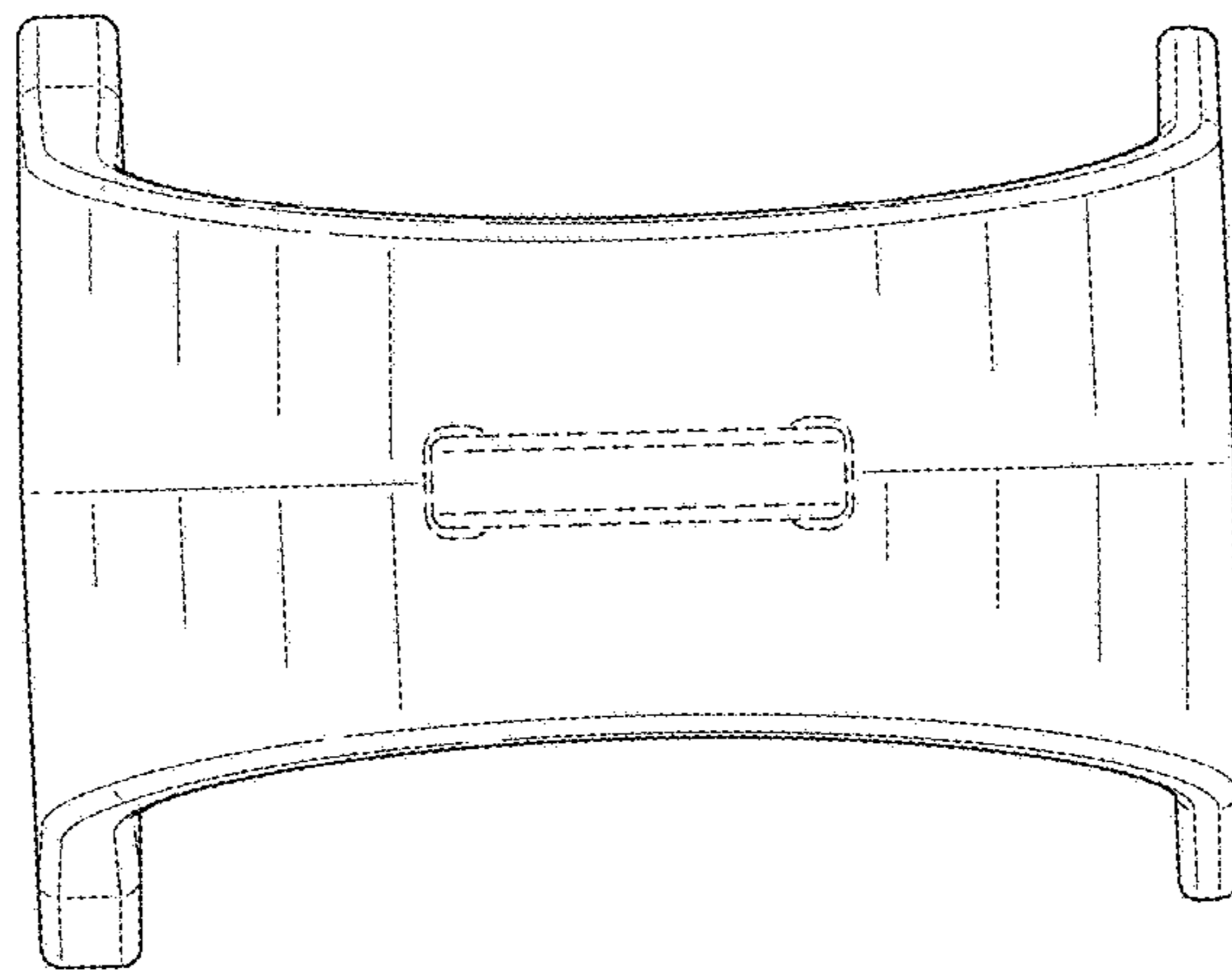


FIG. 6

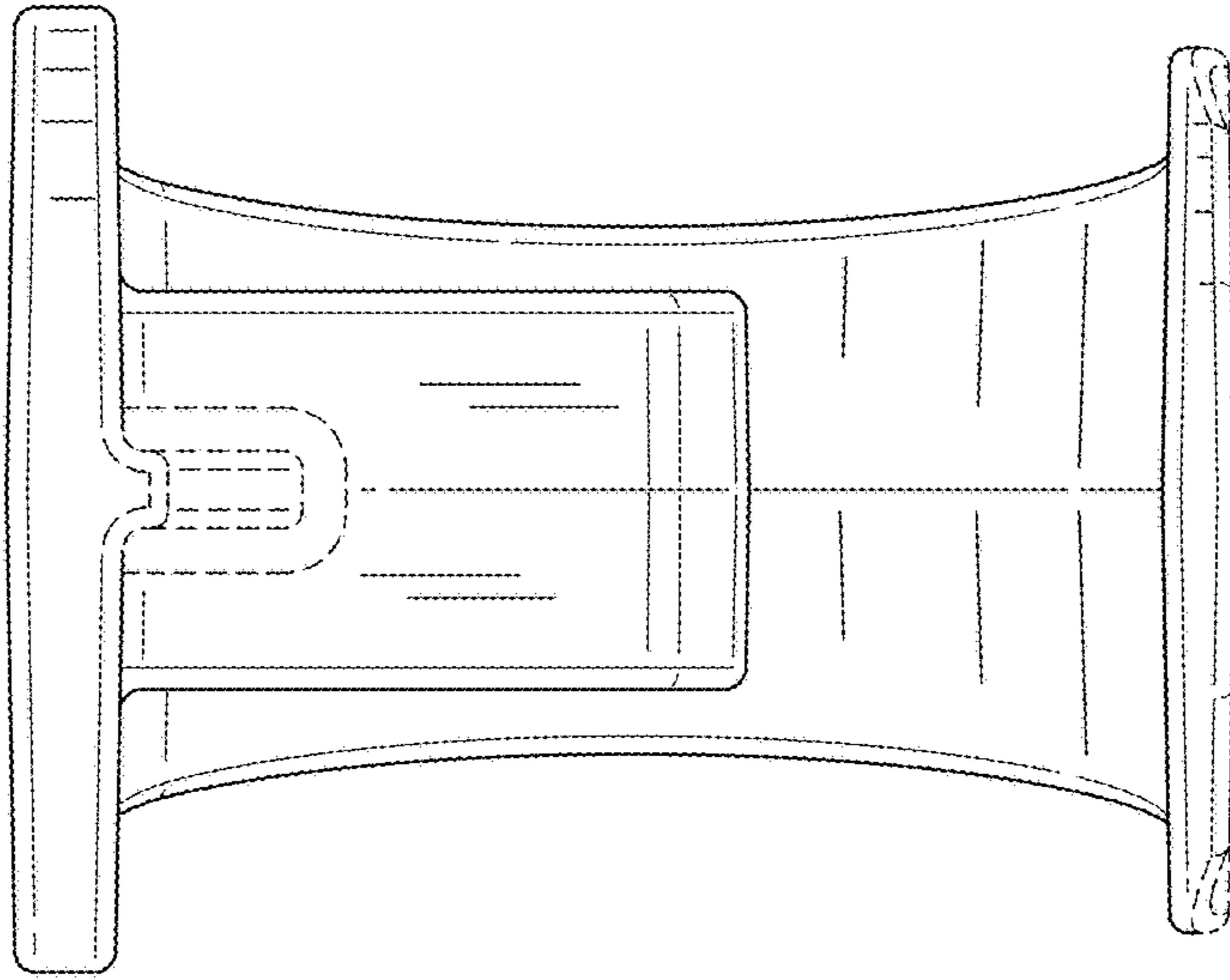


FIG. 7