



US00D841412S

(12) **United States Design Patent**
Bedford

(10) **Patent No.:** **US D841,412 S**

(45) **Date of Patent:** **** Feb. 26, 2019**

(54) **OIL DISPENSER**

(71) Applicant: **Malic Bedford**, San Diego, CA (US)

(72) Inventor: **Malic Bedford**, San Diego, CA (US)

(**) Term: **15 Years**

(21) Appl. No.: **29/616,472**

(22) Filed: **Sep. 6, 2017**

Related U.S. Application Data

(63) Continuation-in-part of application No. 15/242,822,
filed on Aug. 22, 2016.

(51) **LOC (11) Cl.** **07-06**

(52) **U.S. Cl.**
USPC **D7/669**

(58) **Field of Classification Search**
USPC D7/669; D24/114; D8/14; D23/213,
D23/223

CPC B05D 17/00576; B05D 17/00593; B05D
17/0133; B05D 17/0052

See application file for complete search history.

(56) **References Cited**

U.S. PATENT DOCUMENTS

5,603,701 A *	2/1997	Fischer	A61C 5/62 222/390
6,569,122 B2 *	5/2003	Fischer	B05C 17/00593 604/181
D611,310 S *	3/2010	Eide	D7/669
D657,867 S *	4/2012	Effenberger	D24/114
2002/0113088 A1 *	8/2002	Pierson	B65D 83/0011 222/137

* cited by examiner

Primary Examiner — Terry A Wallace

(74) *Attorney, Agent, or Firm* — Steven W. Webb

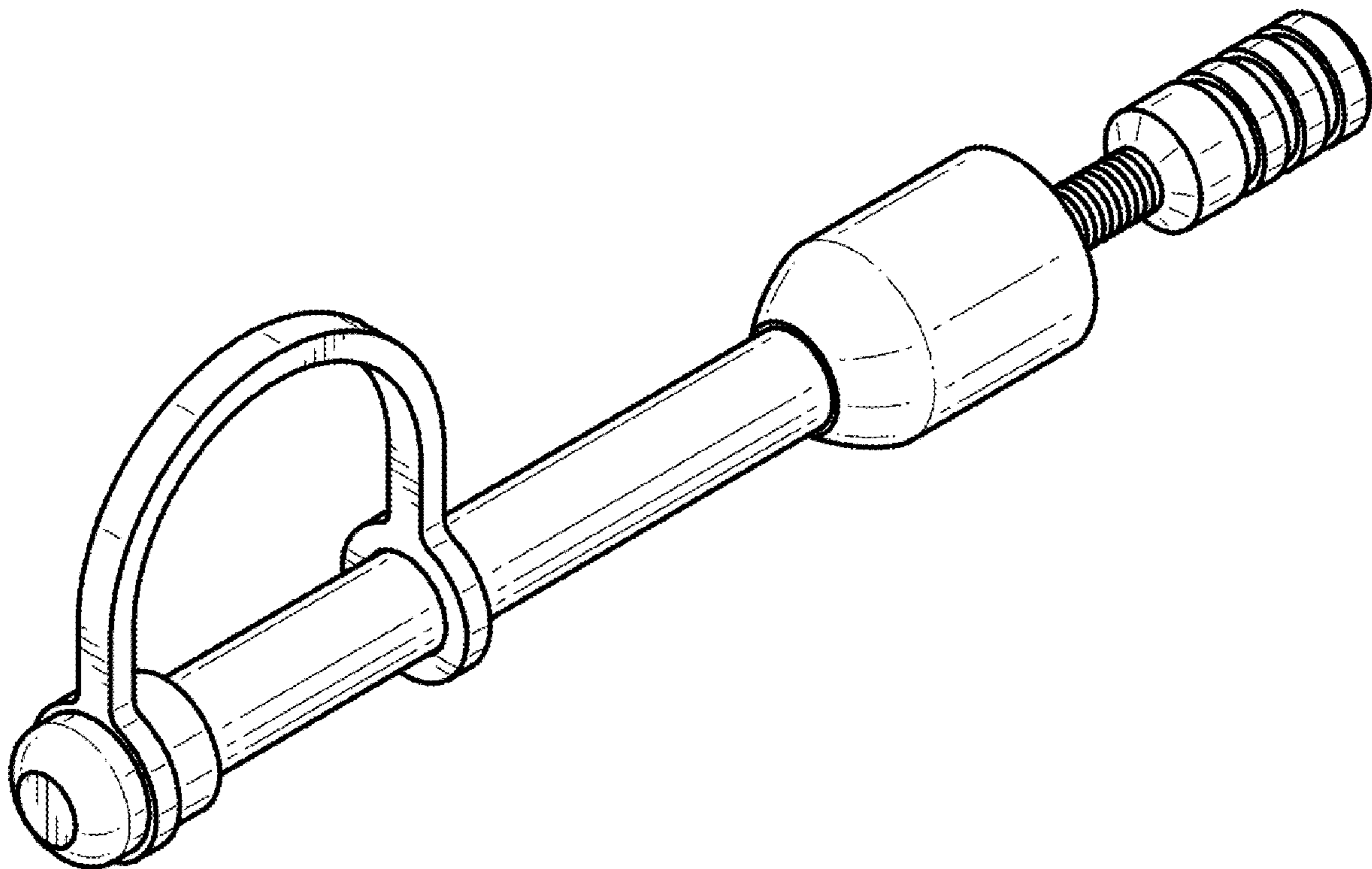
(57) **CLAIM**

I claim the ornamental design for an oil dispenser, as shown and described.

DESCRIPTION

FIG. 1 is a perspective view of the oil dispenser.
FIG. 2 is a side view of the oil dispenser.
FIG. 3 is a top view of the oil dispenser.
FIG. 4 is bottom view of the oil dispenser.
FIG. 5 is a back view of the oil dispenser; and,
FIG. 6 is a front view of the oil dispenser.

1 Claim, 2 Drawing Sheets



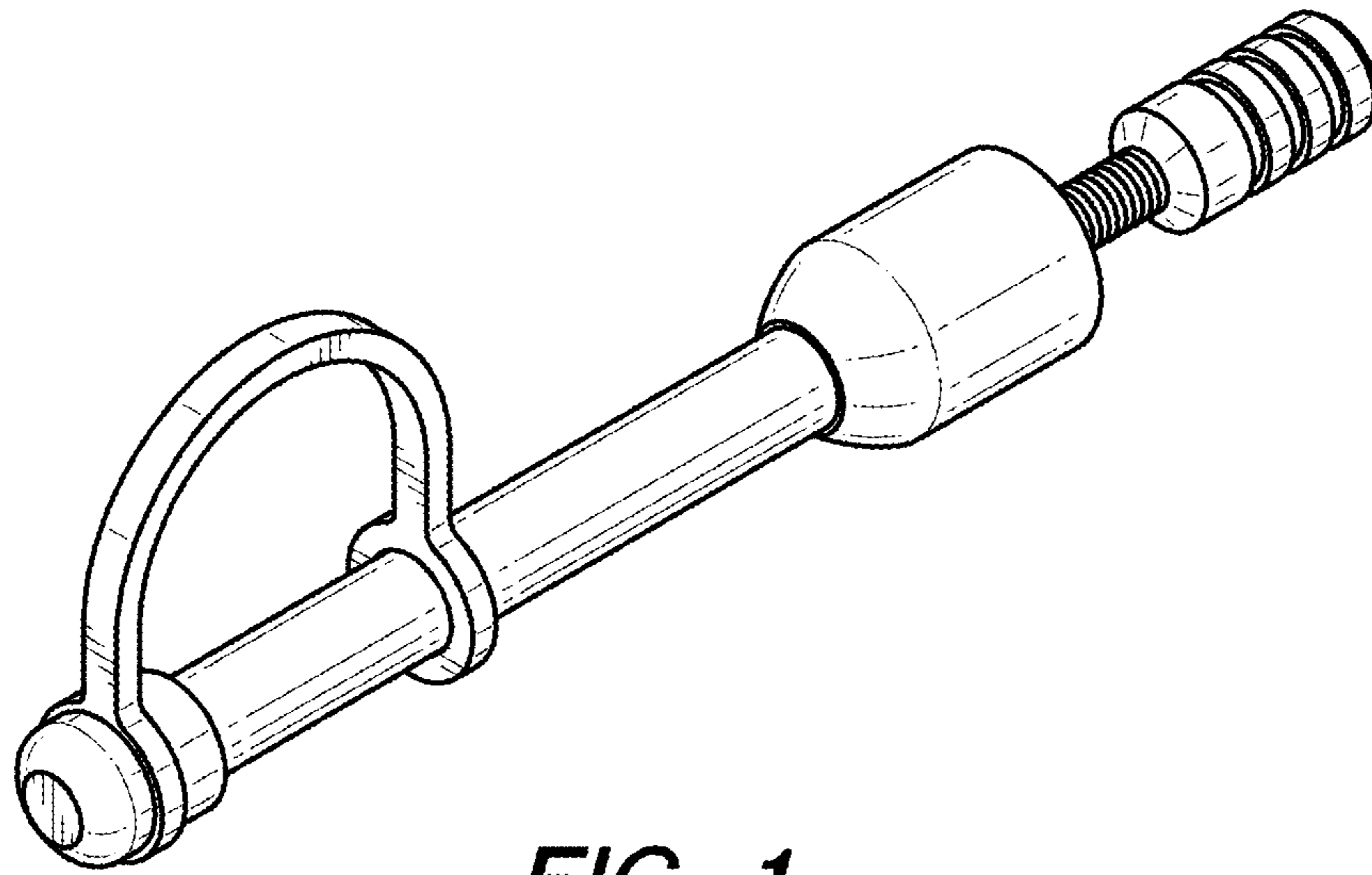


FIG. 1

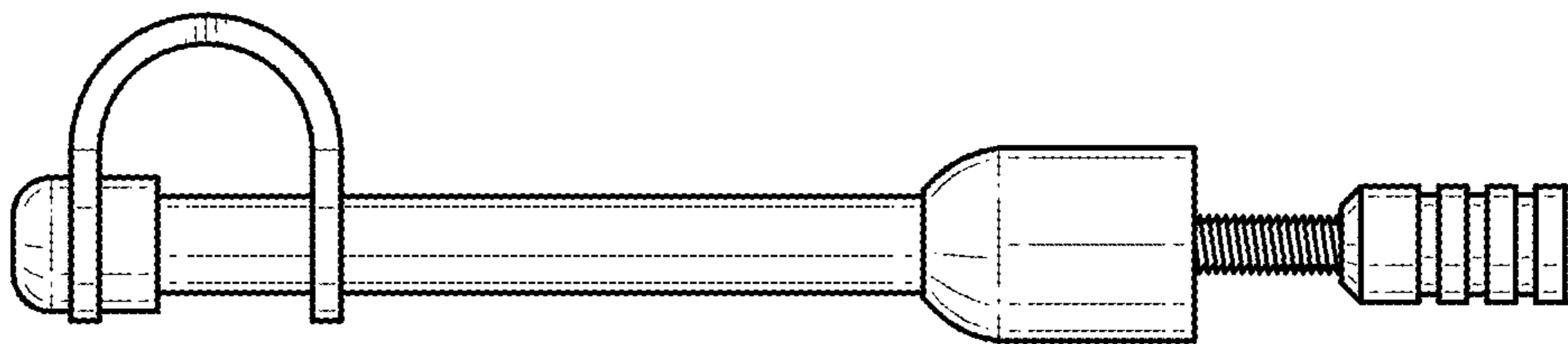


FIG. 2

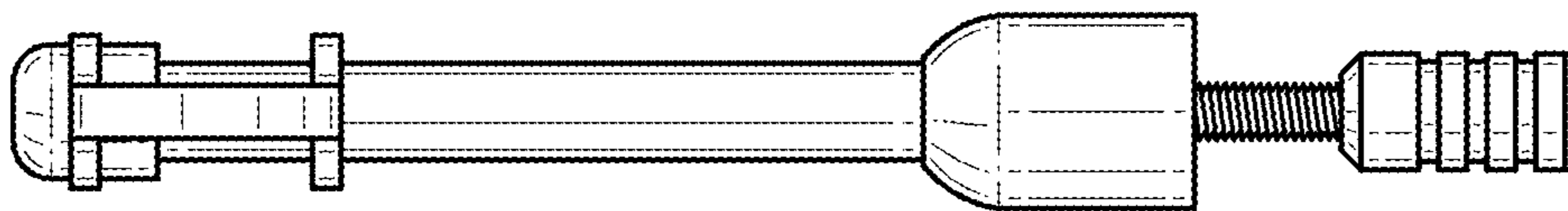


FIG. 3

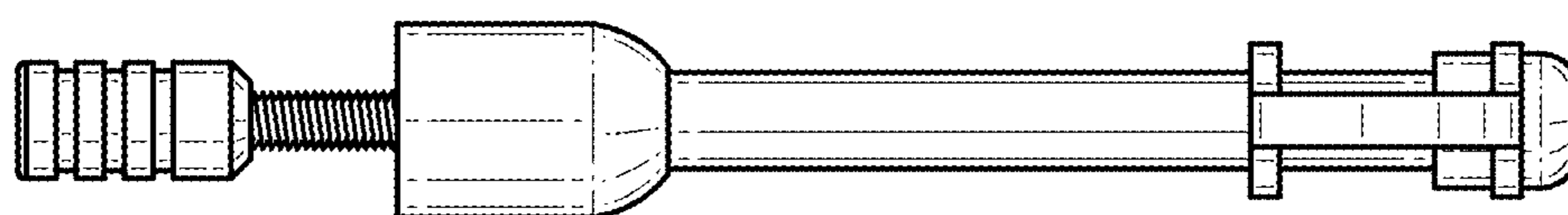


FIG. 4

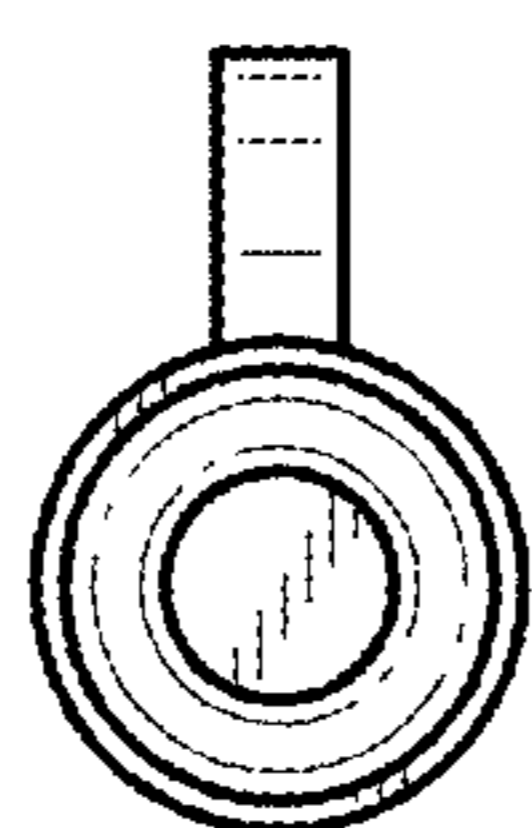


FIG. 5

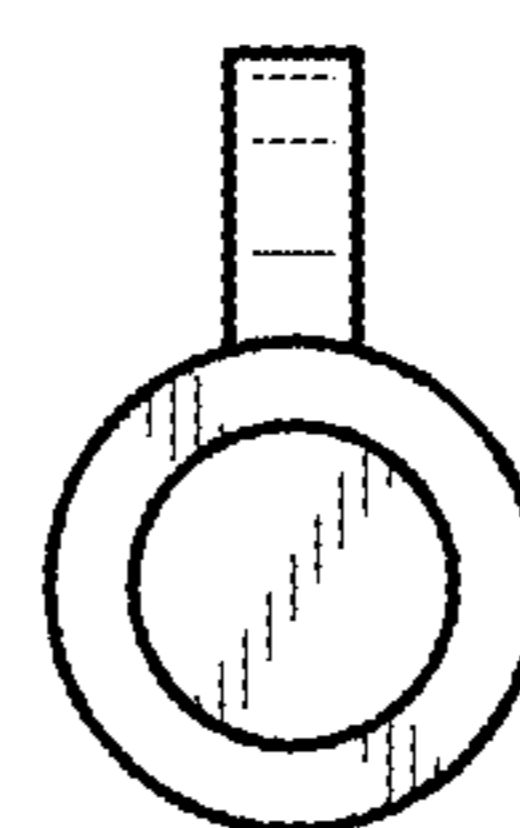


FIG. 6