



US00D841410S

(12) **United States Design Patent** (10) **Patent No.:** **US D841,410 S**
Wettlaufer et al. (45) **Date of Patent:** **** Feb. 26, 2019**

(54) **JUICING BAG**
(71) Applicants: **Dale Wettlaufer**, Sarasota, FL (US);
Eric Wettlaufer, West Falls, NY (US)
(72) Inventors: **Dale Wettlaufer**, Sarasota, FL (US);
Eric Wettlaufer, West Falls, NY (US)

5,732,621 A 3/1998 Hartmann et al.
D402,169 S * 12/1998 Hestehave D7/700
9,085,410 B2 7/2015 Beer
9,493,298 B2 11/2016 Evans et al.
2005/0051478 A1 3/2005 Karanikos et al.
2005/0140264 A1* 6/2005 Makio H01J 29/861
313/477 R

(Continued)

(73) Assignee: **Goodnature Products, Inc.**, Orchard
Park, NY (US)

FOREIGN PATENT DOCUMENTS

(**) Term: **15 Years**

CN 205758273 12/2016
DE 19641893 4/1997

(Continued)

(21) Appl. No.: **29/630,548**

OTHER PUBLICATIONS

(22) Filed: **Dec. 21, 2017**

(51) **LOC (11) Cl.** **31-00**

(52) **U.S. Cl.**
USPC **D7/665; D7/700**

(58) **Field of Classification Search**
USPC D7/665, 368, 700
CPC .. A23N 1/00; A23N 1/02; B30B 9/045; B30B
9/06; B30B 9/262; A47J 19/06; A47J
19/027; A47J 19/02; A47J 19/025; B67B
7/28; B67C 11/02; B01D 29/353; B01D
29/012; B01D 29/085

Alibaba. "Silicone microwave bag, Kitchen Silicone Orange Cook-
ing Bag". https://www.alibaba.com/product-detail/silicone-microwave-bag-Kitchen-Silicone-Orange_1654827124.html. Accessed Sep. 22,
2017.

(Continued)

See application file for complete search history.

Primary Examiner — Terry A Wallace

(74) *Attorney, Agent, or Firm* — Woods Oviatt Gilman
LLP; Katherine H. McGuire, Esq.

(56) **References Cited**

(57) **CLAIM**

The ornamental design for the juicing bag, as shown and
described.

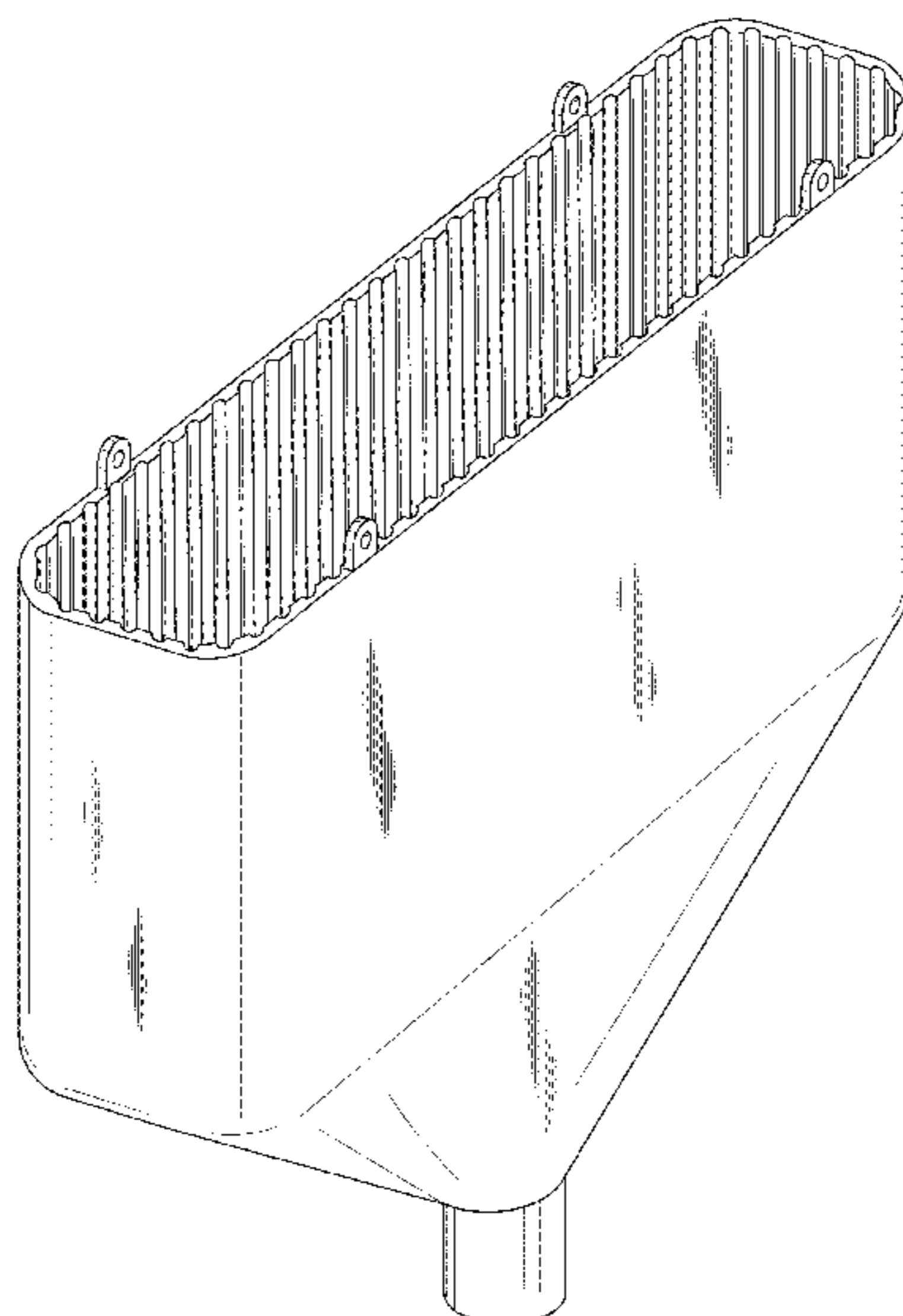
U.S. PATENT DOCUMENTS

DESCRIPTION

2,087,435 A * 7/1937 Hubbert A23N 1/02
100/116
2,649,966 A * 8/1953 Johnston B01D 29/085
116/228
4,048,951 A * 9/1977 Tamura H01J 9/263
118/321
5,031,524 A * 7/1991 Wettlaufer A23N 1/00
100/123
5,267,509 A 12/1993 Wettlaufer
D363,221 S * 10/1995 Puryear D7/700
5,551,606 A * 9/1996 Rai B67B 7/28
141/329

FIG. 1 is a front perspective view of a juicing bag of our new
design;
FIG. 2 is a top view thereof;
FIG. 3 is a bottom view thereof;
FIG. 4 is a side view thereof, the opposite side being a mirror
image; and,
FIG. 5 is an end view thereof, the opposite end being a
mirror image.

1 Claim, 4 Drawing Sheets



(56)

References Cited

U.S. PATENT DOCUMENTS

2013/0045308 A1 2/2013 Gorbatenko
2014/0272018 A1 9/2014 Koller et al.
2014/0314918 A1 10/2014 Wettlaufer et al.
2015/0359256 A1 12/2015 Wettlaufer et al.
2016/0067635 A1 3/2016 Geyer
2016/0199760 A1 7/2016 Wettlaufer

FOREIGN PATENT DOCUMENTS

KR 101251972 4/2013
TW M256135 2/2005
WO 2014182423 11/2014
WO 2015162632 10/2015

OTHER PUBLICATIONS

Kickstarter. "Juisir". <https://www.kickstarter.com/projects/1793272089/juisir-juicing-without-the-cleaning>. Accessed Sep. 21, 2017.
Teabagfilter "Tearoad Soilon". http://teabagfilter.com/products/mesh_filter/soilon_html. Accessed Sep. 21, 2017.

* cited by examiner

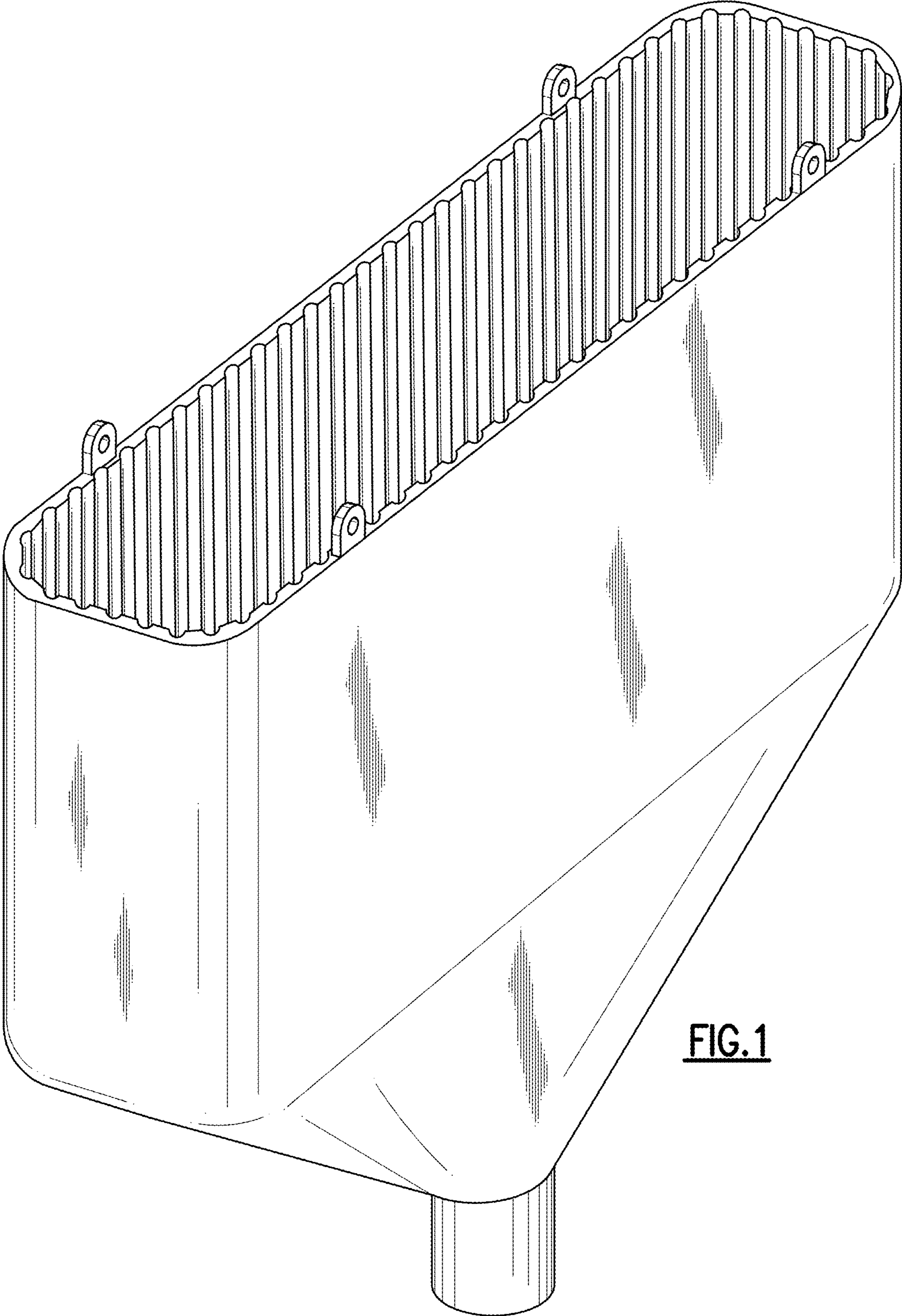


FIG.1

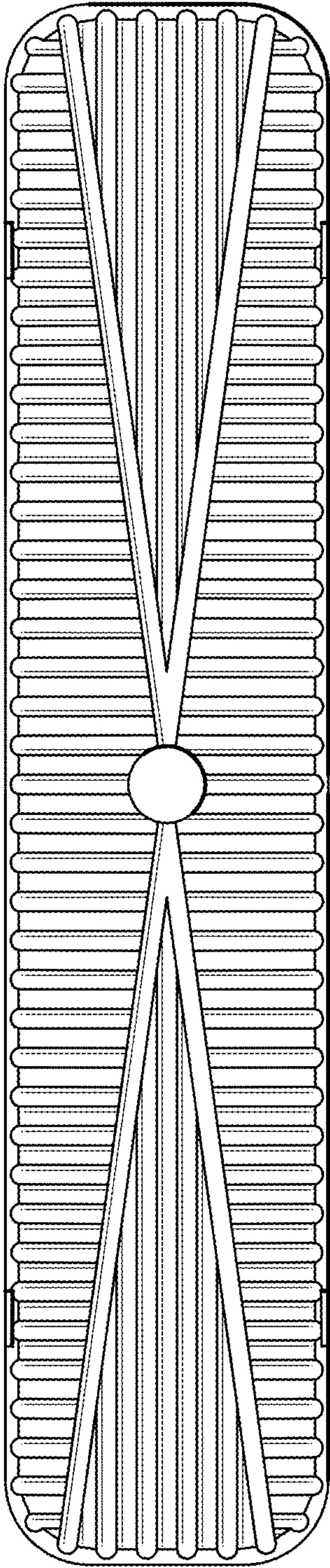


FIG. 2

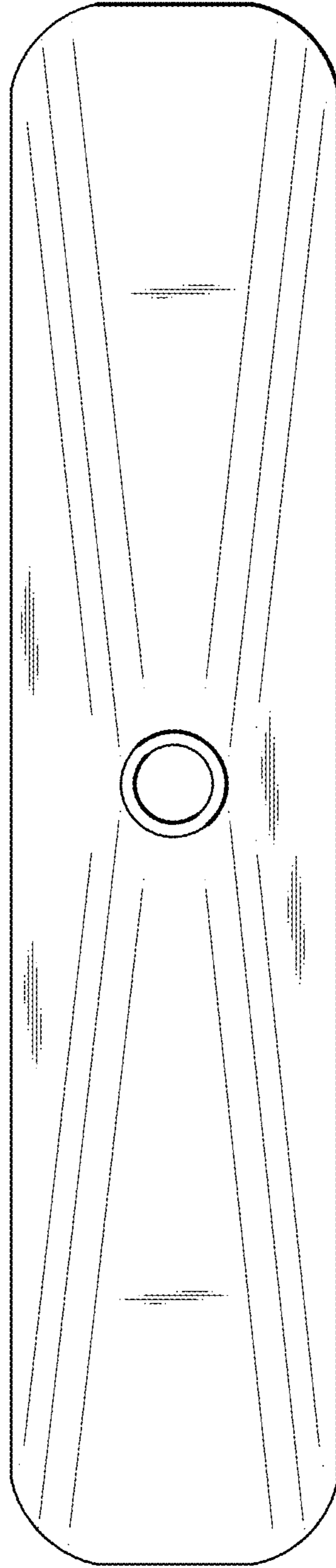


FIG. 3

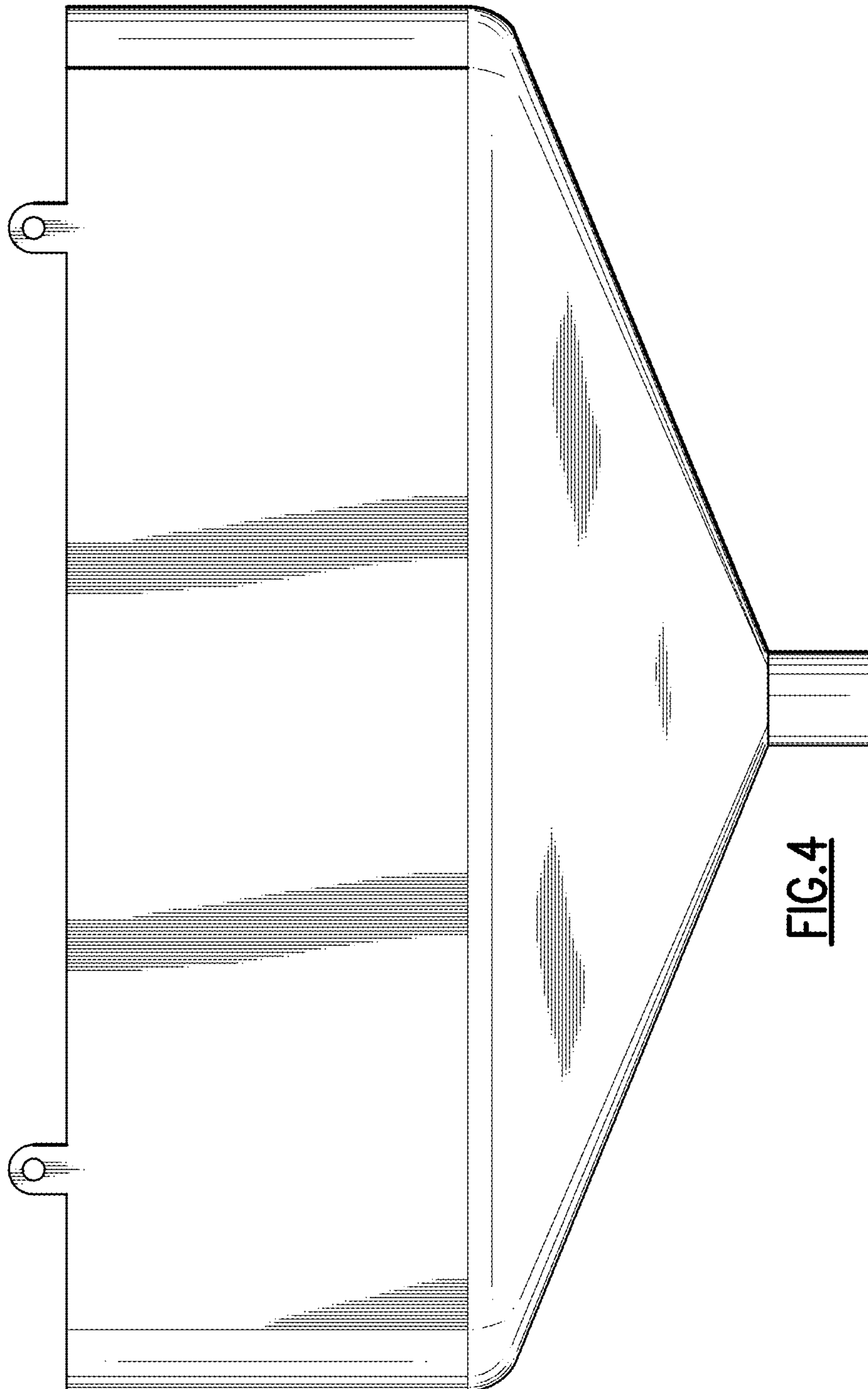


FIG. 4

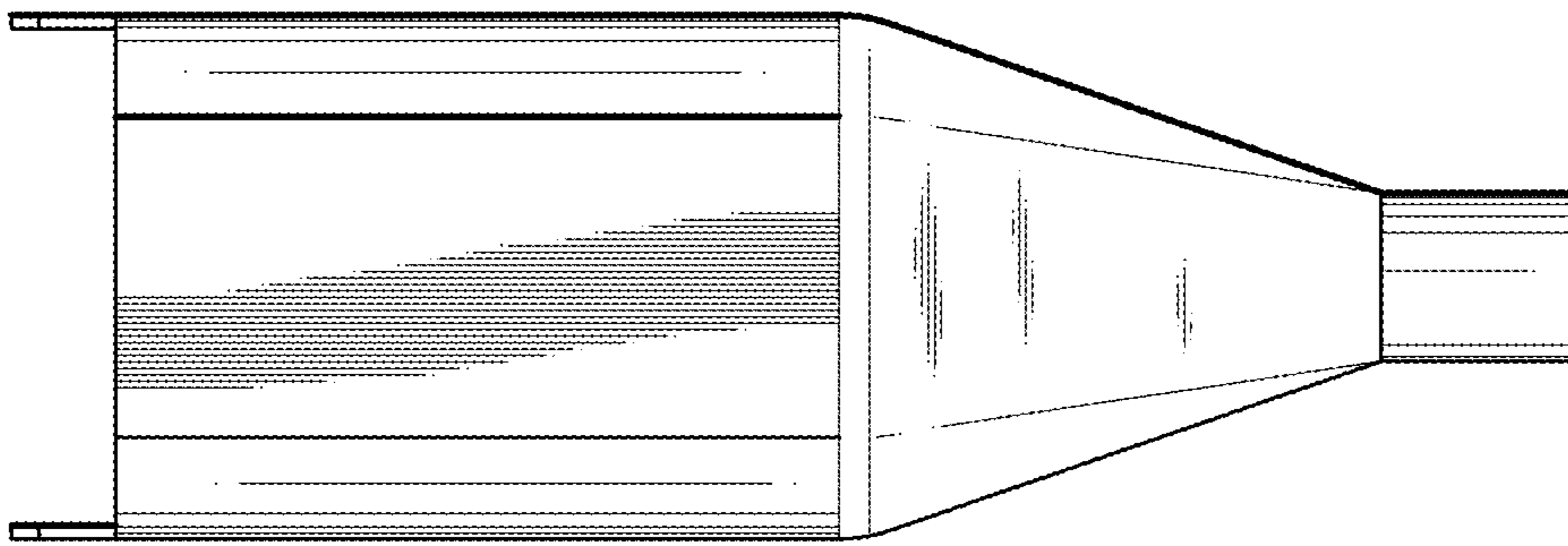


FIG. 5