



US00D841409S

(12) **United States Design Patent** (10) **Patent No.:** **US D841,409 S**  
**Wettlaufer et al.** (45) **Date of Patent:** **\*\* Feb. 26, 2019**

(54) **JUICING MACHINE**

(71) Applicants: **Dale Wettlaufer**, Sarasota, FL (US);  
**Eric Wettlaufer**, Buffalo, NY (US);  
**Thomas J. Heyden**, Glenwood, NY  
(US); **Christopher George Flechtner**,  
Seattle, WA (US)

(72) Inventors: **Dale Wettlaufer**, Sarasota, FL (US);  
**Eric Wettlaufer**, Buffalo, NY (US);  
**Thomas J. Heyden**, Glenwood, NY  
(US); **Christopher George Flechtner**,  
Seattle, WA (US)

(73) Assignee: **Goodnature Products, Inc.**, Orchard  
Park, NY (US)

(\*\*) Term: **15 Years**

(21) Appl. No.: **29/627,979**

(22) Filed: **Nov. 30, 2017**

(51) **LOC (11) Cl.** ..... **31-00**

(52) **U.S. Cl.**  
USPC ..... **D7/665**

(58) **Field of Classification Search**  
USPC ..... D7/368, 665, 669, 323  
CPC .. A23N 1/00; A23N 1/02; B30B 9/045; B30B  
9/06; B30B 9/262; A47J 19/06; A47J  
19/27; A47J 19/02; A47J 19/025  
See application file for complete search history.

(56) **References Cited**

U.S. PATENT DOCUMENTS

D725,439 S \* 3/2015 Kim ..... D7/665  
D774,848 S \* 12/2016 Flotats Molinas ..... D7/665

\* cited by examiner

*Primary Examiner* — Terry A Wallace  
(74) *Attorney, Agent, or Firm* — Woods Oviatt Gilman  
LLP; Katherine H. McGuire, Esq.

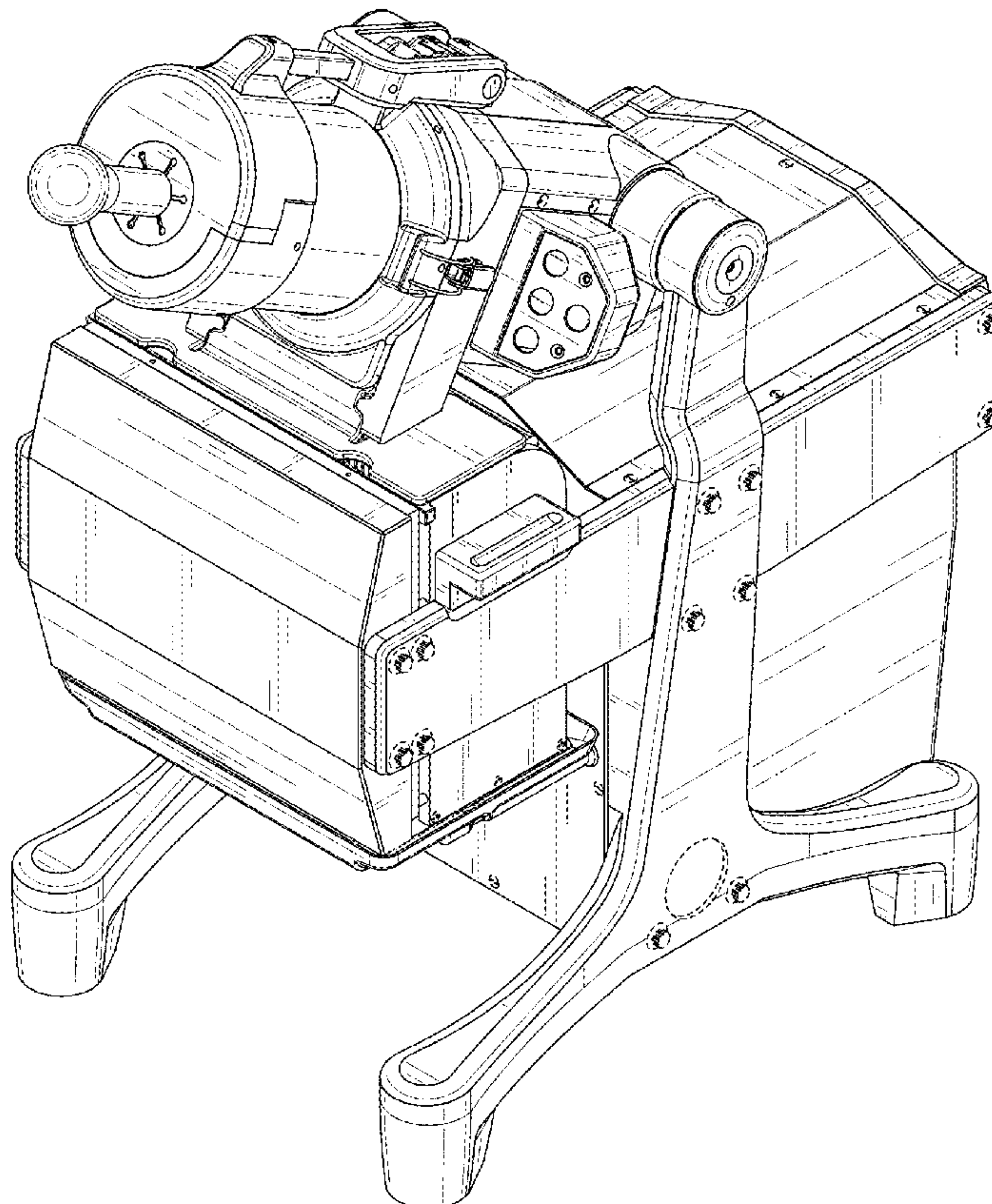
(57) **CLAIM**

The ornamental design for the juicing machine, as shown  
and described.

**DESCRIPTION**

FIG. 1 is a front perspective view of a juicing machine of our  
new design shown in environment;  
FIG. 2 is a left side view thereof;  
FIG. 3 is a right side view thereof;  
FIG. 4 is a back view thereof;  
FIG. 5 is a front view thereof;  
FIG. 6 is a top view thereof; and,  
FIG. 7 is a bottom view thereof.  
The portions of the drawings shown in broken lines form no  
part of the claimed design.

**1 Claim, 7 Drawing Sheets**



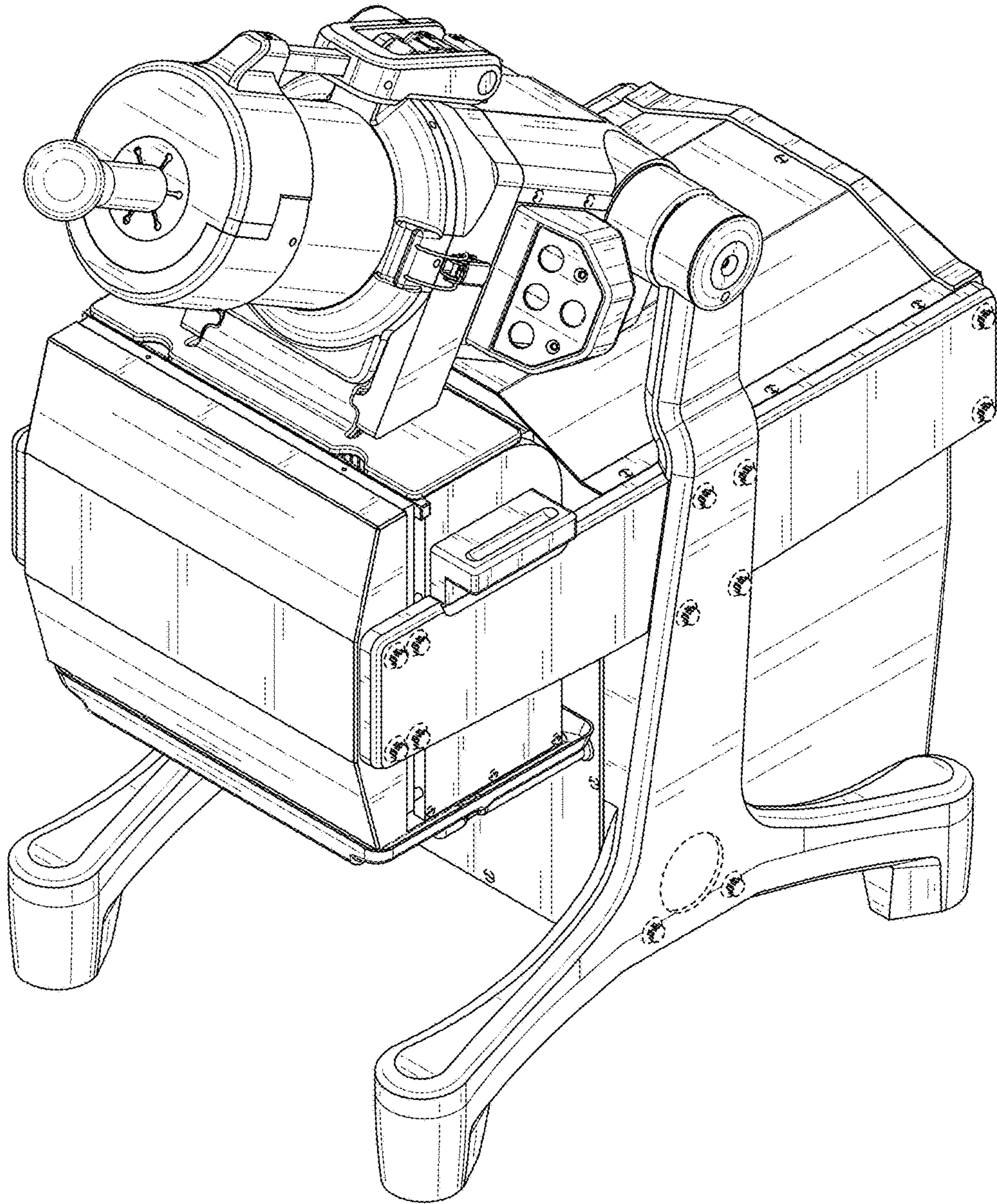


FIG. 1



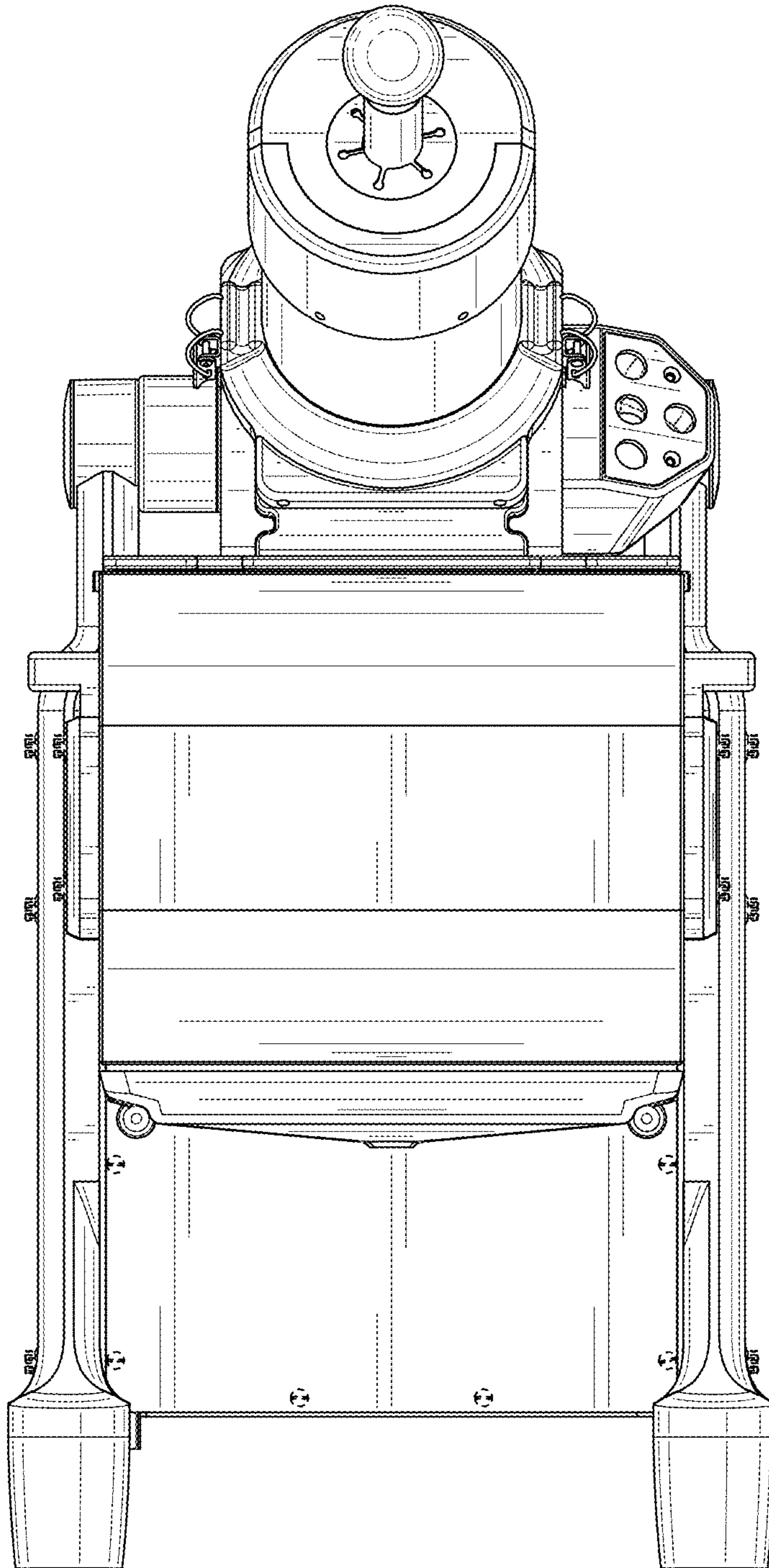


FIG. 2

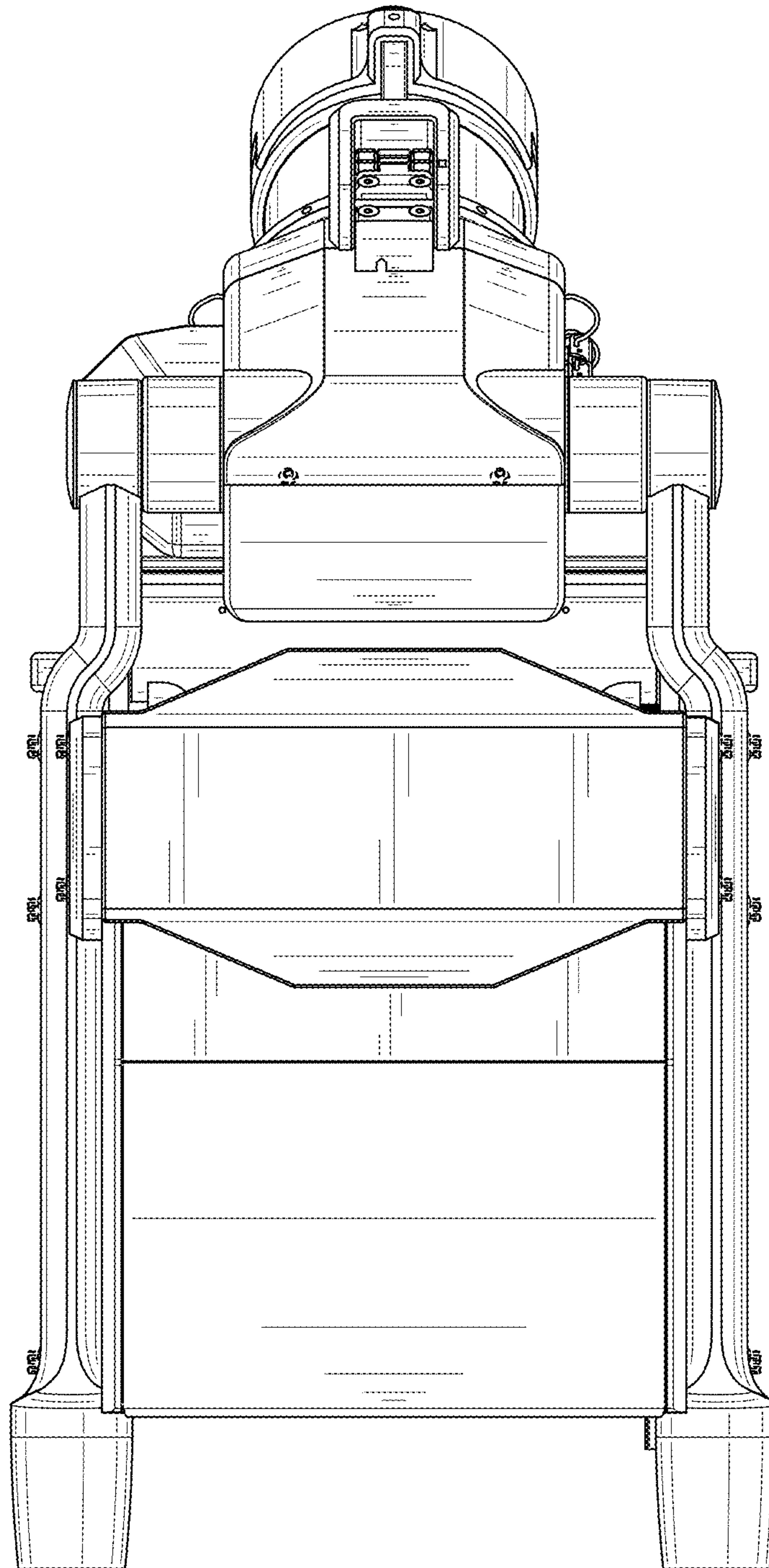


FIG. 3

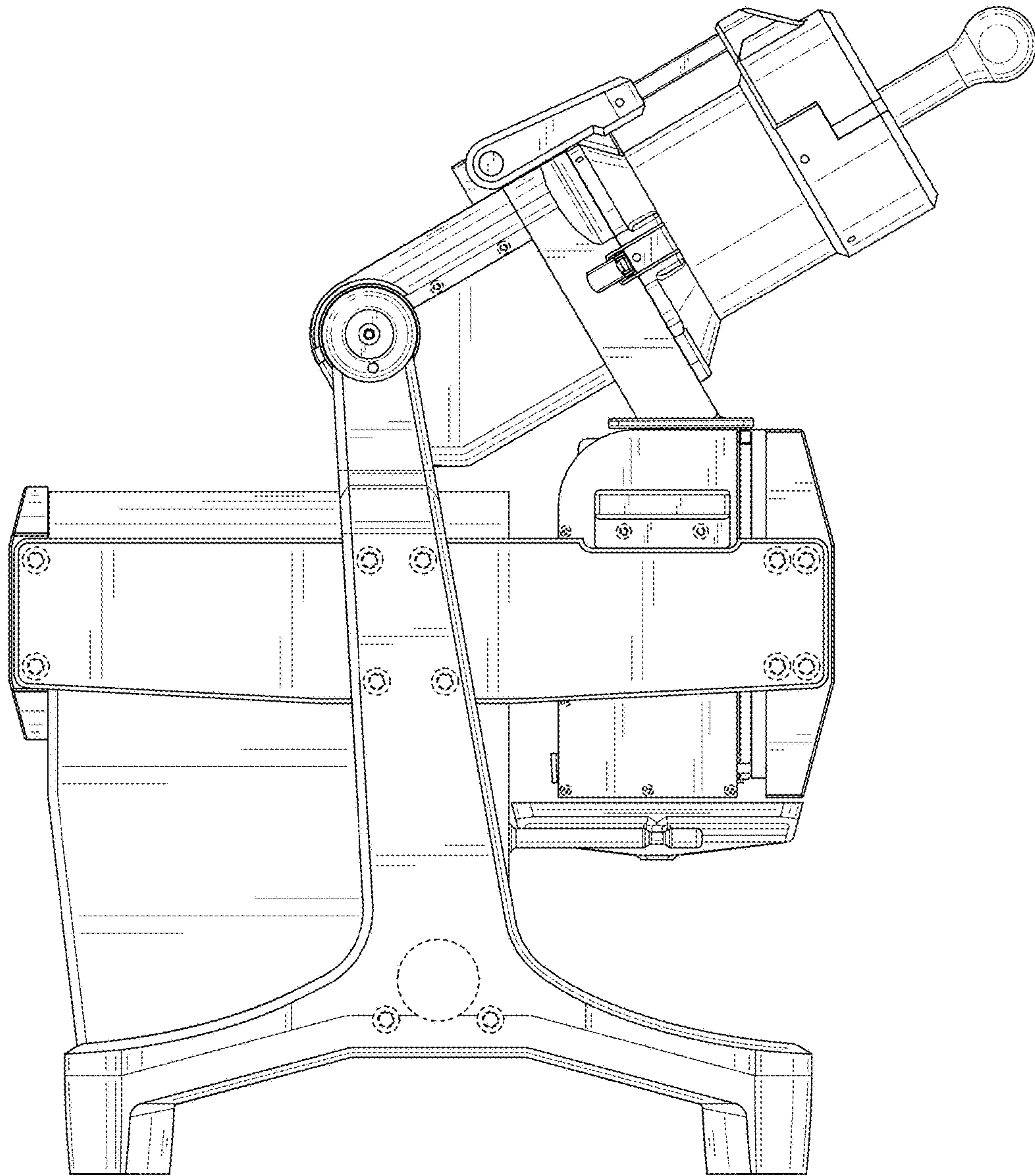


FIG. 4

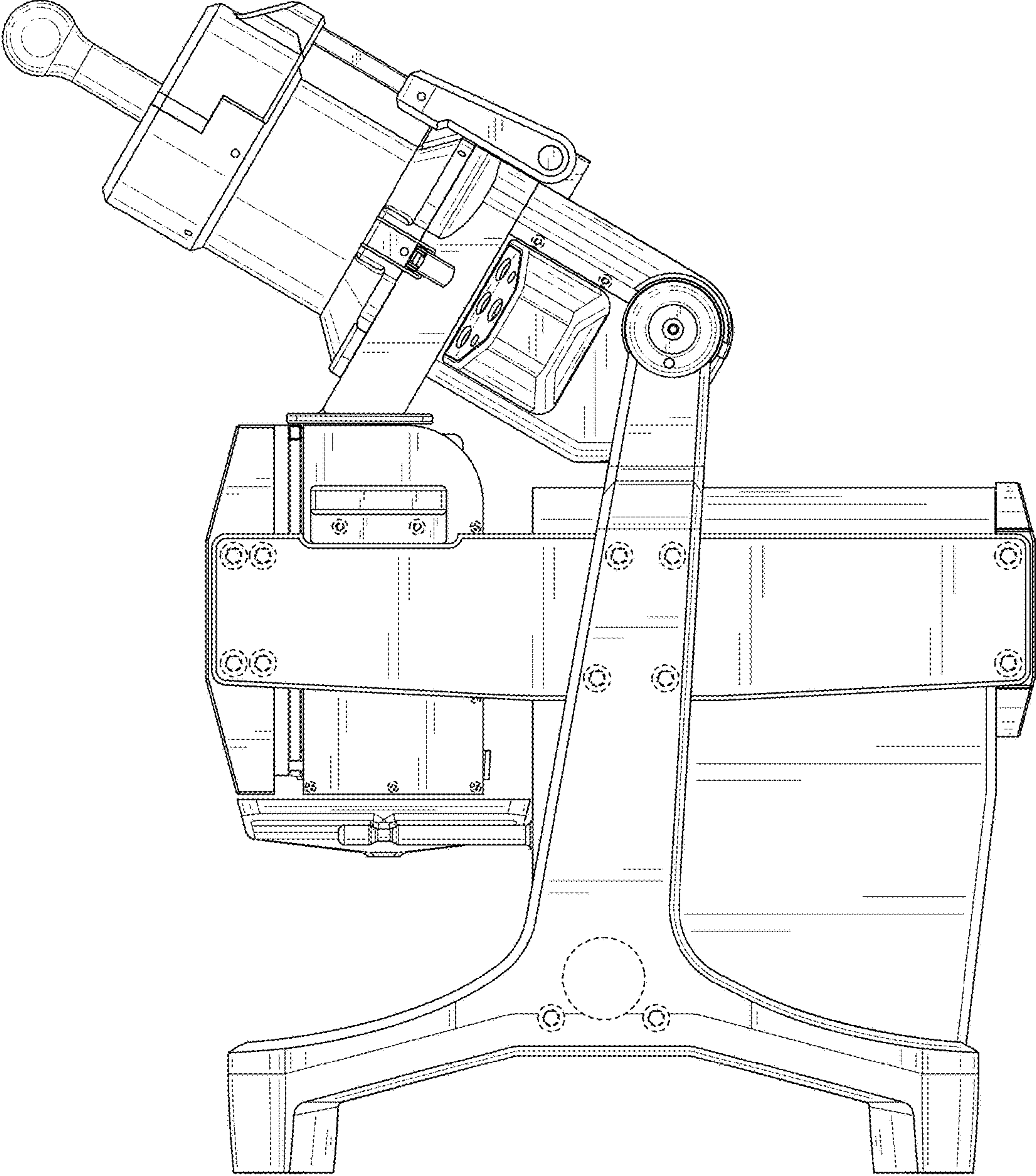


FIG. 5



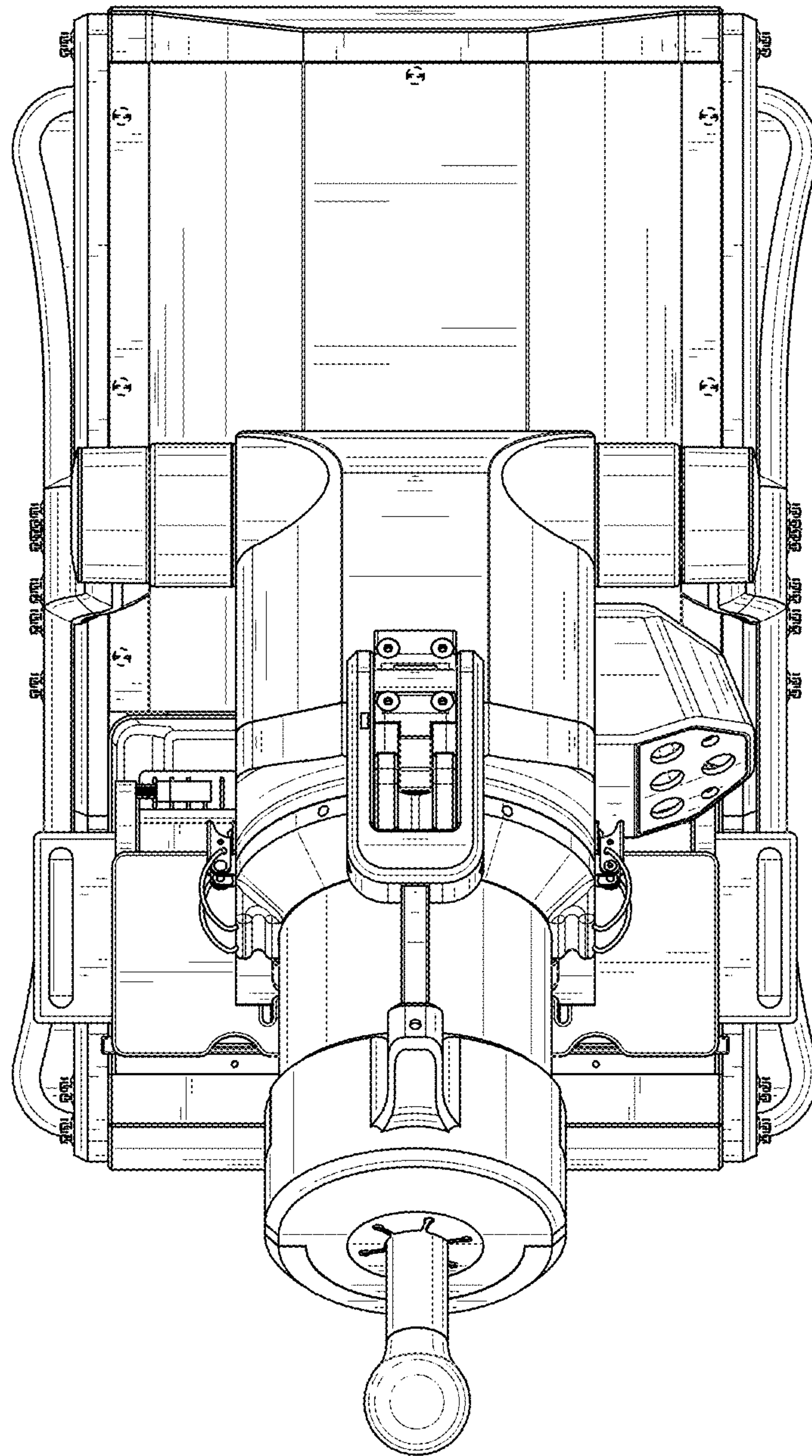


FIG. 6

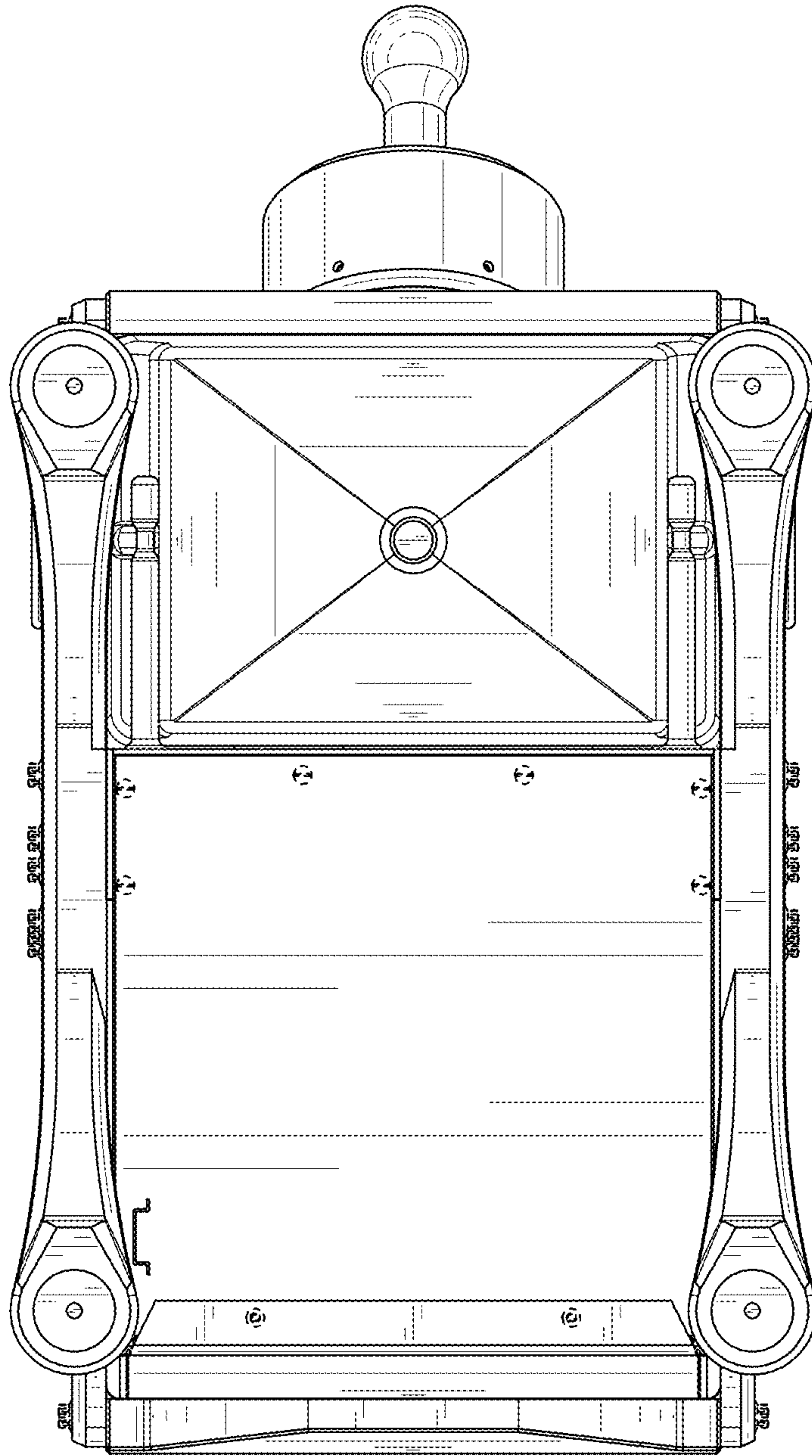


FIG. 7