



US00D841408S

(12) **United States Design Patent** (10) **Patent No.:** **US D841,408 S**
Isopahkala (45) **Date of Patent:** **** Feb. 26, 2019**

- (54) **SPOON**
- (71) Applicant: **Marimekko Oyj**
- (72) Inventor: **Mari Isopahkala, Helsinki (FI)**
- (73) Assignee: **Marimekko Oyj, Helsinki (FI)**
- (**) Term: **15 Years**
- (21) Appl. No.: **29/648,973**
- (22) Filed: **May 25, 2018**

Related U.S. Application Data

- (60) Continuation of application No. 29/613,508, filed on Aug. 10, 2017, now Pat. No. Des. 821,161, which is a continuation of application No. 29/584,180, filed on Nov. 11, 2016, now Pat. No. Des. 802,377, which is a continuation of application No. 29/543,386, filed on Oct. 23, 2015, now Pat. No. Des. 774,847, which is a division of application No. 29/459,889, filed on Jul. 3, 2013, now Pat. No. Des. 742,182.

(30) **Foreign Application Priority Data**

- Jan. 22, 2013 (EM) 002170118
- (51) **LOC (11) Cl.** **07-03**
- (52) **U.S. Cl.**
USPC **D7/653**; D7/401.2; D7/642; D7/645
- (58) **Field of Classification Search**
USPC D7/368, 401.2, 642-645, 647-649, D7/653-664, 669, 675-677, 683, D7/688-689, 691; D8/107, 300-301; D22/117-118
CPC ... A01D 9/02; A01D 9/04; A01D 9/06; A47G 21/00; A47G 21/004; A47G 21/005; A47G 21/02; A47G 21/023; A47G 21/04; A47G 21/06; A47G 21/08; A47J 43/28; A47J 43/281; A47J 43/282; A61F 13/10; A61J 7/0023; B25G 1/00; B25G 1/01;

B25G 1/02; B25G 3/00; B65D 75/56; B65D 75/563; B65D 75/566; B67B 7/00; B67B 7/38; B67B 7/724; B67B 7/73
See application file for complete search history.

(56) **References Cited**

U.S. PATENT DOCUMENTS

D231,893 S	6/1974	Manderfield	
D264,171 S *	5/1982	Velasco	D7/647
D323,957 S *	2/1992	Bouilhet	D7/653
D431,758 S *	10/2000	Junko	D7/653
D440,831 S	4/2001	Welch et al.	
D484,368 S	12/2003	Ito	
D485,734 S *	1/2004	Junko	D7/653
D489,944 S	5/2004	Shane-Schuldt	
D491,770 S	6/2004	Strange	
D575,116 S	8/2008	Williams	
D578,357 S *	10/2008	Shane-Schuldt	D7/653
D593,377 S	6/2009	Ito	
D618,054 S	6/2010	Richmond	
D619,857 S	7/2010	Williams	
D621,653 S	8/2010	Mandel	

(Continued)

Primary Examiner — Ricky Pham

(74) *Attorney, Agent, or Firm* — Myers Wolin, LLC

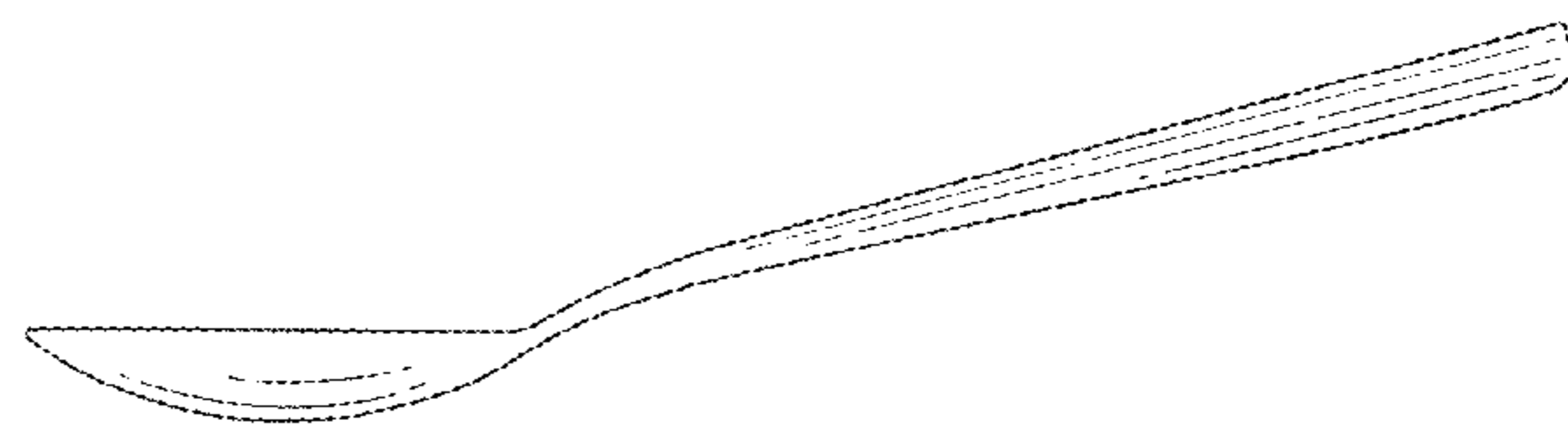
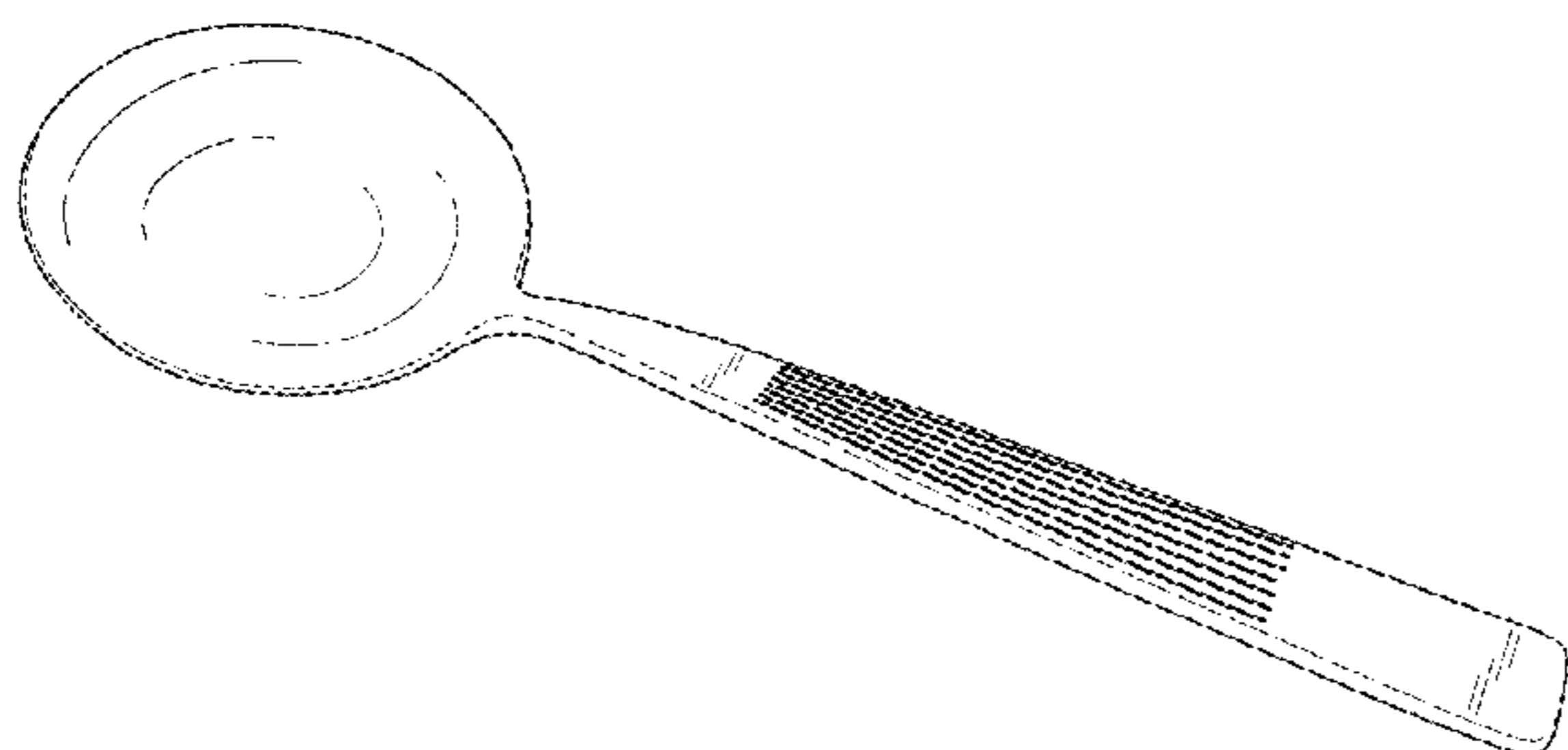
(57) **CLAIM**

The ornamental design for a spoon, as shown and described.

DESCRIPTION

FIG. 1 is a perspective view of a spoon showing my new design;
FIG. 2 is a top plan view thereof;
FIG. 3 is a bottom plan view thereof; and,
FIG. 4 is a left side view thereof, the right side being a mirror image.
The broken lines are for illustrative purposes only and form no part of the claimed design.

1 Claim, 1 Drawing Sheet



(56)

References Cited

U.S. PATENT DOCUMENTS

D625,555	S	*	10/2010	Ito	D7/401.2
D647,363	S		10/2011	Shane-Schuldt	
D656,781	S	*	4/2012	Holcomb	D7/401.2
D659,485	S		5/2012	Williams	
D659,486	S		5/2012	Williams	
D706,078	S	*	6/2014	Shane-Schuldt	D7/401.2
D742,182	S	*	11/2015	Isopahkala	D7/642
D774,847	S	*	12/2016	Isopahkala	D7/401.2
D777,532	S	*	1/2017	Wang	D7/401.2
D802,377	S	*	11/2017	Isopahkala	D7/649
D821,161	S	*	6/2018	Isopahkala	D7/653

* cited by examiner

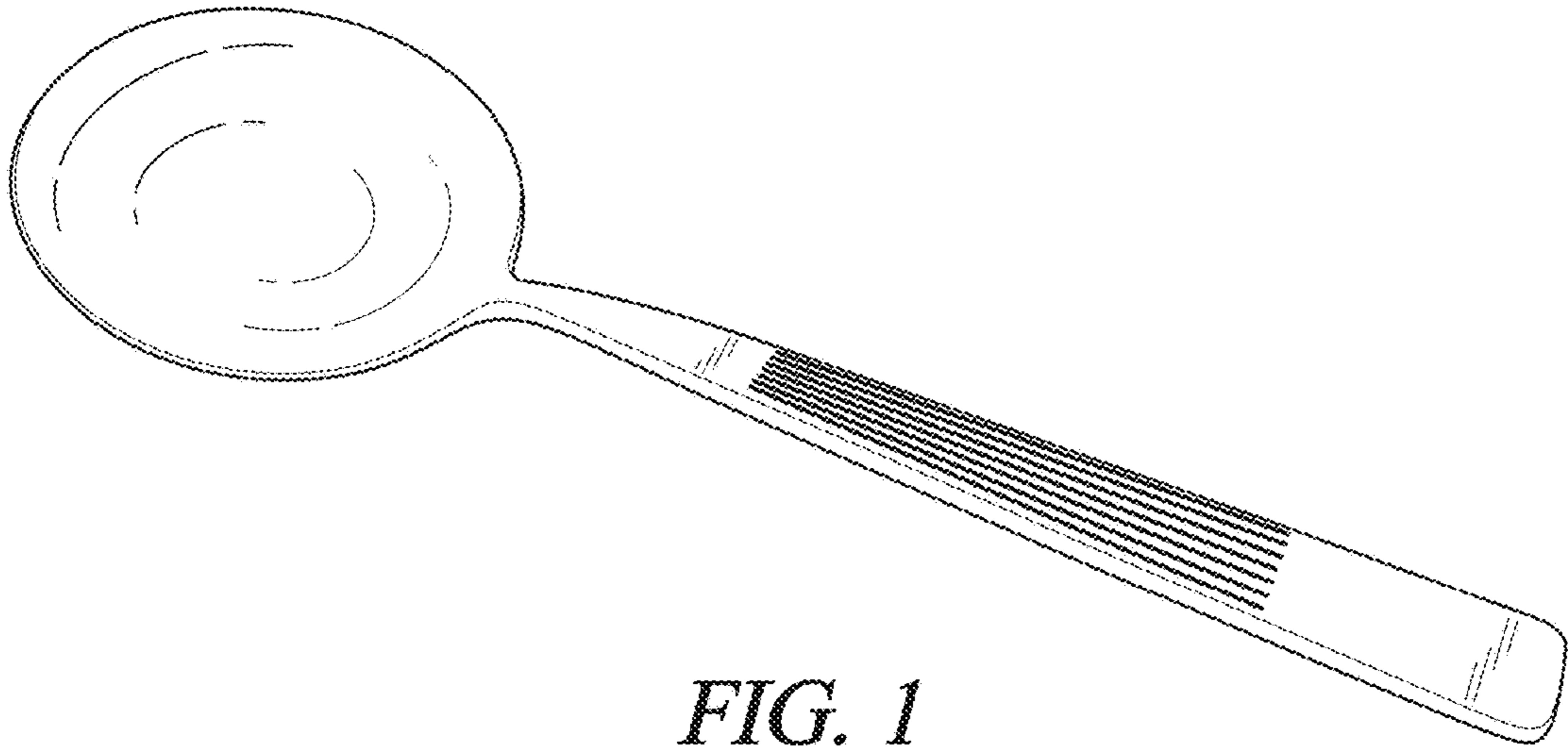


FIG. 1

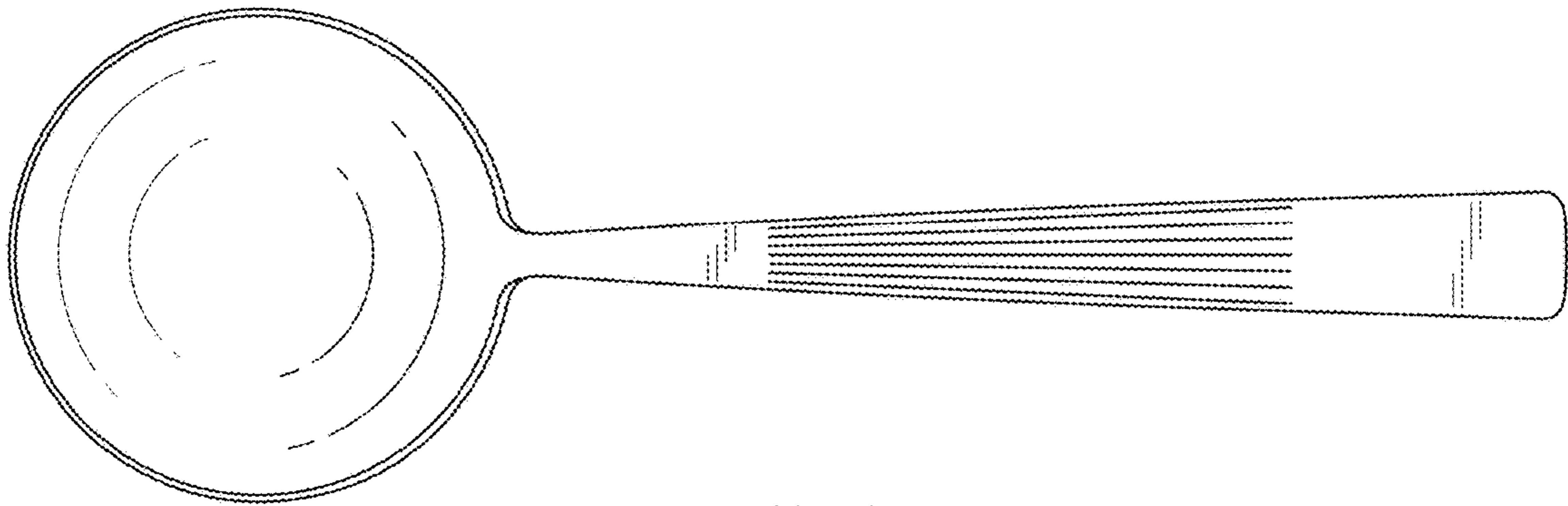


FIG. 2

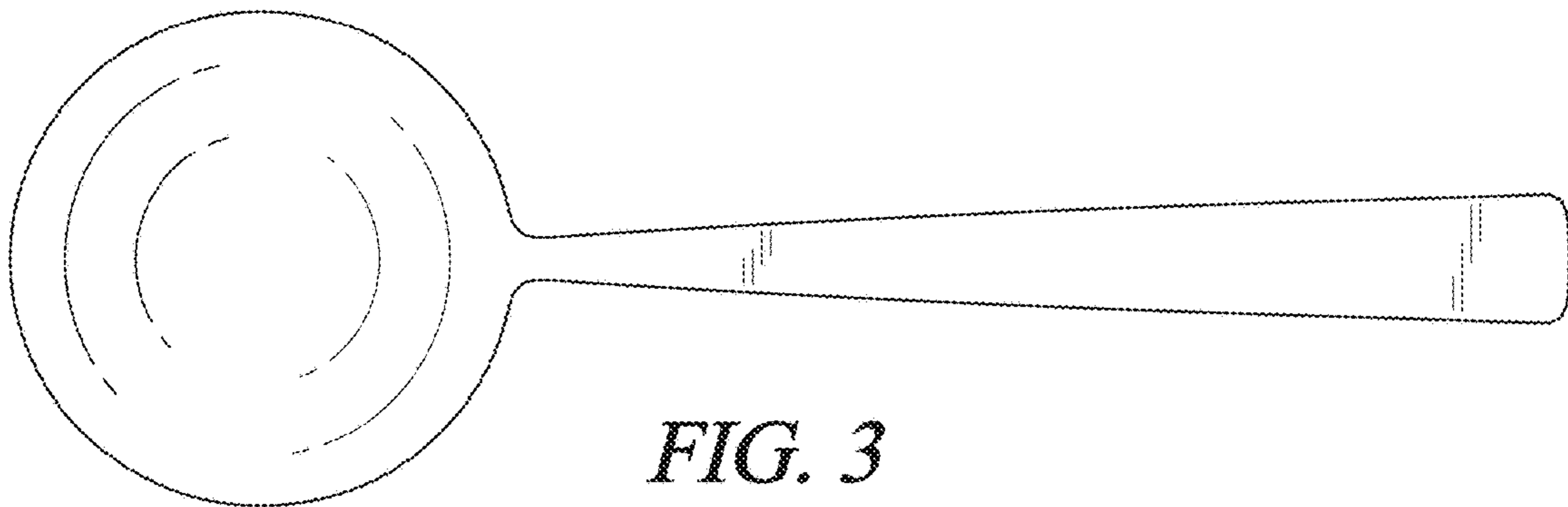


FIG. 3

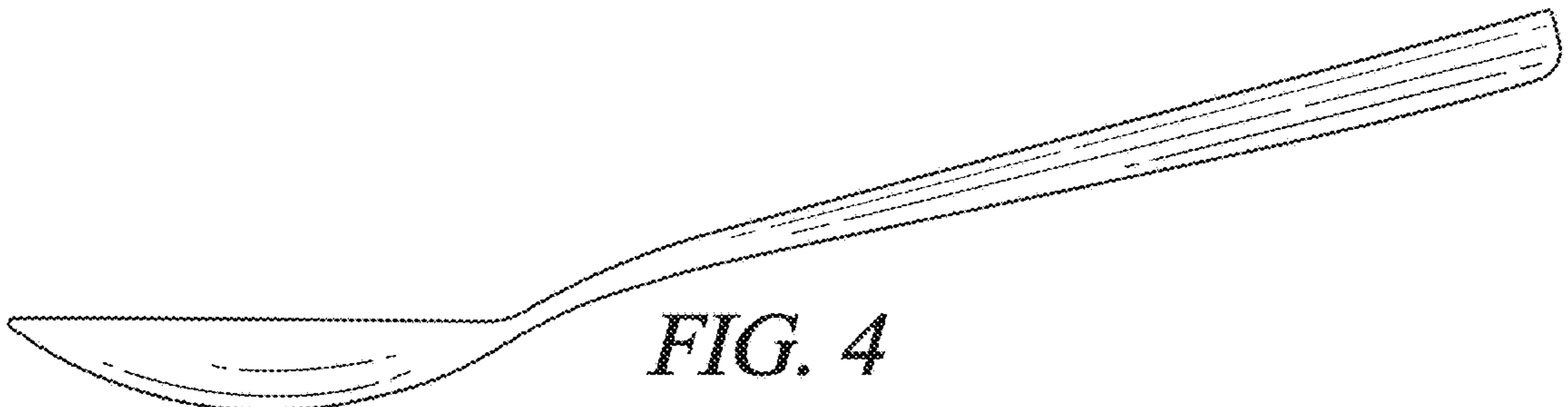


FIG. 4